

# 10' x 22' Pergola

Installation and Operating Instructions – YM11932

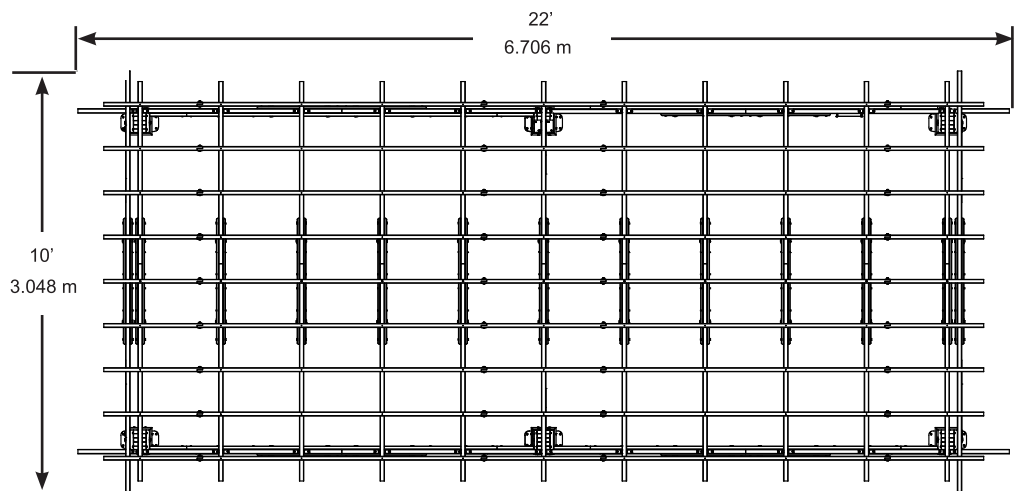


IMPORTANT, RETAIN FOR FUTURE REFERENCE: READ CAREFULLY

06-04-2021

**YARDISTRY**

Yardistry – North America  
Toll Free Customer Support:  
1.888.509.4382  
info@yardistrystructures.com  
www.yardistrystructures.com



Height: 7' 11-1/4" (2.419m)

## **Important Safety Notice!**

Yardistry components are intended for privacy, decorative and ornamental use only.

### **Product is NOT INTENDED for the following:**

- A safety barrier to prevent unsupervised access to pools, hot tubs, spas or ponds.
- As load bearing support for a building, structure, heavy objects or swings.
- Used in structures that trap wind, rain or snow that would create extra load on the product.

### **Accumulated snow must be removed from roof.**

**DO NOT** climb or walk on roof for any reason.

**Permanent structures may require a building permit.** As the purchaser and or installer of this product you are advised to consult local planning, zoning and building inspection departments for guidance on applicable building codes and/or zoning requirements.

**Wood is NOT flame retardant and will burn.** Grills, fire pits and chimineas are a fire hazard if placed too close to a Yardistry structure. Consult user's manual of the grill, fire pit or chimnea for safe distances from combustible materials.

**Wear gloves to avoid injury** from possible sharp edges of individual elements before assembly.

**During installation, follow all safety warnings provided with your tools and use OSHA approved safety glasses.** Some structures may require two or more people to install safely.

**Check for underground utilities before digging or driving stakes into the ground!**

**It is important during assembly to closely follow the instructions,** complete the assembly on a solid level surface and that you follow the instruction to square up, level and anchor the structure, this will reduce the gap at wood connections during assembly.

## **General Information**

**General Information:** Wood components are manufactured with Cedar (C. Lanceolata) which is protected with factory applied water-based stain. Knots, small checks (cracks) and weathering are naturally occurring and do not affect the strength of the product. Annual application of a water-based water repellent sealant or stain is important and will help reduce weathering and checks.

[www.yardistrystructures.com](http://www.yardistrystructures.com)

Questions?

Call toll free or write us at:

1 (888) 509-4382

[info@yardistrystructures.com](mailto:info@yardistrystructures.com)

Patents Pending

# Limited Warranty

Yardistry warrants that this product is free from defect in materials and workmanship for a period of one (1) year from the original date of purchase. In addition, for any product with lumber, all lumber is warranted for five (5) years against rot and decay. This warranty applies to the original owner and registrant and is non-transferable.

Regular maintenance is required to assure the integrity of your product and is a requirement of the warranty. This warranty does not cover any inspection costs.

**This Limited Warranty does not cover:**

- Labour for replacement of any defective item(s);
- Incidental or consequential damages;
- Cosmetic defects which do not affect performance or integrity;
- Vandalism; improper use or installation; acts of nature, including but not limited to wind, storms, hail, floods, excessive water exposure;
- Minor twisting, warping, checking or any other natural occurring properties of wood that do not affect performance or integrity.

Yardistry products have been designed for safety and quality. Any modifications made to the original product could damage the structural integrity of the product leading to failure and possible injury. Yardistry cannot assume any responsibility for modified products. Furthermore, modification voids any and all warranties.

**This product is warranted for RESIDENTIAL USE ONLY. Yardistry disclaims all other representations and warranties of any kind, express or implied.**

*This Warranty gives you specific legal rights. You may have other rights as well which vary from state to state or province to province. This warranty excludes all consequential damages, however, some states/provinces do not allow the limitation or exclusion of consequential damages, and therefore this limitation may not apply to you.*

# Instructions for Proper Maintenance

Your Yardistry structure is designed and constructed of quality materials. As with all outdoor products it will weather and wear. To maximize the enjoyment, safety and life of your structure it is important that you, the owner, properly maintain it.

## HARDWARE:

- Check metal parts for rust. If found, sand and repaint using a non-lead paint complying with 16 CFR 1303.
- Inspect and tighten all hardware after completion of assembly; after first month of use; and then annually. Do not over-tighten as to cause crushing and splintering of wood.
- Check for sharp edges or protruding screw threads, add washers if required.

## WOOD PARTS:

- Applying a water repellent or stain (water-based) on a yearly basis is important maintenance to maintain maximum life and performance of the product.
- Check all wood members for deterioration, structural damage and splintering. Sand down splinters and replace deteriorated wood members. As with all wood, some checking and small cracks in grain is normal
- Some gapping may occur at some wood connections.

## Assembly Guides

### Tools Required:

- Tape Measure
- Carpenters Level
- Standard or Cordless Drill
- 7/16", 1/2" & 9/16" Wrench
- 7/16", 1/2" & 9/16" Socket
- Ratchet
- Safety Glasses
- Adult Helper
- Safety Gloves
- Hard Hat
- 6' Step Ladder x 2
- Square

### Symbols:

Throughout these instructions symbols are provided in the top, right-hand corner of the page.



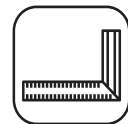
- Use Help, where this is shown, 2, 3 or 4 people are required to safely complete this step. To avoid injury or damage to the assembly make sure to get some help.



- Use a measuring tape to assure proper location



- Pre-drill a pilot hole before fastening screw or lag to prevent splitting of wood.



- Check that assembly is square before tightening bolts

**If you dispose of your Yardistry structure:** Please disassemble and dispose of your unit so that it does not create any unreasonable hazards at the time it is discarded. Be sure to follow your local waste ordinances.

## Assembly Tips

Following are some helpful tips to make the assembly process smooth and efficient.

### PRE-ASSEMBLIES:

(i.e. Post and Beam Assemblies, Roof Rafter Assembly, etc)

- Work on a raised, solid and flat surface such as, a table or saw horse.
- Keep all connections flush where shown in the instructions.
- When assembling the beams keep parts flat, straight and snug when connecting.

# Permanent Installation Examples

**Note: It is critically important you start with square, solid and level footings, concrete pad or deck to attach your Pergola.**

We supply Post Mounts with this structure which gives you the flexibility to permanently install your structure to a pre-existing or new wood or concrete surface.

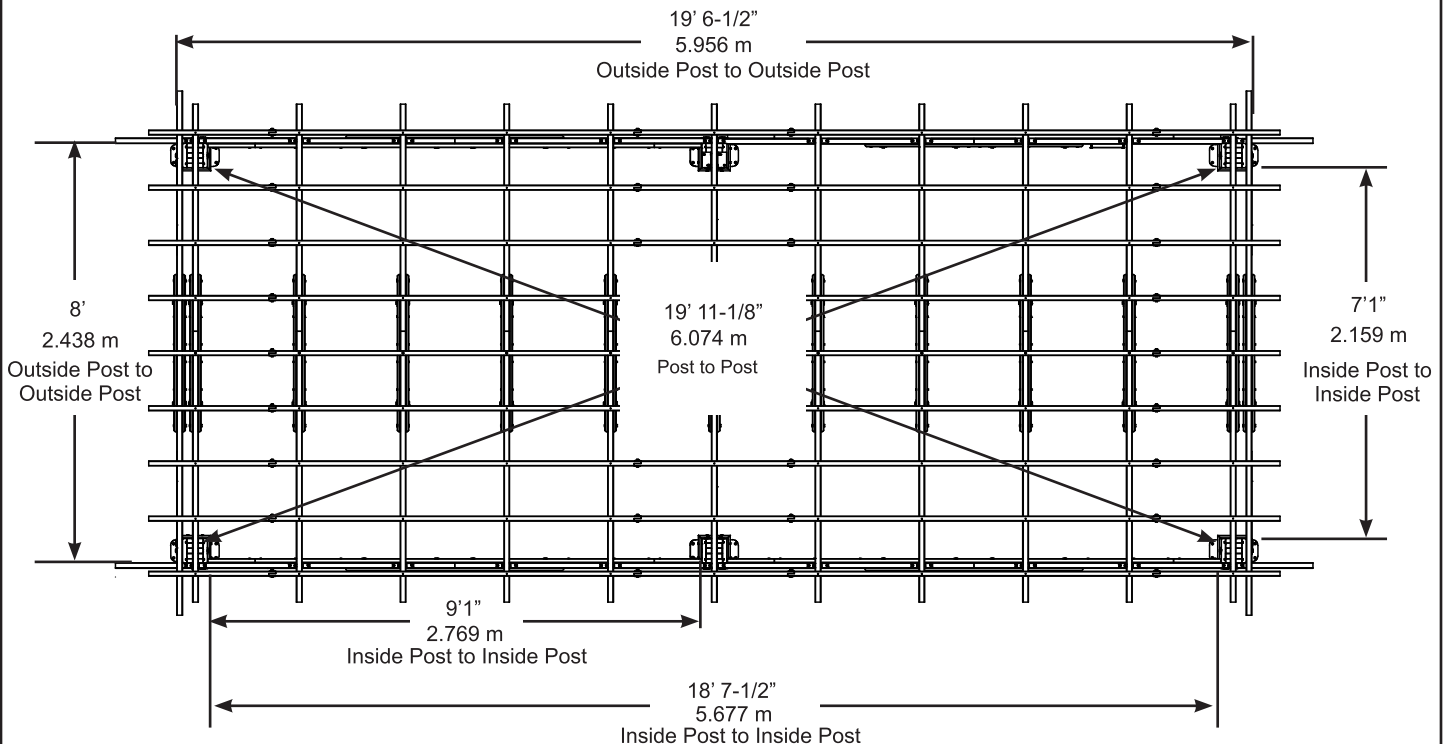
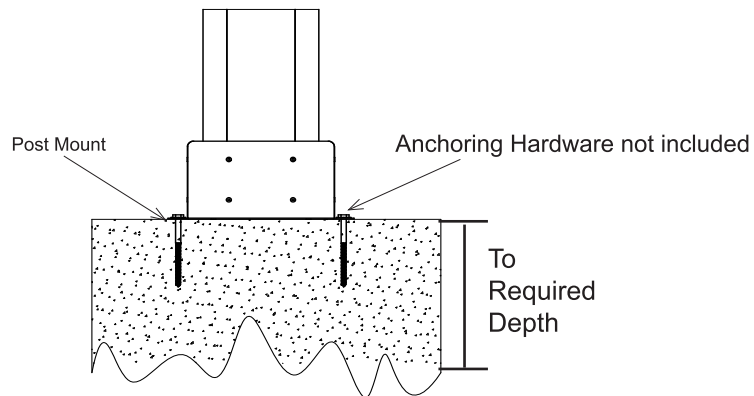
- The hardware to attach the Post Mount to the structure is included.
- The hardware to mount the structure permanently will need to be purchased separately at your local hardware store.

If you are mounting to concrete footers see below for the correct locations and placement. Please double check for possibility of any underground utilities such as gas, telephone, cable or sprinkler lines.

Following are some examples of how to mount the structure to wood or concrete surfaces.

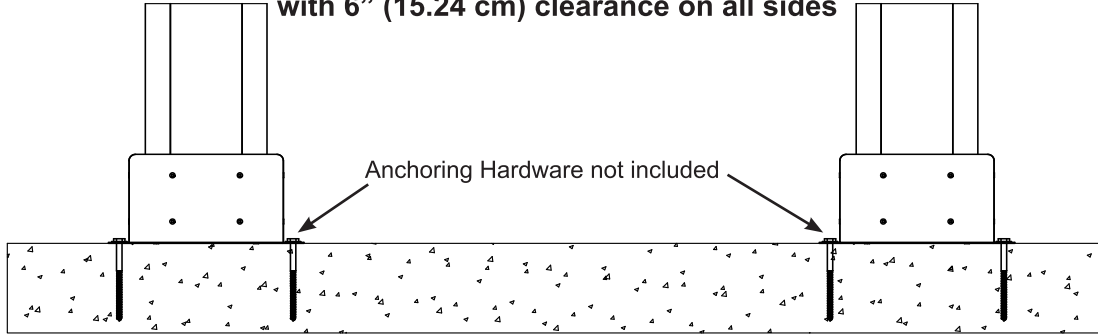
Refer to your local building and city codes, ordinances, neighbourhood covenants, or height restrictions regarding this type of structure for guidance on acceptable installation requirements.

## Concrete Footer

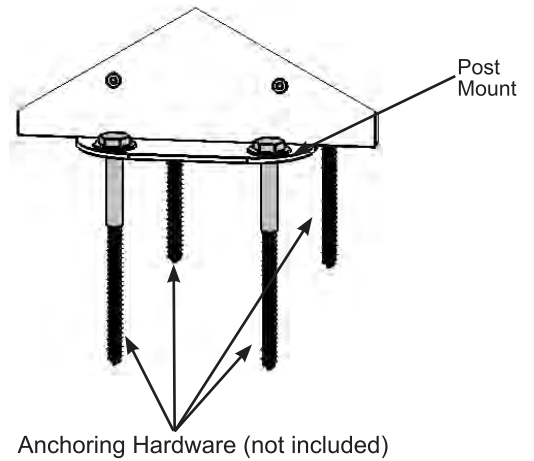
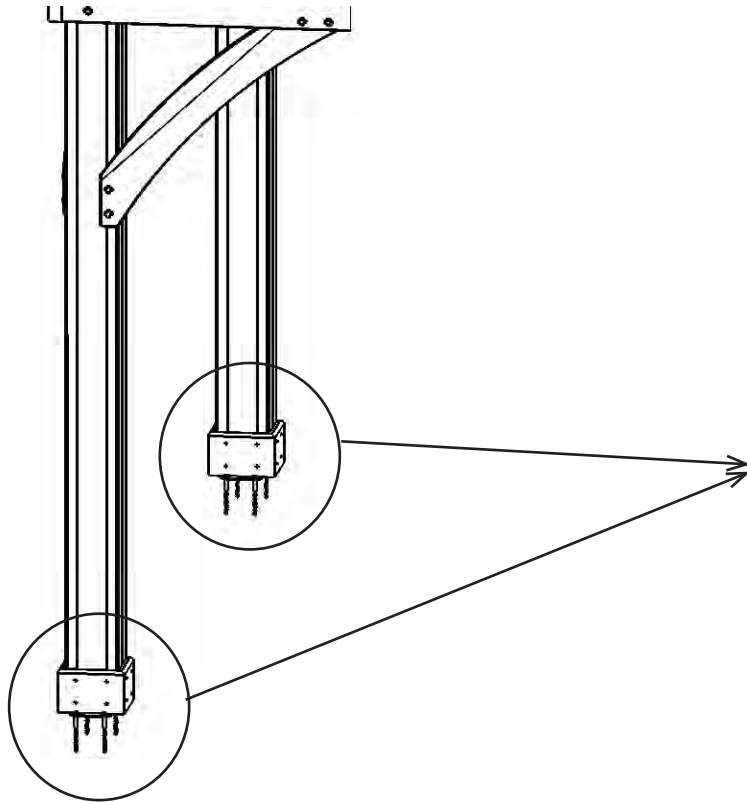
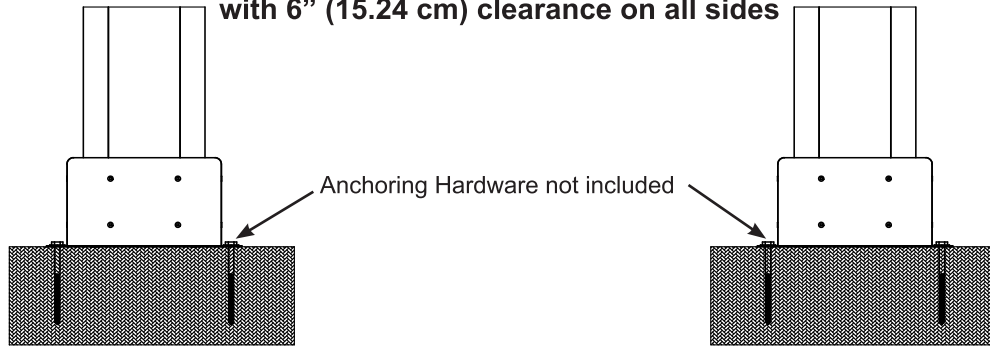


## Permanent Installation Examples cont.

**Concrete Patio [min. 20' 6-1/2" x 9' (6.261 m x 2.743 m)]  
with 6" (15.24 cm) clearance on all sides**



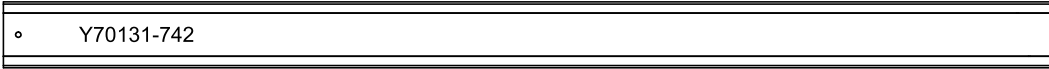
**Wood Deck [min. 20' 6-1/2" x 9' (6.261 m x 2.743 m)]  
with 6" (15.24 cm) clearance on all sides**



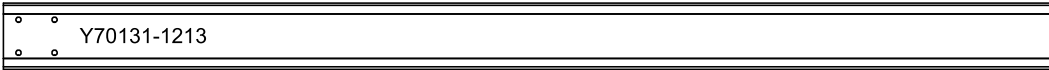
**Post Mounts have a 1/2" (1.27 cm) diameter hole for anchoring hardware.**

# Part Identification (Dimensions are approximate and are shown to assist in the identification of parts for assembly. Actual dimensions may be smaller or larger.)

**4pc. (742) - Block Post 88" (2235.2mm)**



**2pc. (1213) - Mid Block Post 88" (2235.2mm)**



**4pc. (1022) - Long Splice 48" (1219.2mm)**

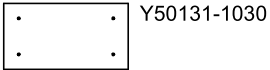


**24pc. (738) - Plinth 7" (177.8mm)**

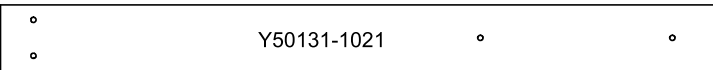
**4pc. (1029) - Beam Support 88" (2235.2mm)**



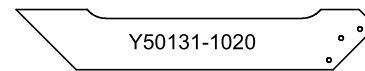
**8pc. (1030) - Beam End Support 10-3/8" (263.5mm)**



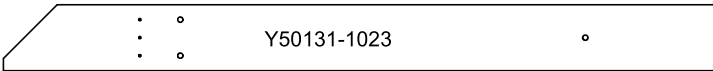
**4pc. (1021) - F/B Beam 60" (1524mm)**



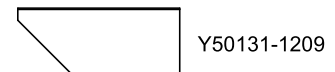
**12pc. (1020) - Gusset 30" (762mm)**



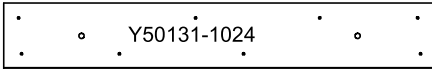
**4pc. (1023) - Side Beam 60" (1524mm)**



**4pc. (1209) - Beam Ends 13-1/2" (342.9mm)**



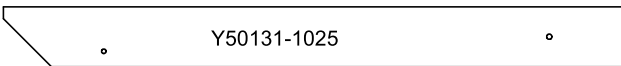
**4pc. (1024) - Short Splice 36" (914.4mm)**



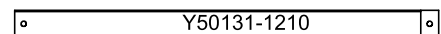
**2pc. (1212) - Mid Gusset 17" (431.8mm)**



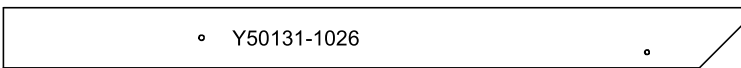
**11pc. (1025) - Trellis Beam A 52" (1320.8mm)**



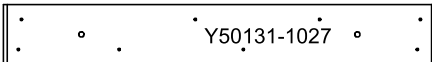
**9pc. (1210) - Mid Trellis 35-5/16" (897.4mm)**



**11pc. (1026) - Trellis Beam B 62" (1574.8mm)**



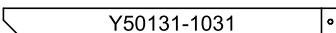
**22pc. (1027) - Trellis Splice 36" (914.4mm)**



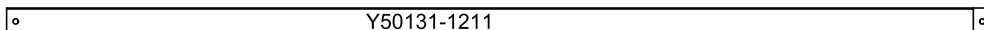
**4pc. (1208) - Mid Beam 57-1/4" (1454.2mm)**



**18pc. (1031) - Short Trellis 28" (711.2mm)**



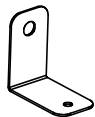
**18pc. (1211) - Long Trellis 82-1/16" (2084.3mm)**



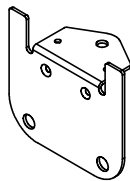


# Hardware Identification ( Dimensions are approximate and are shown to assist in the identification of parts for assembly. Actual dimensions may be smaller or larger. )

1pc. Gazebo ID Plaque (Y70800-104)



1pc. Trellis Bracket Set (44 pk) (Y70829-474)

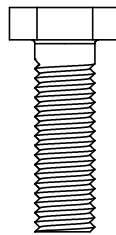


1pc. Post Mount Set (8 pk) (Y70819-109)

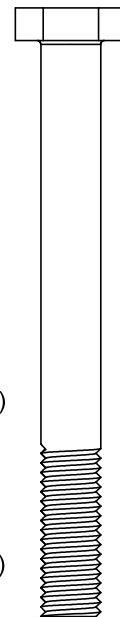
1pc. Post Mount Set (4 pk) (Y70819-216)



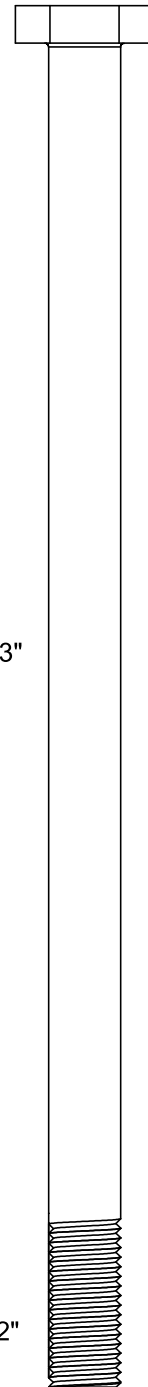
1pc. - 1/8" Drill Bit (Y00400-002)



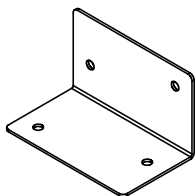
12pc. Hex Bolt 5/16 x 1" (Y07718-310)



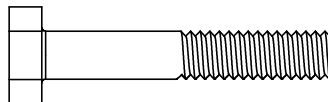
16pc. Hex Bolt 5/16 x 3" (Y07718-330)



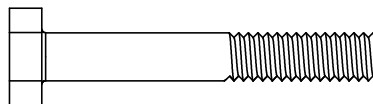
26 pc. Hex Bolt 5/16 x 2-1/2" (Y07718-322)



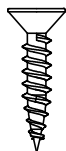
2pc. Large Corner Bracket (2 pk) (Y70829-469)



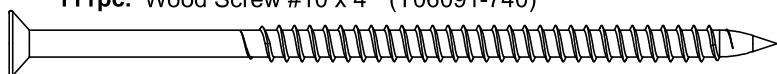
36 pc. Hex Bolt 1/4 x 1-1/2" (Y07718-212)



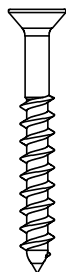
22 pc. Hex Bolt 1/4 x 1-3/4" (Y07718-213)



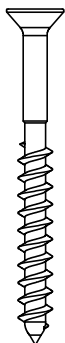
24pc. Wood Screw #7 x 3/4" (Y06091-003)



111pc. Wood Screw #10 x 4" (Y06091-740)



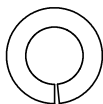
360pc. Wood Screw #8 x 1-1/2" (Y06091-512)



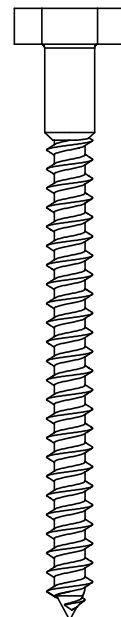
72pc. Wood Screw #8 x 1 3/4" (Y06091-513)



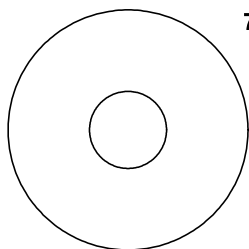
58pc. - 1/4" Lock Nut (Y08318-203)



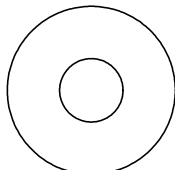
54pc. 5/16" Lock Washer (Y05318-300)



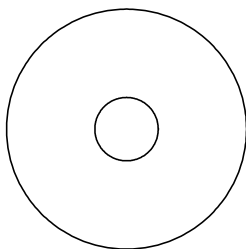
60pc. Lag Screw (1/4" Shank) 5/16 x 3" (Y06218-330)



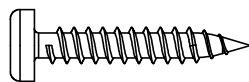
32pc. 3/8 x 1-1/4" Large Washer (Y05118-811)



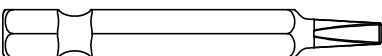
16pc. 5/16" Flat Washer (Y05118-203)



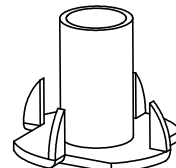
170pc. 1/4-5/16 x 1-1/4" Large Washer (Y05118-311)



62pc. Pan Screw #10 x 1-1/4" (Y06491-711)



1pc. #2 x 2" Robertson Driver (Y00400-005)



54pc. 5/16 - T-Nut (Y08518-300)



16pc. - 3/8" Lock Nut (Y08318-803)

# Step 1: Inventory Parts - Read This Before Starting Assembly



- A.** This is the time for you to inventory all your hardware, wood and accessories, referencing the parts identification sheets. This will assist you with your assembly.
- Each step indicates which bolts and/or screws you will need for assembly, as well as any flat washers, lock washers, t-nuts or lock nuts.
- B.** If there are any missing or damaged pieces or you need assistance with assembly please contact the consumer relations department directly. Call us before going back to the store.

**1-888-509-4382**

**support@yardistrystructures.com**

- C.** Read the assembly manual completely, paying special attention to ANSI warnings; notes; and safety/maintenance information on pages 1 - 4.
- Follow the instructions in order.
  - This structure is designed to be assembled and installed ideally by four people, DO NOT attempt to install alone.
  - Consider the slope of elevation where you plan to install the structure. Also, check for gas, telephone, other utilities or sprinkler line locations prior to excavating any holes.
- D.** Before you discard your cartons fill out the form below.
- The carton I.D. stamp is located on the end of each carton.
  - Please retain this information for future reference. You will need this information if you contact the Consumer Relations Department.

**PRODUCT NUMBER: YM11932**

CARTON I.D. STAMP: _ _ _ _ _ (Box 1)
CARTON I.D. STAMP: _ _ _ _ _ (Box 2)
CARTON I.D. STAMP: _ _ _ _ _ (Box 3)
CARTON I.D. STAMP: _ _ _ _ _ (Box 4)
CARTON I.D. STAMP: _ _ _ _ _ (Box 5)

# Step 2: Post Assemblies

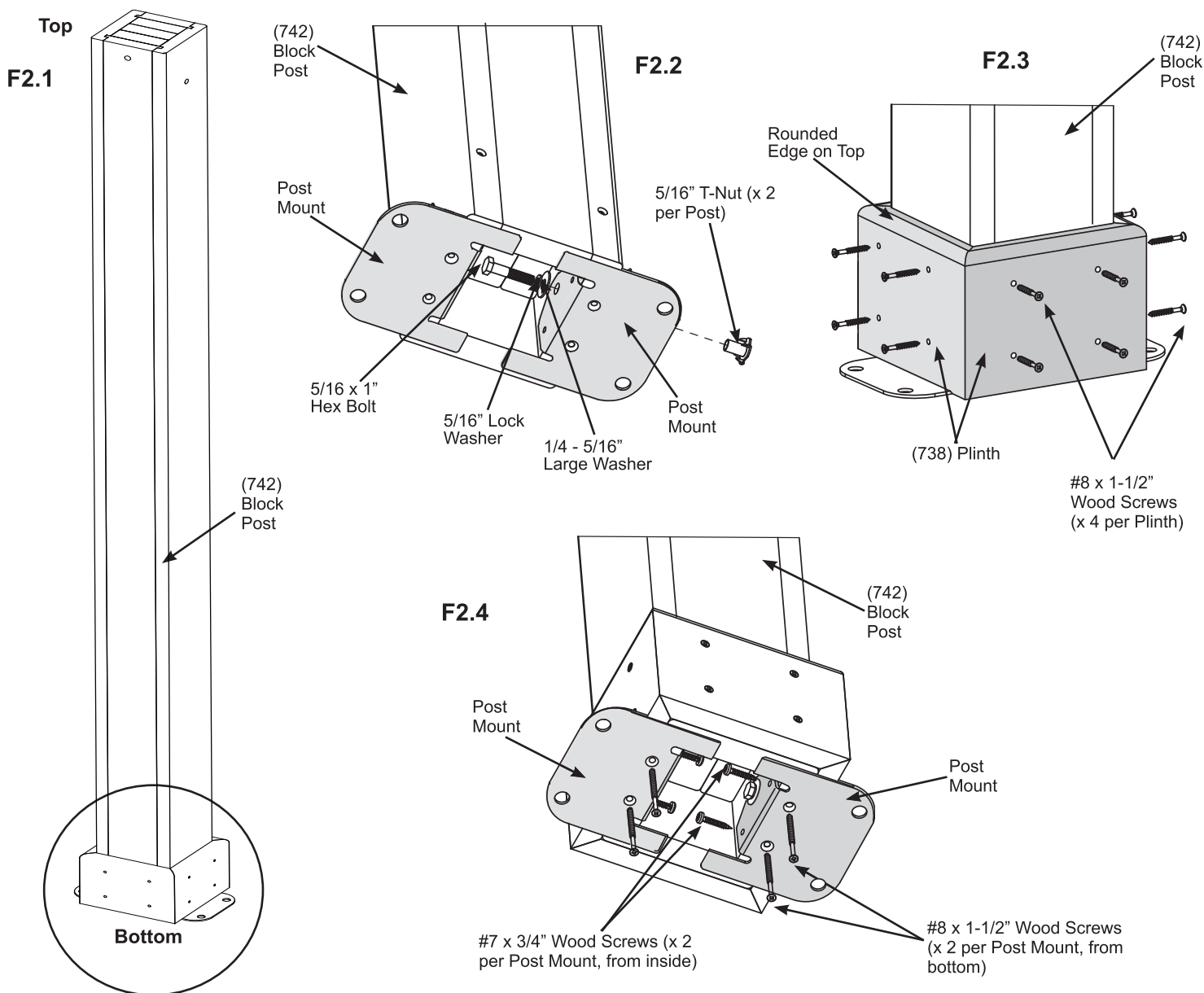
## Part 1 - Main Posts

**A:** At the bottom of each (742) Block Post insert two 5/16" T-Nuts as shown in F2.1 and F2.2.

**B:** At the bottom of each (742) Block Post place two Post Mounts tight to the bottom and inside faces as shown in F2.1 and F2.2. Loosely attach with one 5/16 x 1" Hex Bolt (with 5/16" lock washer and 1/4-5/16" large washer) per mount so they connect to the T-Nuts.

**C:** On each side of the posts, place one (738) Plinth flush to the bottom and attach with four #8 x 1-1/2" Wood Screws per plinth. Rounded edges on top. (F2.1 and F2.3)

**D:** From the bottom of each Post Mount attach to posts with two #8 x 1-1/2" Wood Screws per mount and then from the inside with two #7 x 3/4" Wood Screws per mount. These screws are installed at a slight angle. Tighten all bolts. There will be four Main Post Assemblies. (F2.4)



### Wood Parts

4 x (742) Block Post  
16 x (738) Plinth

### Hardware

16 x #7 x 3/4" Wood Screw  
80 x #8 x 1-1/2" Wood Screw  
8 x Post Mount

8 x 5/16" T-Nut  
8 x 5/16 x 1" Hex Bolt  
(with 5/16" lock washer, 1/4-5/16" large washer)

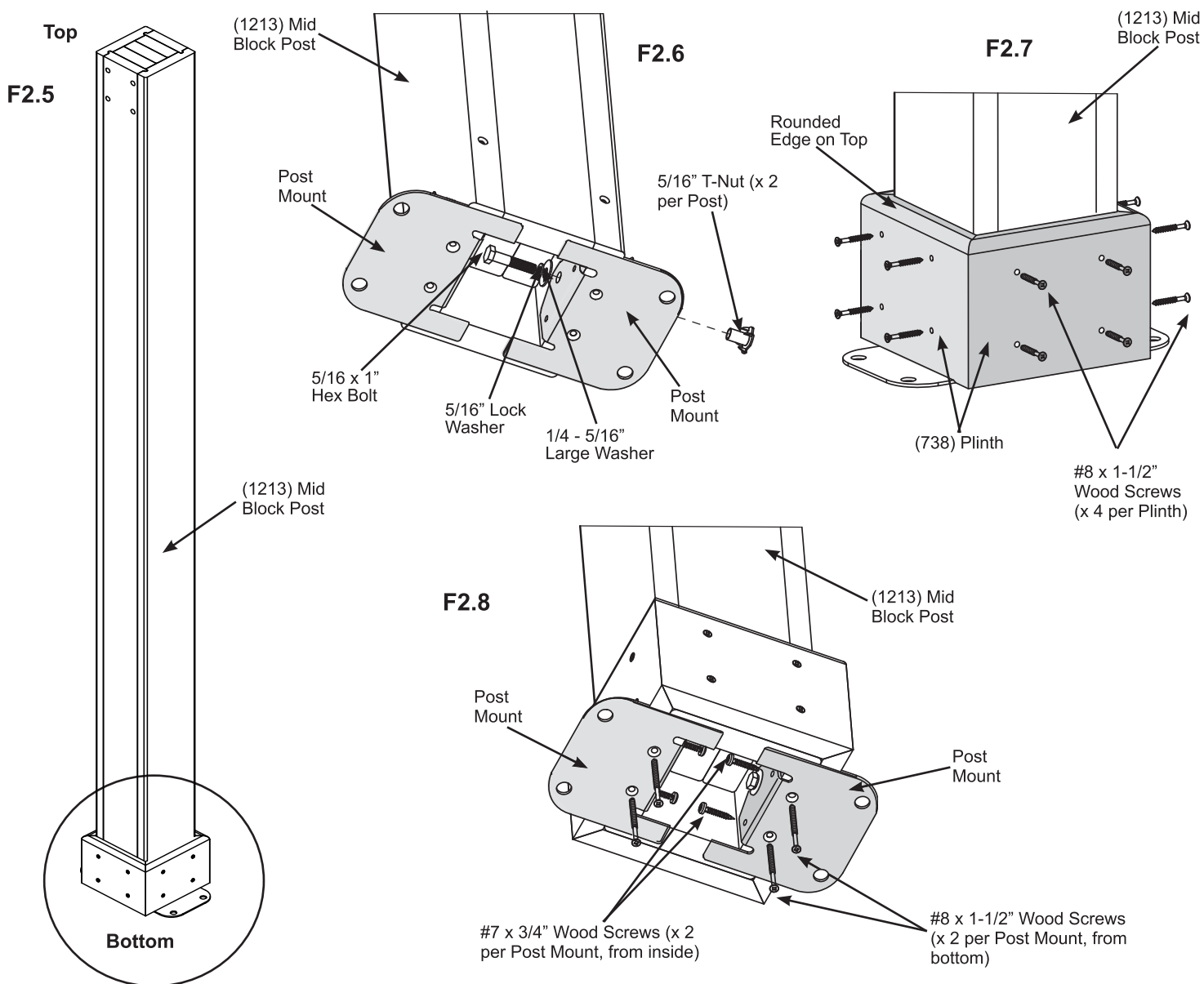
## Step 2: Post Assemblies Part 2 - Mid Posts

**E:** At the bottom of each (1213) Mid Block Post insert two 5/16" T-Nuts as shown in F2.5 and F2.6.

**F:** At the bottom of each (1213) Mid Block Post place two Post Mounts tight to the bottom and inside faces as shown in F2.5 and F2.6. Loosely attach with one 5/16 x 1" Hex Bolt (with 5/16" lock washer and 1/4-5/16" large washer) per mount so they connect to the T-Nuts.

**G:** On each side of the posts, place one (738) Plinth flush to the bottom and attach with four #8 x 1-1/2" Wood Screws per plinth. Rounded edges on top. (F2.5 and F2.7)

**H:** From the bottom of each Post Mount attach to posts with two #8 x 1-1/2" Wood Screws per mount and then from the inside with two #7 x 3/4" Wood Screws per mount. These screws are installed at a slight angle. Tighten all bolts. There will be two Mid Post Assemblies. (F2.8)



### Wood Parts

2 x (1213) Mid Block Post  
8 x (738) Plinth

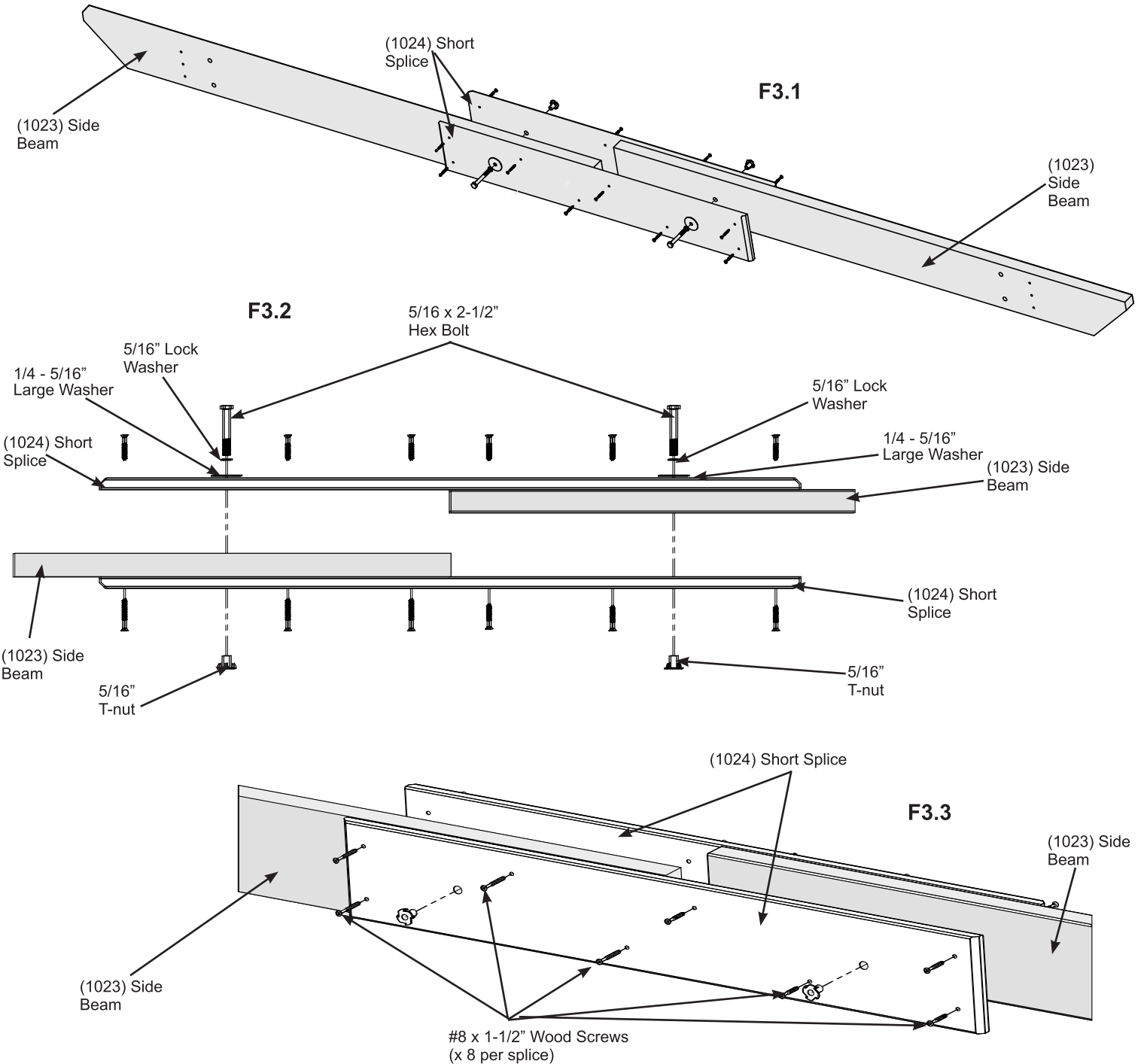
### Hardware

8 x #7 x 3/4" Wood Screw  
40 x #8 x 1-1/2" Wood Screw  
4 x Post Mount  
4 x 5/16" T-Nut  
4 x 5/16 x 1" Hex Bolt  
(with 5/16" lock washer, 1/4-5/16" large washer)

# Step 3: Short Beam Assembly Part 1

**A:** Place two (1023) Side Beams tight together then place one (1024) Short Splice on each side, lining up the bolt holes. Attach with two 5/16 x 2-1/2" Hex Bolts (with 5/16" lock washer, 1/4-5/16" large washer and 5/16" t-nut). (F3.1, F3.2 and F3.3)

**B:** Attach each (1024) Short Splice to (1023) Side Beams with eight #8 x 1-1/2" Wood Screws per splice. (F3.1, F3.2 and F3.3)



## Wood Parts

- 4 x (1023) Side Beam
- 4 x (1024) Short Splice

## Hardware

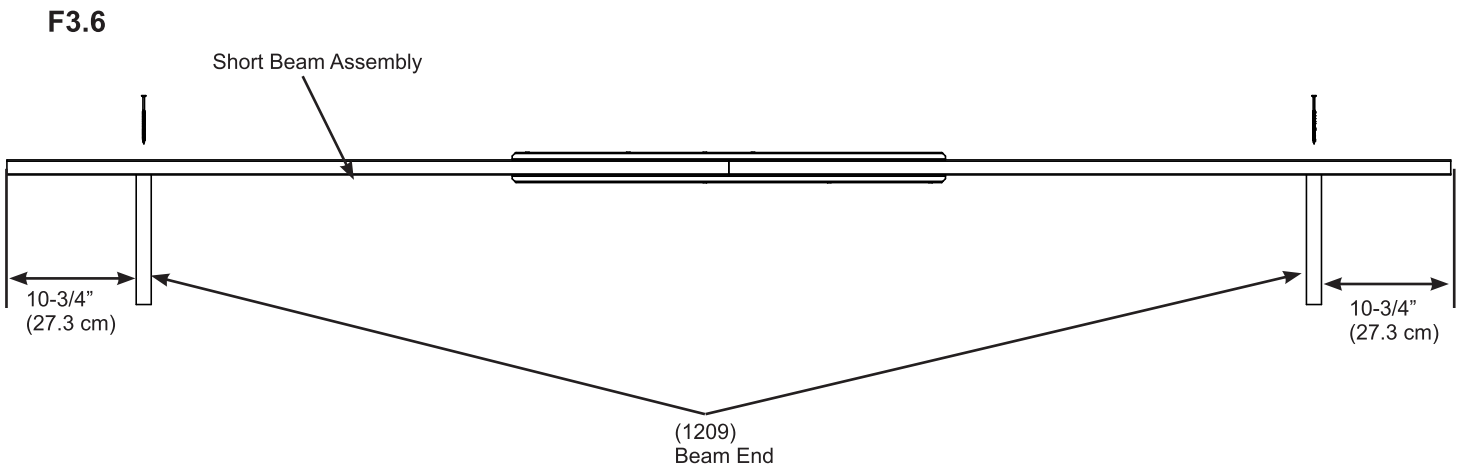
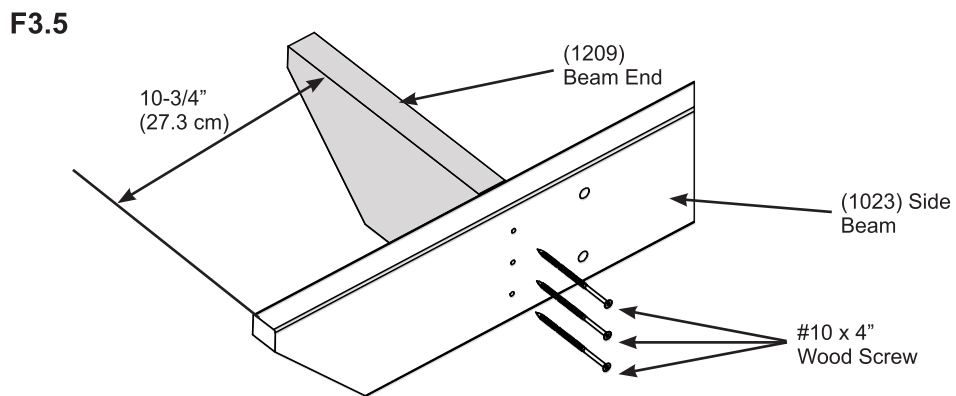
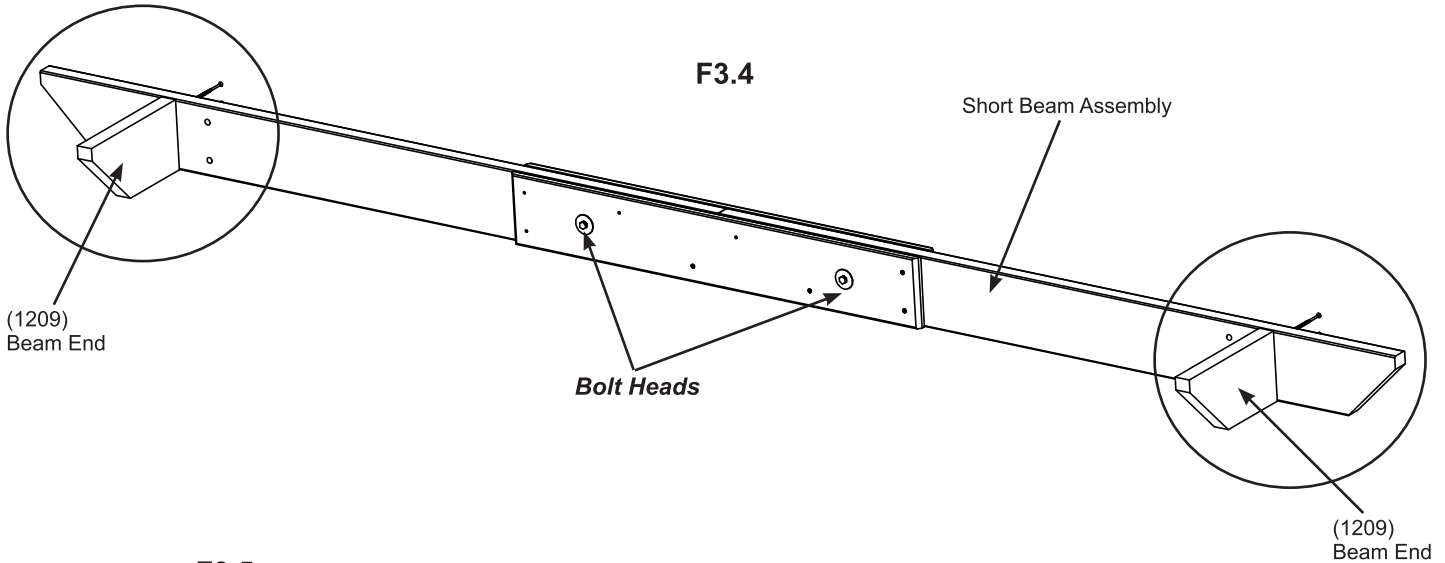
- 4 x 5/16 x 2-1/2" Hex Bolt  
(5/16" lock washer, 1/4-5/16" large washer, 5/16" t-nut)
- 32 x #8 x 1-1/2" Wood Screw

# Step 3: Short Beam Assembly Part 2



**C:** At each end of the Short Beam Assembly measure 10-3/4" (27.3 cm) from the long edge of (1023) Side Beam and place one (1209) Beam End on the side with the bolt heads. Attach with three #10 x 4" Wood Screws per end. (F3.4 F3.5 and F3.6)

**D:** Repeat Steps A - C to make a second Short Beam Assembly.



### Wood Parts

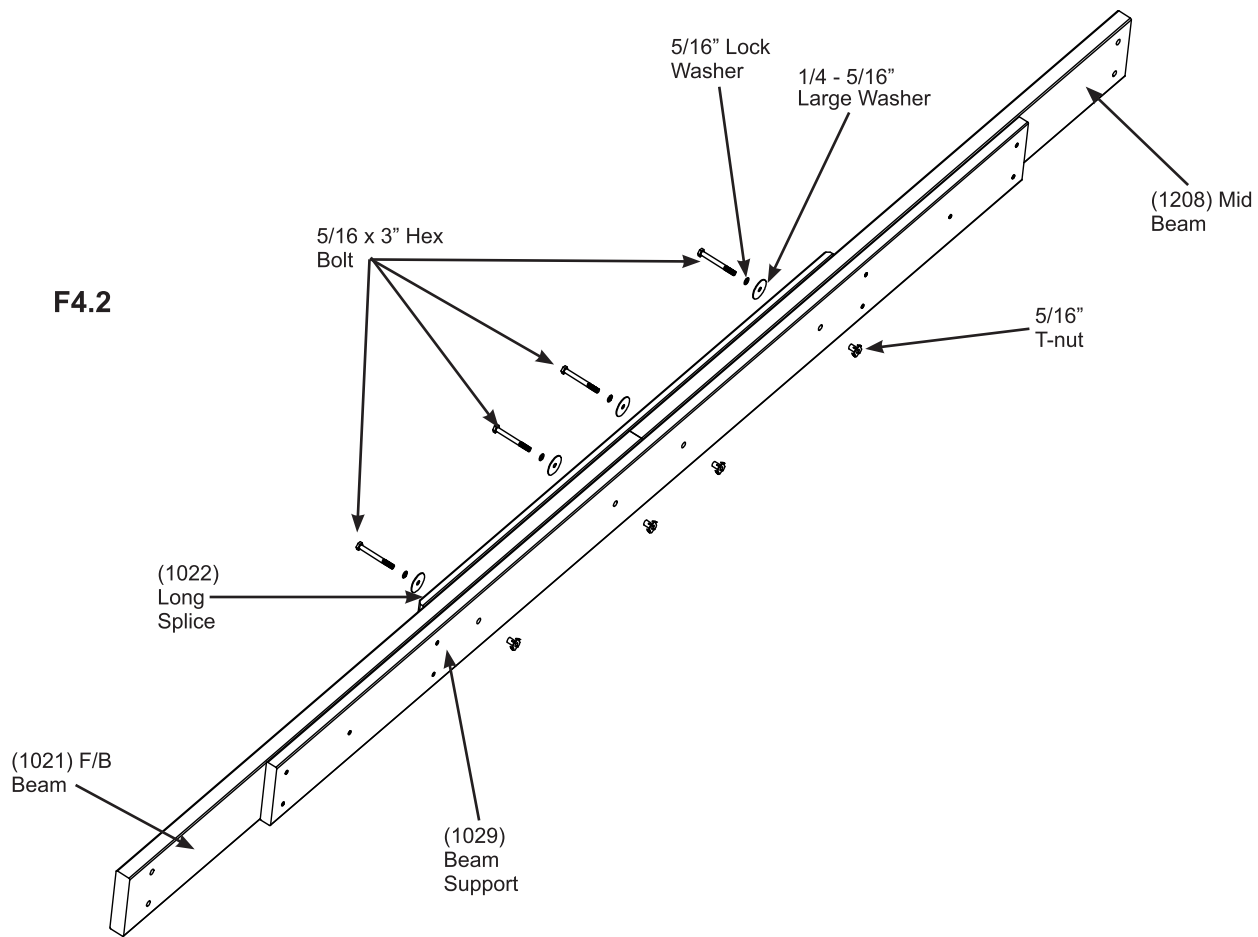
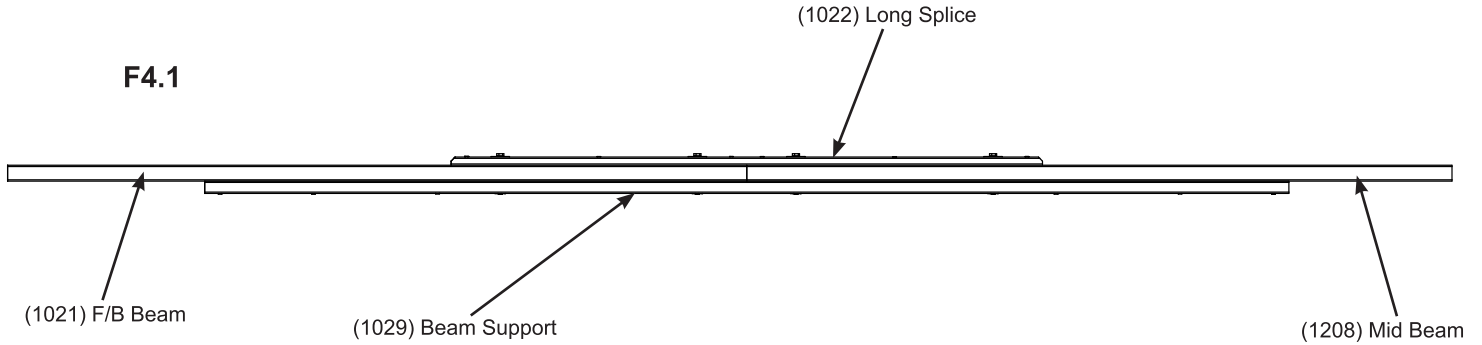
4 x (1209) Beam End

### Hardware

12 x #10 x 4" Wood Screw

# Step 4: Long Beam Assembly Part 1

**A:** Place one (1021) F/B Beam tight to (1208) Mid Beam then place one (1022) Long Splice on one side and one (1029) Beam Support on the other side, lining up the bolt holes as shown in F4.1 and F4.2. From the (1022) Long Splice side attach with four 5/16 x 3" Hex Bolts (with 5/16" lock washer, 1/4-5/16" large washer and 5/16" t-nut). (F4.1 and F4.2)



### Wood Parts

- 4 x (1021) F/B Beam
- 4 x (1208) Mid Beam
- 4 x (1022) Long Splice
- 4 x (1029) Beam Support

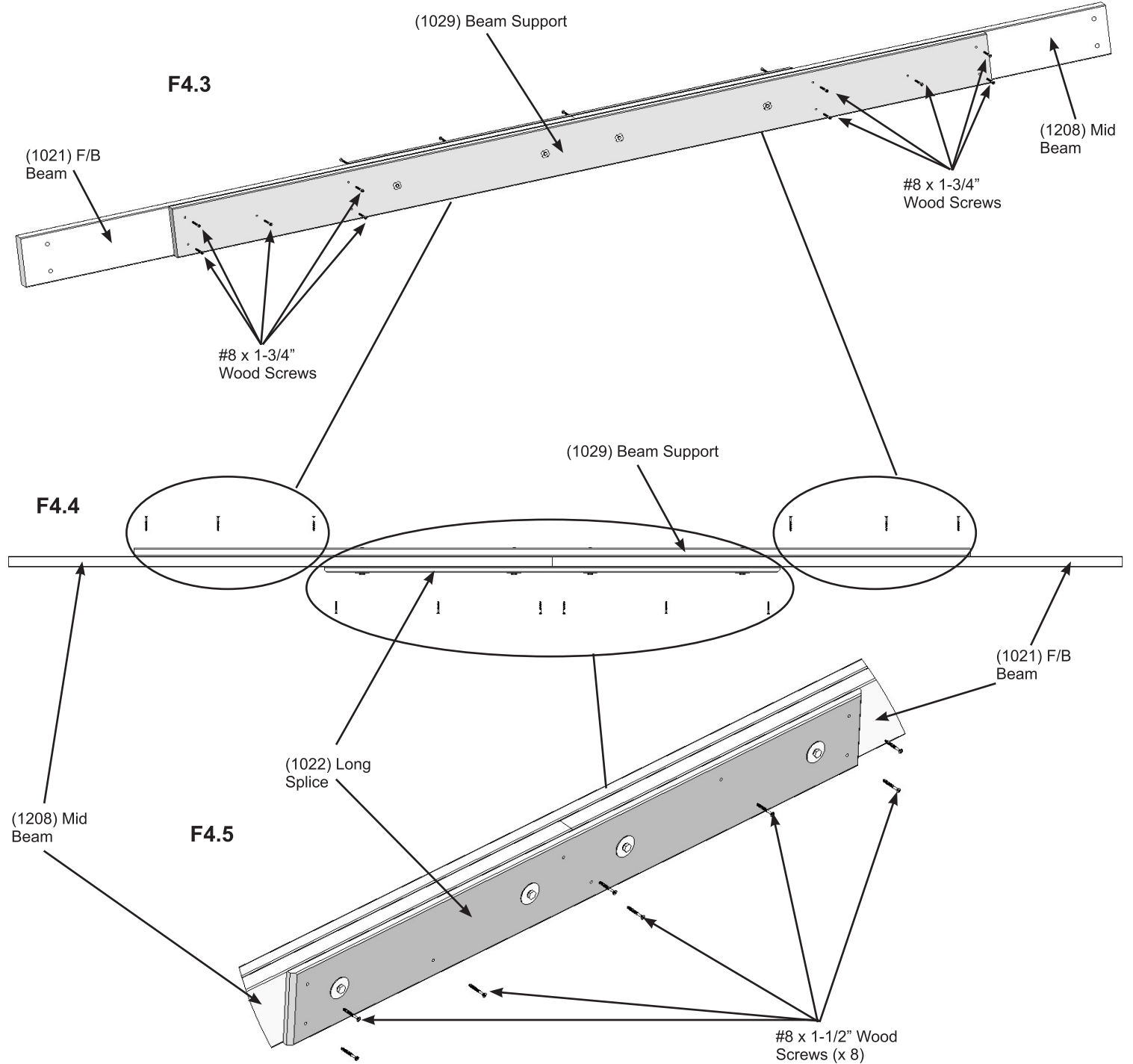
### Hardware

- 16 x 5/16 x 3" Hex Bolt  
(5/16" lock washer, 1/4-5/16" large washer, 5/16" t-nut)

# Step 4: Long Beam Assembly Part 2

**B:** Attach (1029) Beam Support to (1021) F/B Beam and (1208) Mid Beam with five #8 x 1-3/4" Wood Screws per end. (F4.3 and F4.4)

**C:** Attach (1022) Long Splice to (1021) F/B Beam and (1208) Mid Beam with eight #8 x 1-1/2" Wood Screws. (F4.4 and F4.5)



### Hardware

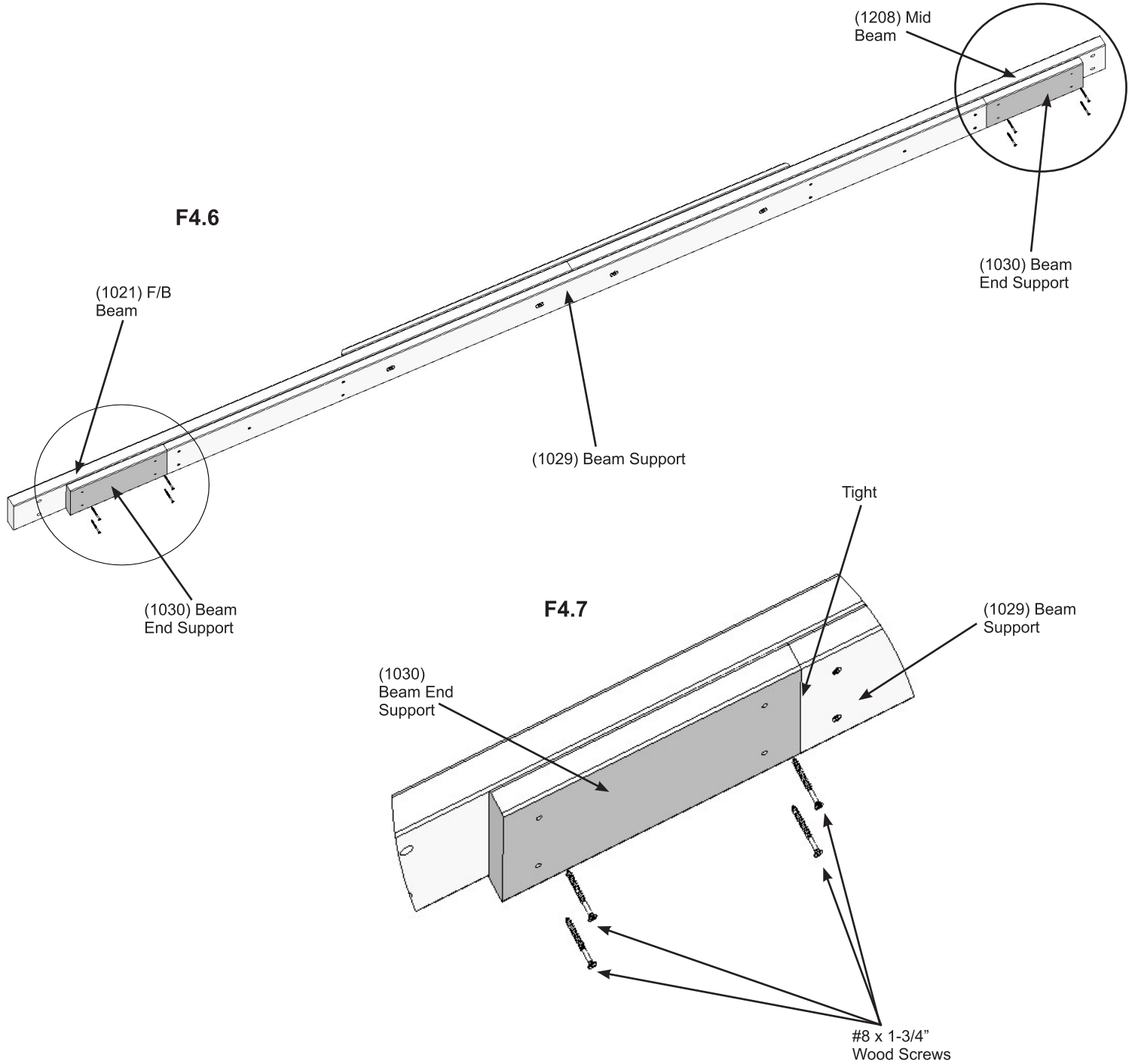
- 32 x #8 x 1-1/2" Wood Screw
- 40 x #8 x 1-3/4" Wood Screw



# Step 4: Long Beam Assembly Part 3

**D:** Tight to each end of (1029) Beam Support attach one (1030) Beam End Support to (1021) F/B Beam and (1208) Mid Beam with four #8 x 1-3/4" Wood Screws per end. (F4.6 and F4.7)

**E:** Repeat Steps A - D three more times to make four Long Beam Assemblies.



## Wood Parts

8 x (1030) Beam End Support

## Hardware

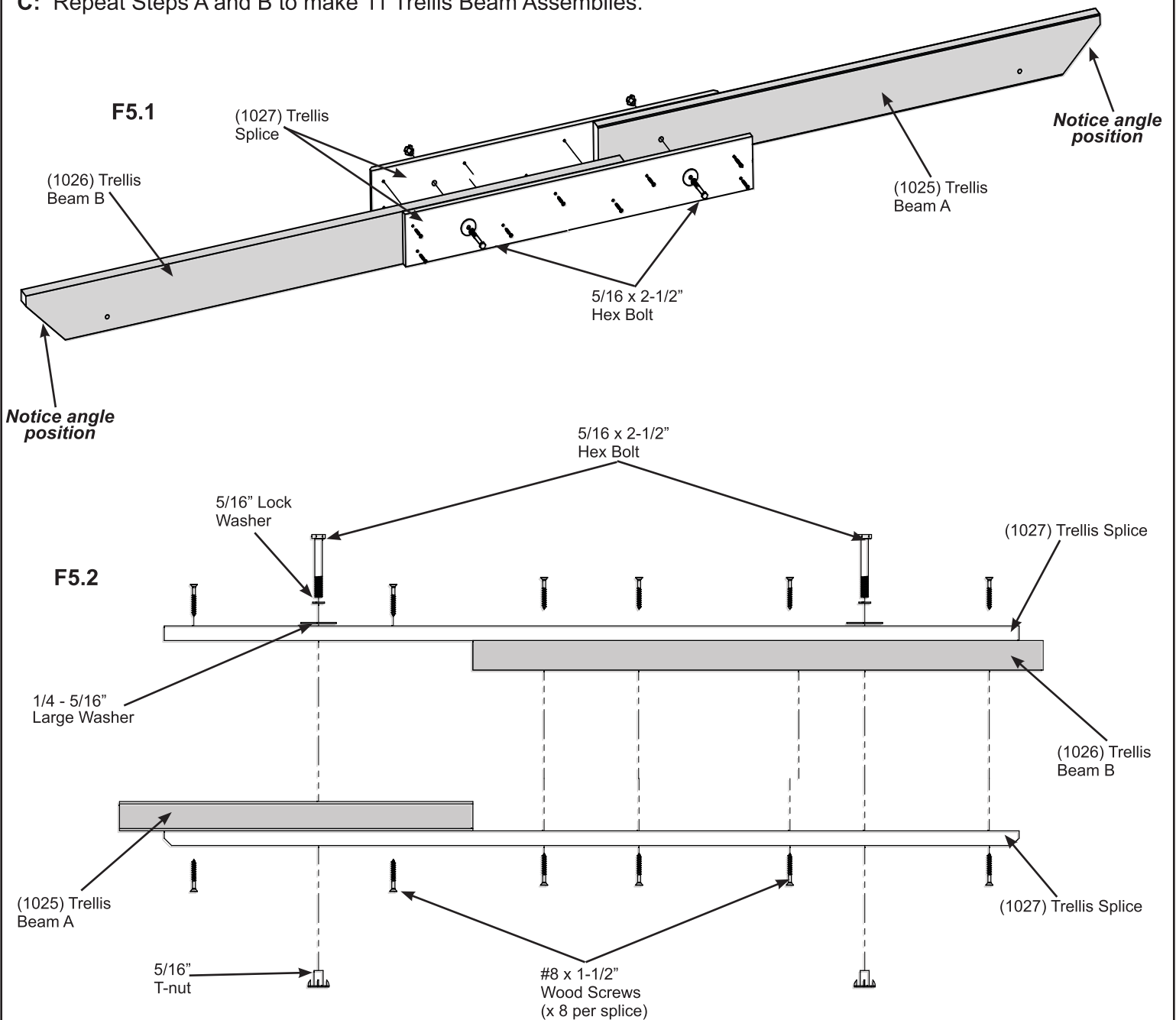
32 x #8 x 1-3/4" Wood Screw

# Step 5: Trellis Beam Assembly Part 1

**A:** Place one (1025) Trellis Beam A tight to one (1026) Trellis Beam B, making sure the end angles are positioned in the same direction, as shown in F5.1. Place one (1027) Trellis Splice on each side of the beams, lining up the bolt holes then attach with two 5/16 x 2-1/2" Hex Bolts (with 5/16" lock washer, 1/4-5/16" large washer and 5/16" t-nut). (F5.1 and F5.2)

**B:** Attach each (1027) Trellis Splice to (1025) Trellis Beam A and (1026) Trellis Beam B with eight #8 x 1-1/2" Wood Screws per splice. (F5.1 and F5.2)

**C:** Repeat Steps A and B to make 11 Trellis Beam Assemblies.



### Wood Parts

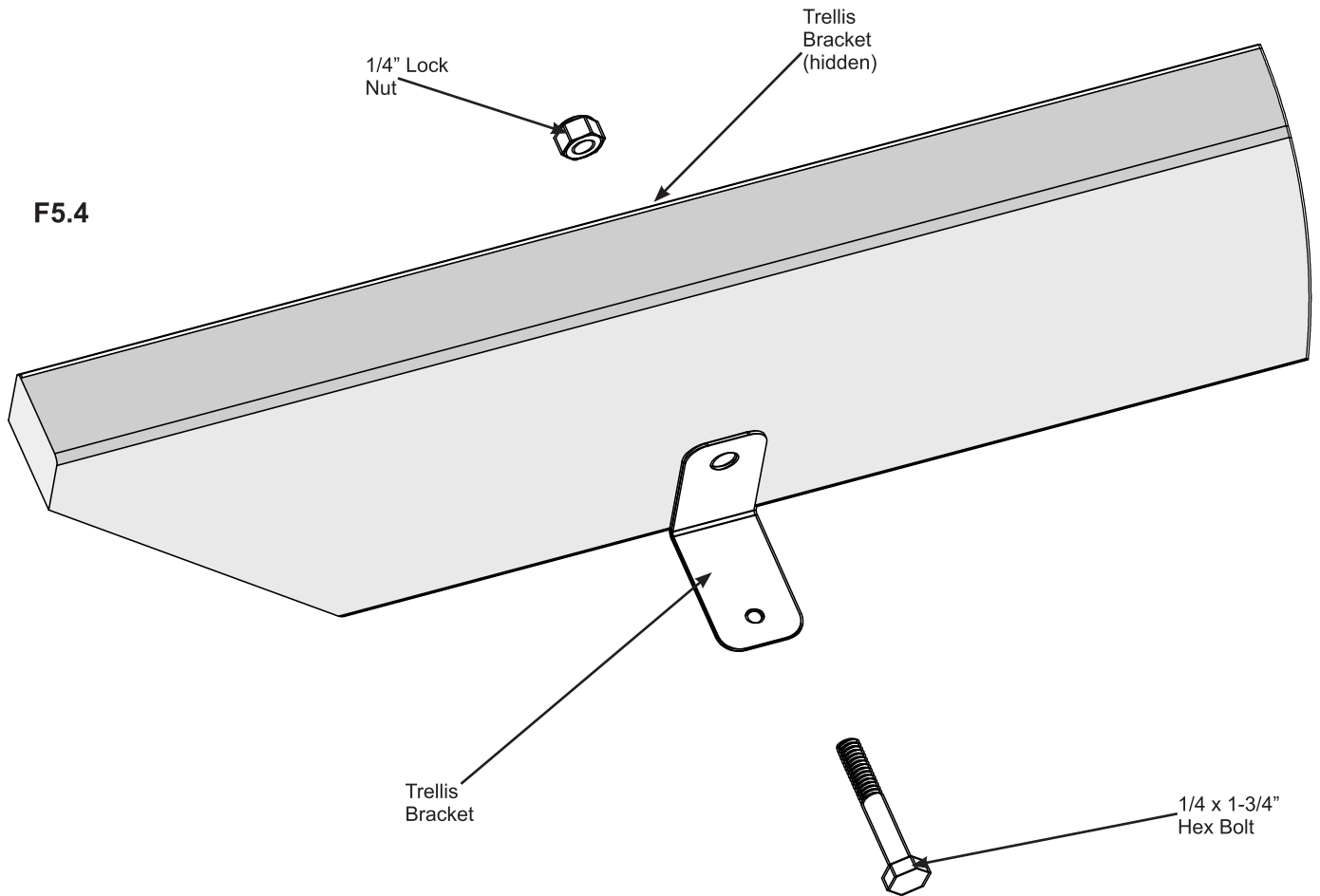
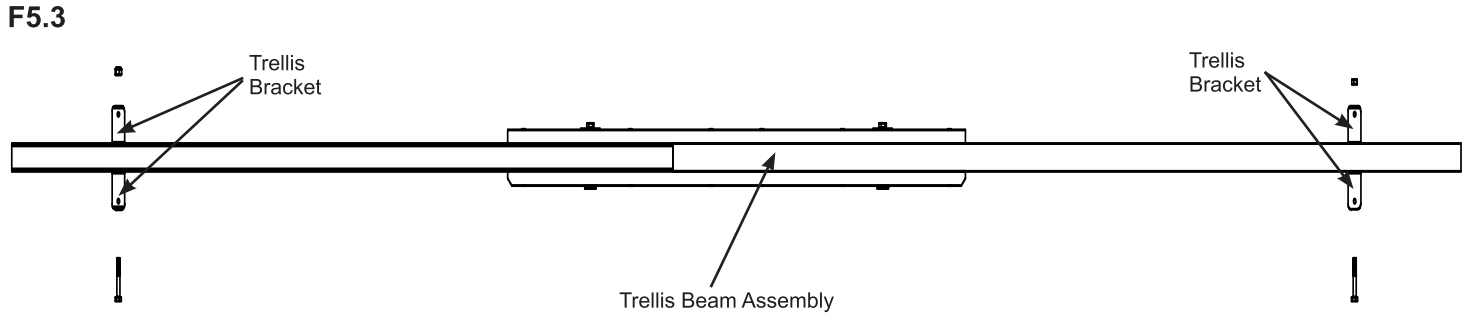
- 11 x (1025) Trellis Beam A
- 11 x (1026) Trellis Beam B
- 22 x (1027) Trellis Splice

### Hardware

- 22 x 5/16 x 2-1/2" Hex Bolt  
(5/16" lock washer, 1/4-5/16" large washer, 5/16" t-nut)
- 176 x #8 x 1-1/2" Wood Screw

# Step 5: Trellis Beam Assembly Part 2

D: At both ends of each Trellis Beam Assembly attach two Trellis Brackets with one 1/4 x 1-3/4" Hex Bolt (with 1/4" lock nut) per set of brackets. (F5.3 and F5.4)



### Components

44 x Trellis Bracket

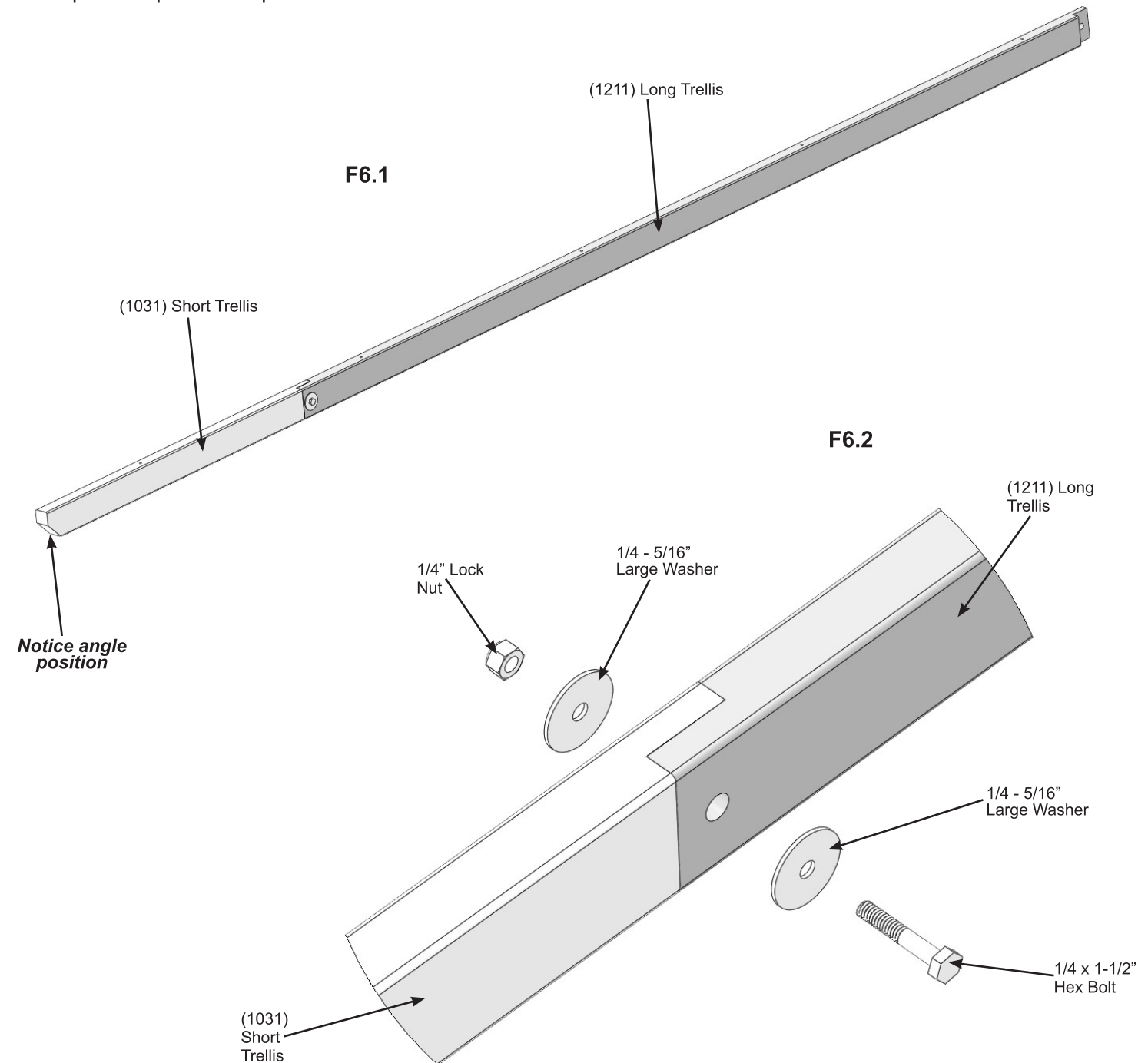
### Hardware

22 x 1/4 x 1-3/4" Hex Bolt (1/4" lock nut)

## Step 6: Trellis Assembly

**A:** At the end of one (1211) Long Trellis connect one (1031) Short Trellis with one 1/4 x 1-1/2" Hex Bolt (with 1/4-5/16" large washer x 2 and 1/4" lock nut). Make sure angle in each (1031) Short Trellis is facing down. (F6.1 and F6.2)

**B:** Repeat Step A to complete 18 Trellis Assemblies.



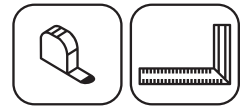
### Wood Parts

18 x (1031) Short Trellis  
18 x (1211) Long Trellis

### Hardware

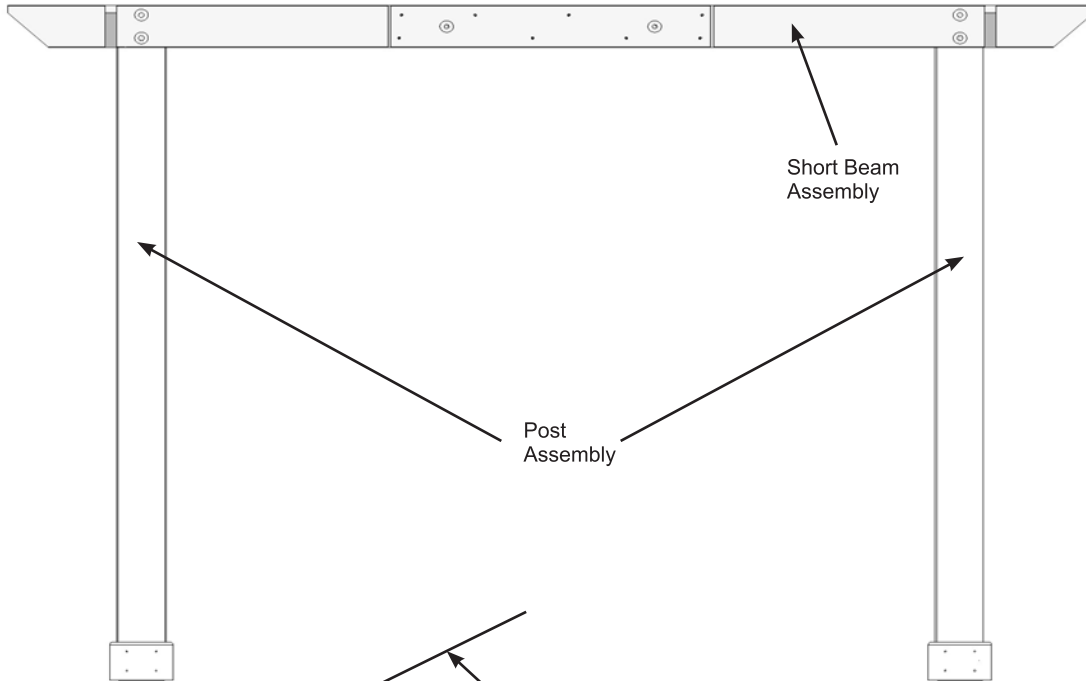
18 x 1/4 x 1-1/2" Hex Bolt  
(1/4-5/16" large washer x 2, 1/4" lock nut)

# Step 7: Frame Assembly - Short Beam Part 1

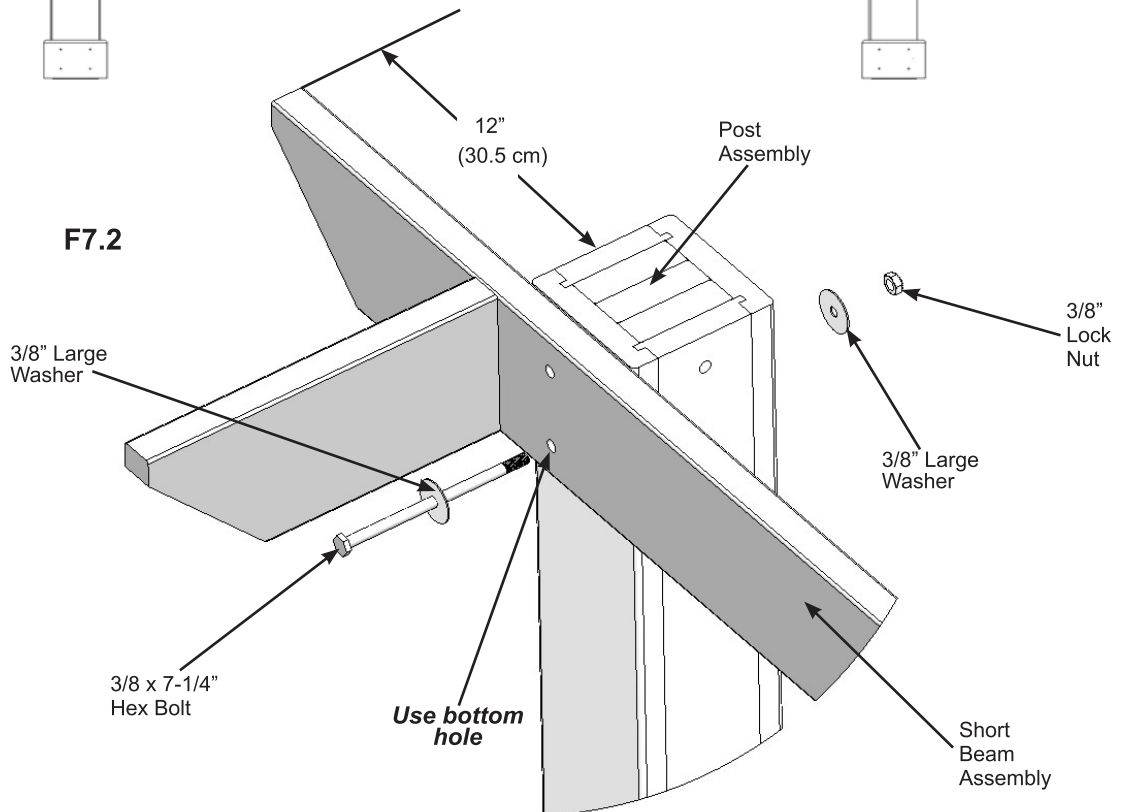


**A:** Lay two Post Assemblies on a flat surface with lower bolt hole facing up then place one Short Beam Assembly over posts so tops of posts and tops of beams are flush. Using the bottom hole in the Short Beam Assembly attach with one 3/8 x 7-1/4" Hex Bolt (with 3/8" large washer x 2 and 3/8" lock nut) per end. Make sure Short Beam Assembly is square with the posts and the bolts are tight. The distance from the Post Assembly to the end of the Short Beam Assembly should be 12" (30.5 cm). (F7.1 and F7.2)

**F7.1**



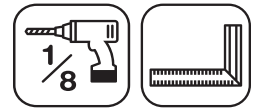
**F7.2**



### Hardware

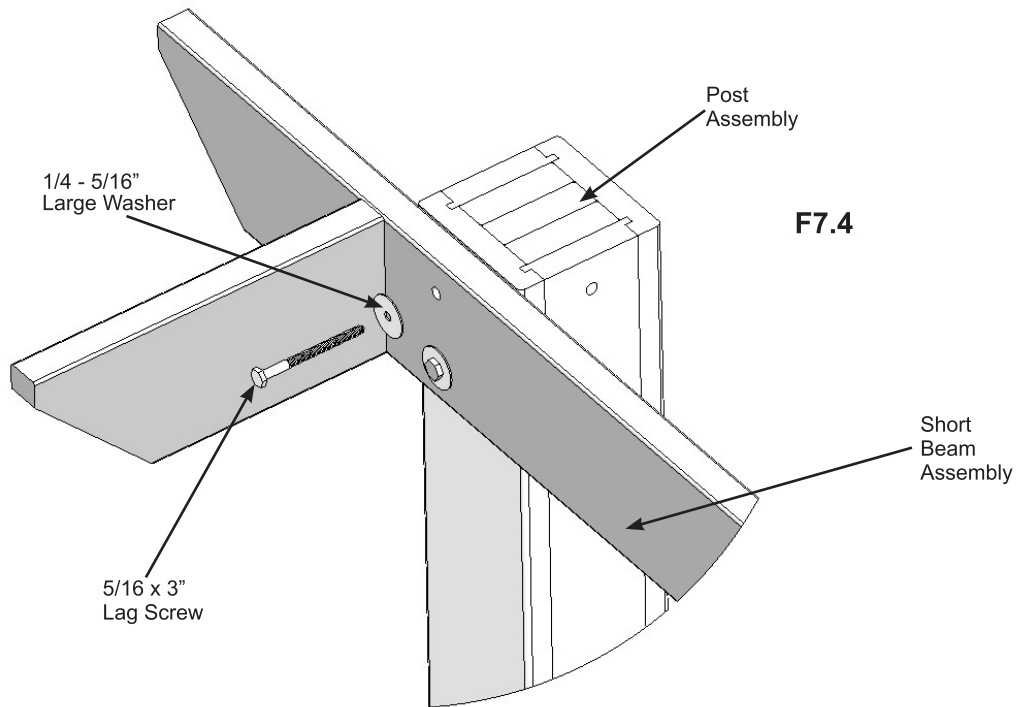
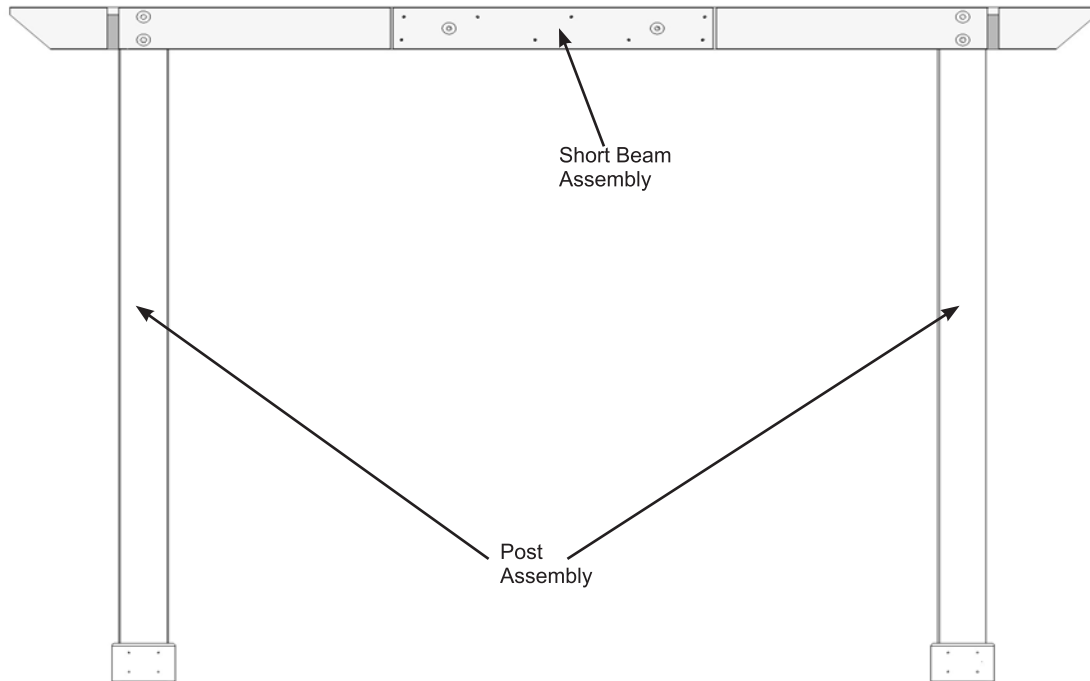
4 x 3/8 x 7-1/4" Hex Bolt  
(3/8" large washer x 2, 3/8" lock nut)

# Step 7: Frame Assembly - Short Beam Part 2



**B:** Make sure assembly is still square then in the top holes pre-drill with a 1/8" drill bit and attach Short Beam Assembly to Post Assemblies with one 5/16 x 3" Lag Screw (with 1/4-5/16" large washer) per end. (F7.3 and F7.4)

F7.3

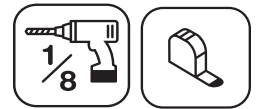


F7.4

### Hardware

4 x 5/16 x 3" Lag Screw (1/4-5/16" large washer)

# Step 7: Frame Assembly - Short Beam Part 3

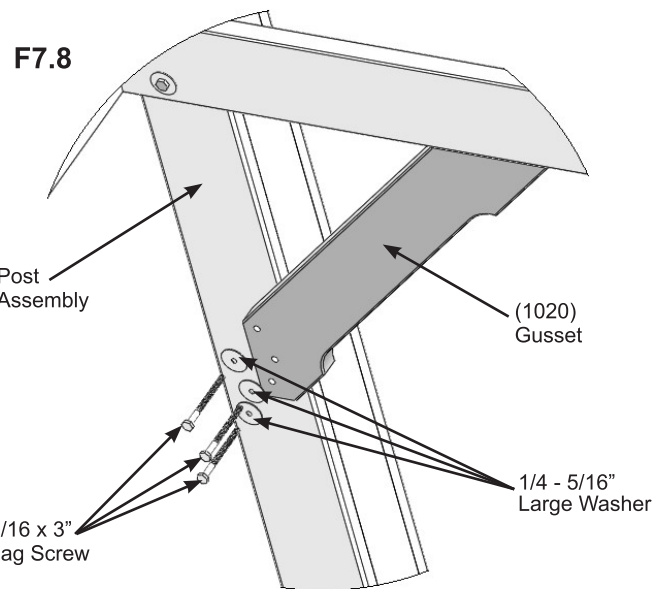
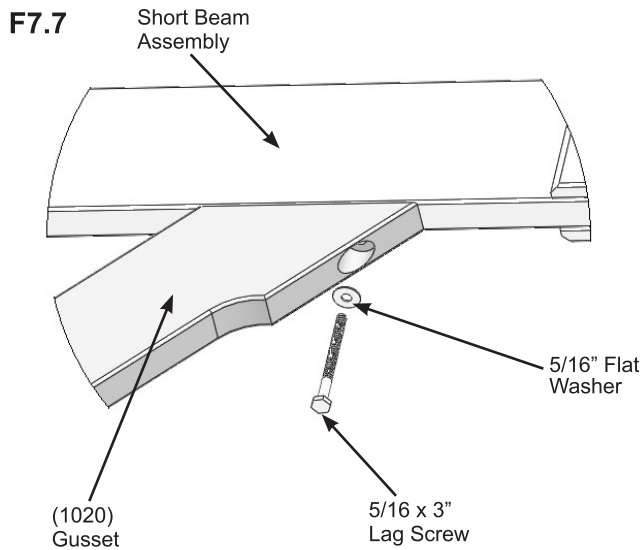
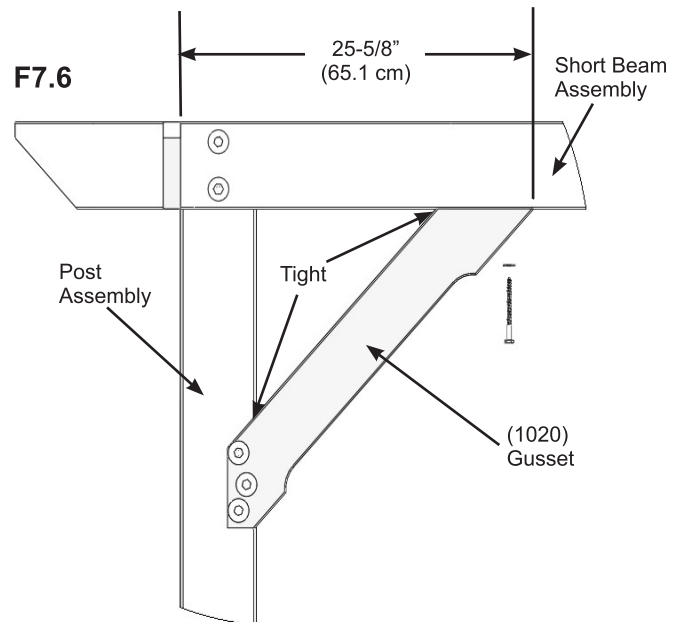
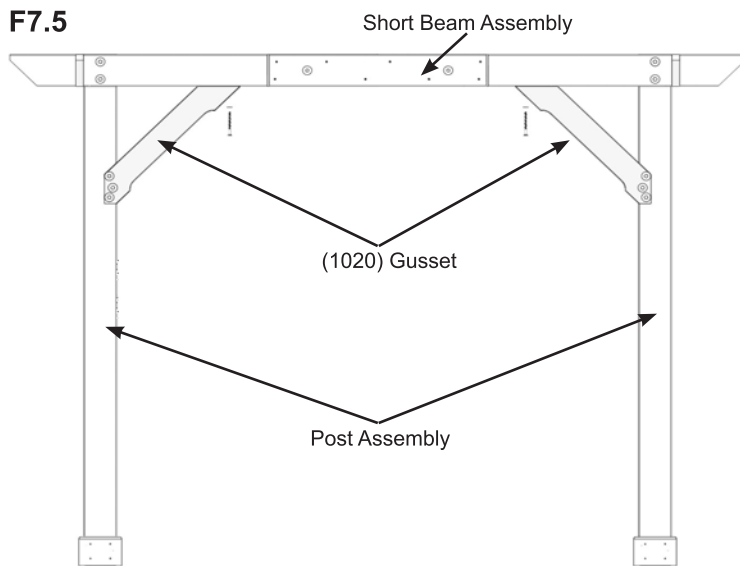


**C:** At each corner place one (1020) Gusset tight to Post Assemblies and bottom of Short Beam Assembly. Top of gusset should measure 25-5/8" (65.1 cm) from outside of Post Assembly. (F7.5 and F7.6)

**D:** Pre-drill with a 1/8" drill bit then attach (1020) Gussets to Short Beam Assemblies with one 5/16 x 3" Lag Screw (with 5/16" flat washer) per gusset. (F7.5 and F7.7)

**E:** Pre-drill with a 1/8" drill bit then attach (1020) Gussets to Post Assemblies using three 5/16 x 3" Lag Screws (with 1/4-5/16" large washer) per gusset. (F7.5 and F7.8)

**F:** Repeat Steps A - E for second Short Beam Assembly.



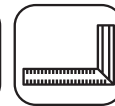
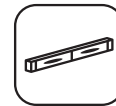
### Wood Parts

4 x (1020) Gusset

### Hardware

12 x 5/16 x 3" Lag Screw (1/4-5/16" large washer)  
4 x 5/16 x 3" Lag Screw (5/16" flat washer)

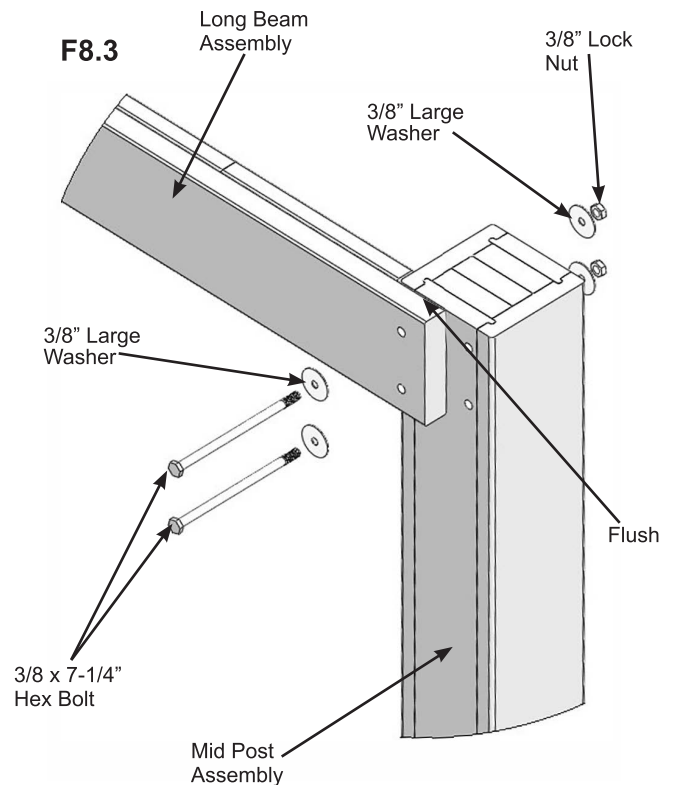
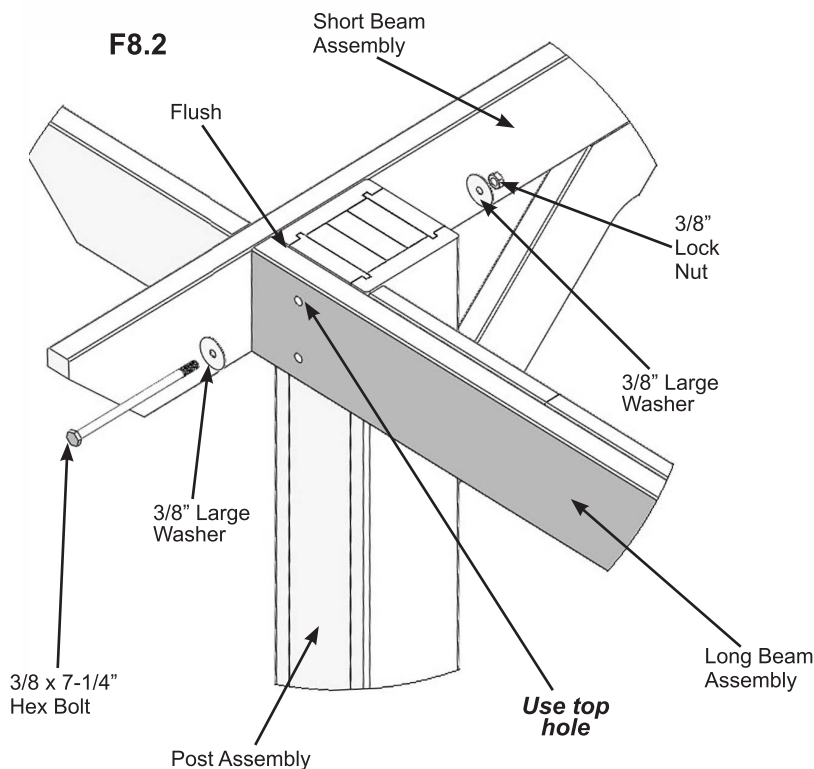
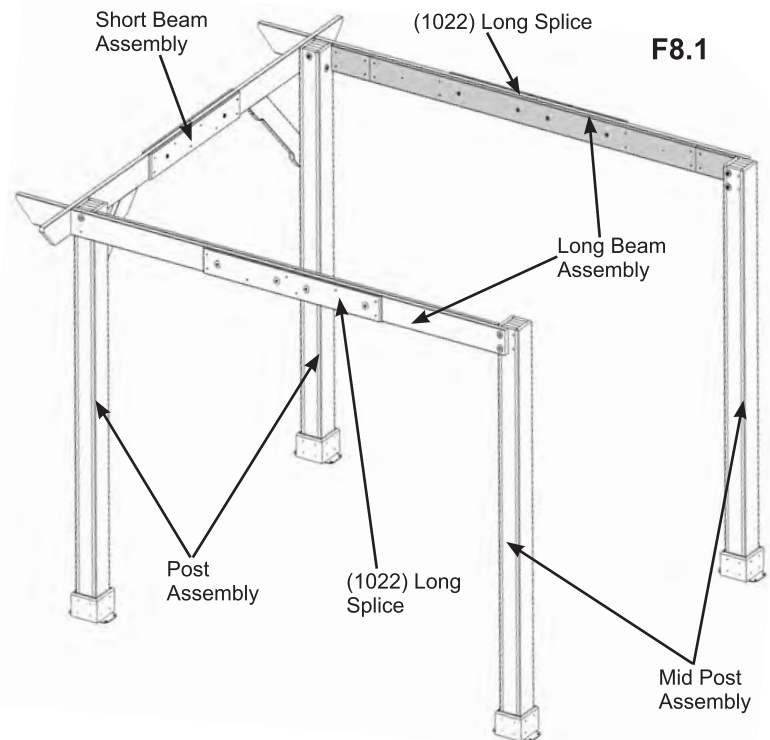
# Step 8: Frame Assembly - Long Beam Part 1



**A:** Lift one Post and Short Beam Assembly then place one Long Beam Assembly against post so tops of posts and tops of beams are flush and the (1022) Long Splice faces out. Using the top hole in the Long Beam Assembly attach with one 3/8 x 7-1/4" Hex Bolt (with 3/8" large washer x 2 and 3/8" lock nut). (F8.1 and F8.2)

**B:** Place one Mid Post Assembly on the other end of the Long Beam Assembly so tops are flush. Attach with two 3/8 x 7-1/4" Hex Bolts (with 3/8" large washer x 2 and 3/8" lock nut). Make sure the assembly is square, level and the bolts are tight. (F8.1 and F8.3)

**C:** Repeat A and B to attach second Long Beam Assembly to Post and Short Beam Assembly.

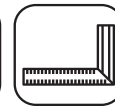
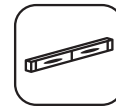


## Hardware

6 x 3/8 x 7-1/4" Hex Bolt  
(3/8" large washer x 2, 3/8" lock nut)



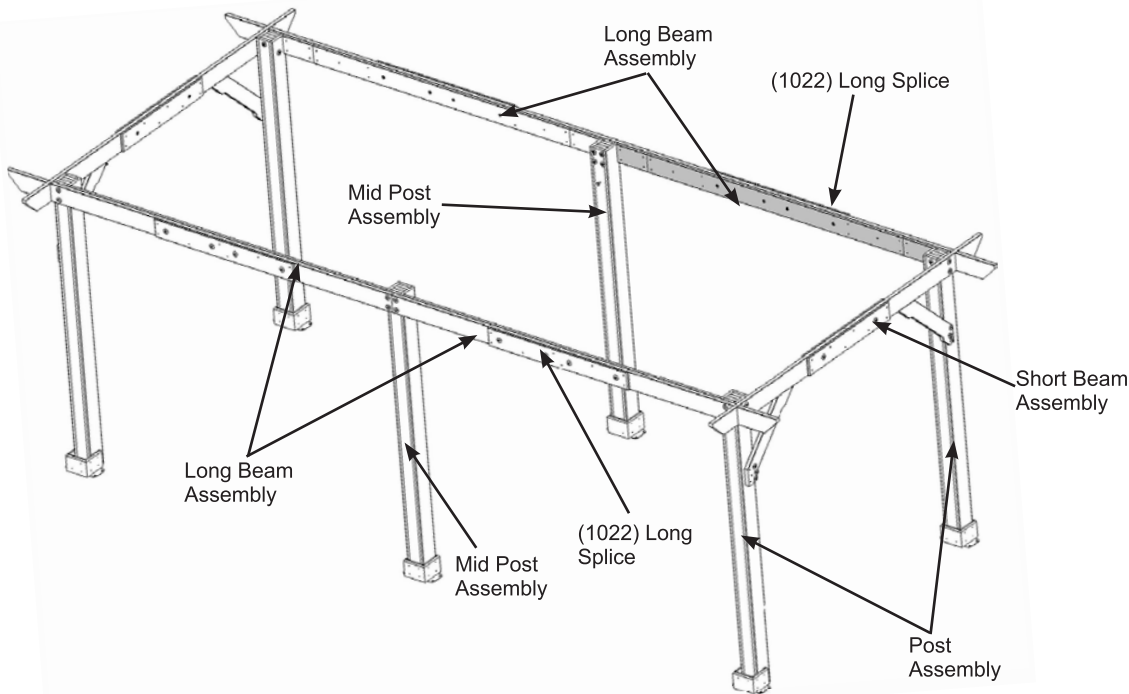
# Step 8: Frame Assembly - Long Beam Part 2



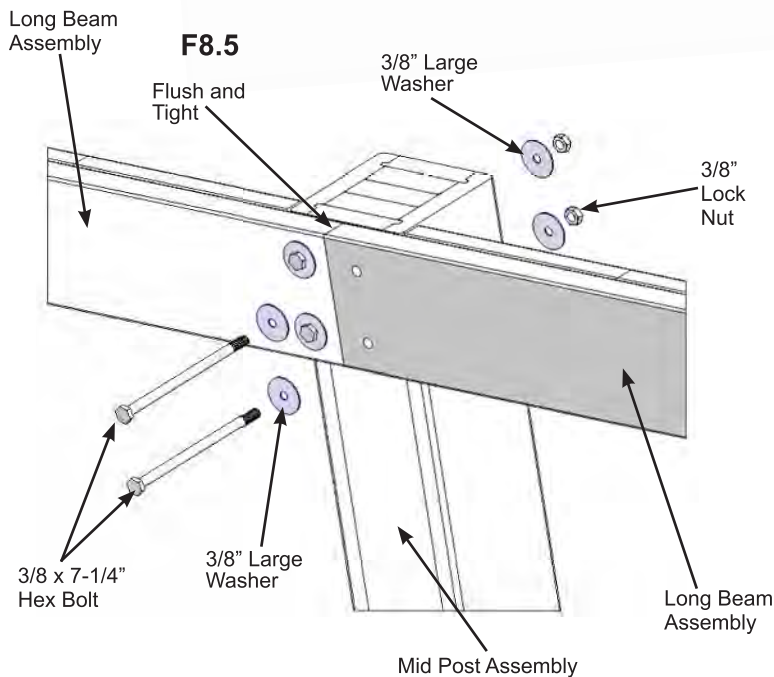
**D:** Lift second Post and Short Beam Assembly then place one Long Beam Assembly against Post and Mid Post Assemblies tight to other Long Beam Assembly. Tops of posts and tops of beams should be flush and the (1022) Long Splice faces out. Attach Long Post Assembly to Mid Post Assembly with two 3/8 x 7-1/4" Hex Bolts (with 3/8" large washer x 2 and 3/8" lock nut) and using the top hole in the Long Beam Assembly attach to Post Assembly with one 3/8 x 7-1/4" Hex Bolt (with 3/8" large washer x 2 and 3/8" lock nut). Make sure the assembly is square, level and the bolts are tight. (F8.4, F8.5 and F8.6)

**E:** Repeat Step D for last Long Beam Assembly.

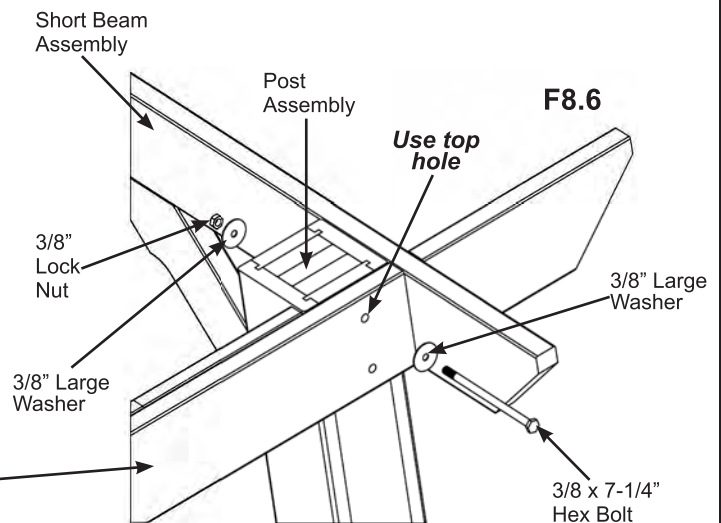
**F8.4**



**F8.5**



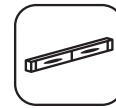
**F8.6**



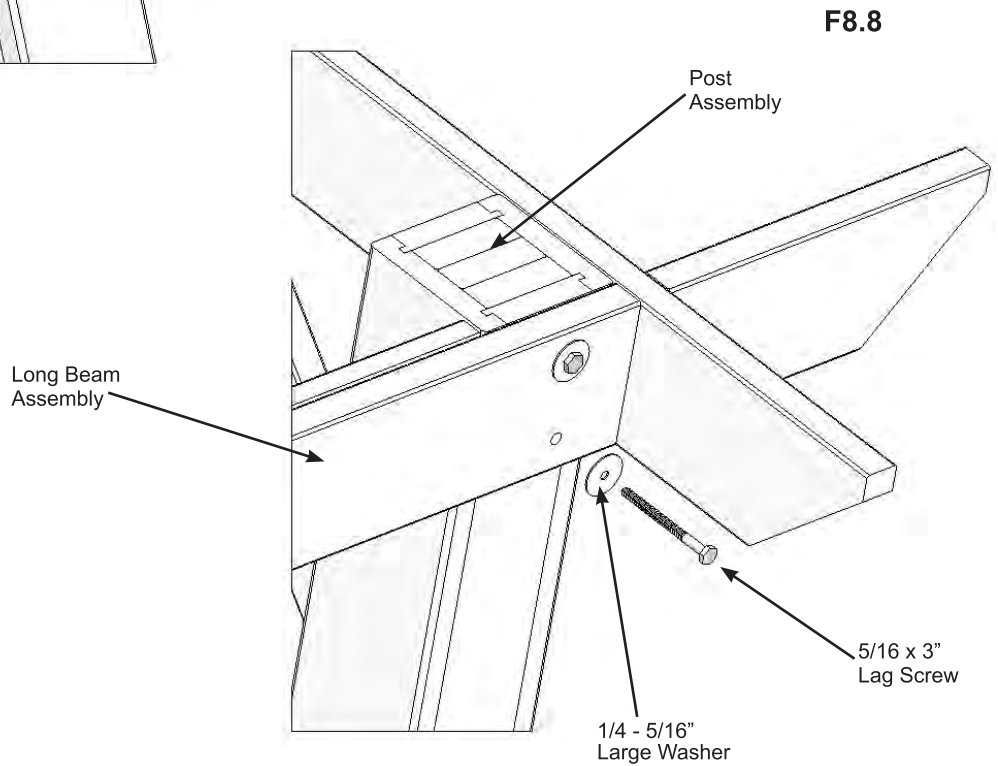
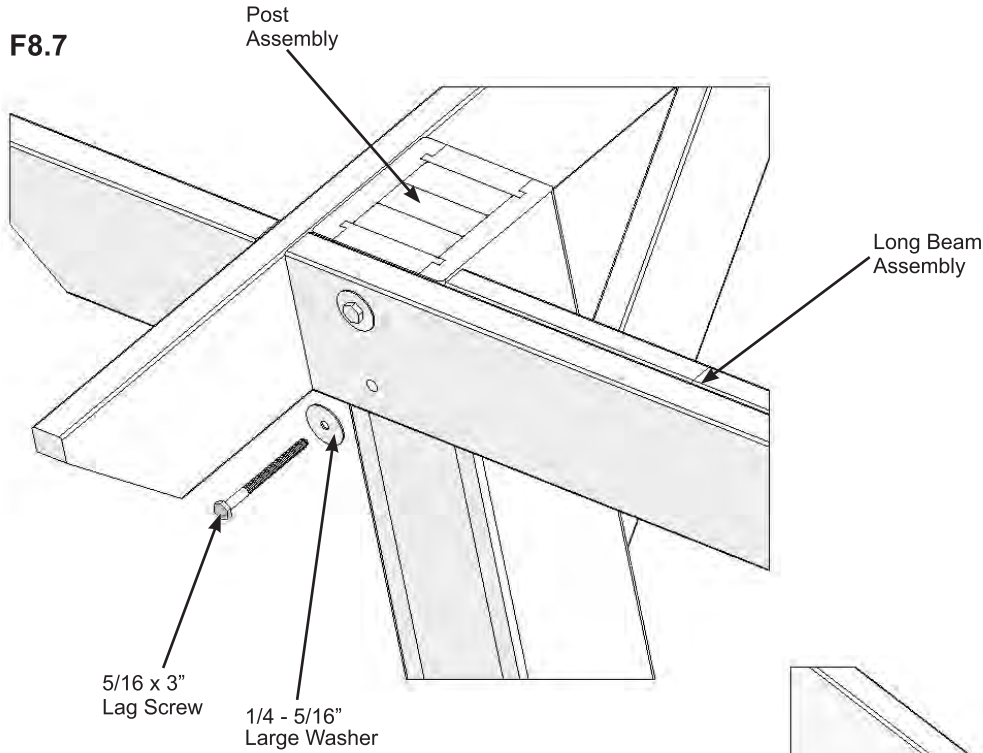
**Hardware**

6 x 3/8 x 7-1/4" Hex Bolt  
(3/8" large washer x 2, 3/8" lock nut)

# Step 8: Frame Assembly - Long Beam Part 3



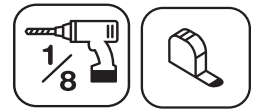
**F:** In the bottom holes of each Long Beam Assembly pre-drill with a 1/8" drill bit then attach Long Beam Assemblies to Post Assemblies with one 5/16 x 3" Lag Screw (with 1/4-5/16" large washer) per post. (F8.7 and F8.8)



## Hardware

4 x 5/16 x 3" Lag Screw (1/4-5/16" large washer)

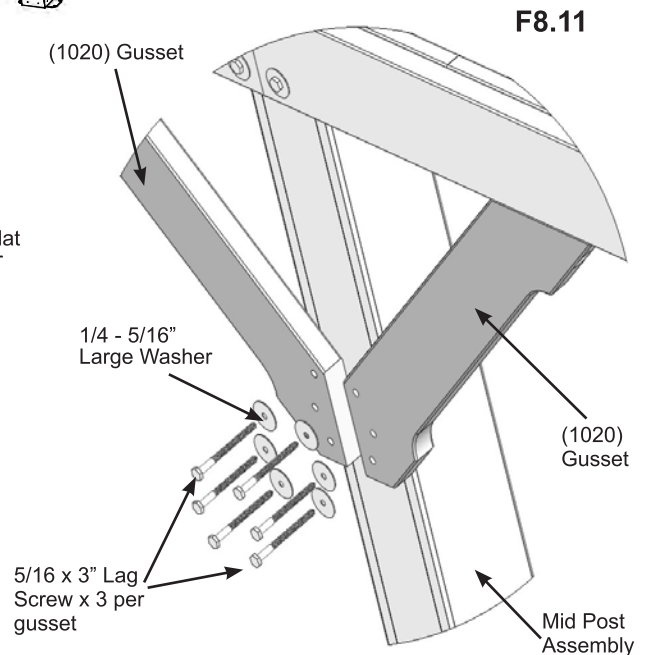
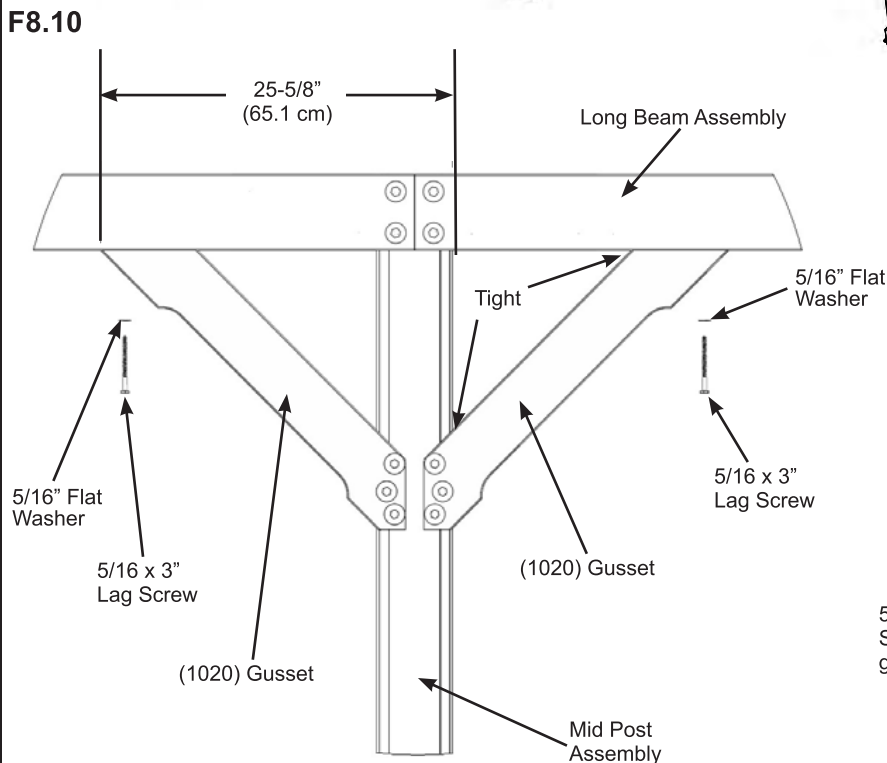
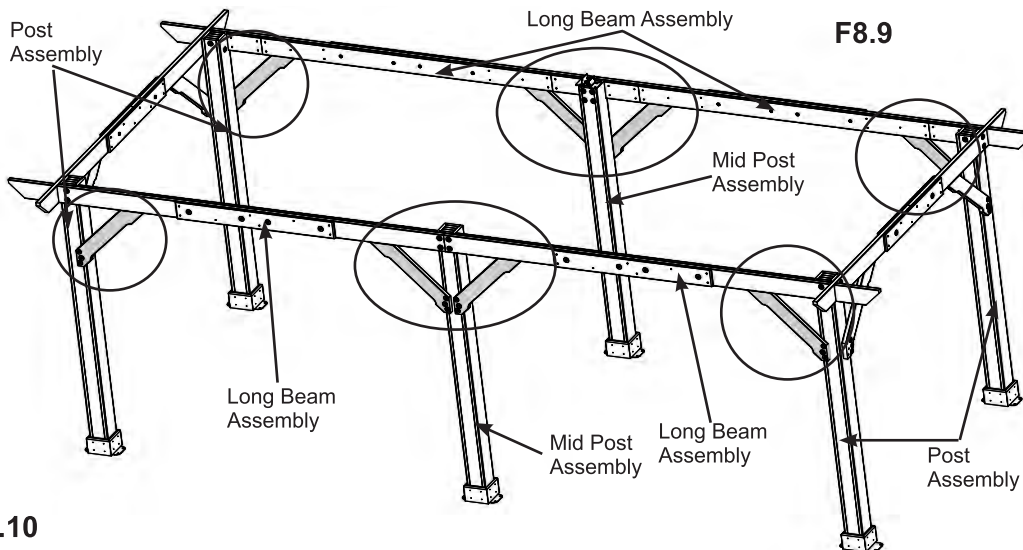
# Step 8: Frame Assembly - Long Beam Part 4



**G:** At each corner place one (1020) Gusset tight to Post Assemblies, Mid Post Assemblies and bottom of Long Beam Assemblies. Top of gusset should measure 25-5/8" (65.1 cm) from end of Post Assembly/Mid Post Assembly. (F8.9 and F8.10)

**H:** Pre-drill with a 1/8" drill bit then attach (1020) Gussets to Long Beam Assemblies with one 5/16 x 3" Lag Screw (with 5/16" flat washer) per gusset. (F8.9 and F8.10)

**I:** Pre-drill with a 1/8" drill bit then attach (1020) Gussets to Post and Mid Post Assemblies using three 5/16 x 3" Lag Screws (with 1/4-5/16" large washer) per gusset. (F8.9 and F8.11)



### Wood Parts

8 x (1020) Gusset

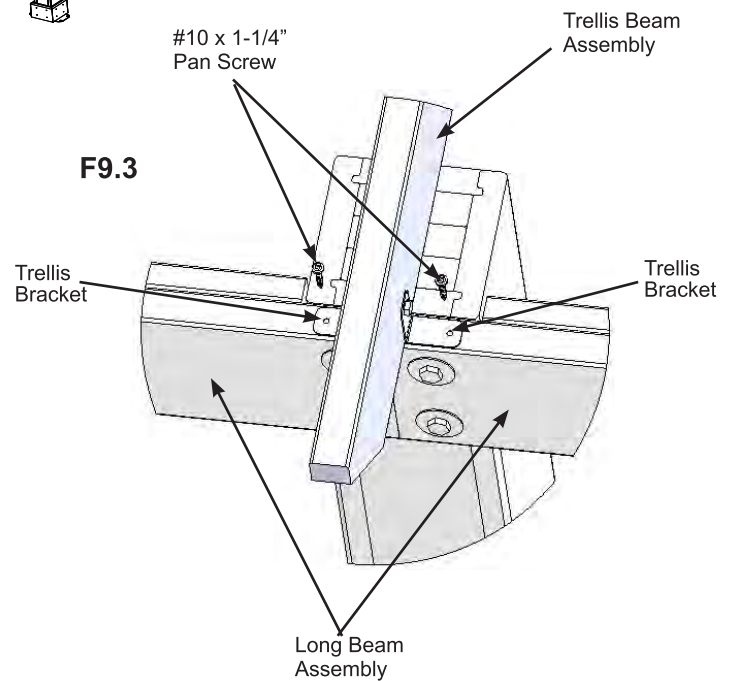
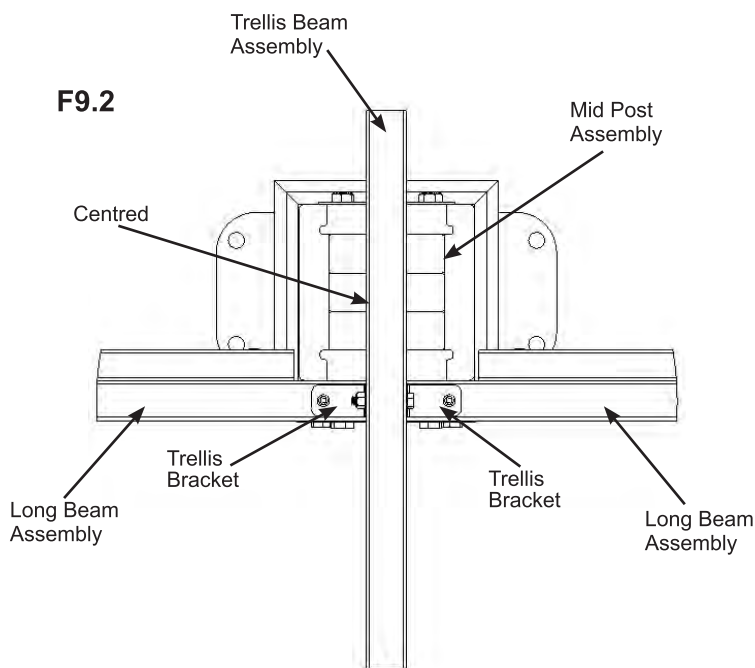
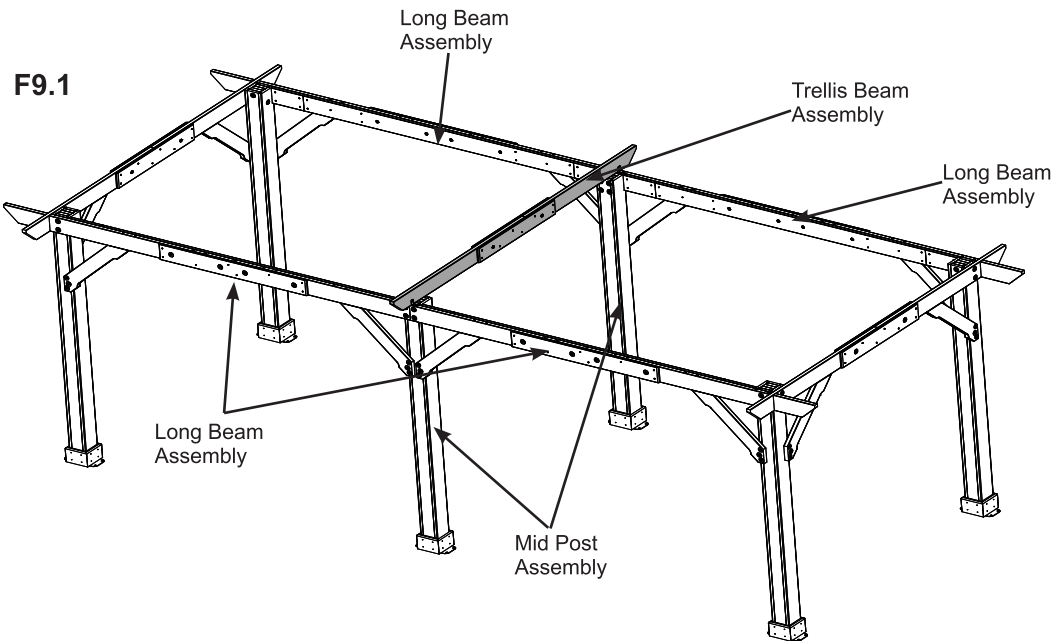
### Hardware

24 x 5/16 x 3" Lag Screw (1/4-5/16" large washer)  
8 x 5/16 x 3" Lag Screw (5/16" flat washer)

# Step 9: Attach Centre Trellis Beam Assembly Part 1



**A:** Centred on each Mid Post Assembly place one Trellis Beam Assembly so the Trellis Bracket sits centred on each Long Beam Assembly. Through each Trellis Bracket attach Trellis Beam Assembly to Long Beam Assemblies with one #10 x 1-1/4" Pan Screw per bracket. (F9.1, F9.2 and F9.3)



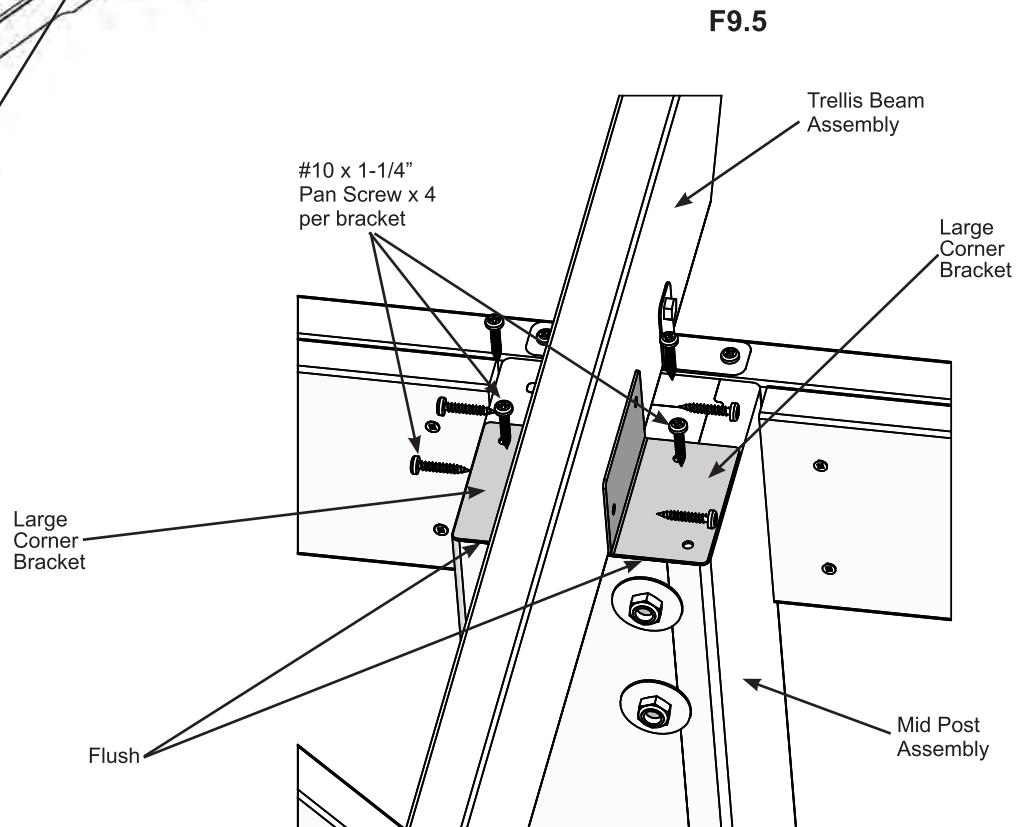
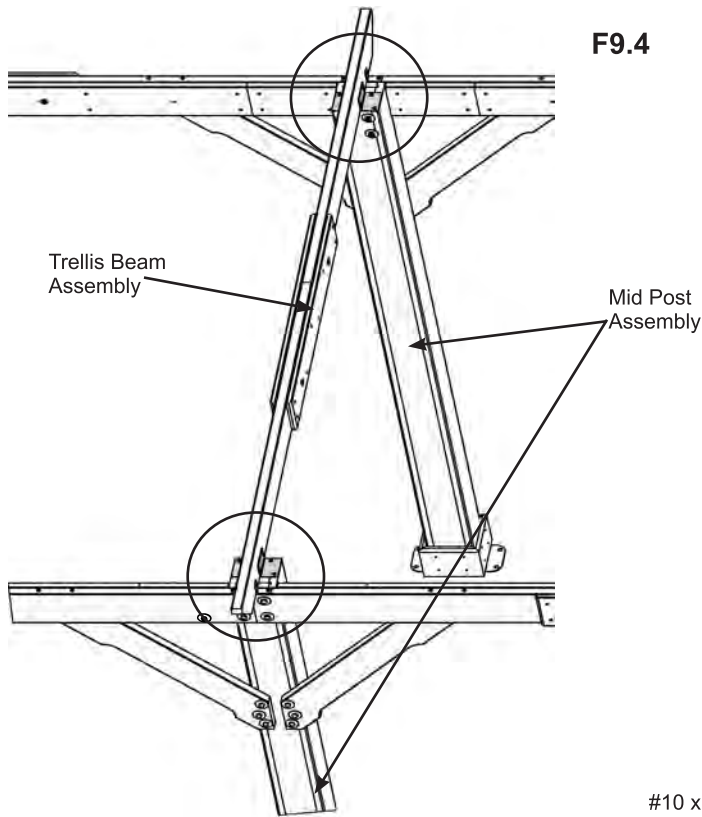
### Hardware

4 x #10 x 1-1/4" Pan Screw

# Step 9: Attach Centre Trellis Beam Assembly Part 2



**B:** Flush to the inside of each Mid Post Assembly place one Large Corner Bracket tight to each side of the Trellis Beam Assembly. Attach Large Corner Brackets to Trellis Beam Assembly and Mid Post Assemblies with four #10 x 1-1/4" Pan Screw per bracket. (F9.4 and F9.5)



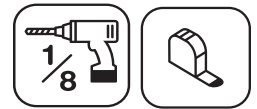
### Components

4 x Large Corner Bracket

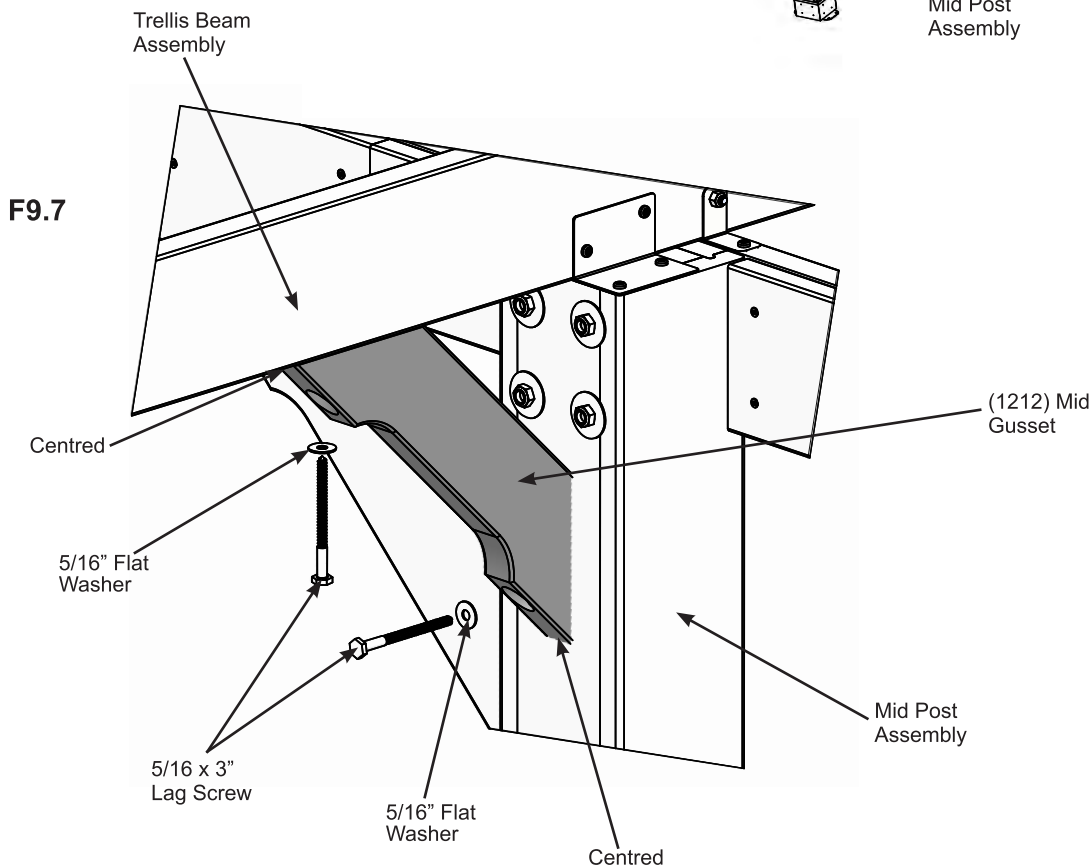
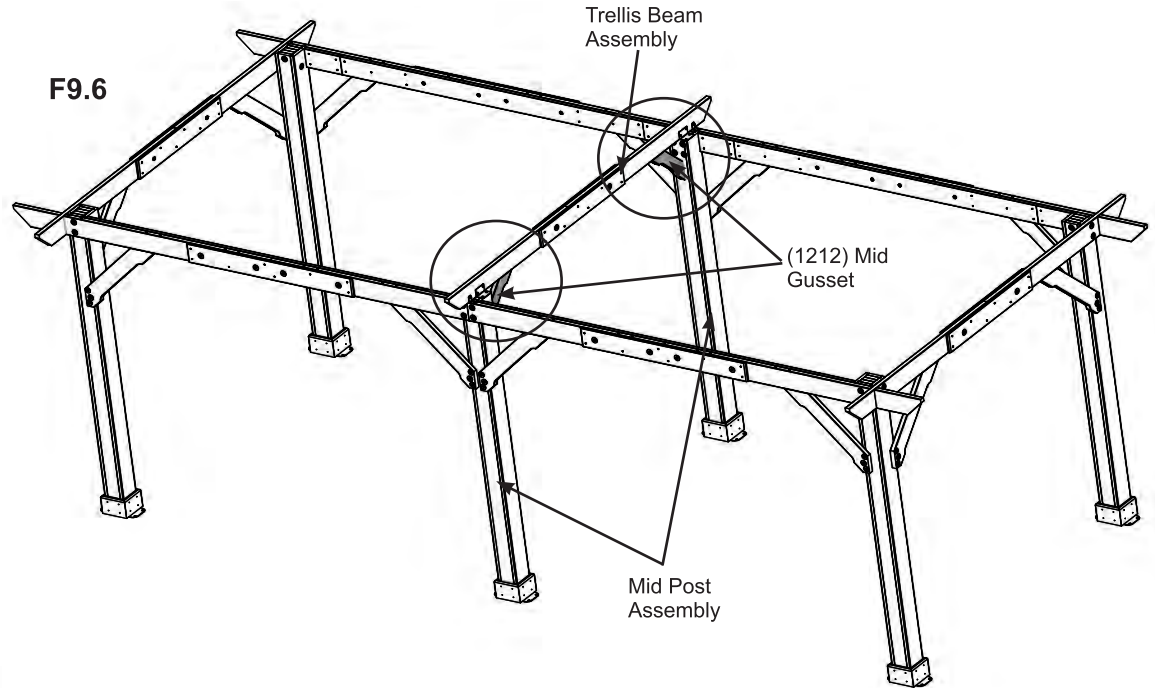
### Hardware

16 x #10 x 1-1/4" Pan Screw

# Step 9: Attach Centre Trellis Beam Assembly Part 3



**C:** Centred on inside of each Mid Post Assembly and bottom of Trellis Beam Assembly place one (1212) Mid Gusset. Pre-drill with a 1/8" drill bit then attach each (1212) Mid Gusset to Mid Post Assemblies and Trellis Beam Assembly with two 5/16 x 3" Lag Screw (with 5/16" flat washer) per gusset. (F9.6 and F9.7)



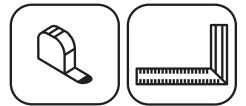
### Wood Parts

2 x (1212) Mid Gusset

### Hardware

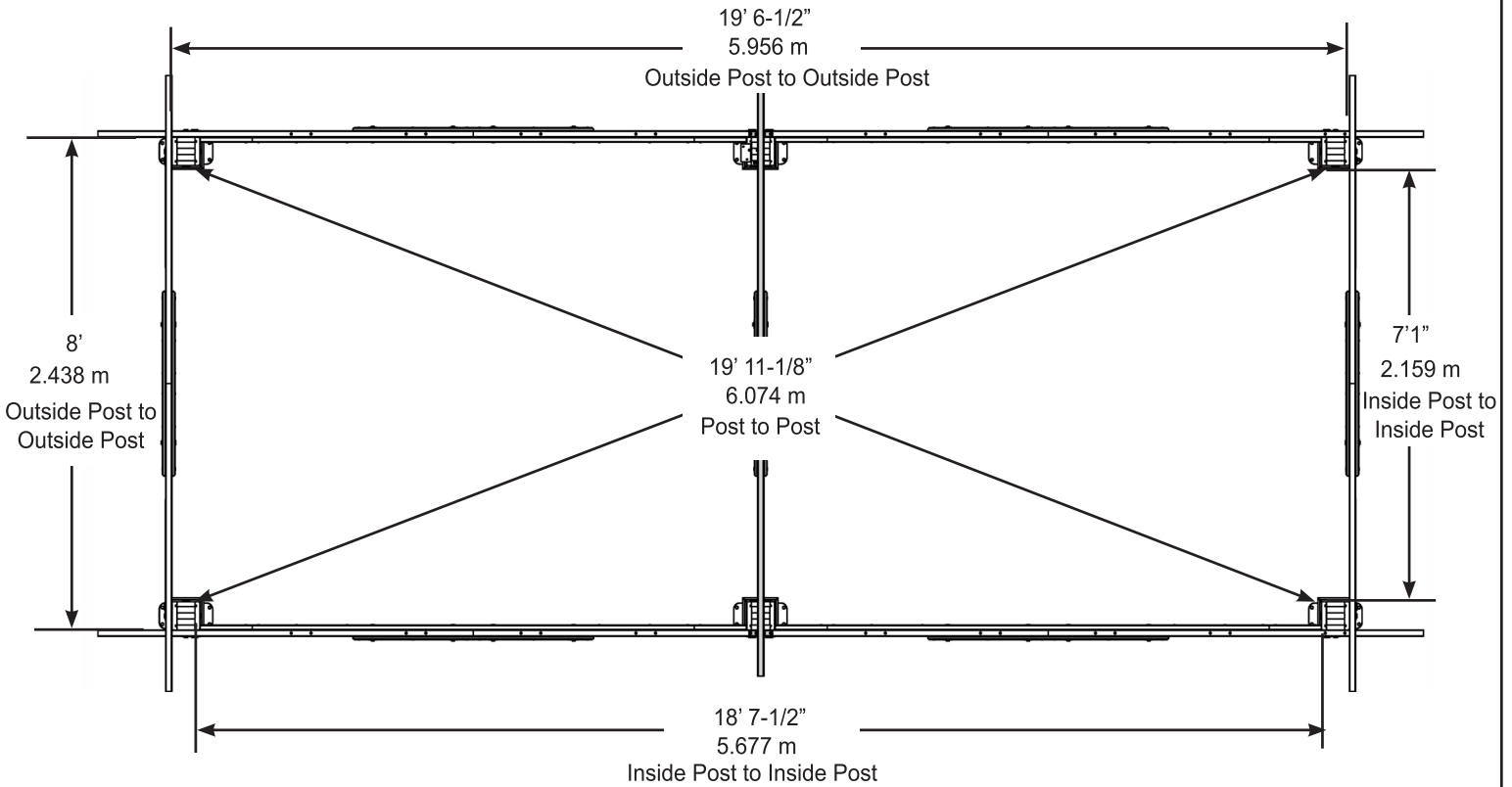
4 x 5/16 x 3" Lag Screw (5/16" flat washer)

# Step 10: Square Assembly



**A:** On the long side the distance from outside the posts should measure 19' 6-1/2" (5.956 m). On the short side the distance from outside the posts should measure 8' (2.438 m). Diagonally from post to post should measure 19' 11-1/8" (6.074 m). Frame Assembly should be square at all corners. (F10.1)

F10.1

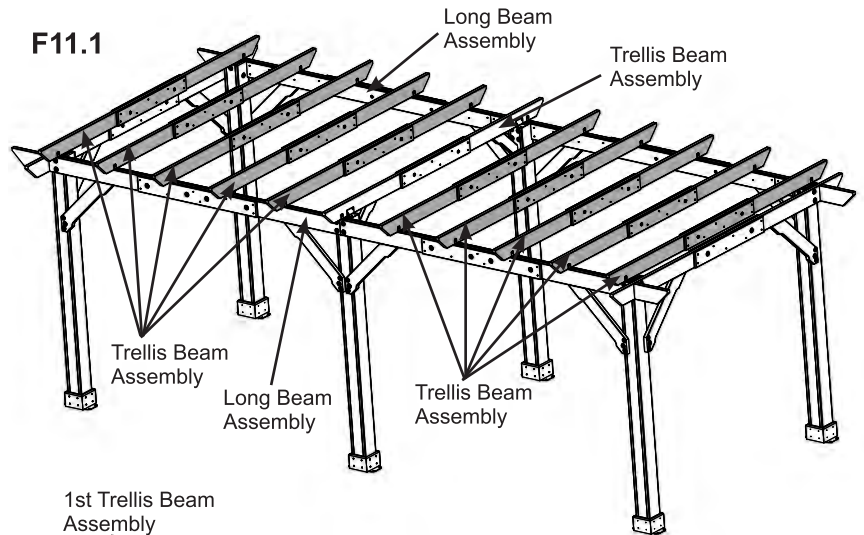


# Step 11: Attach Trellis Beam Assemblies

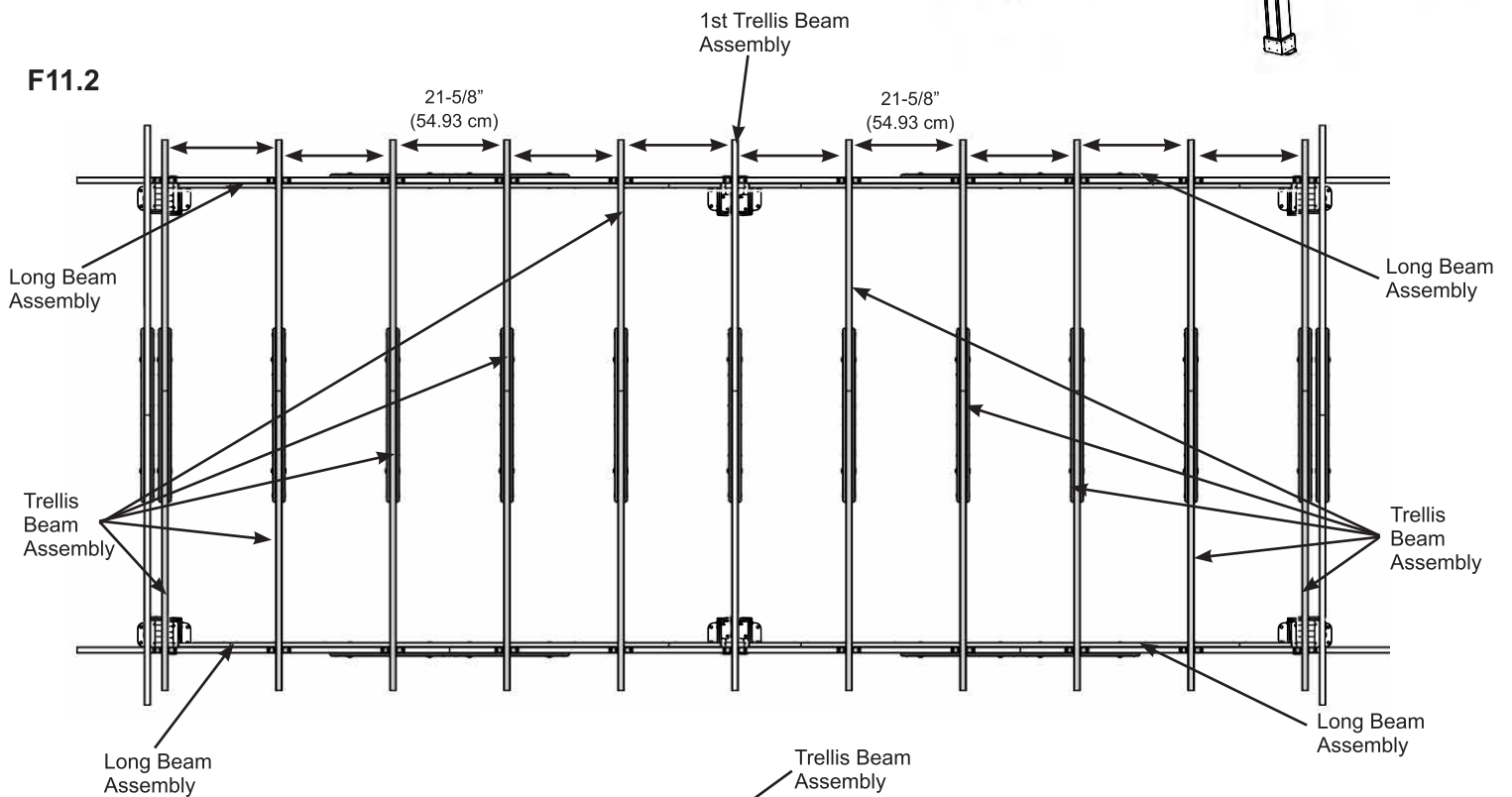


**A:** On each side of the first Trellis Beam Assembly place five Trellis Beam Assemblies. The distance between assemblies should measure 21-5/8" (54.93 cm). Attach to Long Beam Assemblies through Trellis Brackets with two #10 x 1-1/4" Pan Screws per end. (F11.1, F11.2 and F11.3)

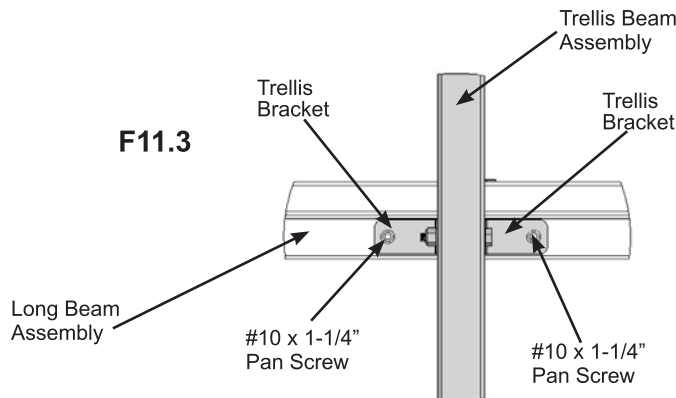
**F11.1**



**F11.2**



**F11.3**



## Hardware

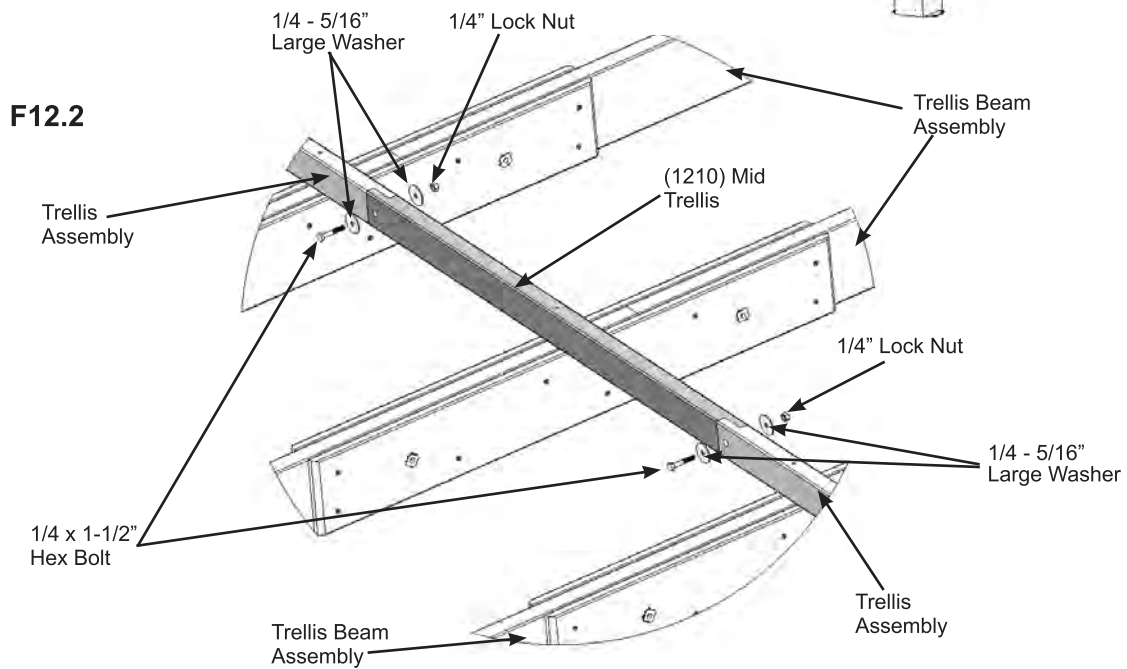
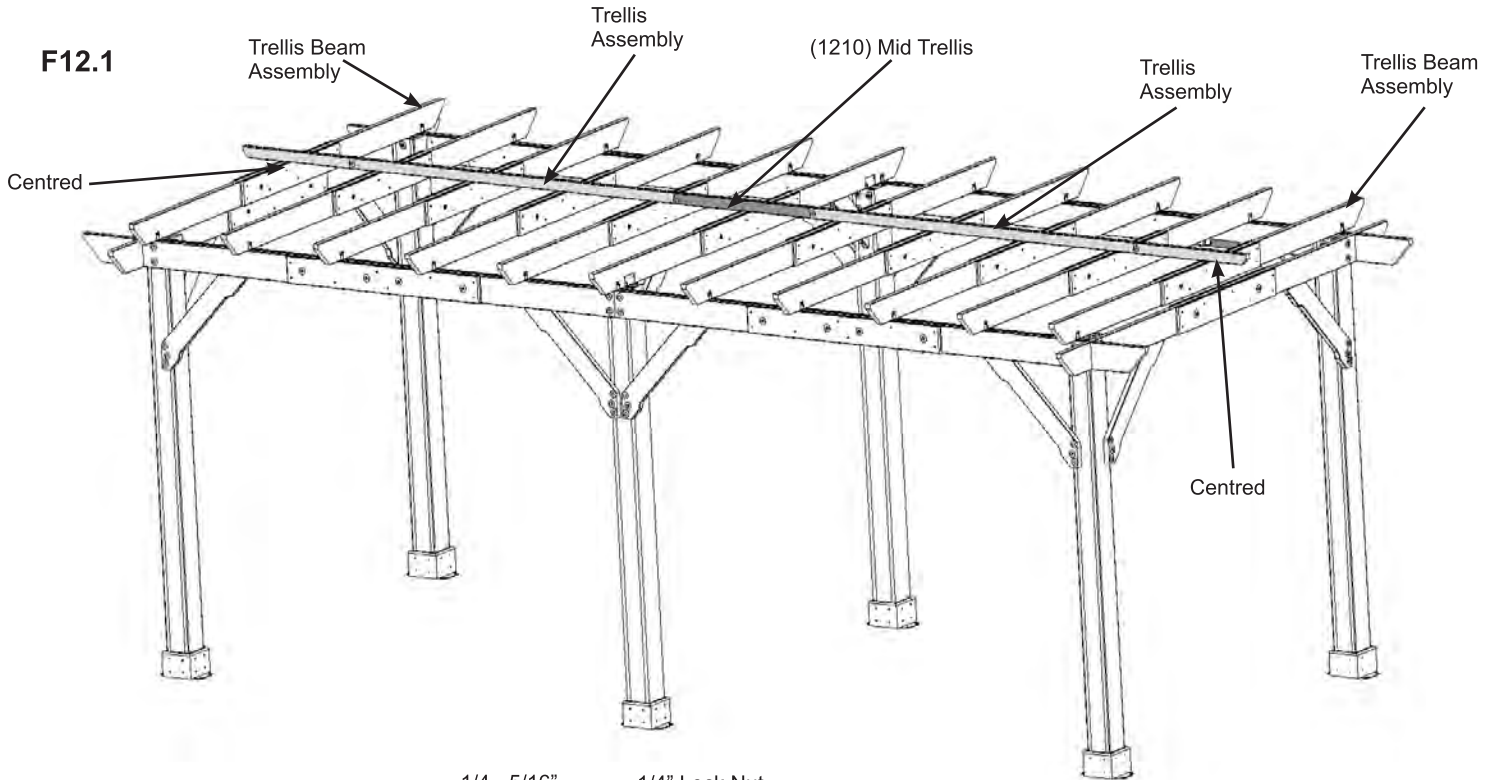
40 x #10 x 1-1/4" Pan Screw



# Step 12: Attach Trellis Assemblies Part 1



**A:** Measure each outside Trellis Beam Assembly to find the centre then place two Trellis Assemblies on top of the Trellis Beam Assemblies so the pilot holes are centred over the beam. Place one (1210) Mid Trellis in between Trellis Assemblies and attach with two 1/4 x 1-1/2" Hex Bolts (with 1/4-5/16" large washer x 2 and 1/4" lock nut). (F12.1 and F12.2)



### Wood Parts

1 x (1210) Mid Trellis

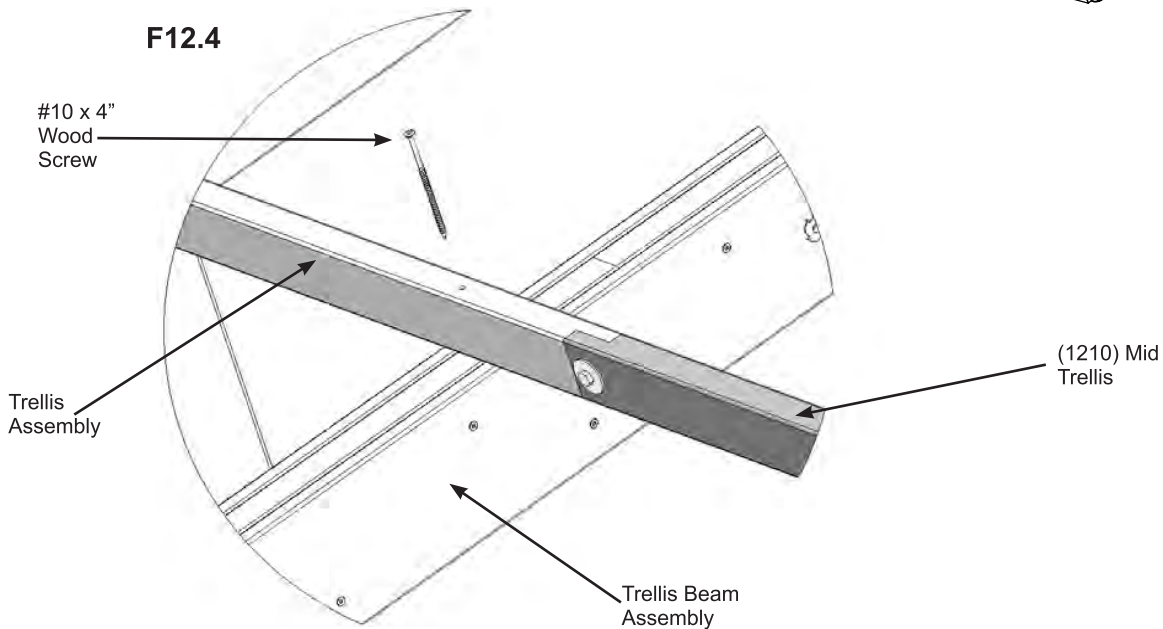
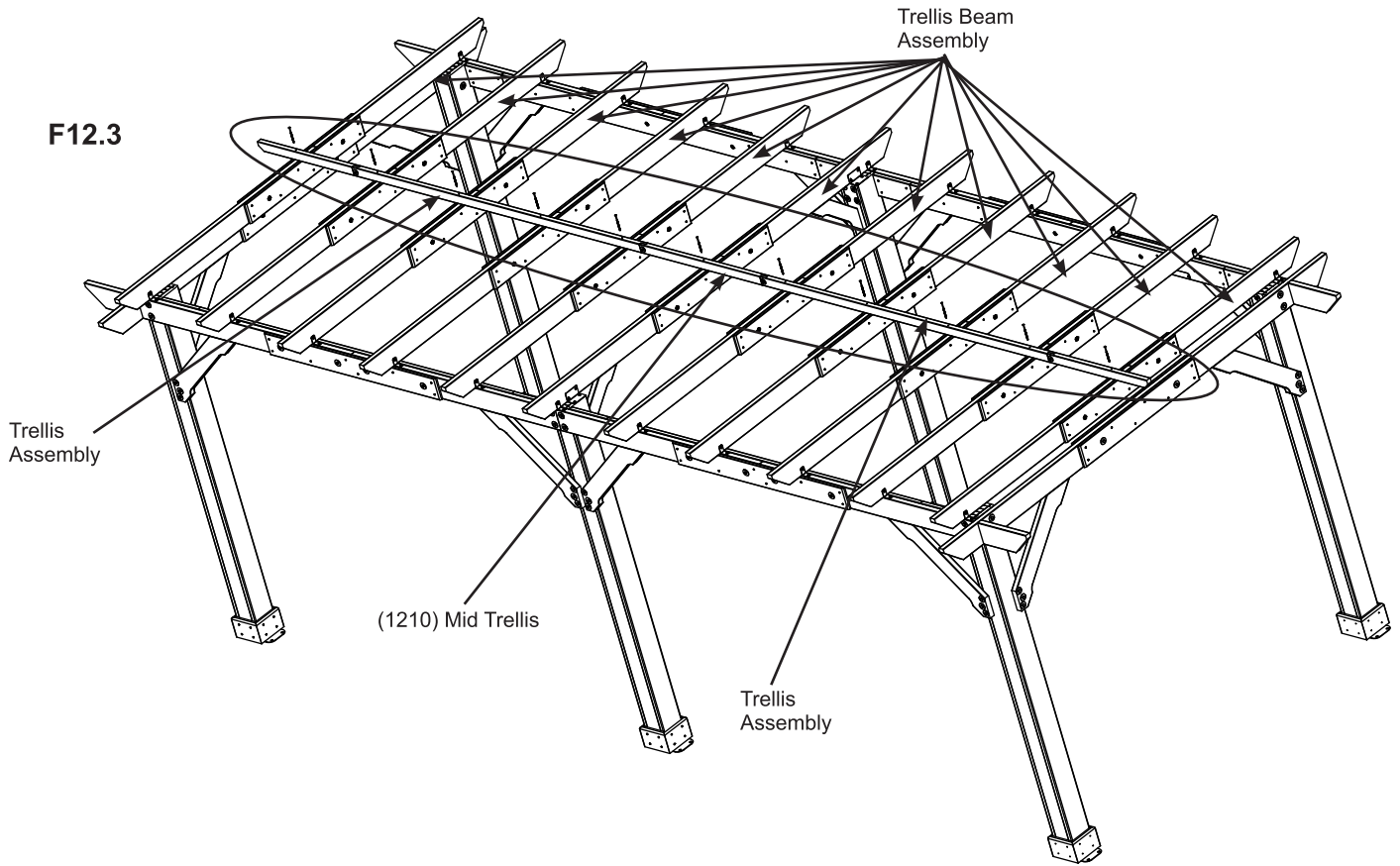
### Hardware

2 x 1/4 x 1-1/2" Hex Bolt  
(1/4-5/16" large washer x 2, 1/4" lock nut)

# Step 12: Attach Trellis Assemblies Part 2



**B:** Attach Trellis Assemblies and (1210) Mid Trellis to each Trellis Beam Assembly with 11 #10 x 4" Wood Screws. (F12.3 and F12.4)



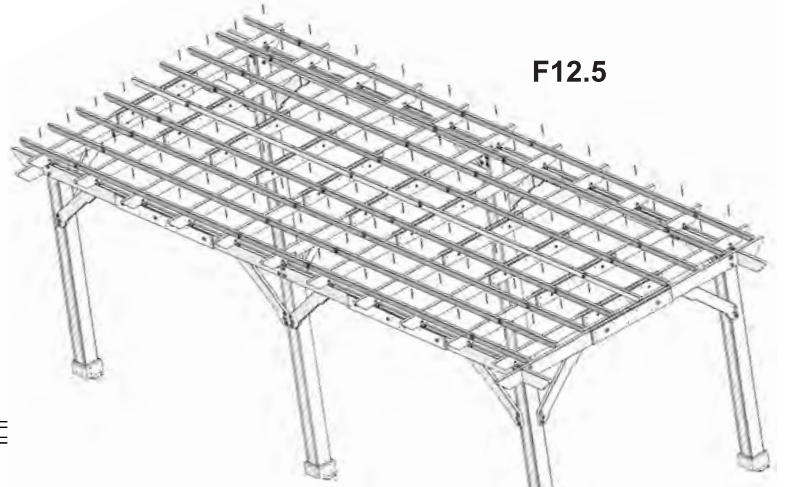
### Hardware

11 x #10 x 4" Wood Screw

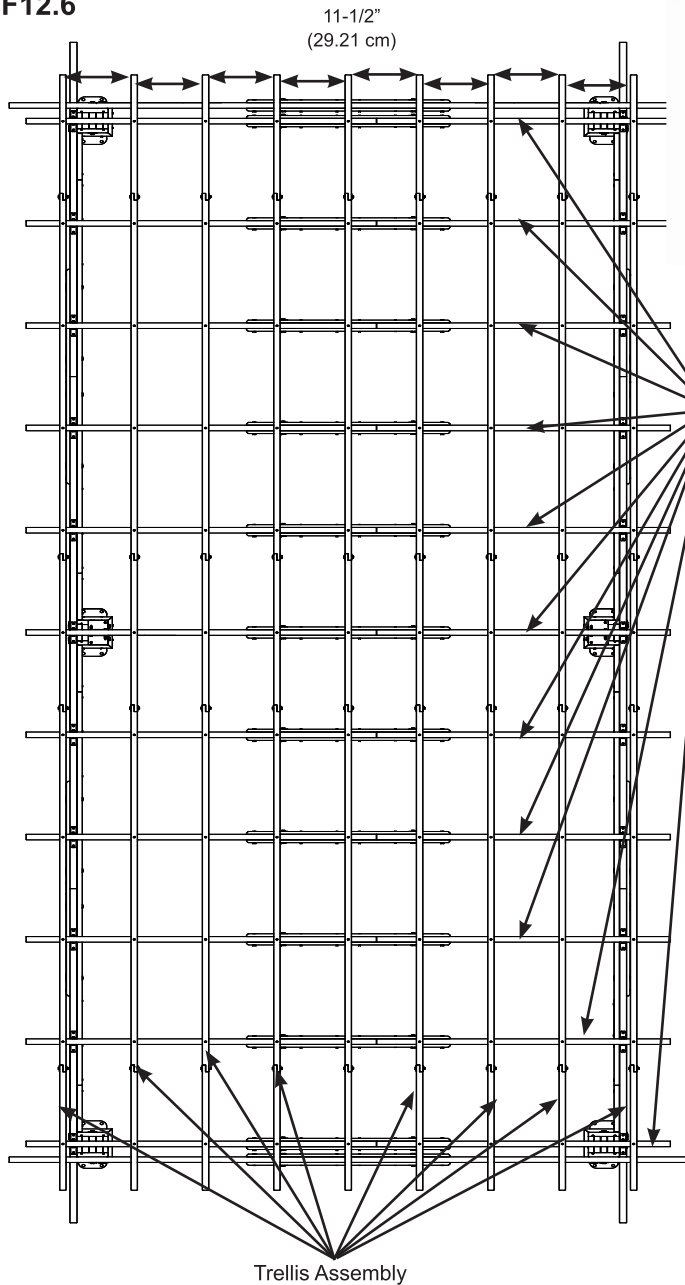
# Step 12: Attach Trellis Assemblies Part 3



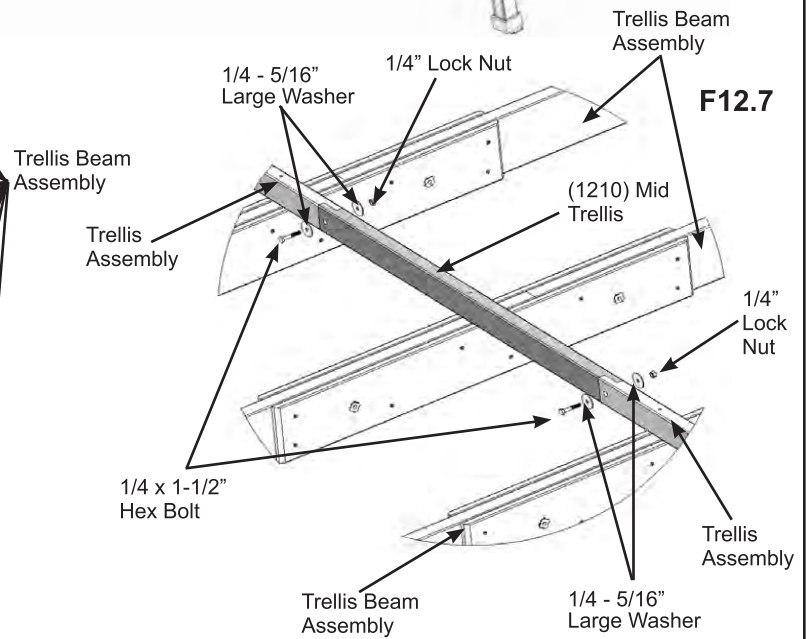
**C:** Moving outwards from each side of the first Trellis Assembly repeat Steps A and B for remaining Trellis Assemblies and (1210) Mid Trellis. Distance between each Trellis Assembly should be 11-1/2" (29.21 cm). (F12.5, F12.6, F12.7 and F12.8)



**F12.6**

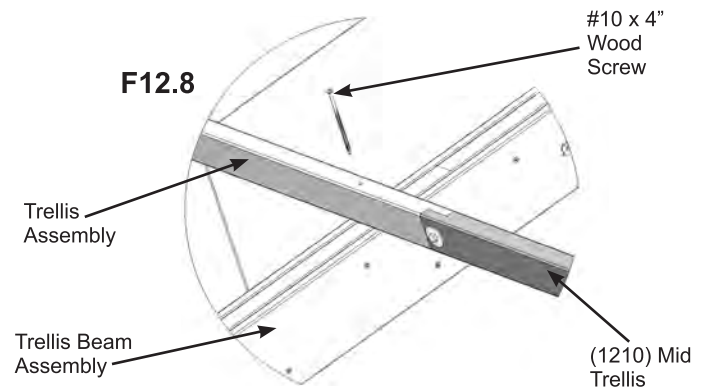


**F12.5**



**F12.7**

**F12.8**



**Wood Parts**

8 x (1210) Mid Trellis

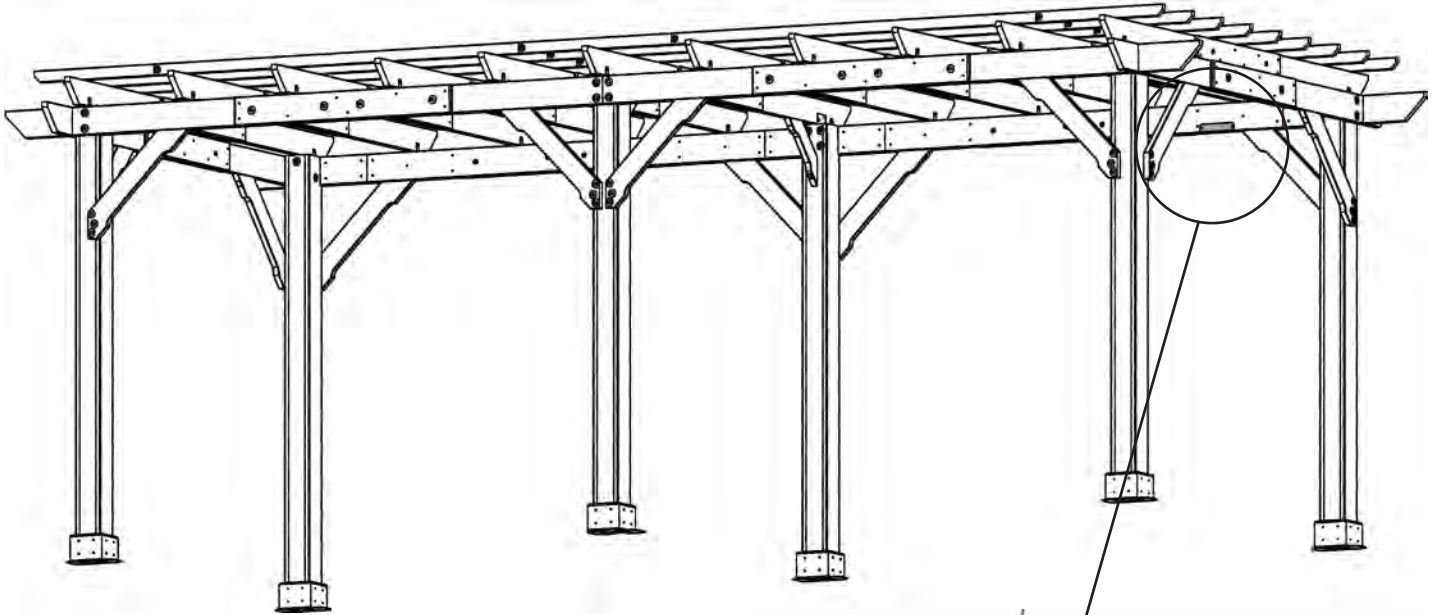
**Hardware**

16 x 1/4 x 1-1/2" Hex Bolt  
(1/4-5/16" large washer x 2, 1/4" lock nut)  
88 x #10 x 4" Wood Screw

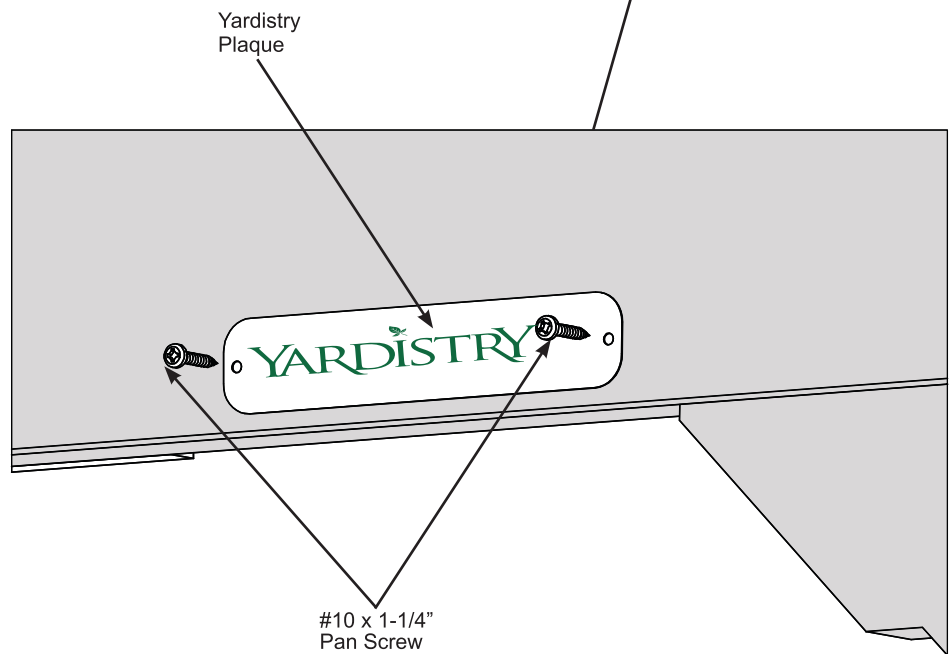
## Step 13: Attach Plaque

**A:** Attach Yardistry Plaque to a prominent location on your Pergola with two #10 x 1-1/4" Pan Screws. This provides warnings concerning safety and important contact information. A tracking number is provided to allow you to get critical information or order replacement parts for this specific model. (F13.1 and F13.2)

**F13.1**



**F13.2**



**Components:**

1 x Yardistry Plaque

**Hardware**

2 x #10 x 1-1/4" Pan Screw





## Customer Registration Card - Carte d'inscription du client - Tarjeta de Registro del Cliente

First Name - Prénom - Primer Nombre	Initial - Initiale - Inicial	Last Name - Nom de famille - Apellido

Street - Rue - Calle	PO Box - Boîte postale - Casilla postal	Apt. No. - App.

City - Ville - Ciudad	State/Province - État/Province - Estado/Provincia

ZIP/Postal Code - ZIP/Code postal - Código Postal	Country - Pays - País

E-mail Address - Adresse courriel - Dirección de E-mail	Telephone Number - N° de téléphone - No. de Teléfono

Model Name - Nom du modèle - Nombre del Modelo	Model Number (from front cover) - N° du modèle (page de couverture) - Número de Modelo (de la portada)

Date of Purchase - Date d'achat - Fecha de Compra (mm/dd/yyyy) (mm/jj/aaaa) (mm/dd/aaaa)	Place of Purchase - Lieu d'achat - Comprado a

Comments - Commentaires - Comentarios :

### Mail To - Envoyer par courrier à - Enviar por Correo a:

Yardistry  
375 Sligo Road West, PO Box 10  
Mount Forest, Ontario, Canada, N0G 2L0  
Attention: Consumer Relations  
À l'attention de: Service à la clientèle  
Atención a: Servicio de Atención al Cliente

### Online Registration - Enregistrement en ligne - Registro online:

[www.yardistrystructures.com/warranty](http://www.yardistrystructures.com/warranty)

Yardistry would like to say "Thank you" for your time and feedback.  
Yardistry aimerait vous remercier d'avoir pris le temps de répondre au sondage.  
Yardistry quiere "Agradecerle" por su tiempo y su opinión.