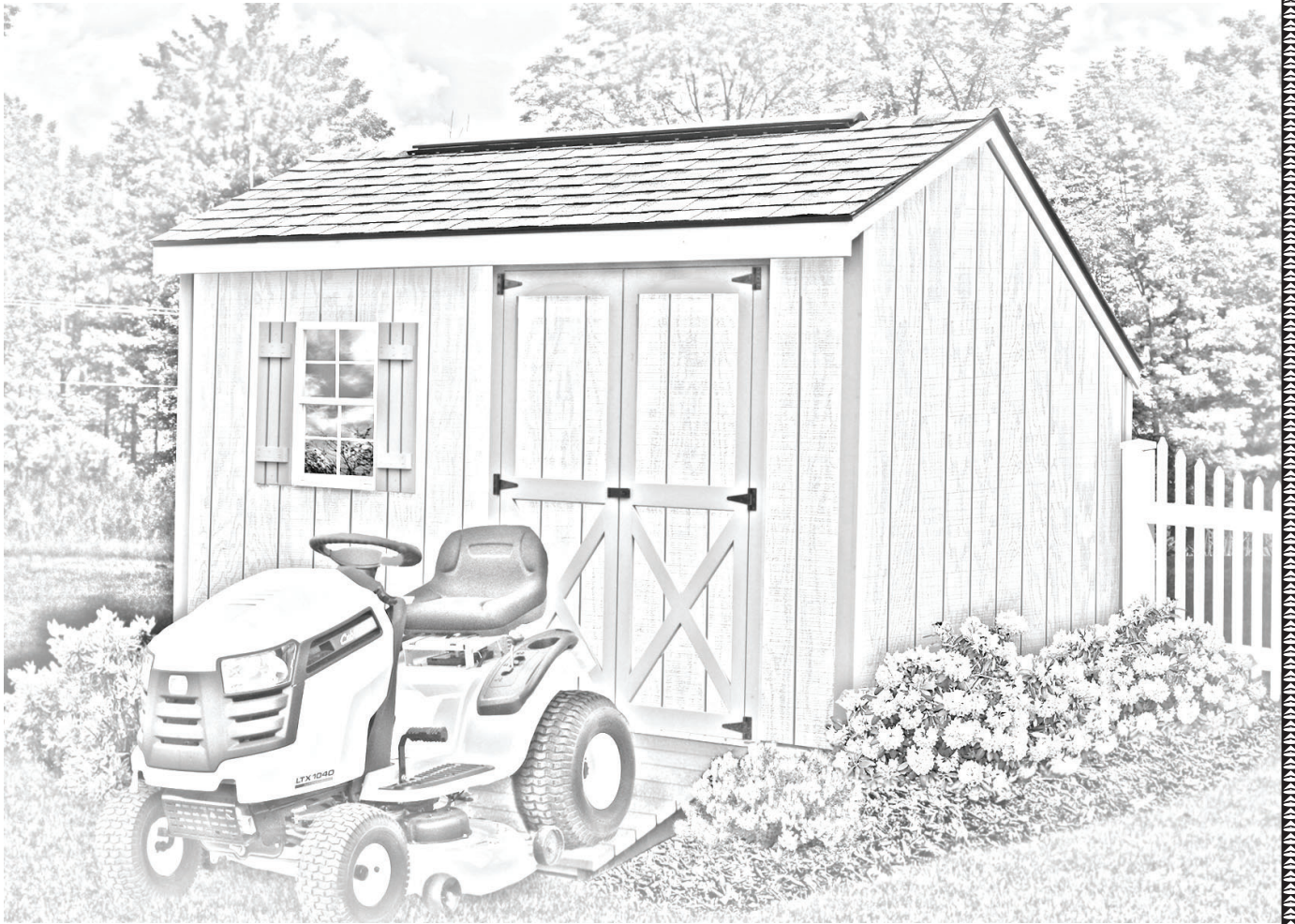




Assembly Book

Revised January 22, 2026



Sophisticated Salt Box

8' x 12'

Manufactured by RBS Holdings, LLC

205 Arlington Drive

Greenville, PA 16125

This manual is copyrighted. Under the copyright laws, this manual may not be copied, in whole or in part, without consent from

RBS Holdings, LLC

© Copyright 2022

IMPORTANT INFORMATION ABOUT YOUR KIT

Thank you for purchasing our kit. Please read the following information before beginning construction. Always check with your local HOA or building code office for any requirements or restrictions.

Floor: Wood flooring is sold optionally. You may choose to build your own or pour a cement pad.

Always wear safety glasses when cutting or nailing!

Tools Required: Hand or Circular Saw
Cordless Drill
Hammer
Pencil

Level
Measuring Tape
6'-8' Ladder(s)

Safety Glasses
Dust Mask
Phillips Screwdriver
Framing Square

Additional Materials - **Not included in kit:**

Required: Shingles or metal roofing, Drip Edge, Roofing Nails or Screws, Paint

Optional: Caulk, Ridge Vent

Terminology:

Square - Confirm corners are at 90 degrees

Plumb - Confirm walls and trusses are straight vertically

Wall Plate - Top and bottom 2x4s used to frame walls

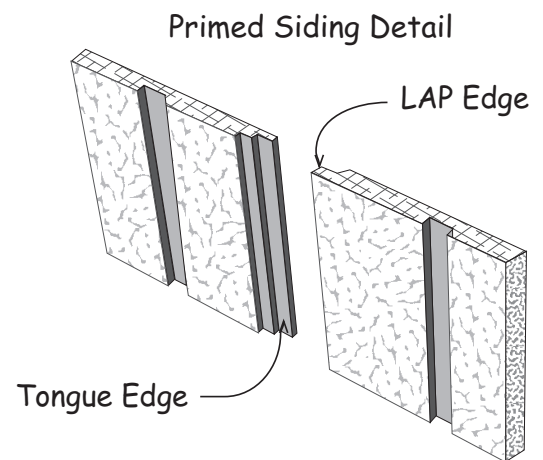
Tie Plate - 2x4s connecting wall sections together

Header - Spans top of door opening

OSB - Oriented Strand Board

LAP - Edge of siding that overlaps

Tongue - Edge of siding that is overlapped



Organize:

Unpack all items & organize according to size and type. This will make items easier to find when instructed.

Review the parts list on the back page. Should there be missing items or sub-par material contact Best Barns Customer Service.

DO NOT discard any material including the pallet until your project is complete.

Assembly:

Review all instructions before you begin. Please follow steps carefully and in sequence for successful results.

If you have any questions we are happy to assist you. Please contact us at:

Sales / Support 7am - 11pm CDT,

7 Days a Week

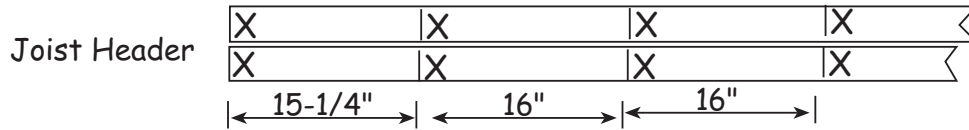
Phone 1-877-307-4337

Email - support@shedsforlessdirect.com

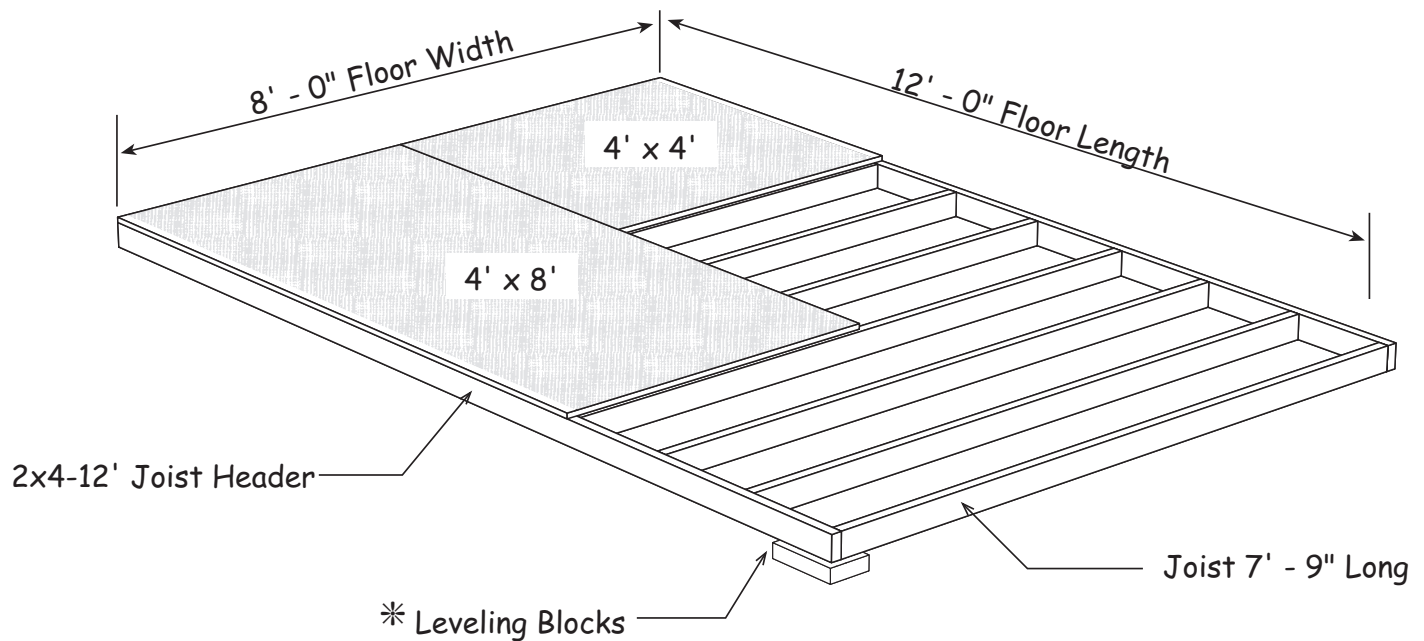
Construction Details for Optional Floor System

Check local building codes in your area, the construction may have to change. For a concrete slab, install sill sealer as a moisture barrier between the concrete and the wall plates. Foam sill sealer can be purchased at home centers in rolls 3-1/2" or wider.

1. Treated lumber is not cut to exact length. Cut (2) two 2x4-12' boards to 12'-0". Layout for 16" on center joist spacing. 'X' marks where floor joist will be placed.



2. Cut 2x4-8' floor joists to a length of 7'-9". *Treated lumber may be thicker than 1-1/2". Take this into account when cutting the length of floor joists. Shorten joist measurements if necessary to obtain 8'-0" building width.*
3. Install the floor joists, over the 'X' marks, between the 12' long joist headers. Use 16d galv. deck nails.



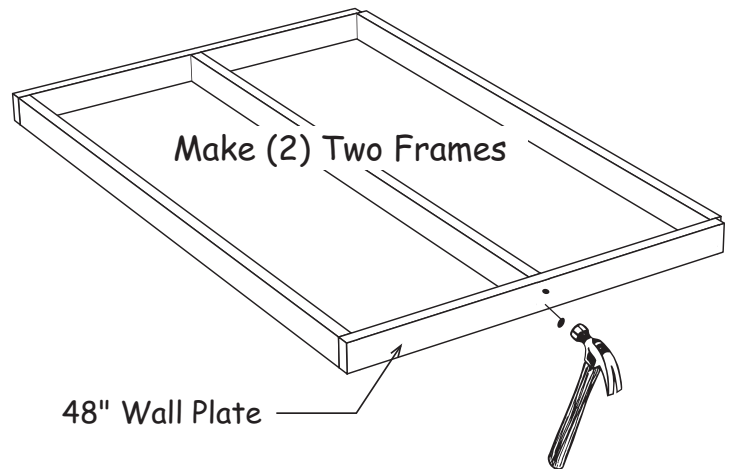
* *If necessary use bricks, patio stones or similar material to level or provide additional support to the floor. If your ground has low areas consider adding gravel and or 4x4 treated timbers to rest the floor on. If you use 4x4 timbers you will need (3) three pieces 12' long.*

It is important that the floor be level and square. Before nailing the flooring, measure the floor diagonally (corner to corner). Then measure the opposite corners. These measurements will be the same if the floor is square (173").

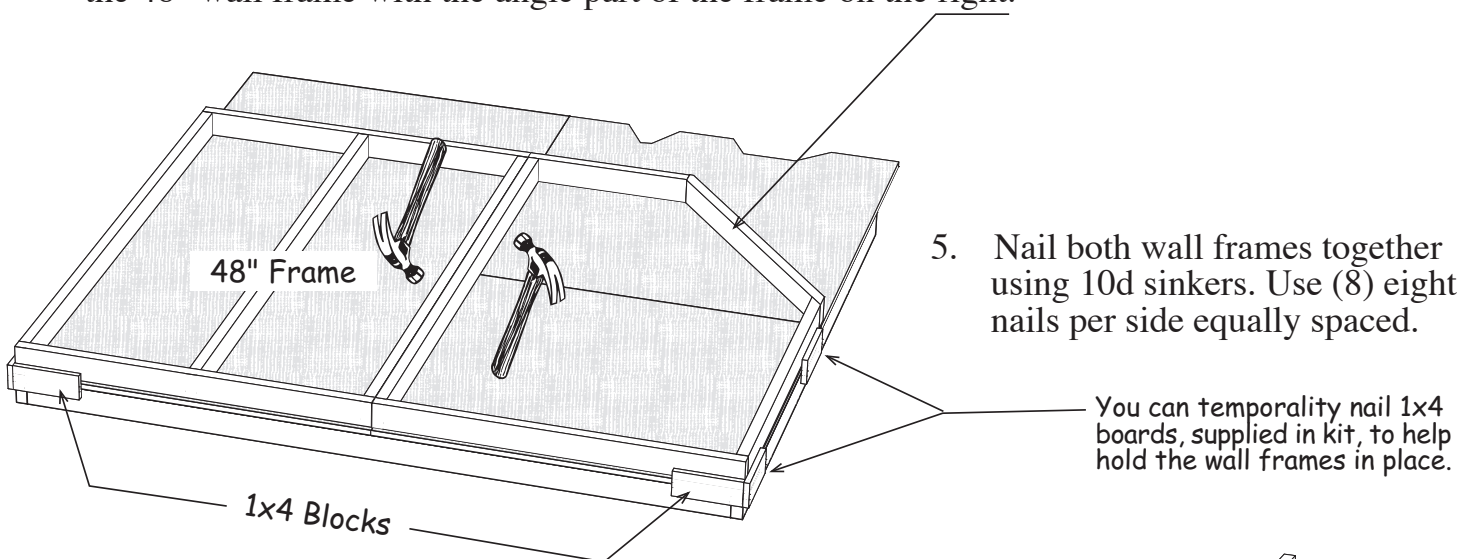
Material Description	8' x 12' Floor
2x4 Treated Headers	2 pcs. 12'
2x4 Treated Floor Joist	10 pcs. 8'
Flooring 5/8" 4x8	3 pcs. 4x8
8d Screw Floor Nails	1 lb. 8d
16d Galv. Box Nails	1 lb. 16d

Step 1A Assemble End Wall Frames

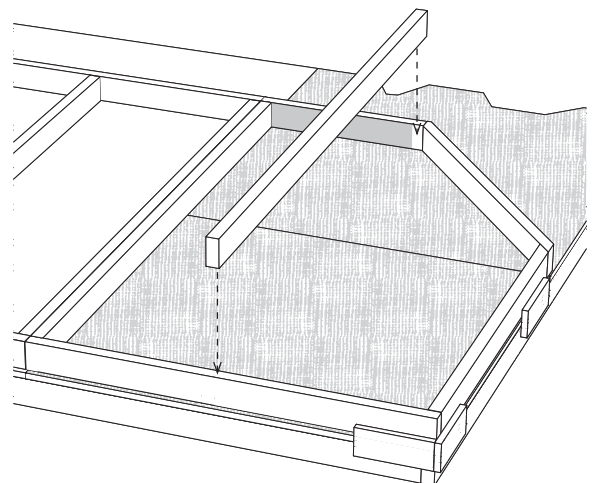
1. Install (3) three 2x4-72" wall studs between (2) two 48" long 2x4s. Install the center stud in the middle of the wall frame. Use (2) two 10 sinkers at each end of stud.
2. Repeat to make (1) one more 48" frame. Set aside.



3. Place (1) one of the 48" wall frames on floor positioned on the left. *Square frame by measuring diagonally (corner to corner).* The measurements will be the same when square.
4. Locate the (2) two pre-built 48" wall frames. Position *the one without the center stud* against the 48" wall frame with the angle part of the frame on the right.

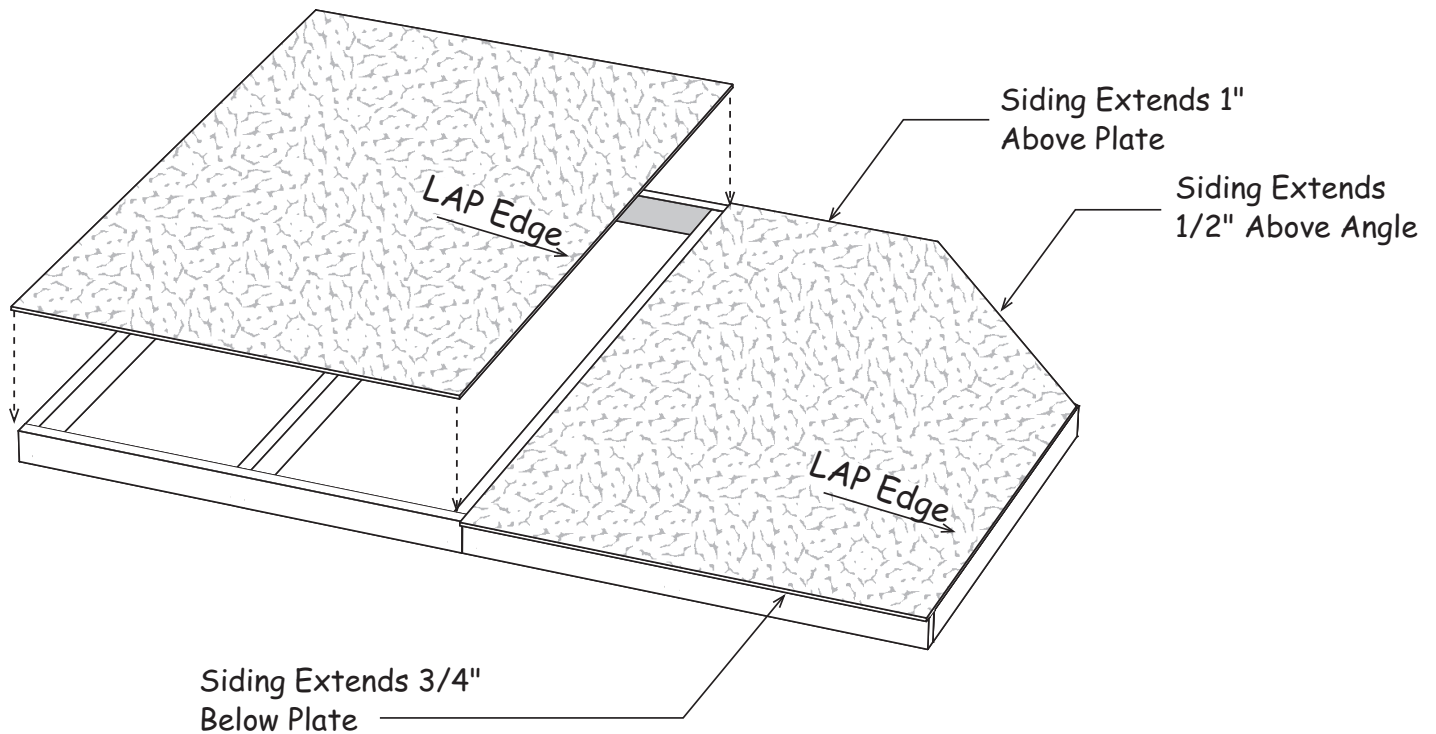


6. Install a 72" long 2x4 in the center of the wall frame. Refer to the other pre-built wall frame for proper position.

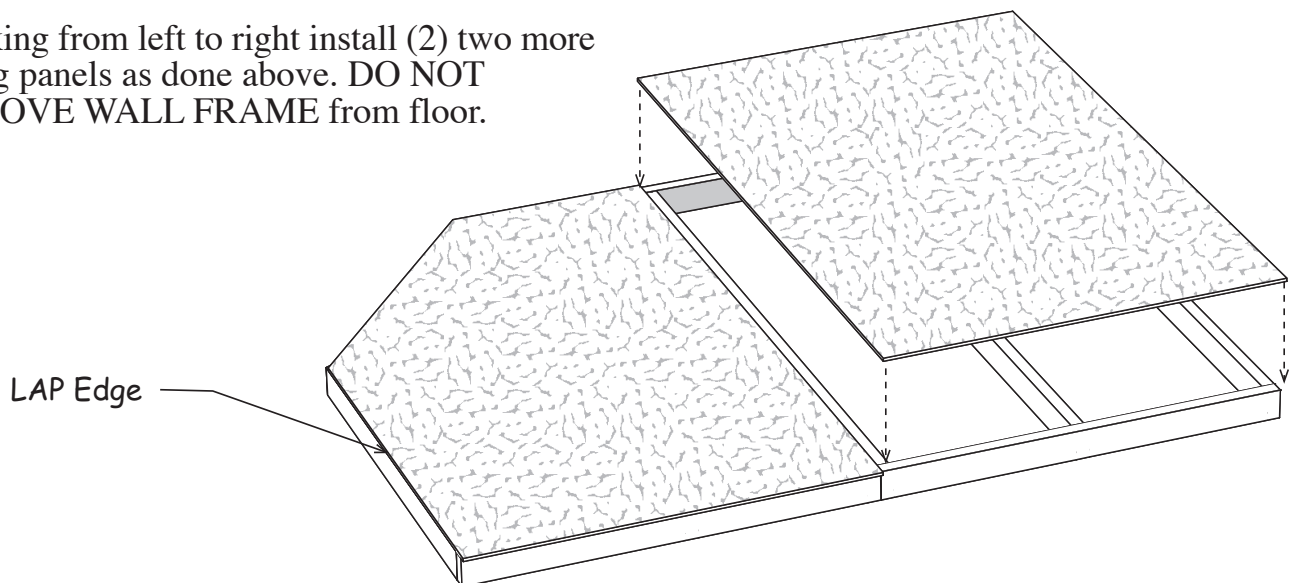


Step 1B Assemble End Wall Frames Contined

7. Install the siding panel with the angle cut with the 'LAP' edge flush with the end of the wall with the siding extending $\frac{3}{4}$ " below the bottom plate. The siding will extend $\frac{1}{2}$ " above the angled 2x4 of frame and 1" above top plate. Use 6d galv. nails spaced 8" apart.
8. Install a full width x $76\frac{3}{4}$ " siding panel on the left. Siding will extend $\frac{3}{4}$ " below bottom plate and extend 1" above the wall frame. Set wall aside.

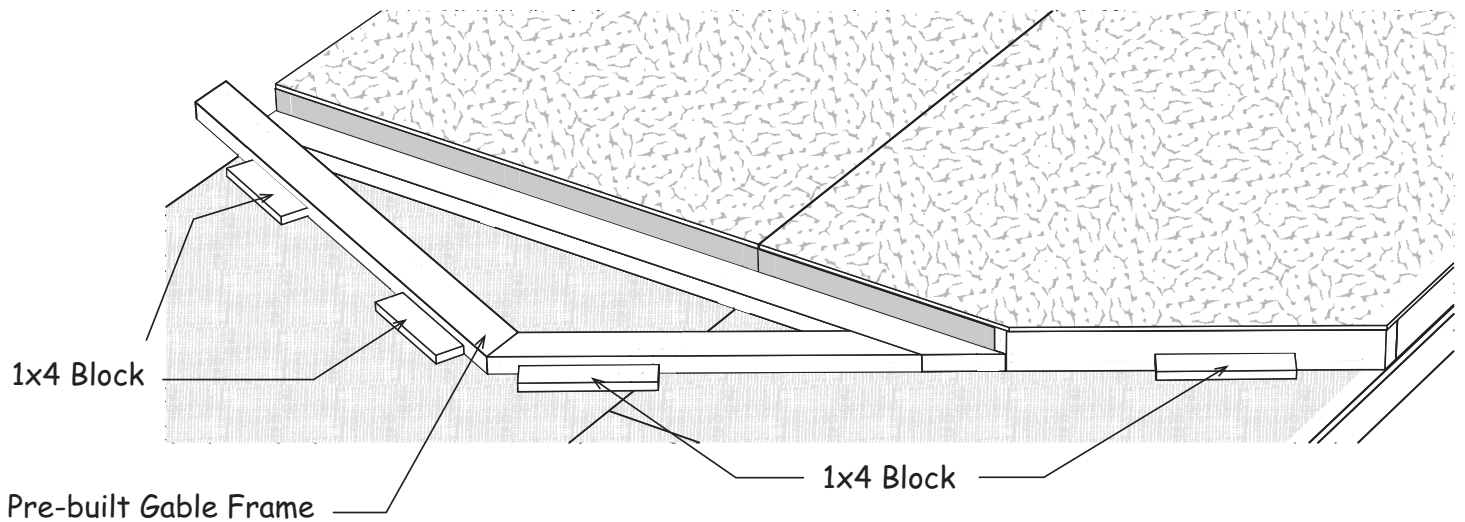


9. Position the other set of end wall frames on the floor. This time with the frame with the angle corner on the left as shown.
10. Working from left to right install (2) two more siding panels as done above. **DO NOT REMOVE WALL FRAME** from floor.

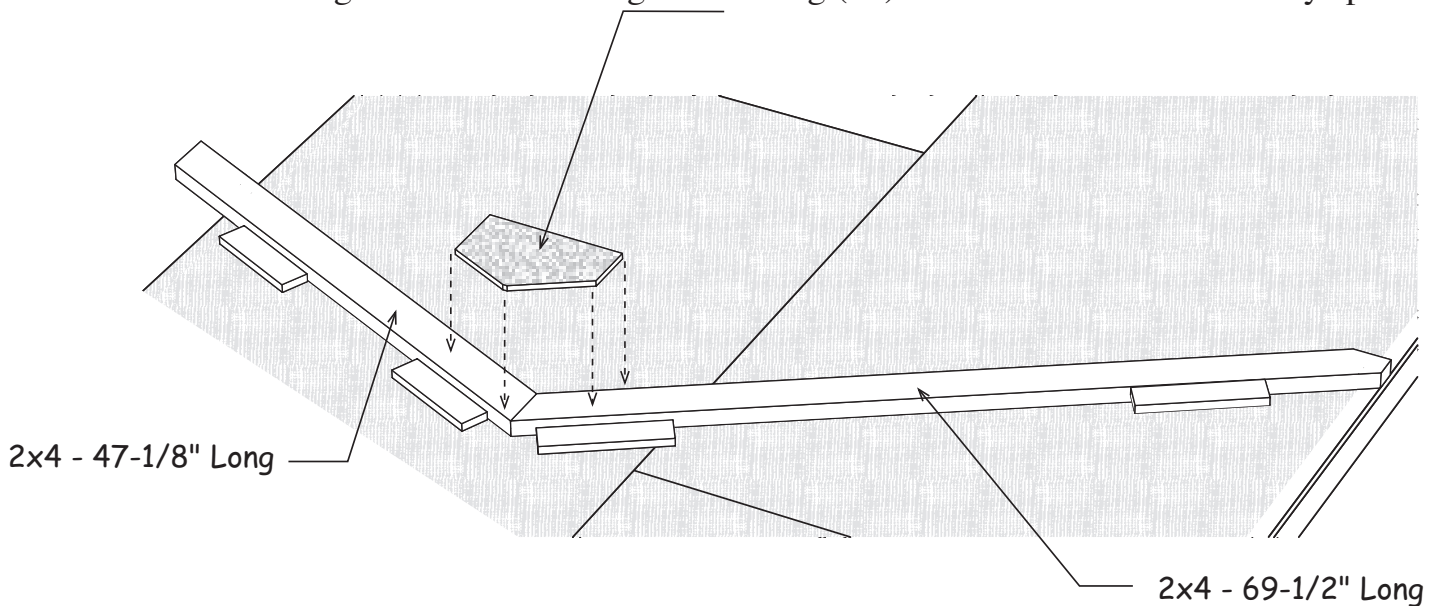


Step 2 Assemble Roof Trusses

1. Position one of the pre-built gable frames against the top edge of the end wall panels. Temporarily tack nail 1x4 blocks to the floor along the edge of the gable frame and on the angle of wall. **DO NOT** attach gable frame to wall in this step.
2. Remove the wall panels and the gable frame. Do not remove the 1x4 blocks. They will be used in the next step to make sure the trusses are assembled identically.



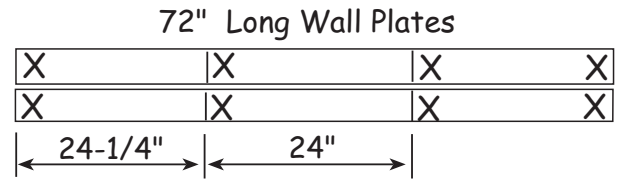
3. Position a 69-1/2" long 2x4 and a 47-1/8" long 2x4s on the floor against the 1x4 blocks and secure the 2x4s together with a wood gusset. Using (10) ten 6d common nails evenly spaced.



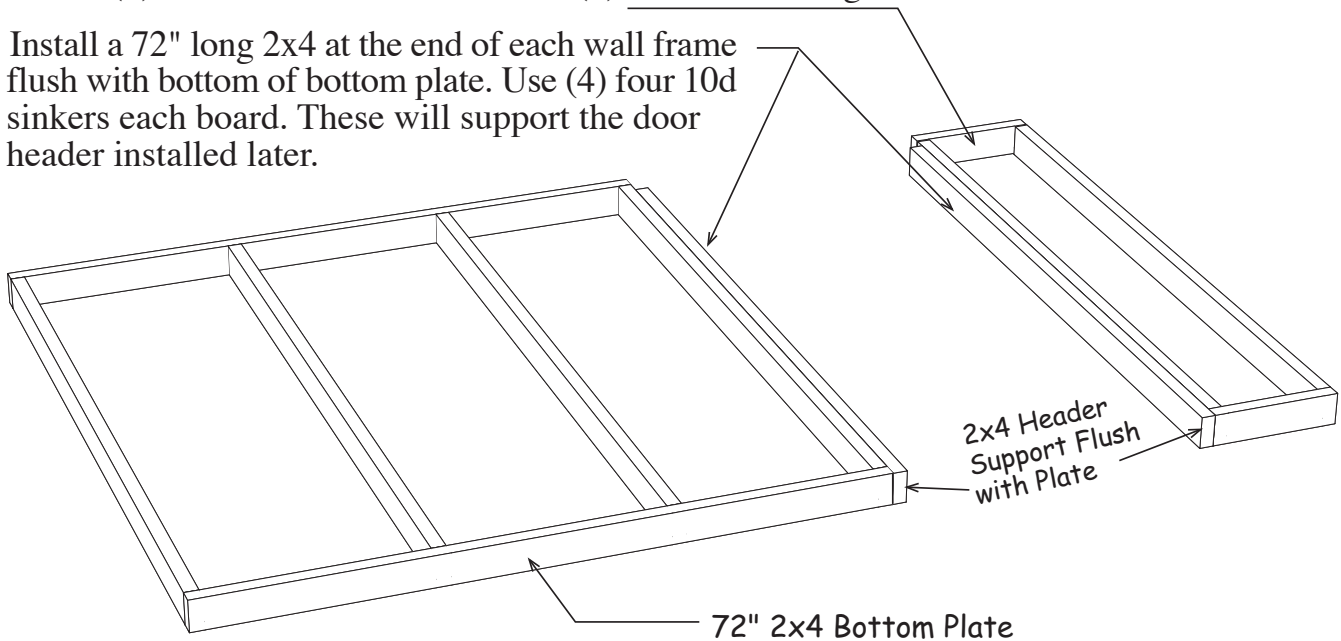
4. Turn truss over and apply wood gusset to the opposite side.
5. Assemble (4) four more trusses. Set all trusses aside and remove temporary 1x4 blocks.

Step 3 Assemble Front Wall Frames

1. Position (2) two 72" long 2x4 boards together and indicate with 'X' marks, where the wall studs will be located.



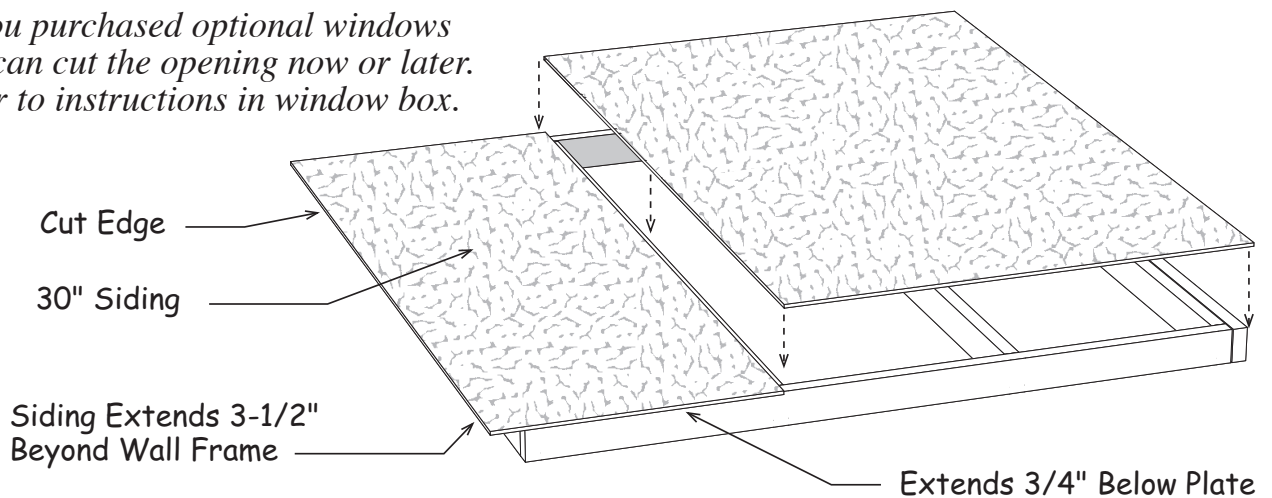
2. Install (4) four 2x4-72" wall studs between the 2x4s from above. Use 10d sinkers.
3. Install (2) two 72" wall studs between (2) two 13-1/2 long 2x4s .
4. Install a 72" long 2x4 at the end of each wall frame flush with bottom of bottom plate. Use (4) four 10d sinkers each board. These will support the door header installed later.



If you want to locate the door on the left turn the walls over before applying the siding.

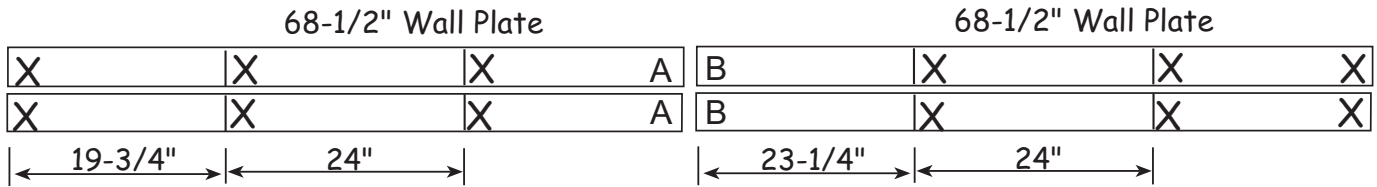
4. Install a 30" x 76-3/4" siding panel. The siding will extend 3-1/2" beyond the left end of the wall frame. The siding should extend 3/4" below the bottom plate and will extend 1" above the top plate. Install a full width x 76-3/4" siding panel on the right side of the wall panel. This panel will be flush with header support.

If you purchased optional windows you can cut the opening now or later. Refer to instructions in window box.

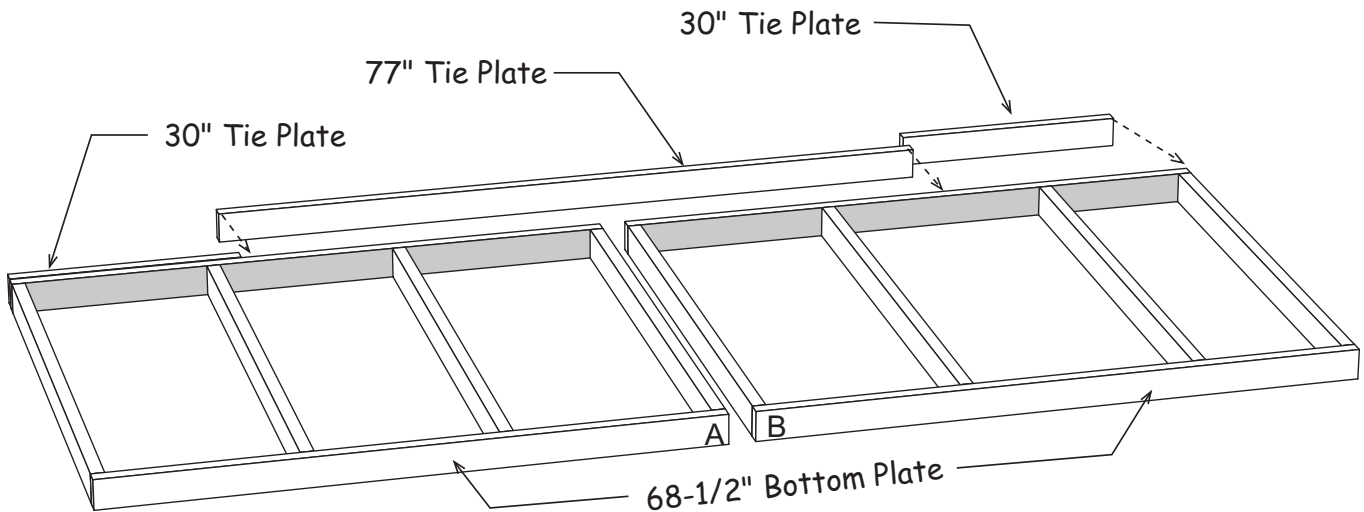


Step 4 Assemble Back Wall

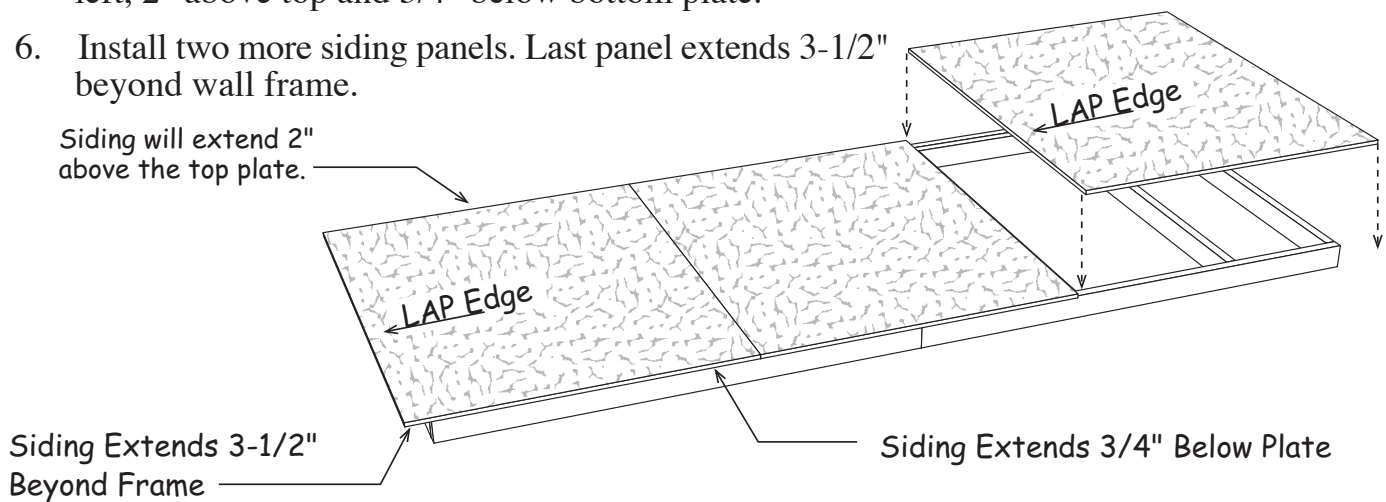
1. Position (4) four 68-1/2" long 2x4s together and indicate with 'X' marks, where the wall studs will be located. Mark the ends that will butt together with the letters 'A' and 'B'.



2. Install 52-7/8" long wall studs, between the wall plates, over the 'A', 'B' and 'X' marks. Use 10d sinkers. Nail wall frames together. *Square wall frame.*
3. Install a 30" long 2x4 as a tie plate flush with end of wall. Use 10d sinkers spaced 10" apart.
4. Install a 77" long 2x4 next. Finish with another 30" long 2x4.

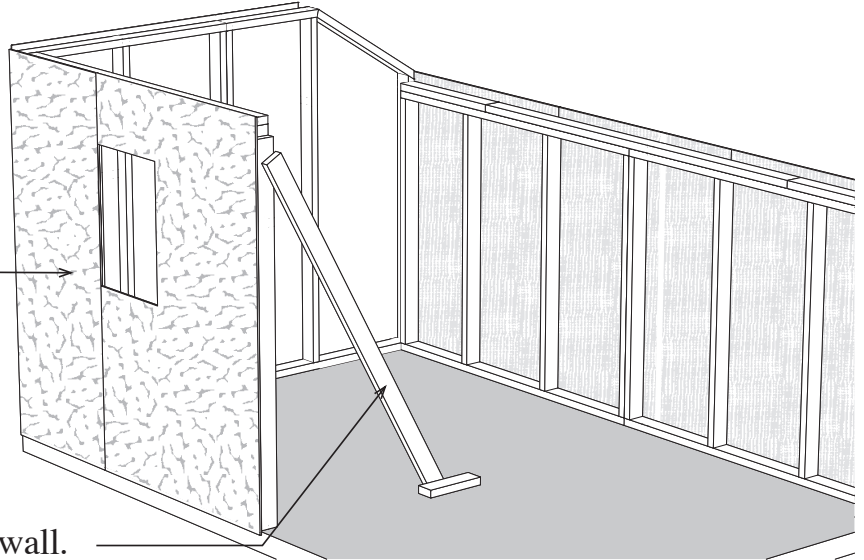


5. Install a 60" long full width siding panel x 60". The siding should extend 3-1/2" beyond the wall frame on left, 2" above top and 3/4" below bottom plate.
6. Install two more siding panels. Last panel extends 3-1/2" beyond wall frame.



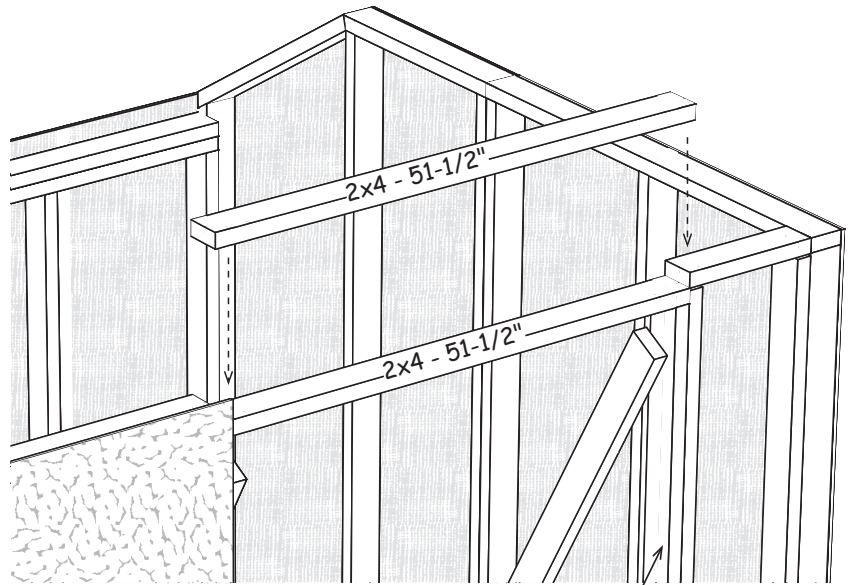
Step 5 Set Walls

1. Set the back wall and left side end wall on floor. Secure walls at corner with (4) four 10d coated sinkers. Use 10d sinkers or, if erecting on a concrete slab, concrete anchor bolts (not included) spaced 24" apart
2. Set the larger front wall panel.

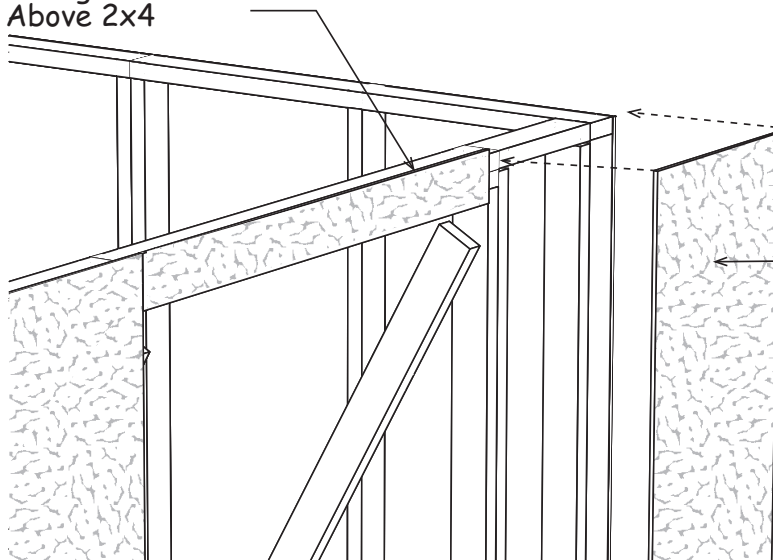


3. Use a 6' long 2x4 to brace the front wall.

4. Install the other end wall panel and the 13-1-2" wall frame. Brace wall frame with another 6' long 2x4.
5. Insure walls are plum and door opening is square. Secure wall to floor.
6. Install (2) two 51-1/2" long 2x4s. Nail 1st board into top of header supports using 10d sinkers. Then nail 2nd board to 1st.



Siding Extends 1" Above 2x4



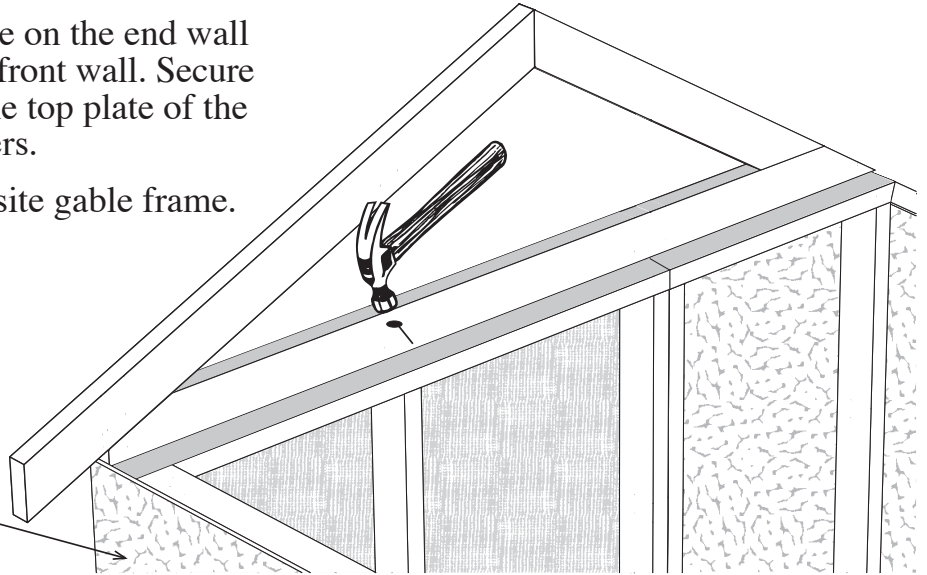
2x4 Header Support

7. Install a full width x 4-3/4" siding panel over the door header. Install 1" above top of 2x4.
8. Install a 18" x 76-3/4" siding panel to finish.

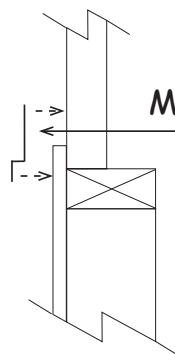
Step 6 Set Gables - Install 2X4 Tie Plates

1. Position a pre-built gable frame on the end wall against siding on end wall and front wall. Secure the frame by toe nailing into the top plate of the end wall. Use (6) six 10d sinkers.
2. Repeat step to install the opposite gable frame.

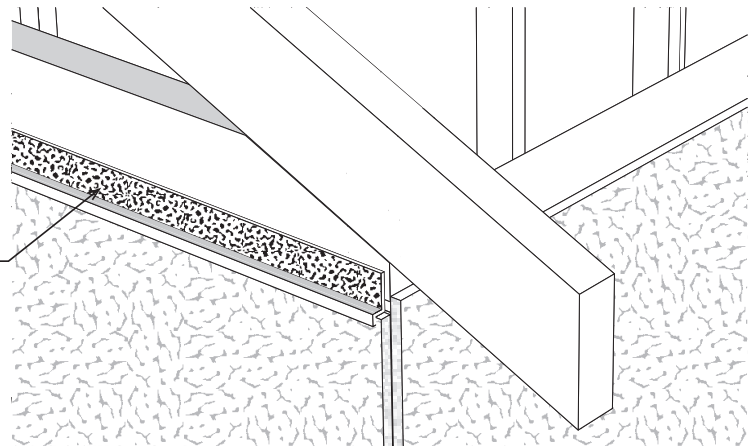
Front Wall of Shed



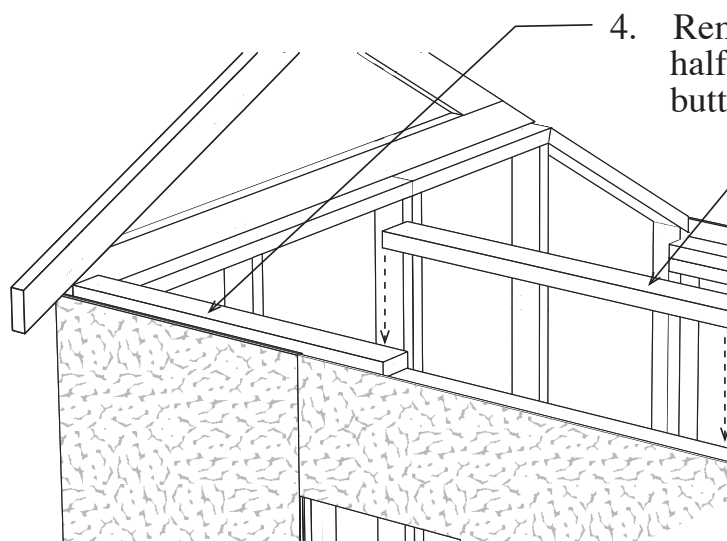
3. Install metal flashing on top of the siding. Nail with a couple of 6d galv. nails to hold the flashing in place until the siding is installed next.
4. Install flashing on opposite wall.



Metal Flashing



4. Remove a 6' long 2x4 used to brace wall and cut in half. Install the 3' long 2x4 over the front wall plate, butted against the gable frame. Use 10d sinkers.

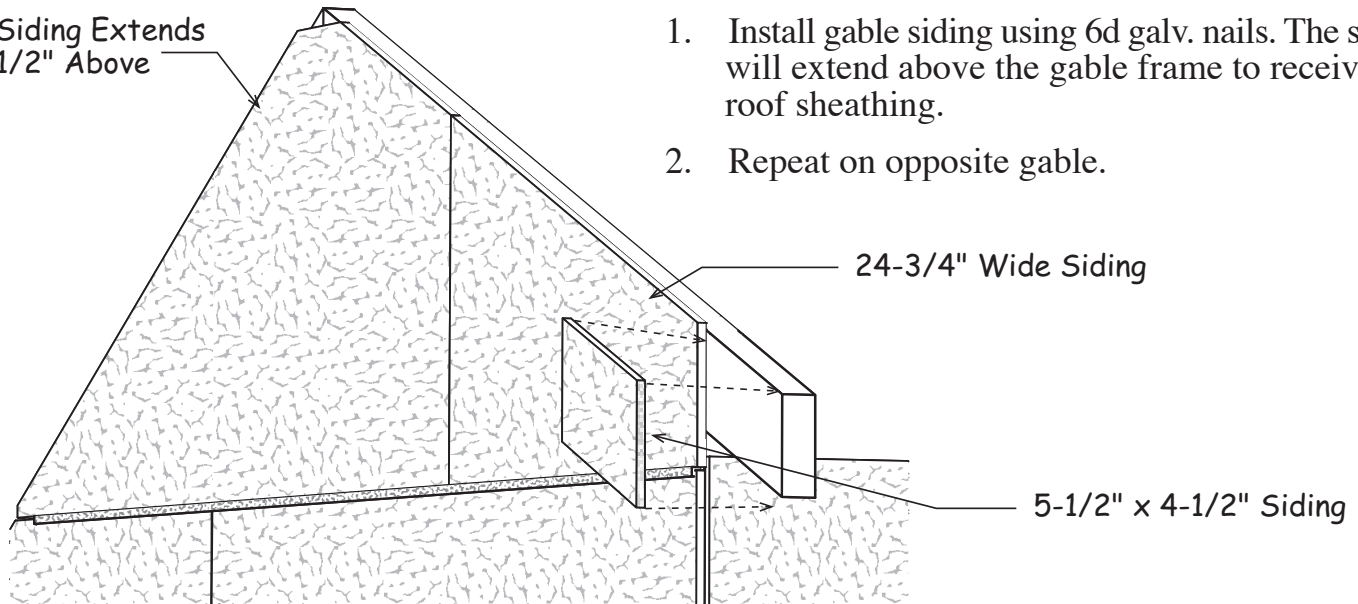


5. Remove the other wall brace and install next. Cut the 2nd 3' long 2x4 to fit against gable frame. Use 10d sinkers.

Step 7 Side Gables

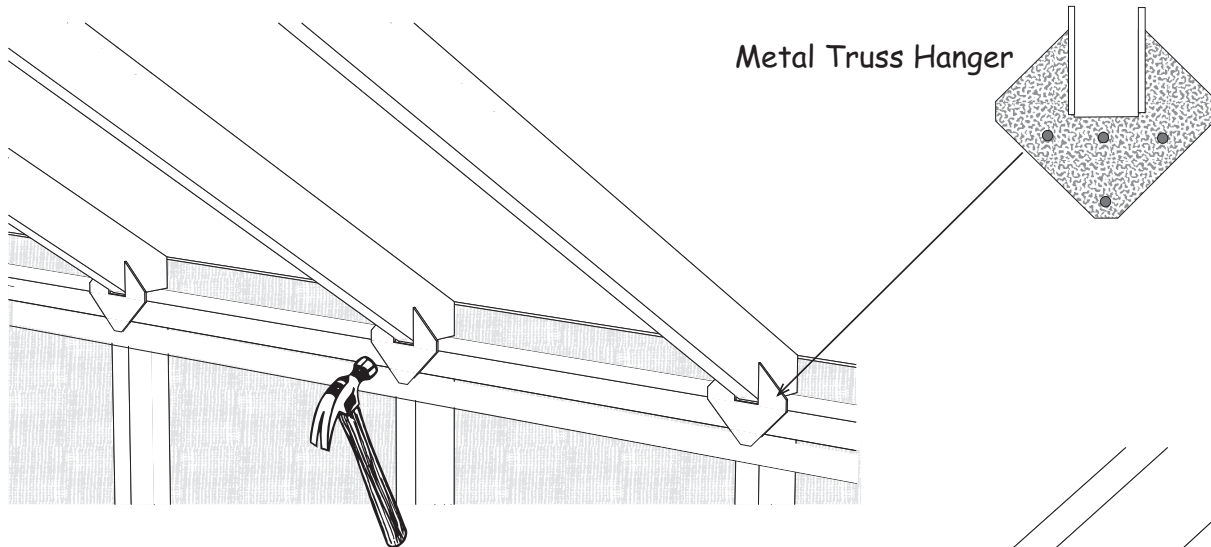
Siding Extends
1/2" Above

1. Install gable siding using 6d galv. nails. The siding will extend above the gable frame to receive the roof sheathing.
2. Repeat on opposite gable.

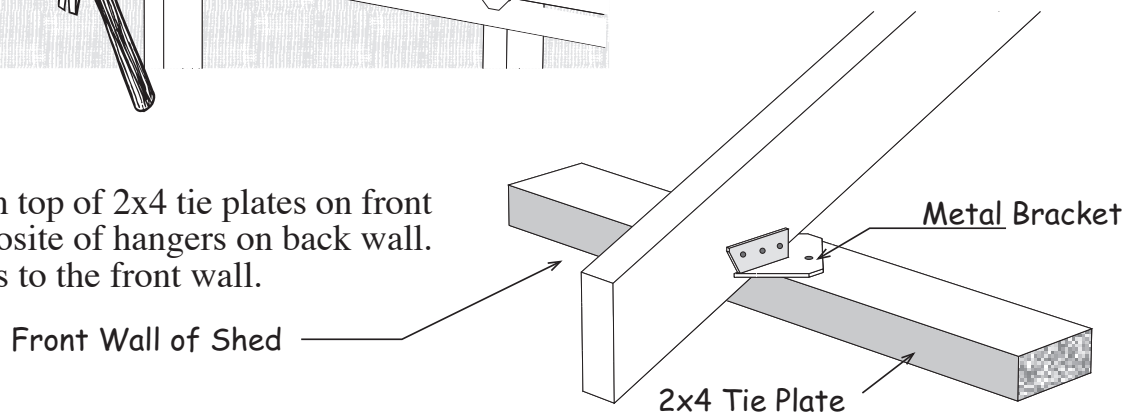


Step 8 Set Trusses

1. Install 2x4 roof trusses directly over each wall stud on the back wall. The 3rd truss will be directly over the middle of the double studs. Secure trusses in place with metal truss hangers. Use 7d hanger nails to secure the metal hanger to the 2x4 wall plates and trusses.

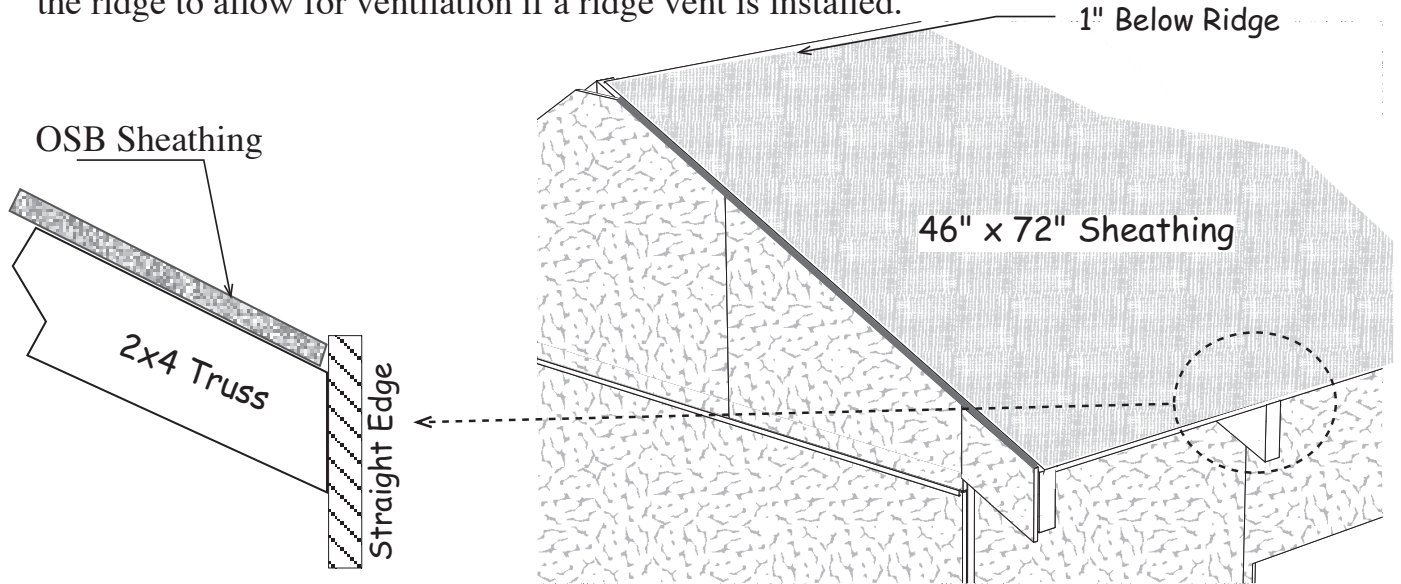


2. Install hangers on top of 2x4 tie plates on front wall directly opposite of hangers on back wall. Secure the trusses to the front wall.



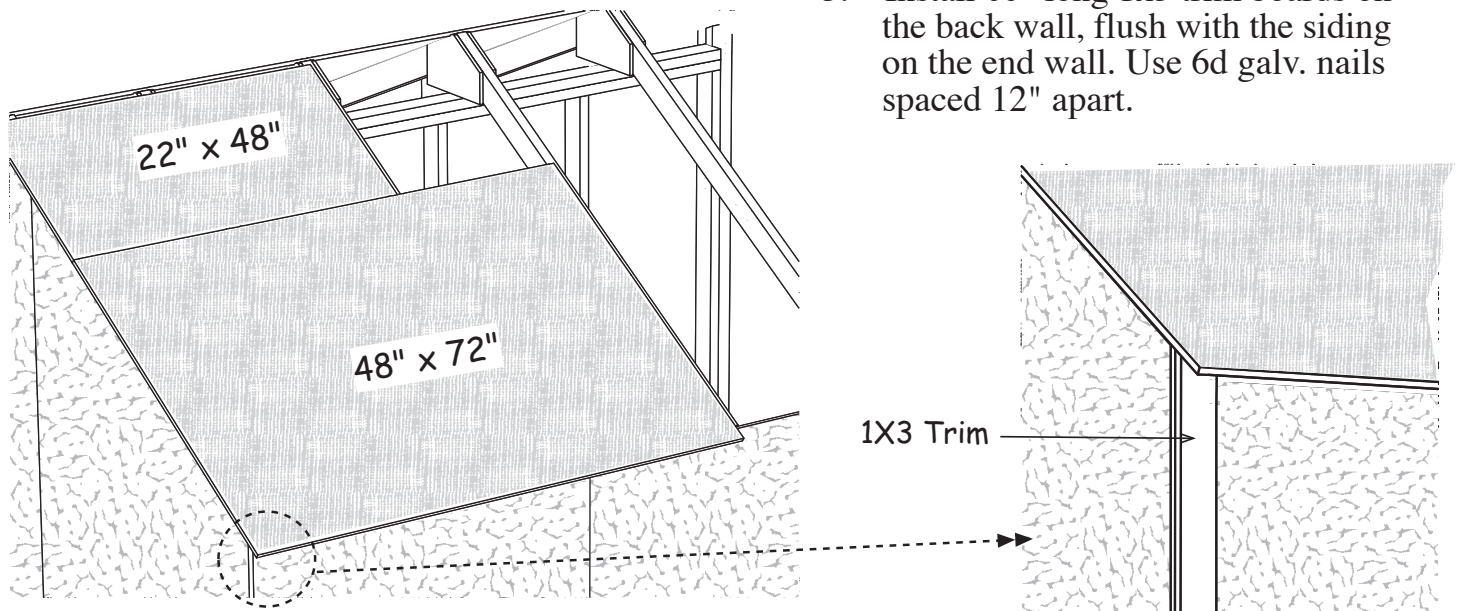
Step 9 Install Roof Sheathing

1. Install (2) two 46" x 72" OSB sheathing panels across the front of the roof. Butt 46" edge against back of gable siding. The 72" edge should be flush with the end of the 2x4 truss, *see detail below*. Make sure the trusses are plumb and the roof sheathing meets the center of the 3rd truss. Use 6d common nails spaced 12" apart. The roof sheathing will be about 1" below the ridge to allow for ventilation if a ridge vent is installed.



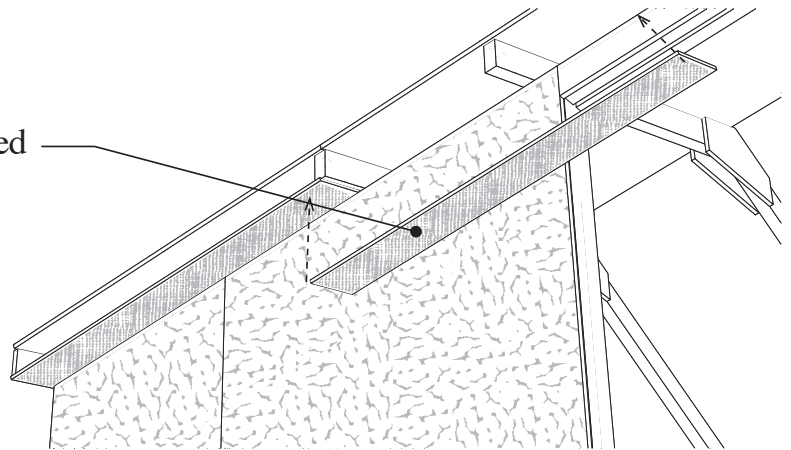
3. Starting in lower left rear corner install (2) one 48" x 72" OSB sheathing across roof. Butt the 48" edge against back of gable siding and position the bottom edge 2-1/2" past back wall siding.
4. Install (3) three 22" x 48" wide roof sheathing across the top of the building. Siding will be about 1" below ridge.

5. Install 60" long 1x3 trim boards on the back wall, flush with the siding on the end wall. Use 6d galv. nails spaced 12" apart.

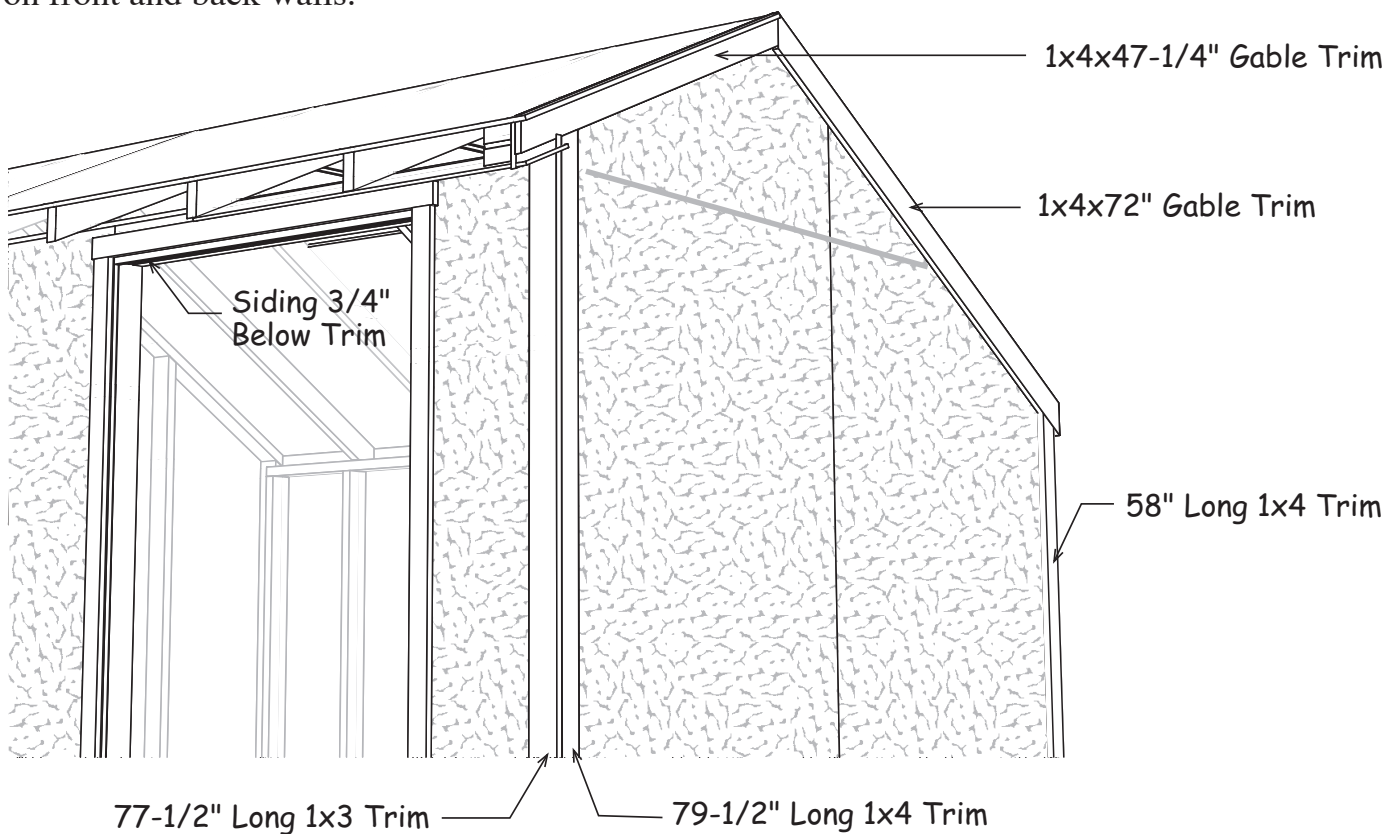


Step 10 Install Soffit and Trim

1. Install 6-1/4" x 48" soffit panels with primed side facing down under the front truss overhang. Use 6d galv. nails.



2. Install (1) one 1x4x47-1/4" and (1) one 1x4x72" long gable trim, flush with the top of the roof sheathing on each end wall. Use 6d galv. nails.
3. Install (2) two 77-1/2" long 1x3 trim *on the front corners*, flush with the siding on the sidewall.
4. Install the remaining (4) four 1x4 trim boards at the end wall corners flush with the 1x3 trim on front and back walls.

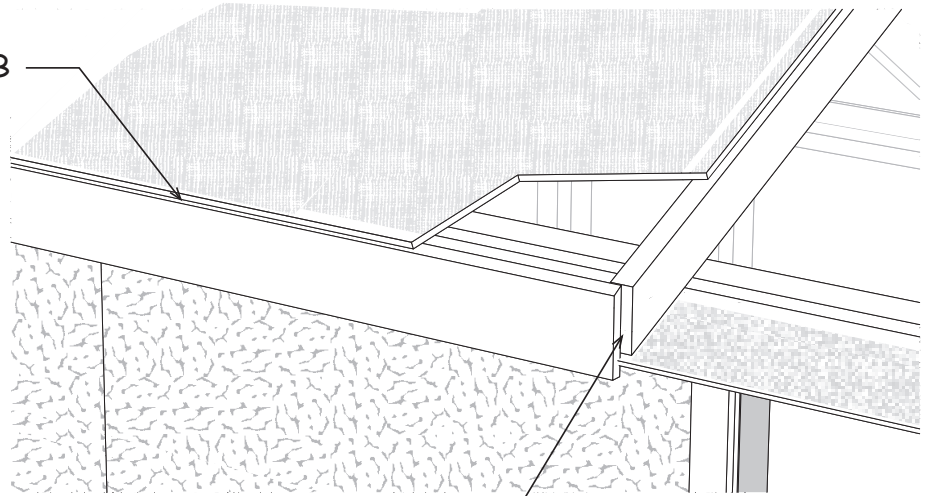


5. Install (2) two 1x3x72" boards along each side of the door opening, flush with the bottom edge of the siding. Tack these boards with a couple nails; you may want to move the trim later when you install the doors. Install a 1x3x55-1/4" board, *that has angle cuts on both ends*, across the top of the side trim. About 3/4" of siding will hang below top trim.

Step 11 Install Front 1x6 Fascia

1. Install 1x6 fascia over the ends of the trusses and gable ends, flush with the top of the roof sheathing. Cut a 75" long 1x6 board so to be flush with the face of left wall gable trim and center of 3rd truss. Use 6d galv. nails.
2. Cut to fit the last 1x6x75" board and install to finish.

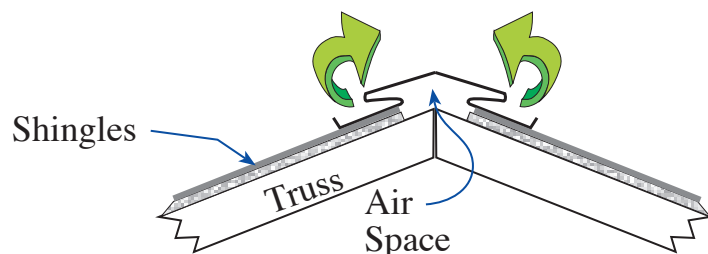
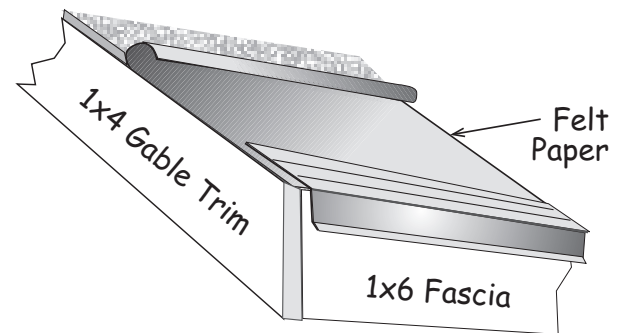
Top of 1x6 Flush with Top of OSB



Center of 3rd Truss

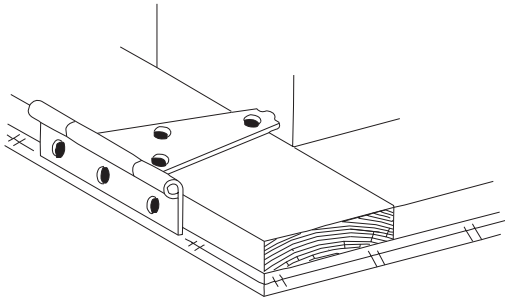
Step 12 Install Roofing — Not Supplied in Kit

Install shingles or metal edge according to manufacturer's instructions. Optionally install felt paper before applying.

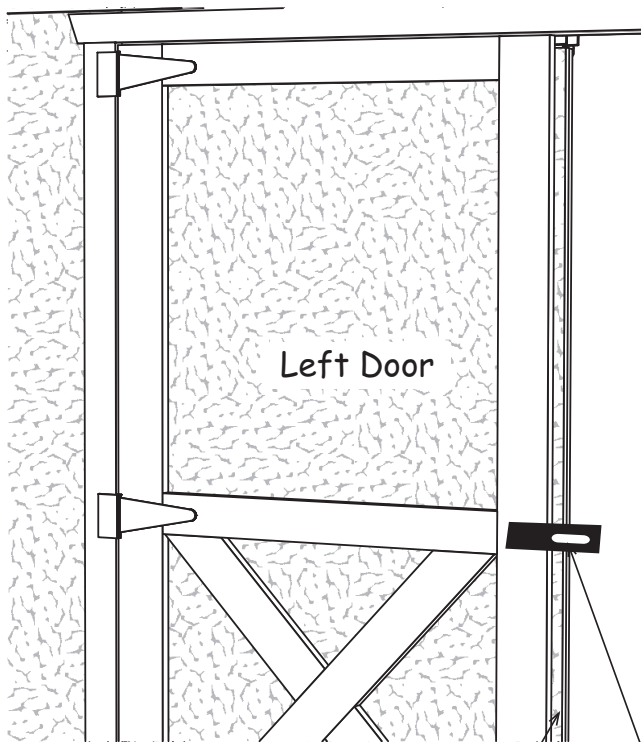


Building Tip: Install ridge vent in lieu of shingles caps. Ridge vent provides ideal ventilation, preventing heat and moisture from damaging your building or its contents.

Step 13 Install Doors



1. Lay the left door with the trim facing up. The siding on the left door extends past the door trim. See detail below.
2. Install 5" hinges to the left side of the door frame. To position the hinge properly, hold the rectangular plate against the frame. Use 1-1/4" black screws.
3. Install hinges to the right side of the other door.



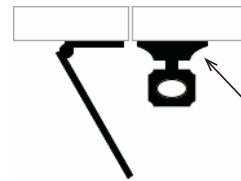
Left Door

2x4 Extends Past Trim

4. Before fastening the hinges to the side trim, temporarily prop the doors in the opening. Leave a space at the top and bottom of the doors and between the doors and the side trim to allow room for the doors to expand due to humidity.

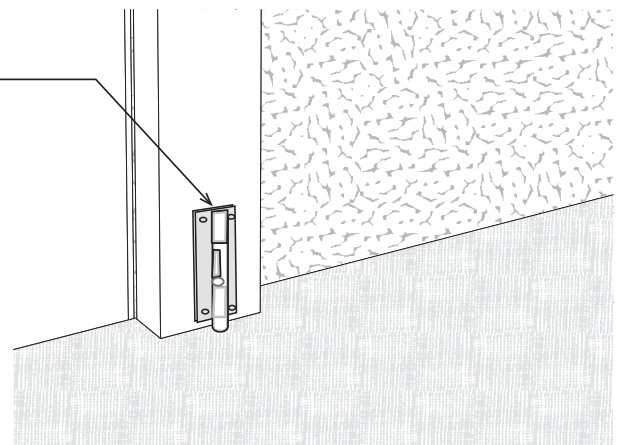
If your door opening is out of square, the space around the doors will not be even. You can remove and re-position the side trim to make allowances for this. The side trim does not have to be flush with the frame of the door opening. You can move the trim in or out to make the door spacing equal.

5. Determine position of hinges and install to side trim with 2" screws.
6. Install door hasp on double doors. When properly installed the hasp will fold in half to receive locking latch and the screw heads will be covered.



Fold Hasp to Cover Screws

Barrel Bolt on the back of left door



7. Install a barrel bolt on the lower back of the door to secure this door in place when closed. You will need to drill a hole for the round shaft to drop into.
8. Install another barrel bolt at the top of the door.

Packing List

<i>2x4 Framing & Trim</i>				<i>Hardware</i>					
19	2 x 4	72"	2	1 x 6	75"	1	Door Latch	2	lb. 10d Sinkers
5	2 x 4	69-1/2"	2	1 x 4	79-1/2"	6	4" Hinges	3	lb. 6d Galv.
4	2 x 4	68-1/2"	2	1 x 4	72"	2	6" Barrel Bolt	1	lb. Hanger Nails
8	2 x 4	52-7/8"	2	1 x 4	47-1/4"	10	H1 - Truss Hangers	2	lb. 6d Common
4	2 x 4	48"	2	1 x 4	58"	25	1-1/4" Hinge Screws	16	3/4" Pan Head Screws
5	2 x 4	47"	2	1 x 3	60"	25	2" Hinge Screws	2	Z Flashing - 6'
2	2 x 4	51-1/2"	2	1 x 3	72"	<i>Miscellaneous Material</i>			
2	2 x 4	13-1/2"	1	1 x 3	55-1/4"	10	Wood Gussets for Trusses	8" x 16"	
2	2 x 4	30"	2	1 x 3	77-1/2"	3	LP Primed Soffit Panels	6-1/4" x 48"	
1	2 x 4	77"				8	Truss Jig Blocks	1 x 4 - 12"	
<i>Pre-Built Components</i>				<i>LP Primed Siding</i>					
2	Pre-built Wall Panel 48" x 75" w/ Angle Corner			5	48-3/4" x 76-3/4"		1	18-3/4" x 76-3/4"	
2	Pre-built Gable Frames 64-1/4"			3	48-3/4" x 60"		1	48-3/4" x 4-3/4"	
2	Barn Doors 24" x 72"			1	30" x 76-3/4"		1	pair L&R Rafter Tail	
<i>7/16" OSB Sheathing</i>									
2	48" x 72" (1 Attached to Pallet)			2	Gable Siding 47" x 19"				
2	46" x 72"		3	22" x 48"		2	Gable Siding 24-3/4" x 14-5/8"		
				2	Gable Siding - End Fillers 5-1/2" x 4-1/2"				

Material for Roof - Not Included

5 Bundles of Roof Shingles

5 Pieces of 10' Long Roof Drip Edge