

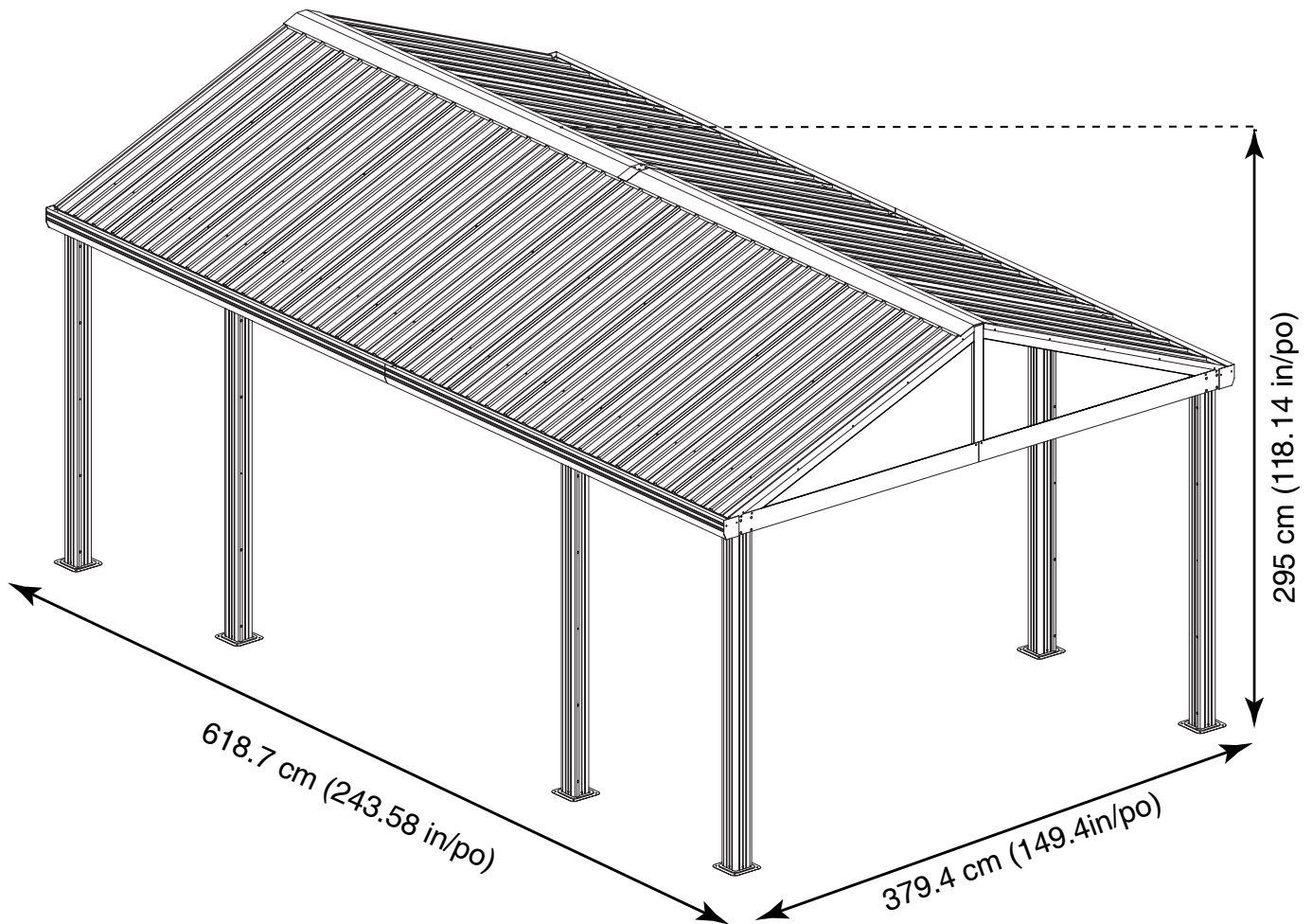
SOJAG

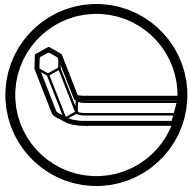
produits saisonniers • seasonal products



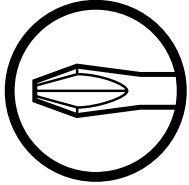
Sojag code: 500-9165838
CUP/UPC code: 772830165838

Assembly Manual / Guide d'assemblage / Manual de ensamblaje / 조립설명서 / Montageanleitung

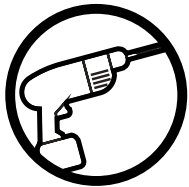




Use the hex keys in the box. / Utilisez les clés hexagonales fournies dans la boîte. / Utilice las llaves hexagonales en la caja. / 상자에 육각 키를 사용 하십시오. / Verwenden Sie die Sechskantschlüssel in der Box.



Please use a Phillips screwdriver. / Utilisez un tournevis de type Phillips / Por favor, use un destornillador Phillips. / 십자 드라이버를 사용 하십시오. / Bitte verwenden Sie einen Kreuzschraubenzieher.



You may need to use a drill for this step. / Vous pouvez avoir besoin d'utiliser une perceuse pour cette étape. / Puede que tenga que utilizar un taladro para este paso. / 이 단계에선 드릴을 사용해야 할 수도 있습니다. / Für diesen Schritt können Sie einen Bohrer verwenden.



Wearing protective gloves is recommended. / Le port de gants de protection est recommandé / El uso de guantes de protección se recomienda. / 보호 장갑을 착용 하는 것이 좋습니다. / Das Tragen von Schutzhandschuhen wird empfohlen.



Two or more people are required at this stage. / Deux personnes ou plus sont nécessaires à cette étape. / Dos o más personas se requieren en esta etapa. / 이 단계에서는 두 명 이상이 필요합니다. / Für diesen Bauschritt sind 2 oder mehr Personen erforderlich.

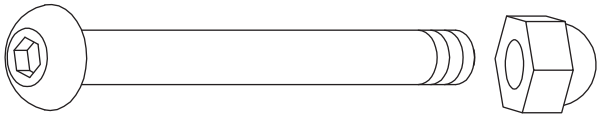


Do not tighten screws all the way for now. / Ne pas visser fermement pour l'instant. / No atornille con firmeza por ahora. / 아직 나사를 단단히 조이지 마십시오. / Bitte die Schrauben zum jetzigen Zeitpunkt noch nicht fest anziehen.

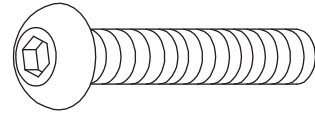


Sold separately. / Vendus séparément. / vendido en las opciones. / 옵션 판매 / Optional erhältlich

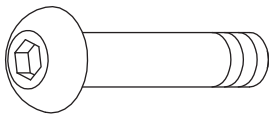
S X 76(+8)



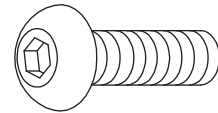
T1 X 8(+2)



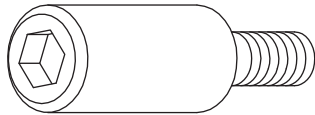
U X 16(+2)



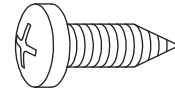
V X 288(+10)



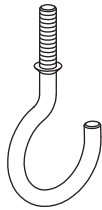
X X 64(+6)



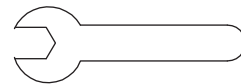
Y X 48(+4)



Wa X 4



W2 X 1



Zs X 1



Zb X 1



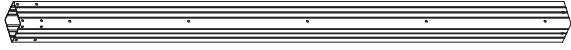
A X4



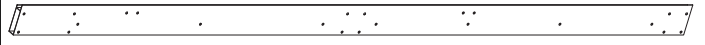
A1 X2



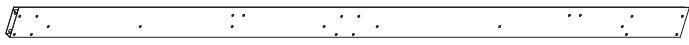
A2 X2



B X2



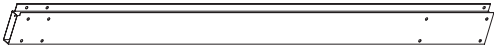
B1 X2



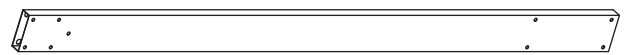
C X2



C1 X2



B2a X2



B2b X2



E X2



E1 X2



E2 X2



E3 X2



F X8



G X2

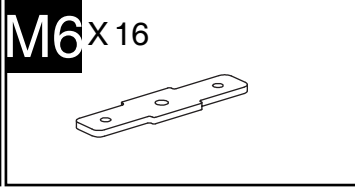
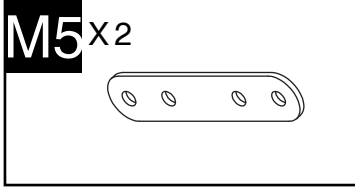
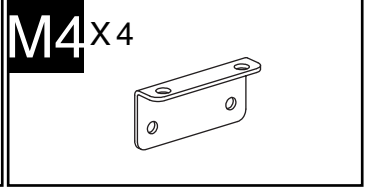
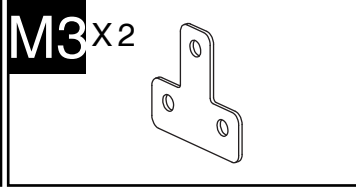
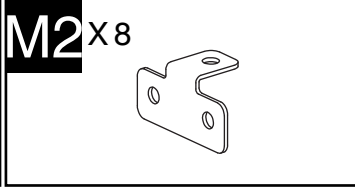
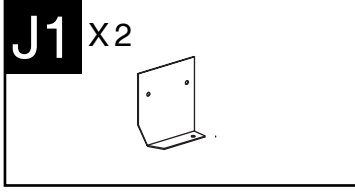
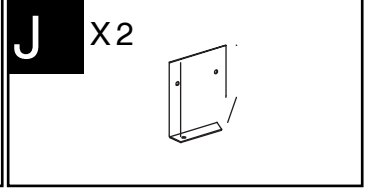
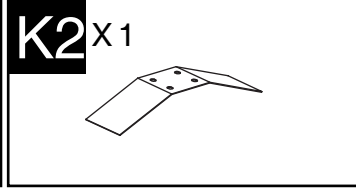
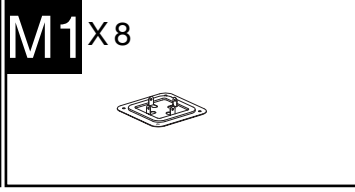
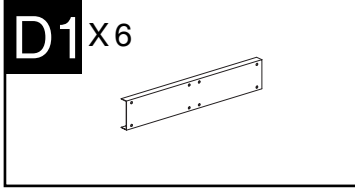
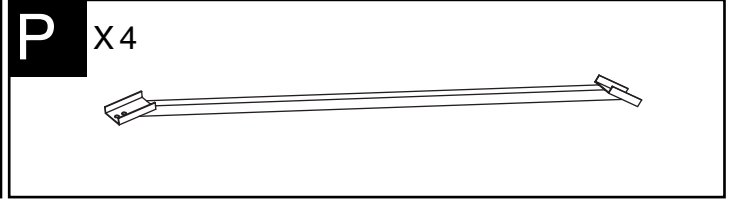
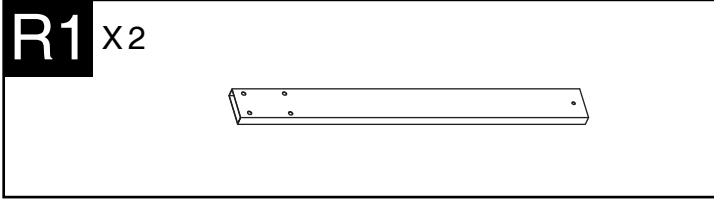
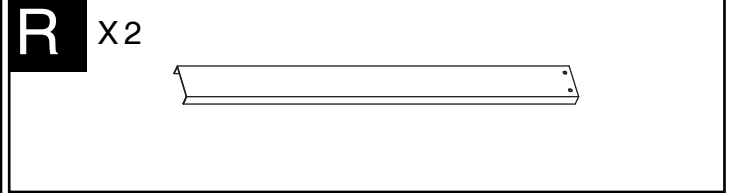
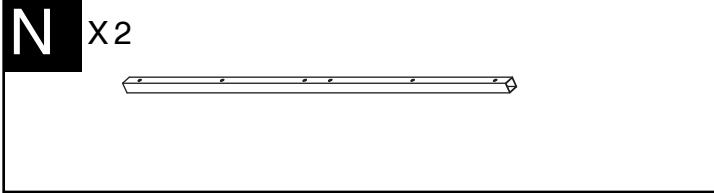
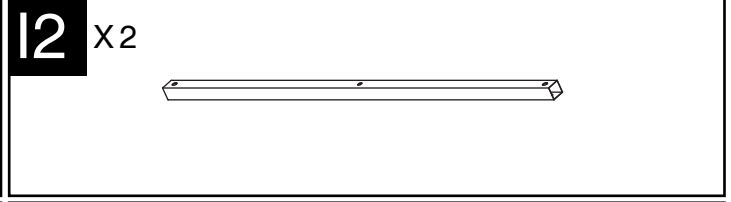
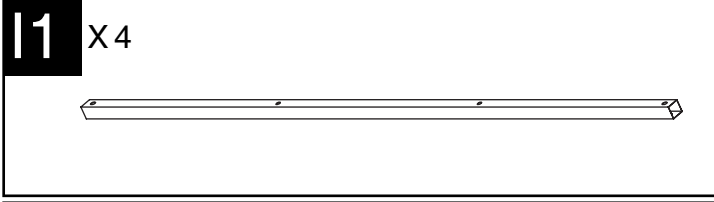
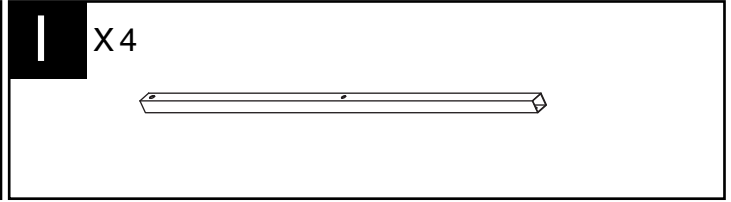
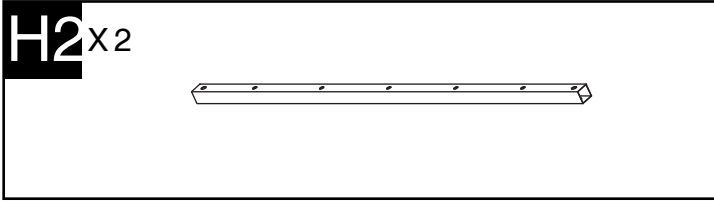
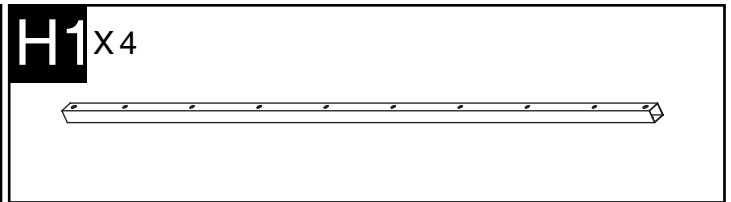
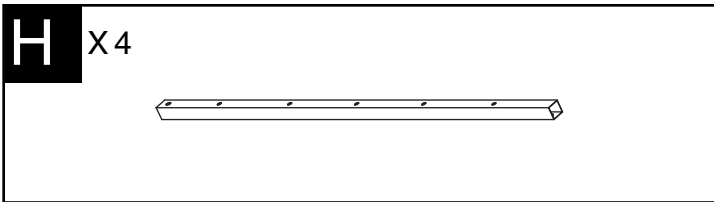


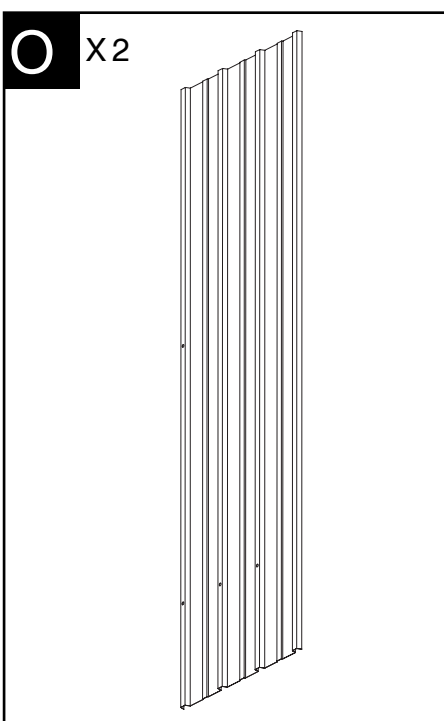
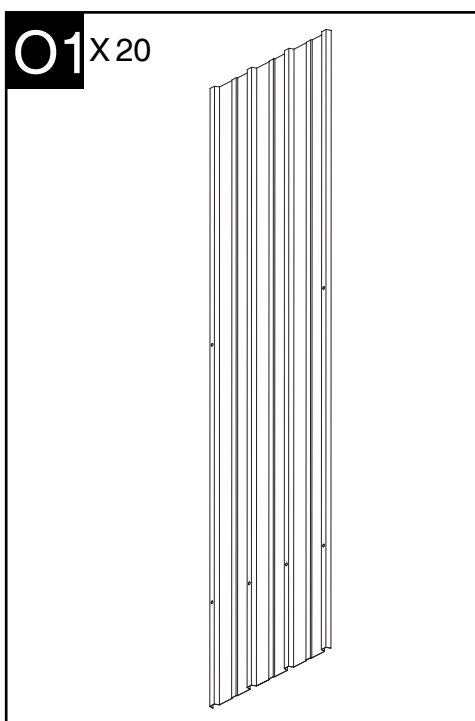
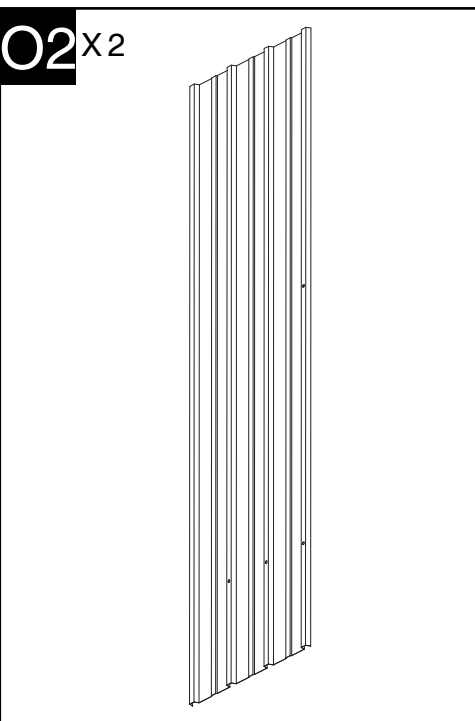
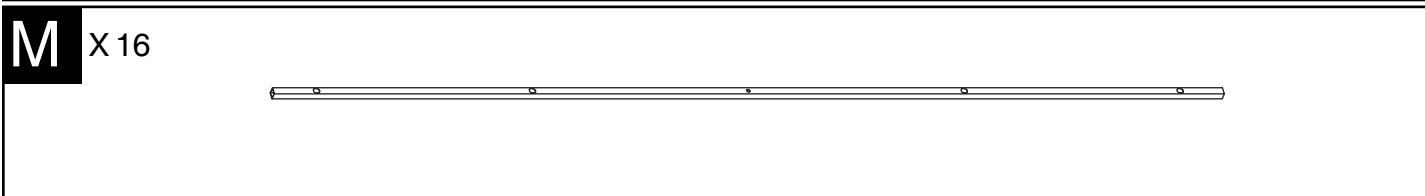
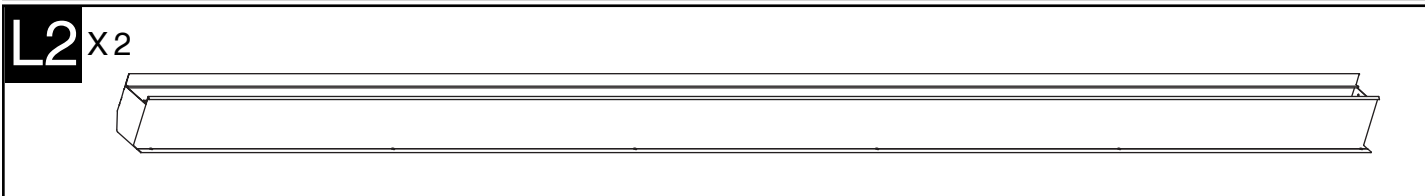
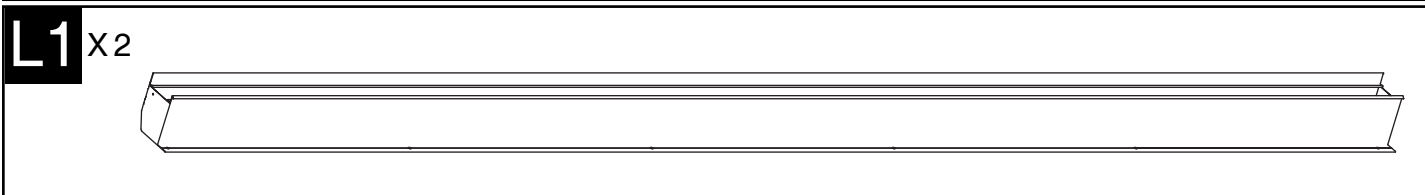
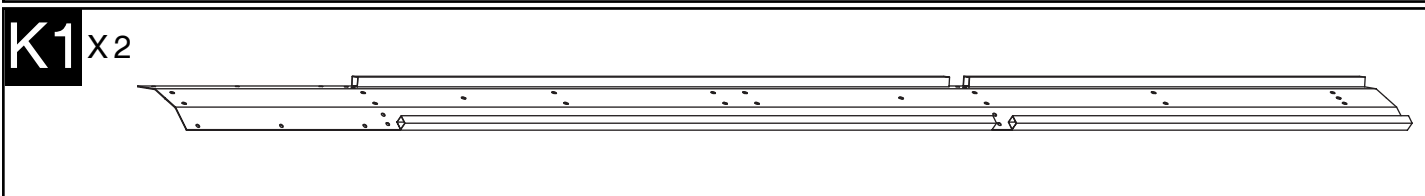
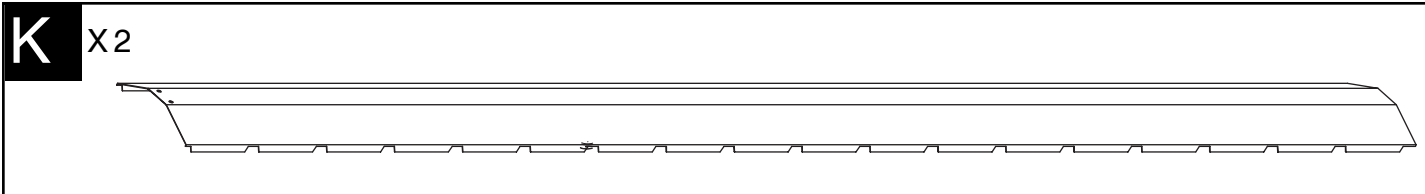
G1 X4

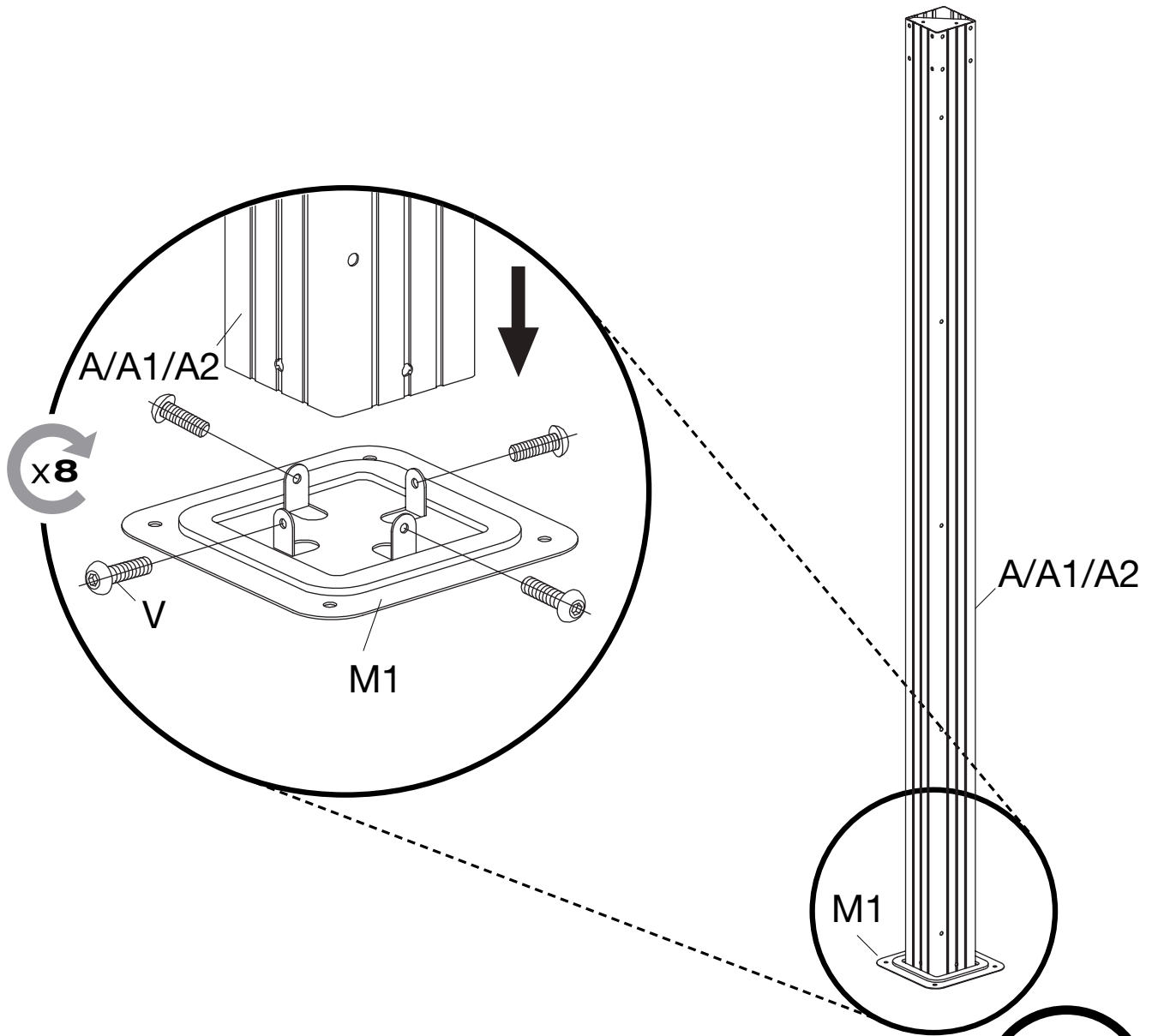





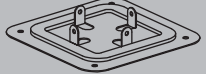

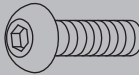
F1 X4

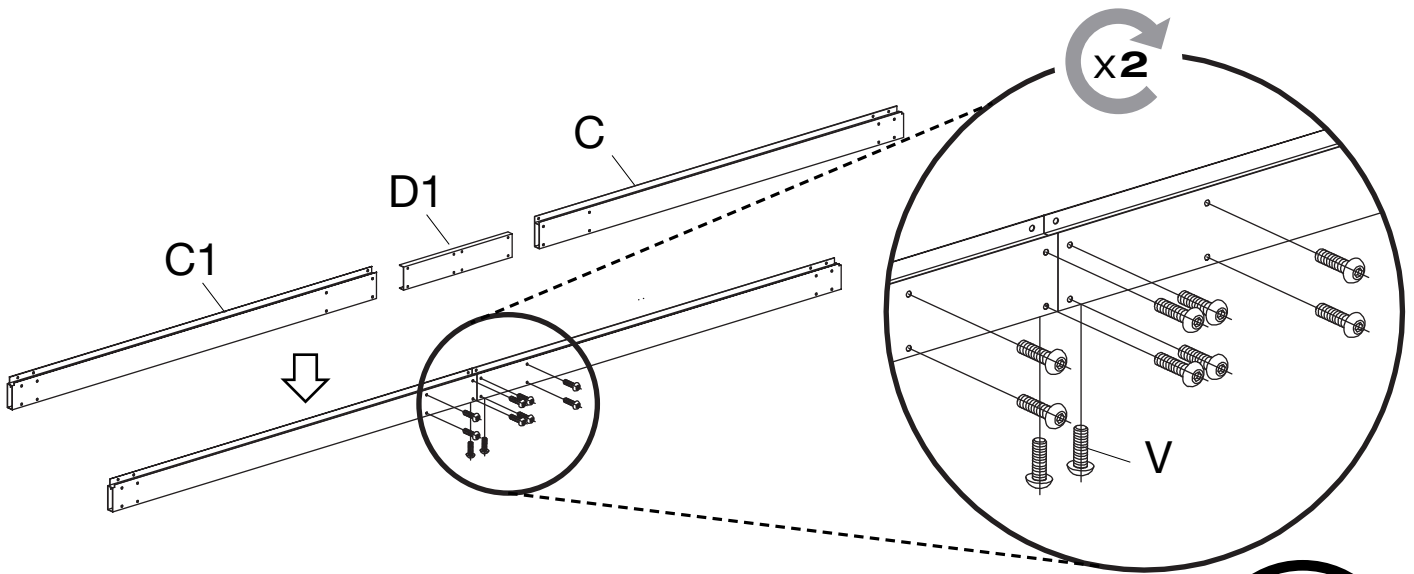
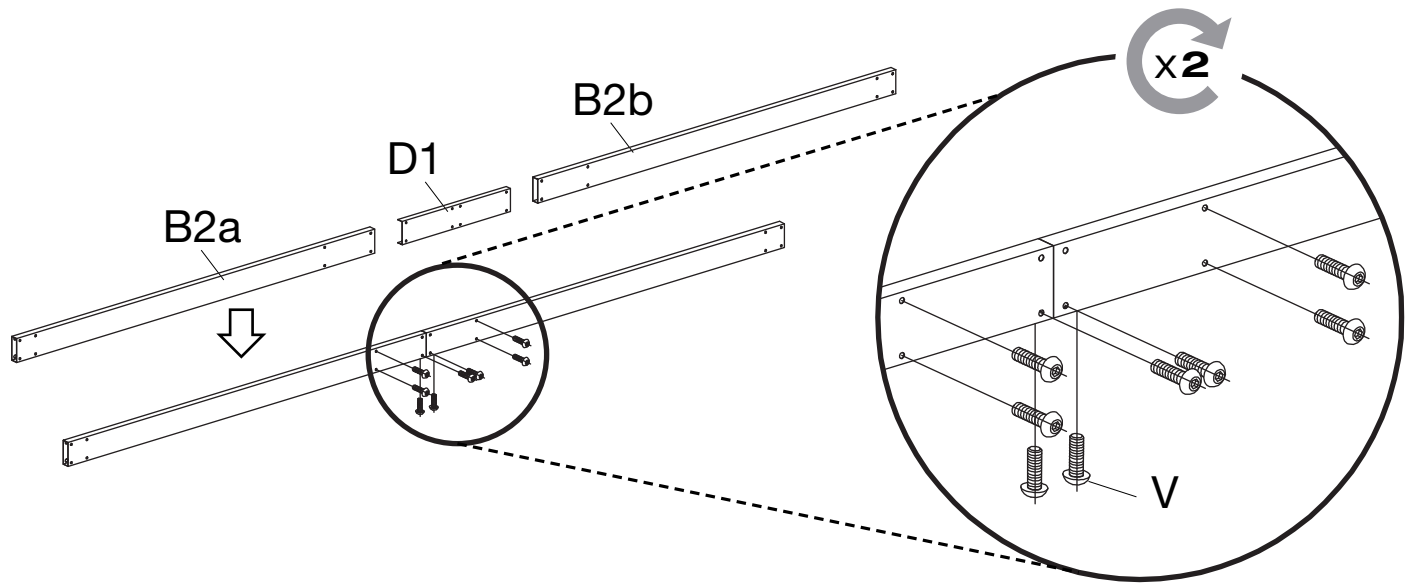








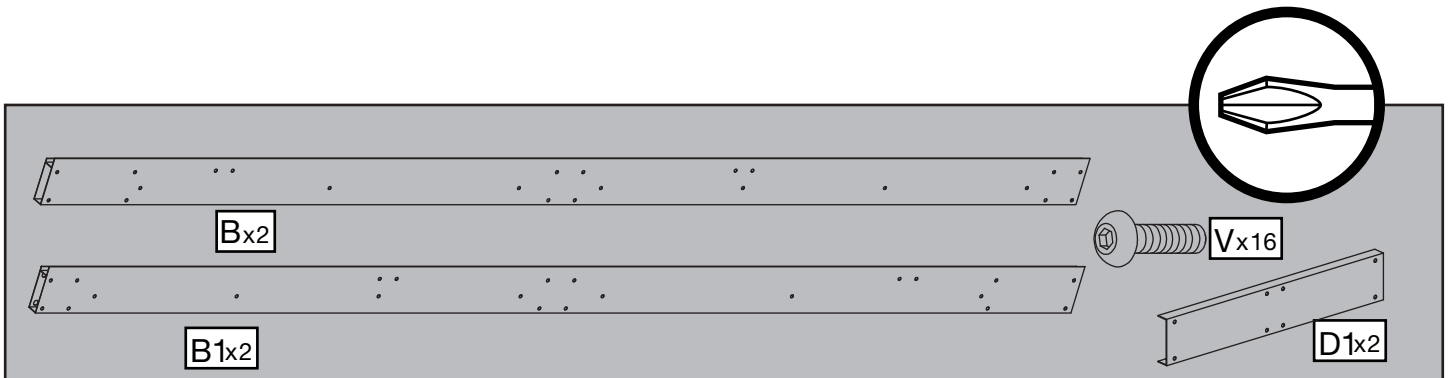
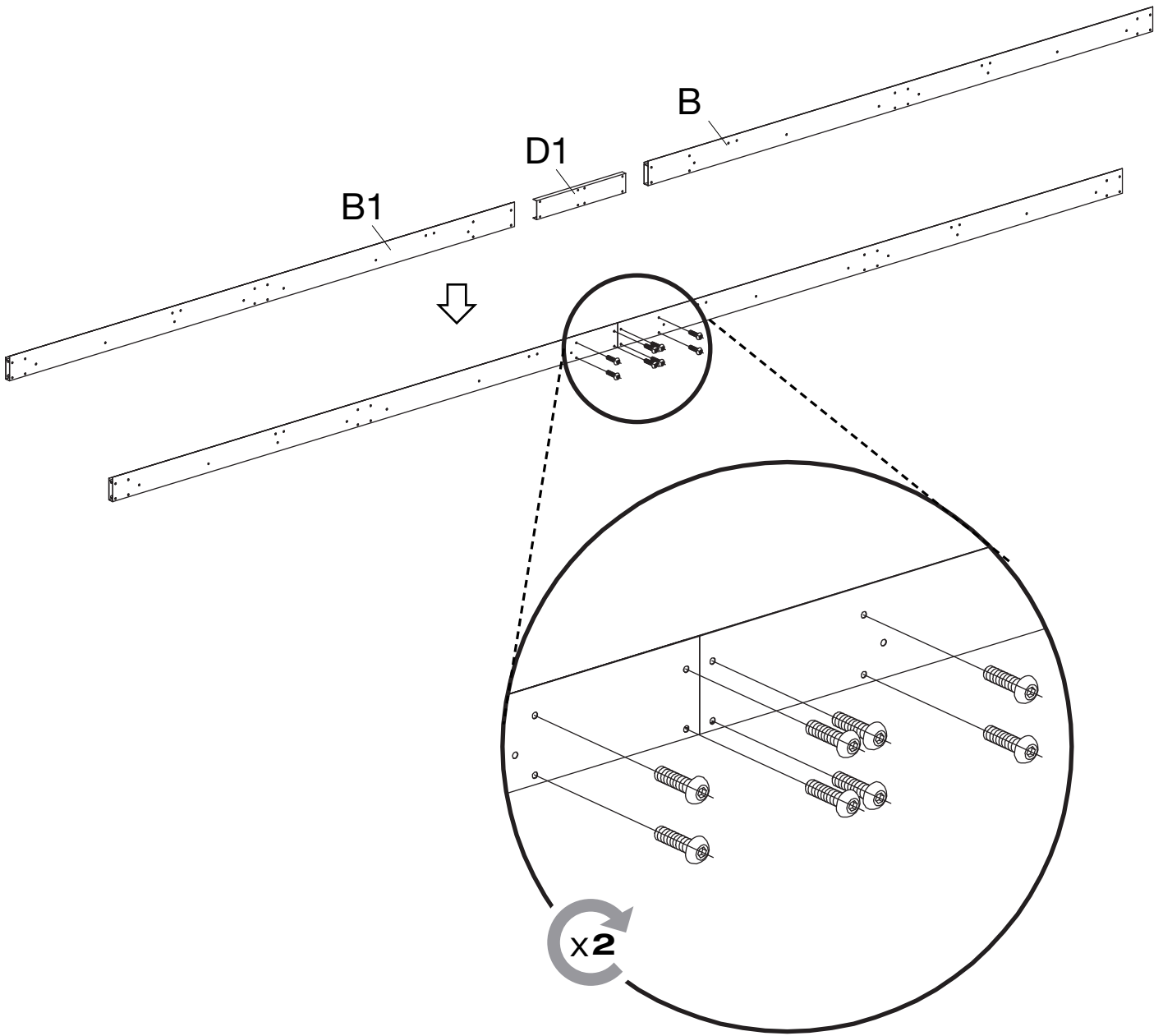
	Ax4	
	A1x2	
	A2x2	
		M1x8
		Vx32

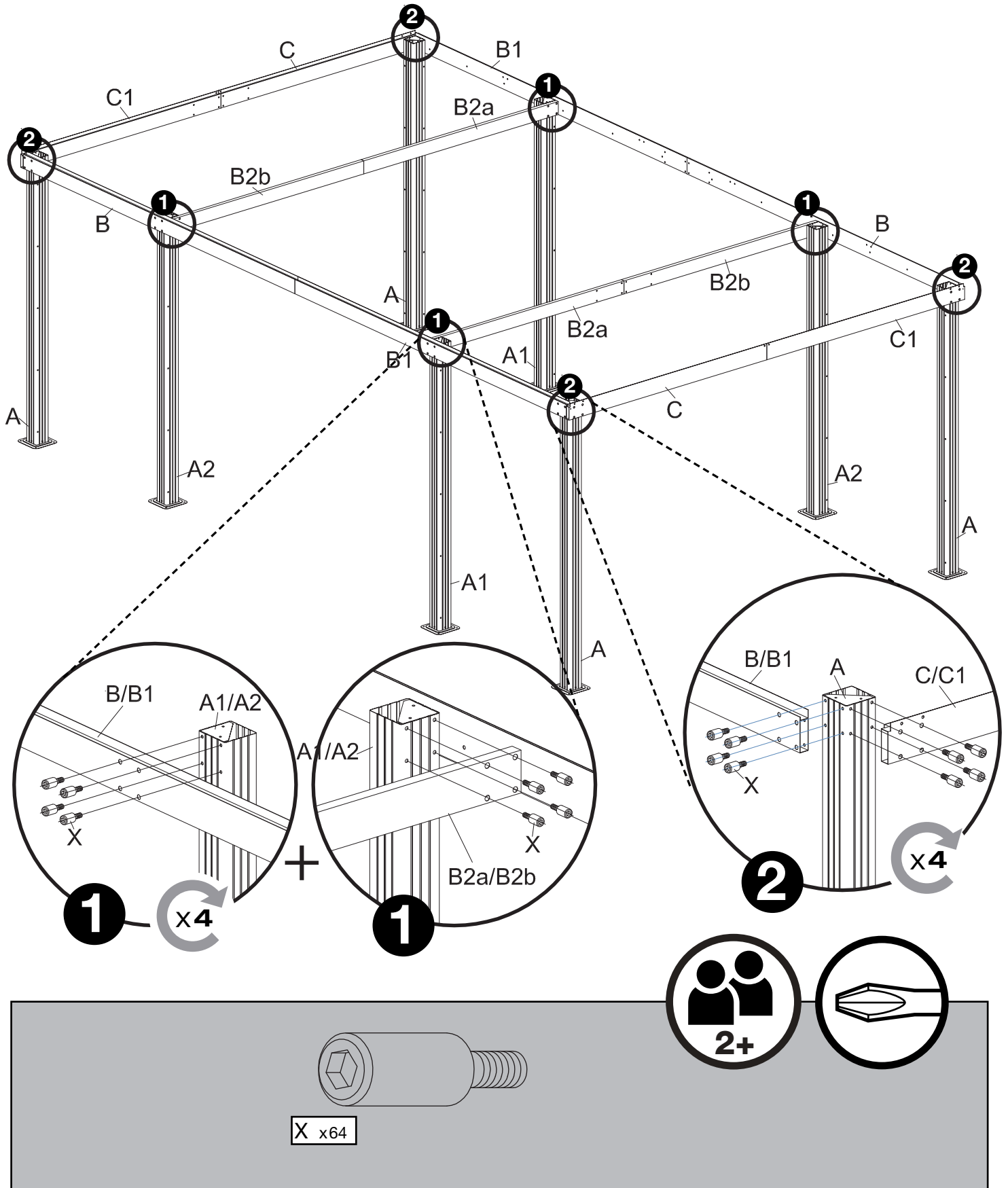


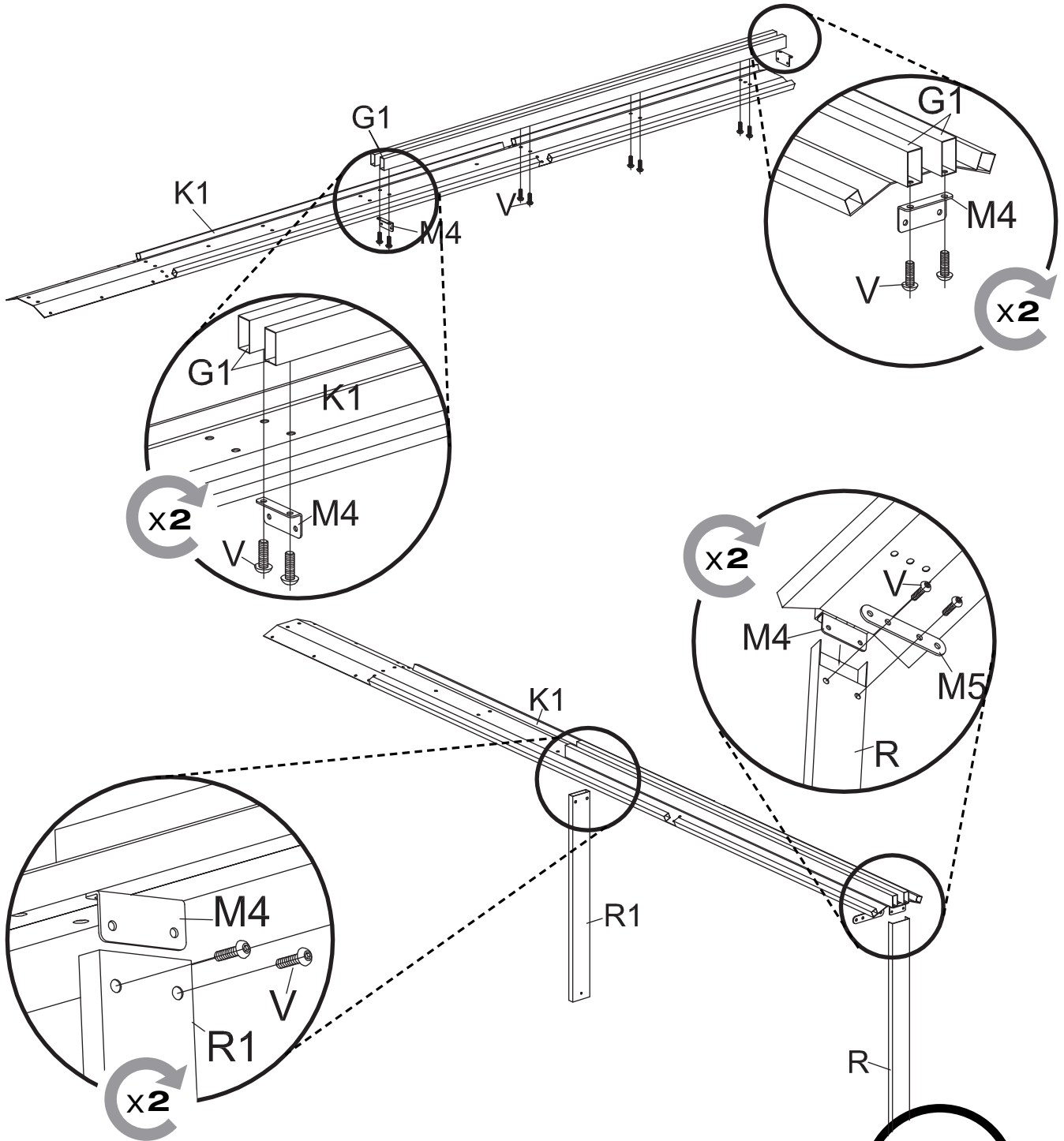
Parts list diagram showing the required components:

- Cx2
- C1x2
- B2ax2
- B2bx2
- D1x4
- Vx36

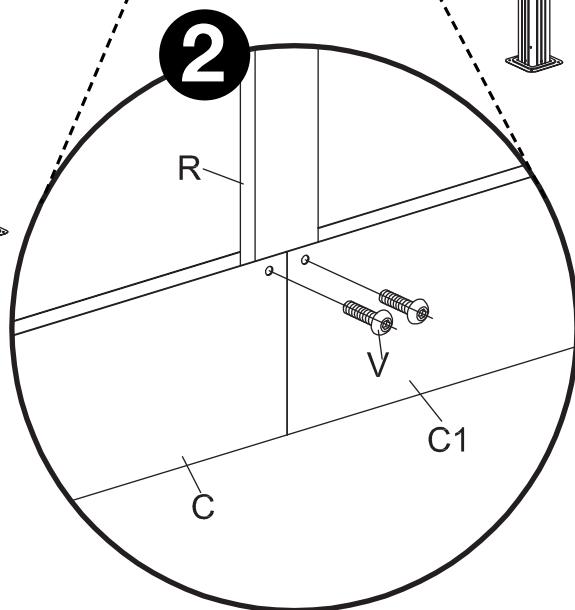
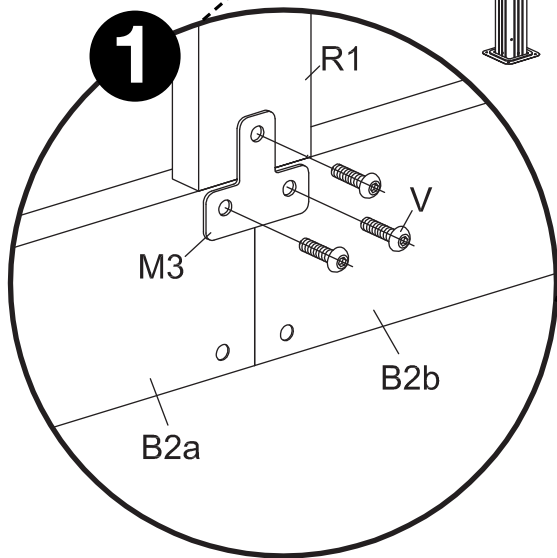
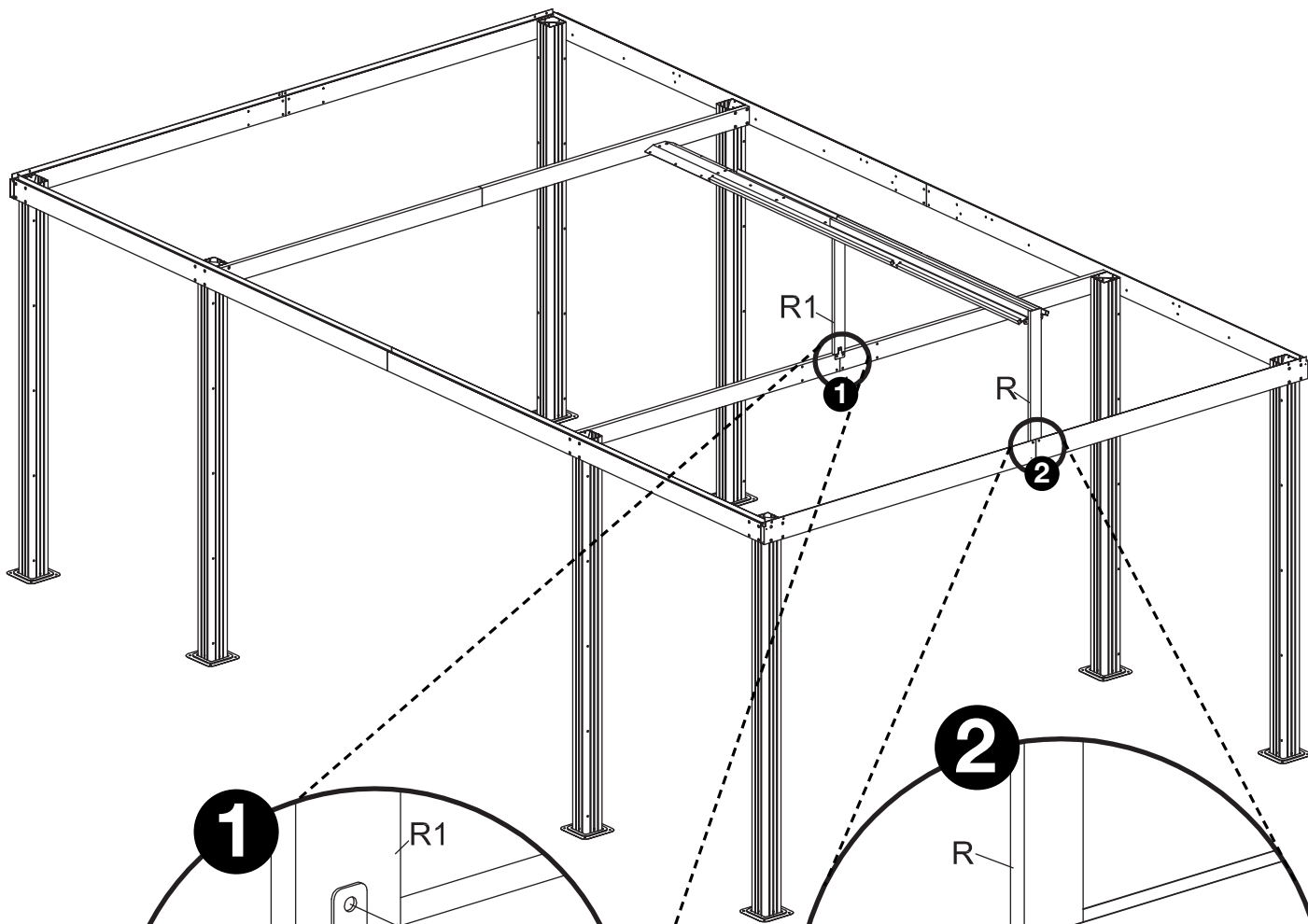
A circular inset shows a pair of pliers.



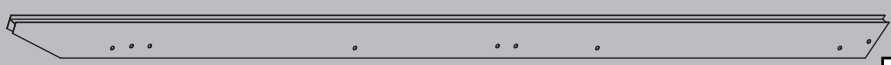
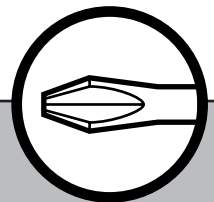
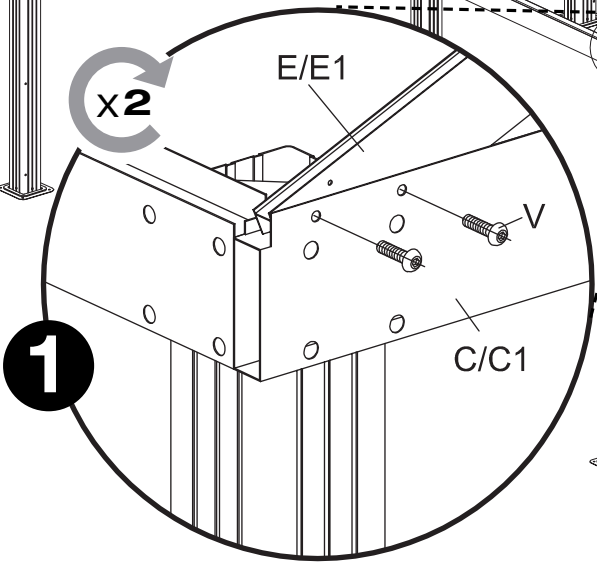
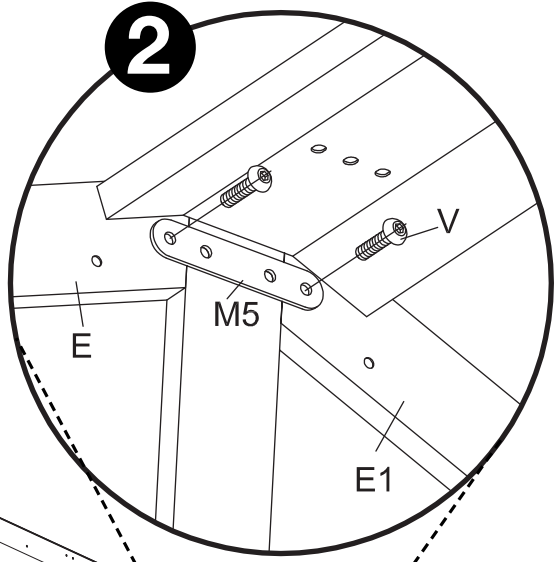
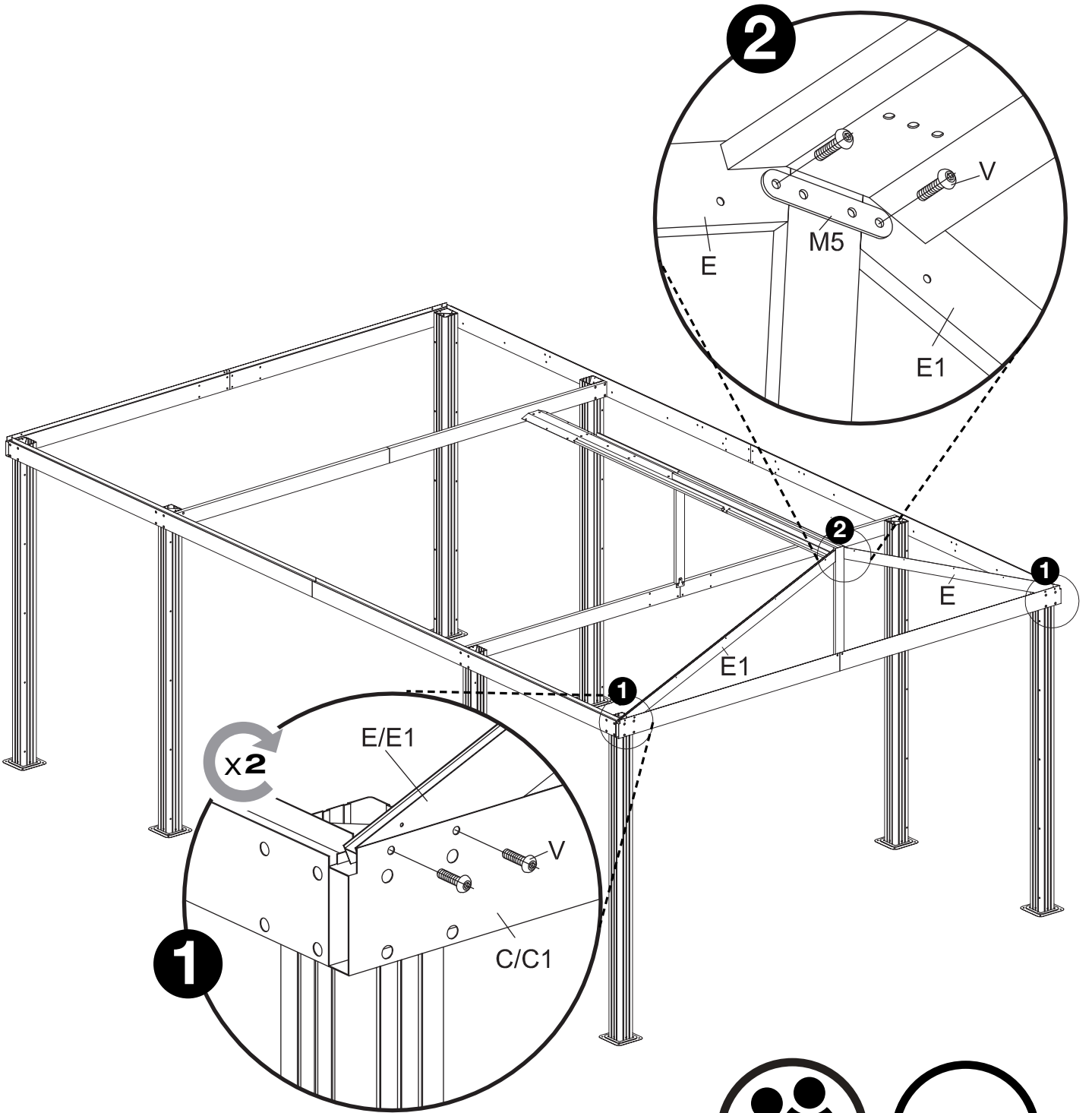




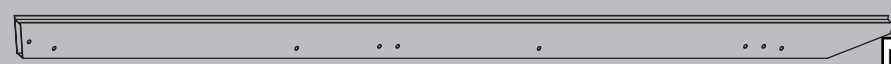
- | | | | |
|--|-------|--|-------|
| | K1 x2 | | R x2 |
| | G1 x4 | | R1 x2 |
| | M4 x4 | | M5 x2 |
| | V x28 | | |



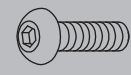
A grey rectangular box containing the parts list and assembly icons. On the left is a metal bracket labeled M3x1. In the center is a screw labeled Vx5. On the right are two circular icons: the first shows two stylized human figures with the number 2+ below them, indicating that at least two people are required for assembly; the second shows a flat-head screwdriver, indicating the required tool.



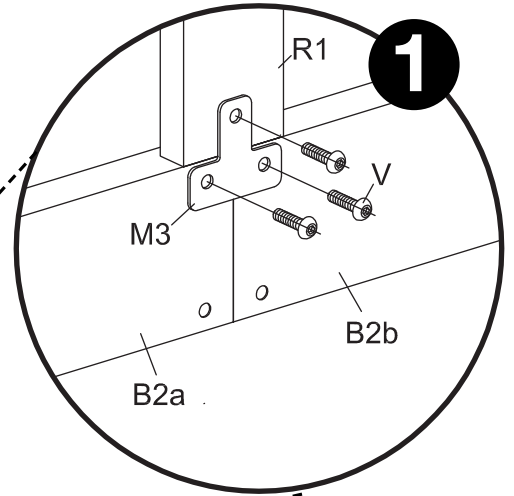
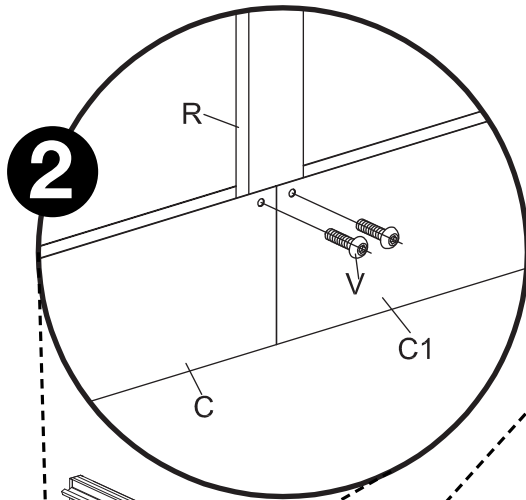
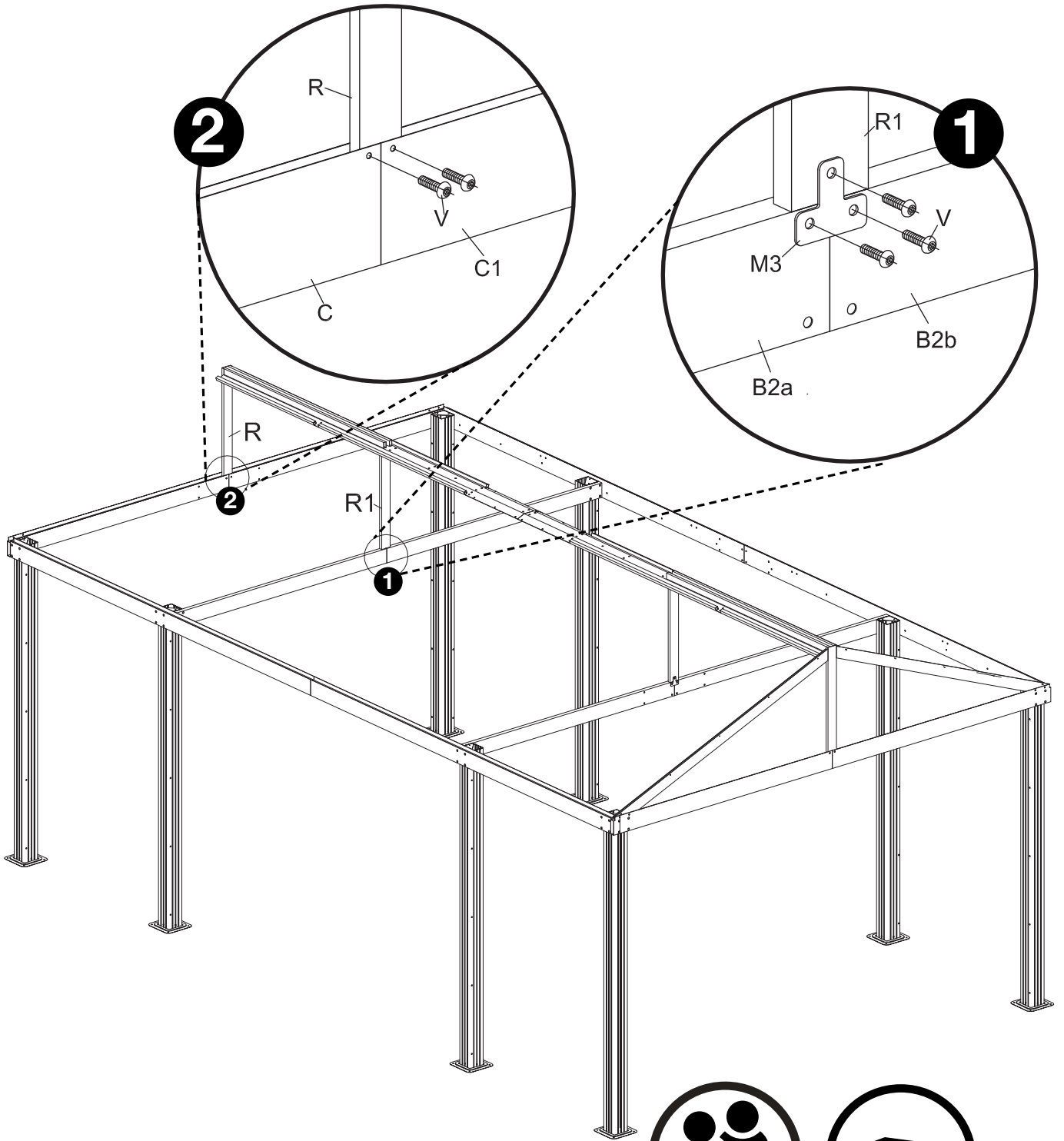
E1x1



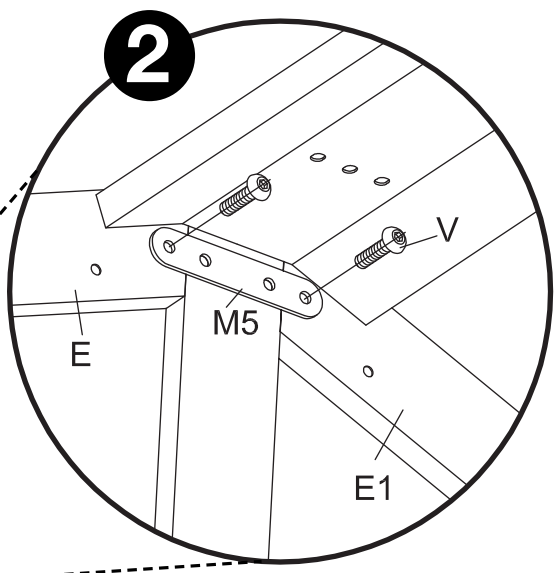
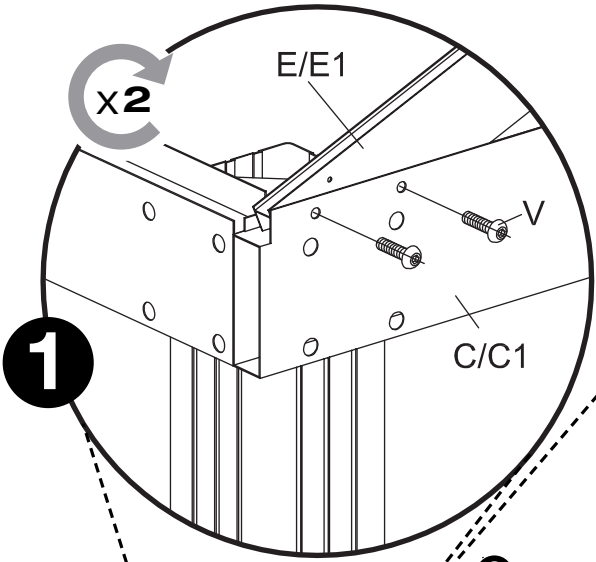
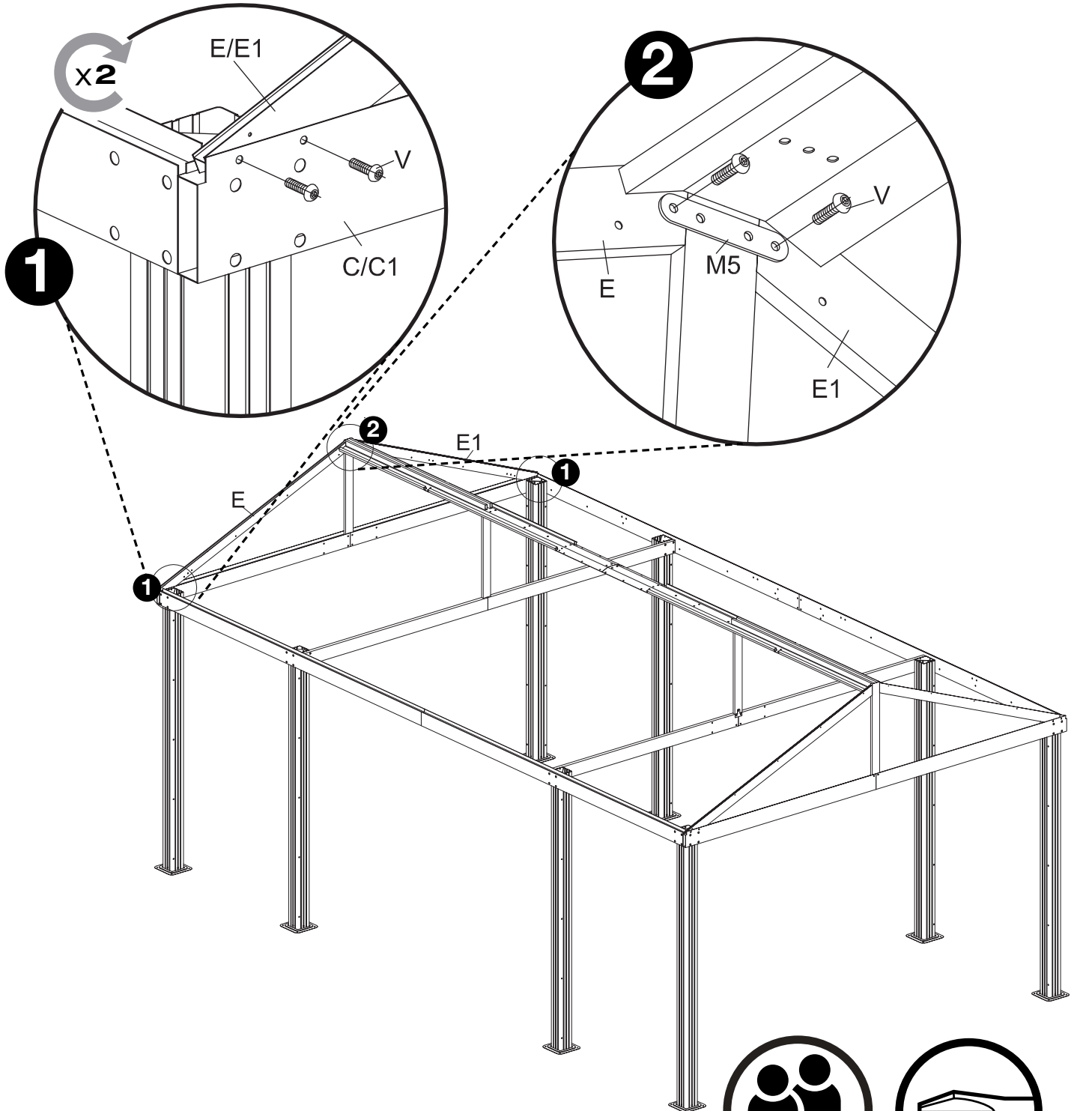
E1x1



Vx6



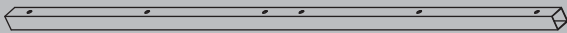
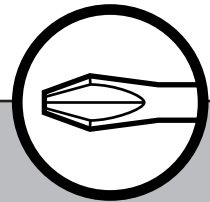
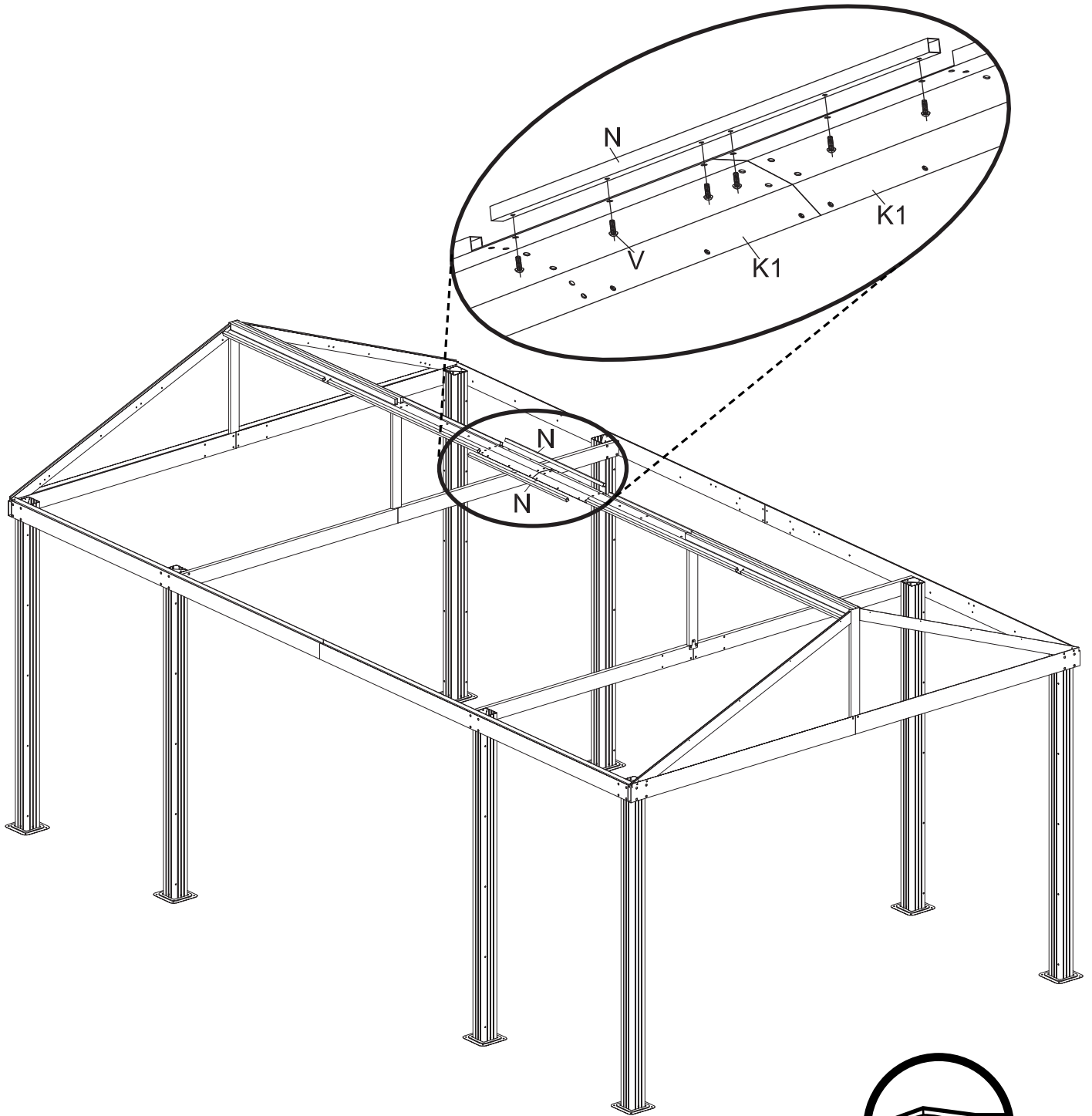
This section contains a parts list and two icons. On the left is an L-shaped bracket labeled M3x1. Next to it is a screw labeled Vx5. To the right are two circular icons: one showing two people and the number 2+, and another showing a pair of pliers.



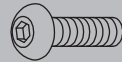
This section contains a parts list and icons for the assembly step. It includes two long, thin metal brackets. The parts list includes:

- Ex1
- E1x1
- Vx6

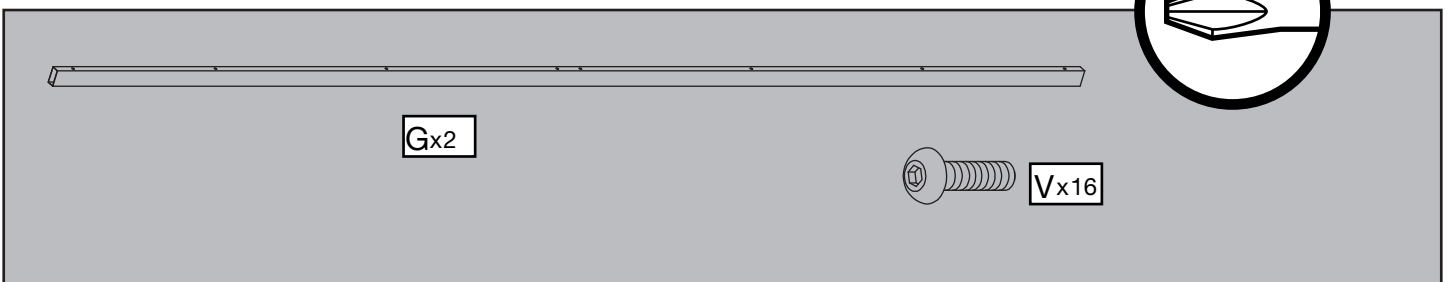
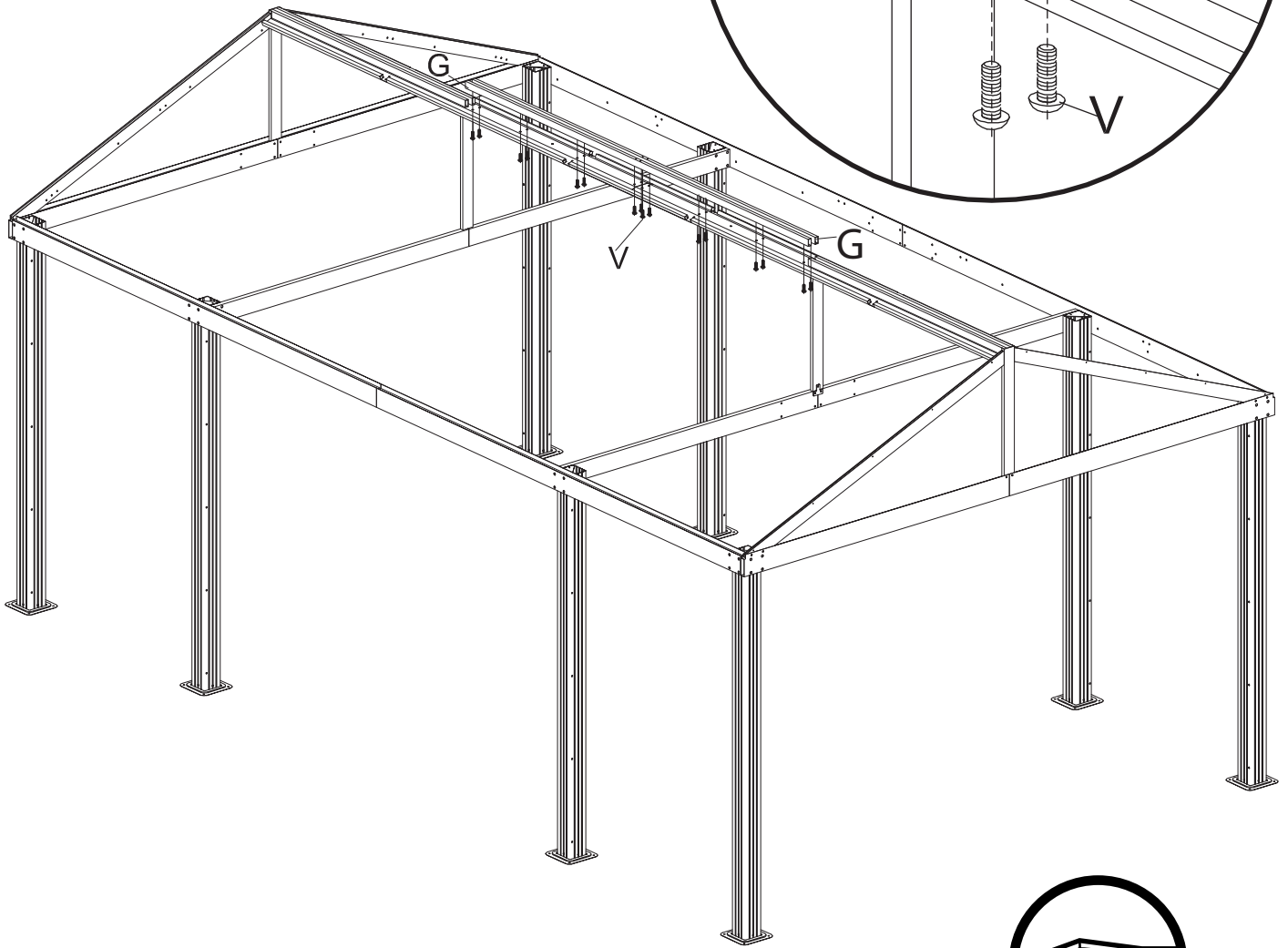
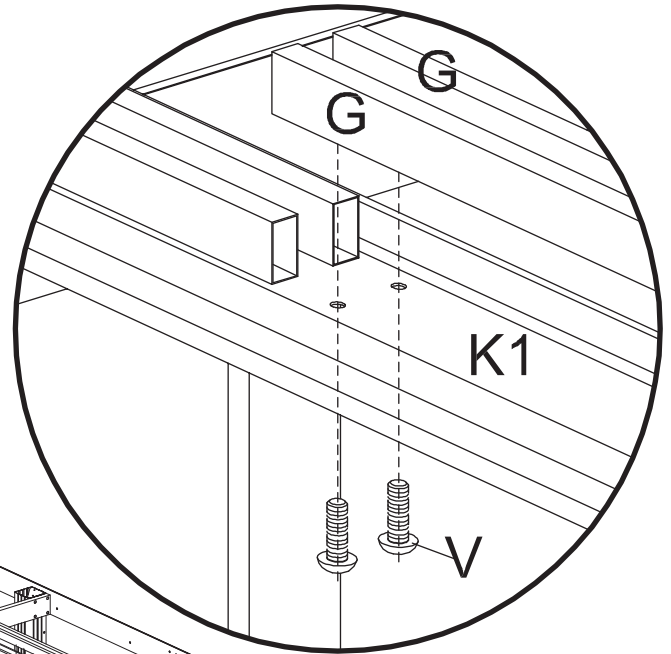
There are also two circular icons: one showing two people and the number '2+', indicating that two people are required for this step, and another showing a pair of pliers.

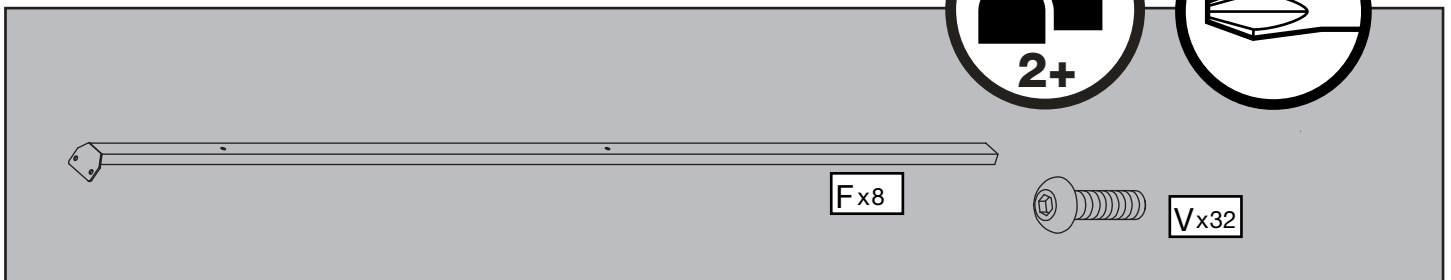
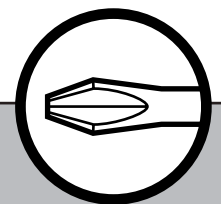
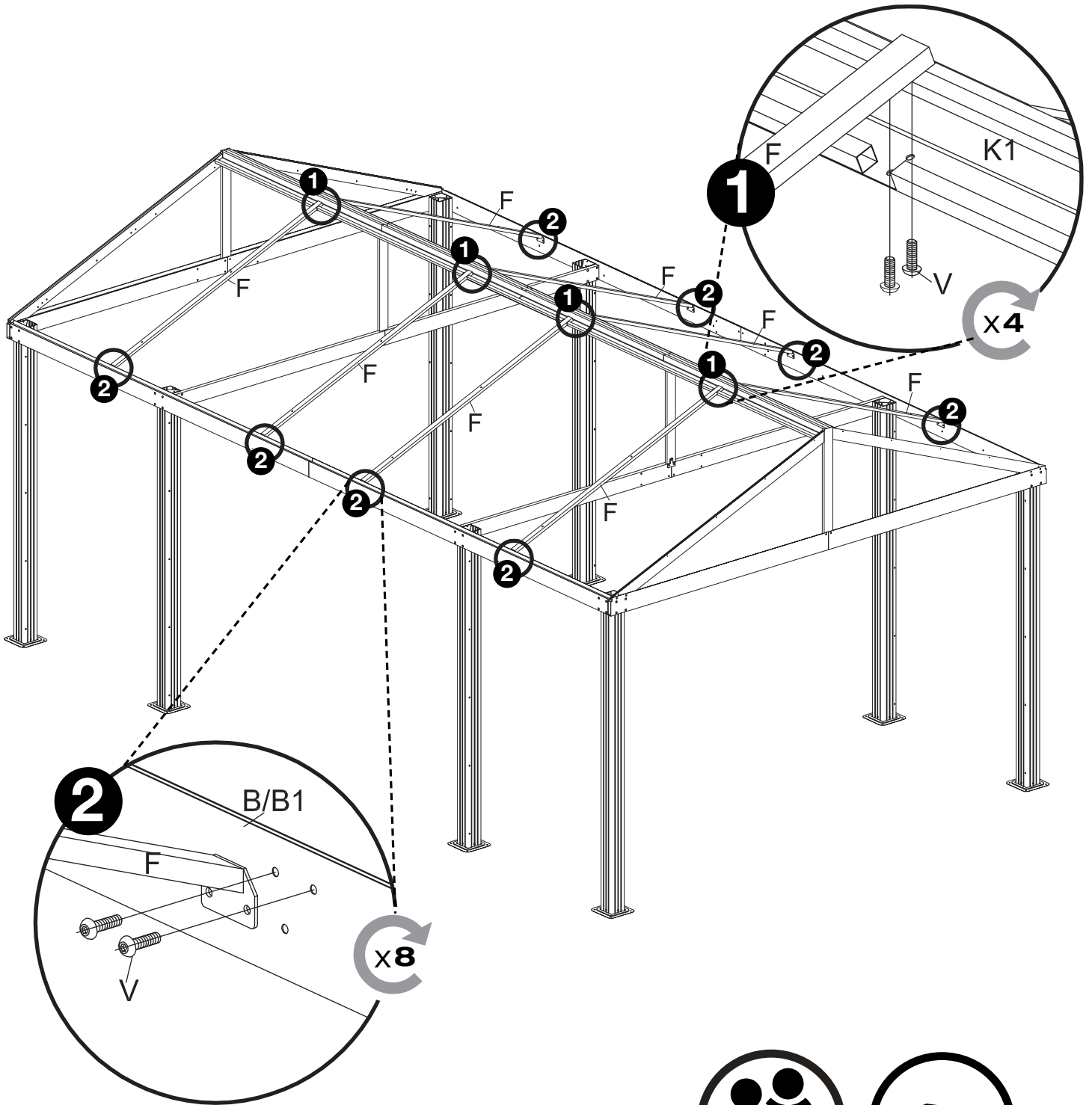


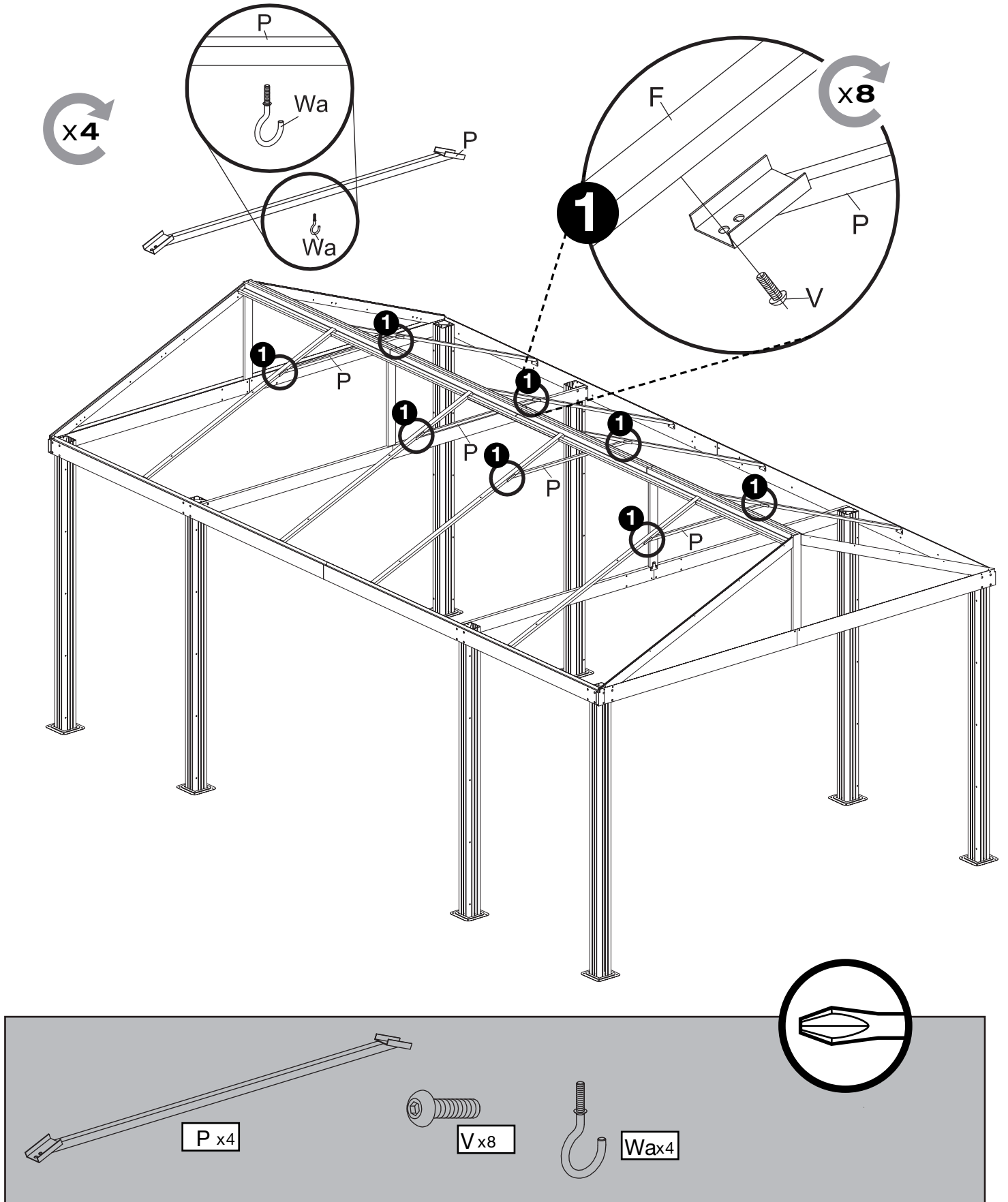
Nx2

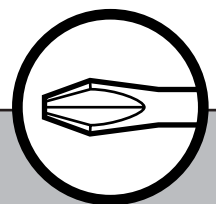
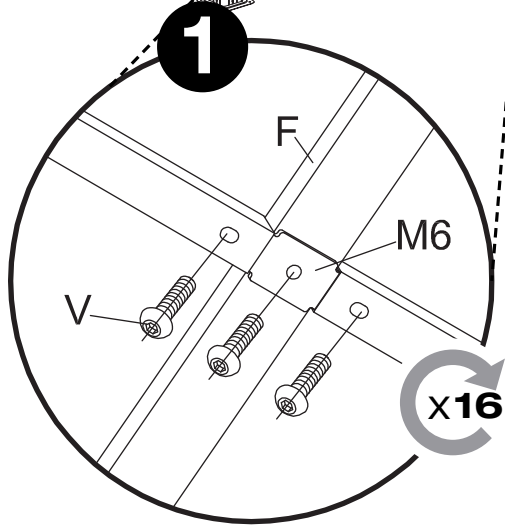
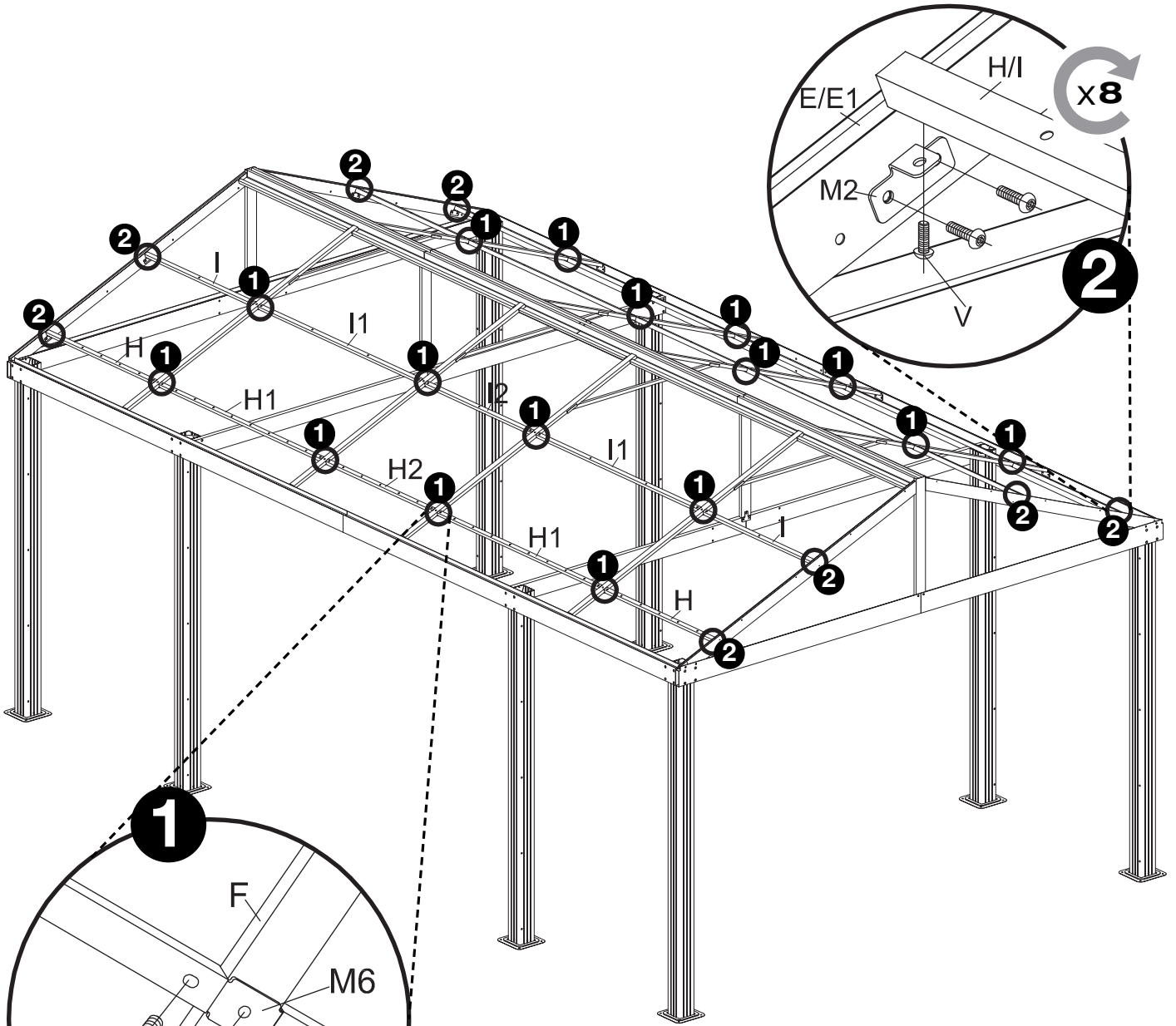




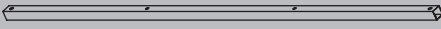

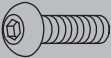

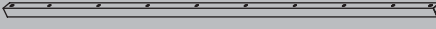


Vx12

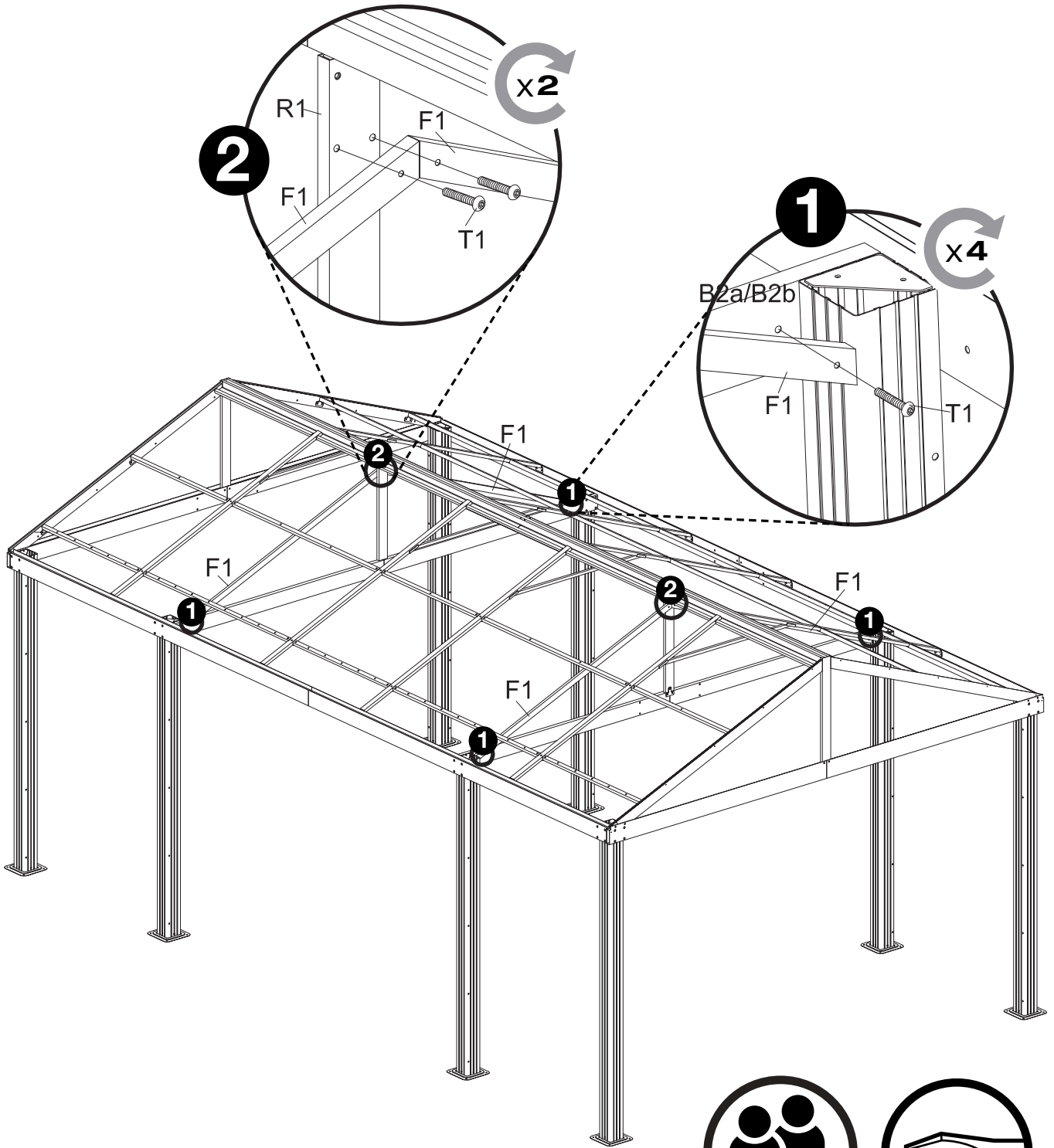




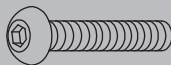
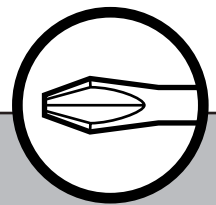




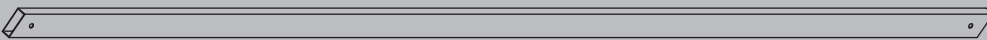
- | | | | | | |
|--|---|--|--|--|---|
|  H x4 |  I x4 |  I1 x4 |  I2 x2 |  Vx72 |  M2 x8 |
|  H1x4 | | | | |  M6x16 |
|  H2x2 | | | | | |



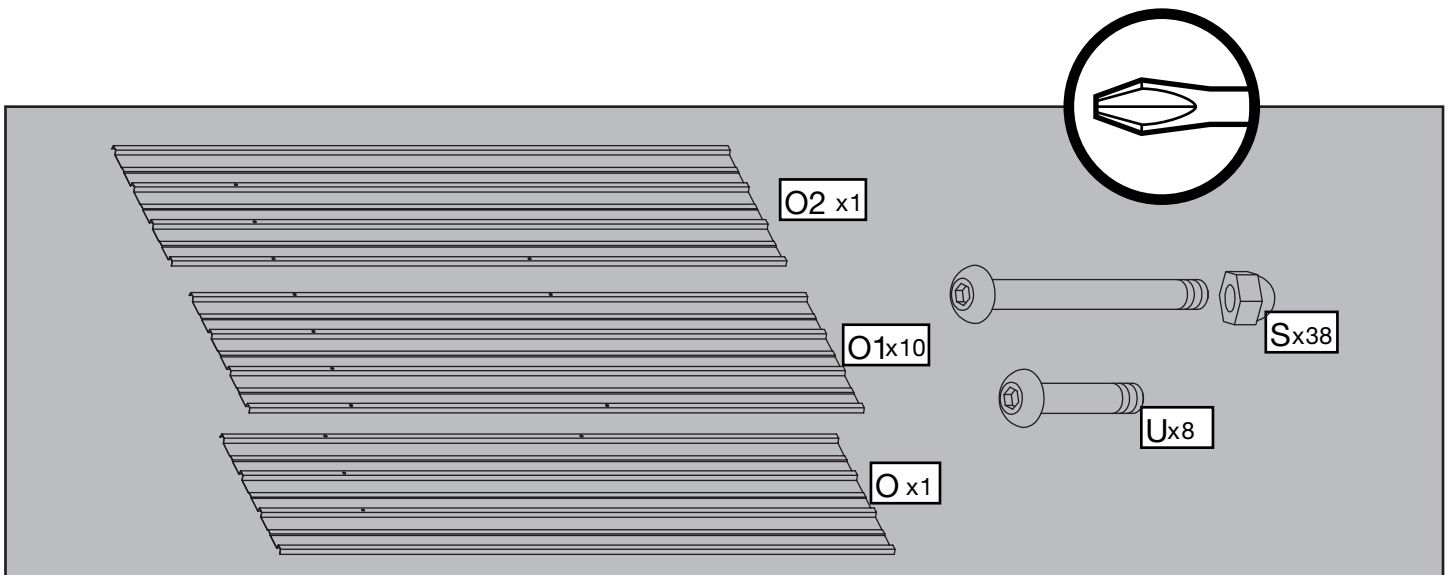
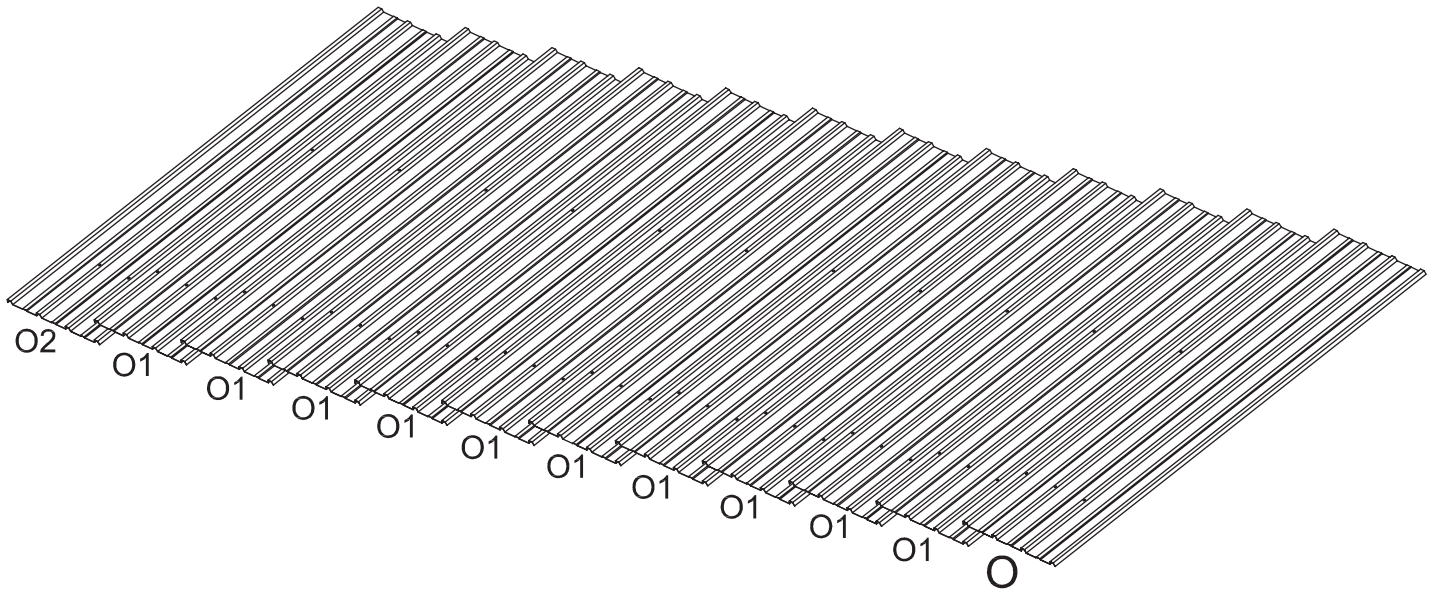
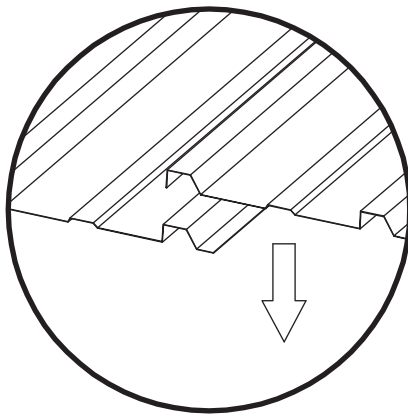
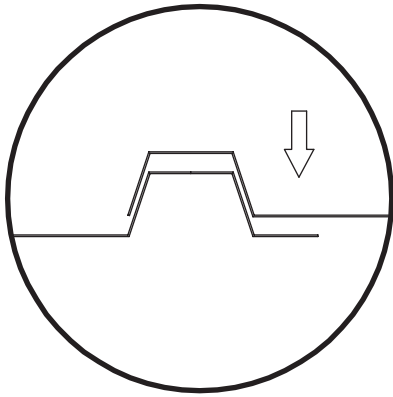
2+



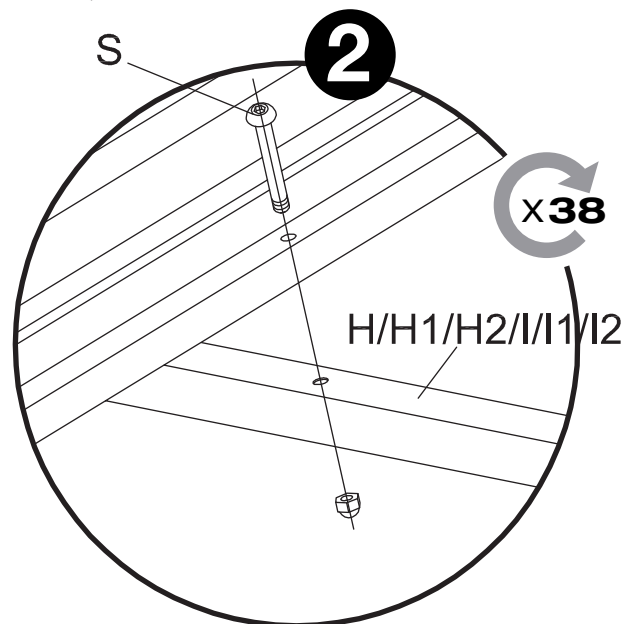
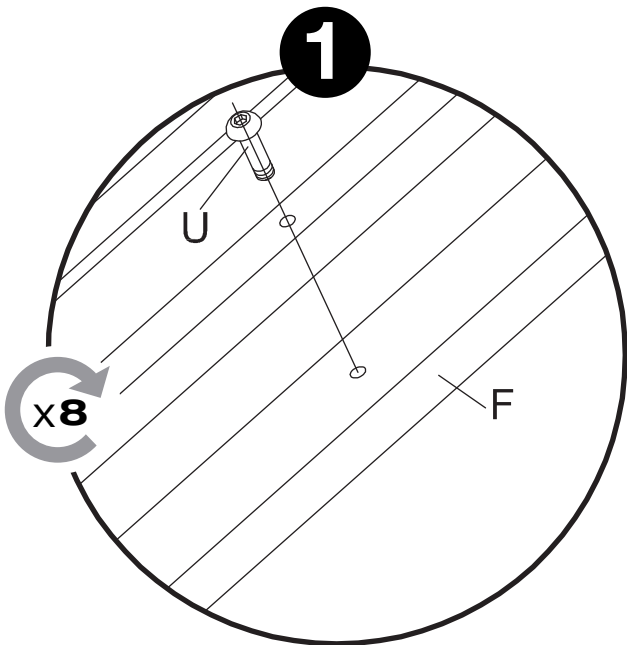
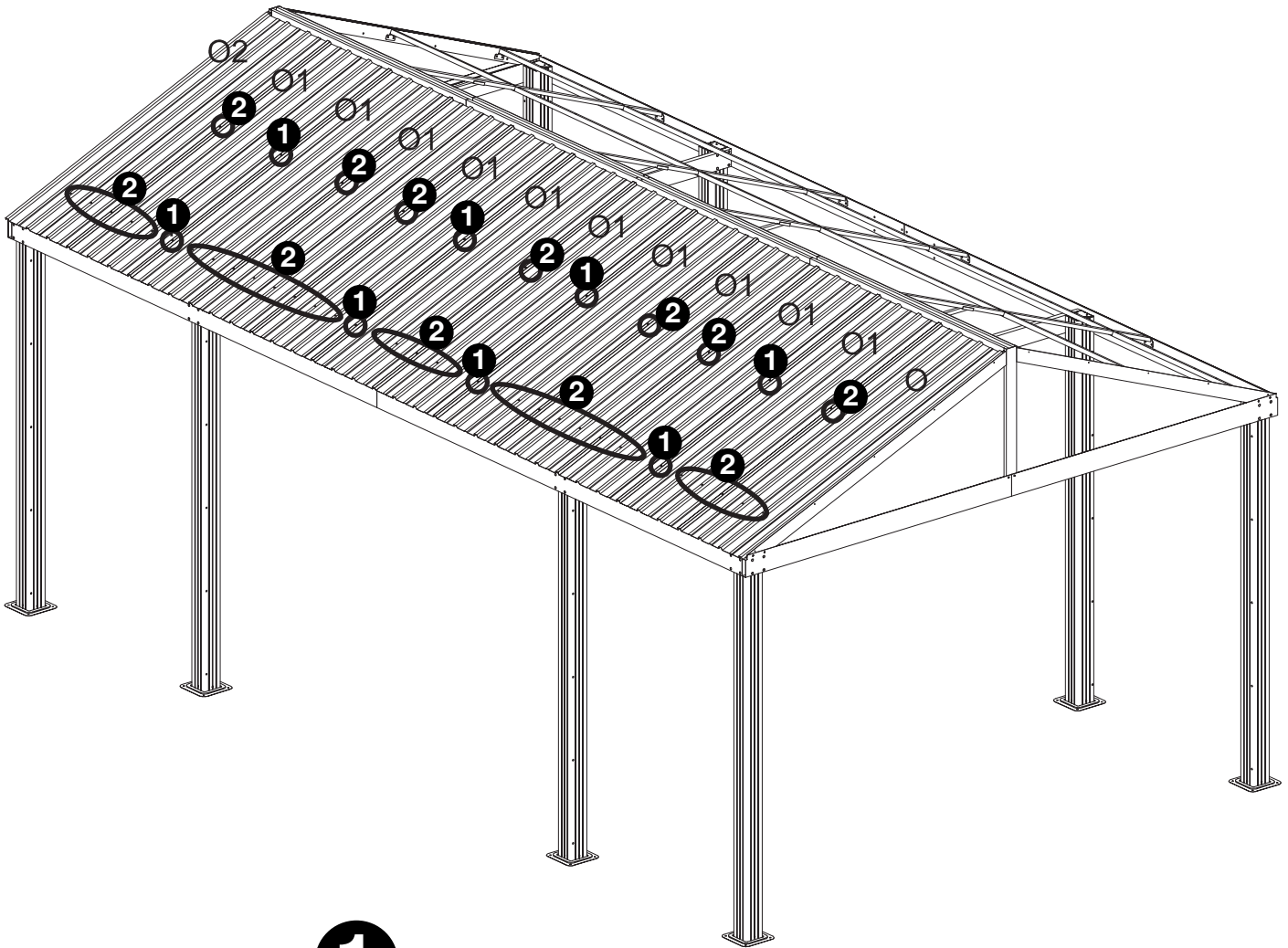
T1 x8

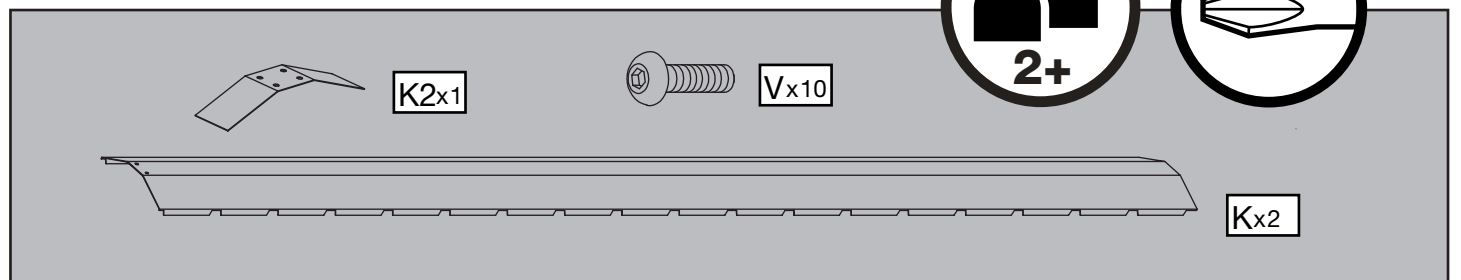
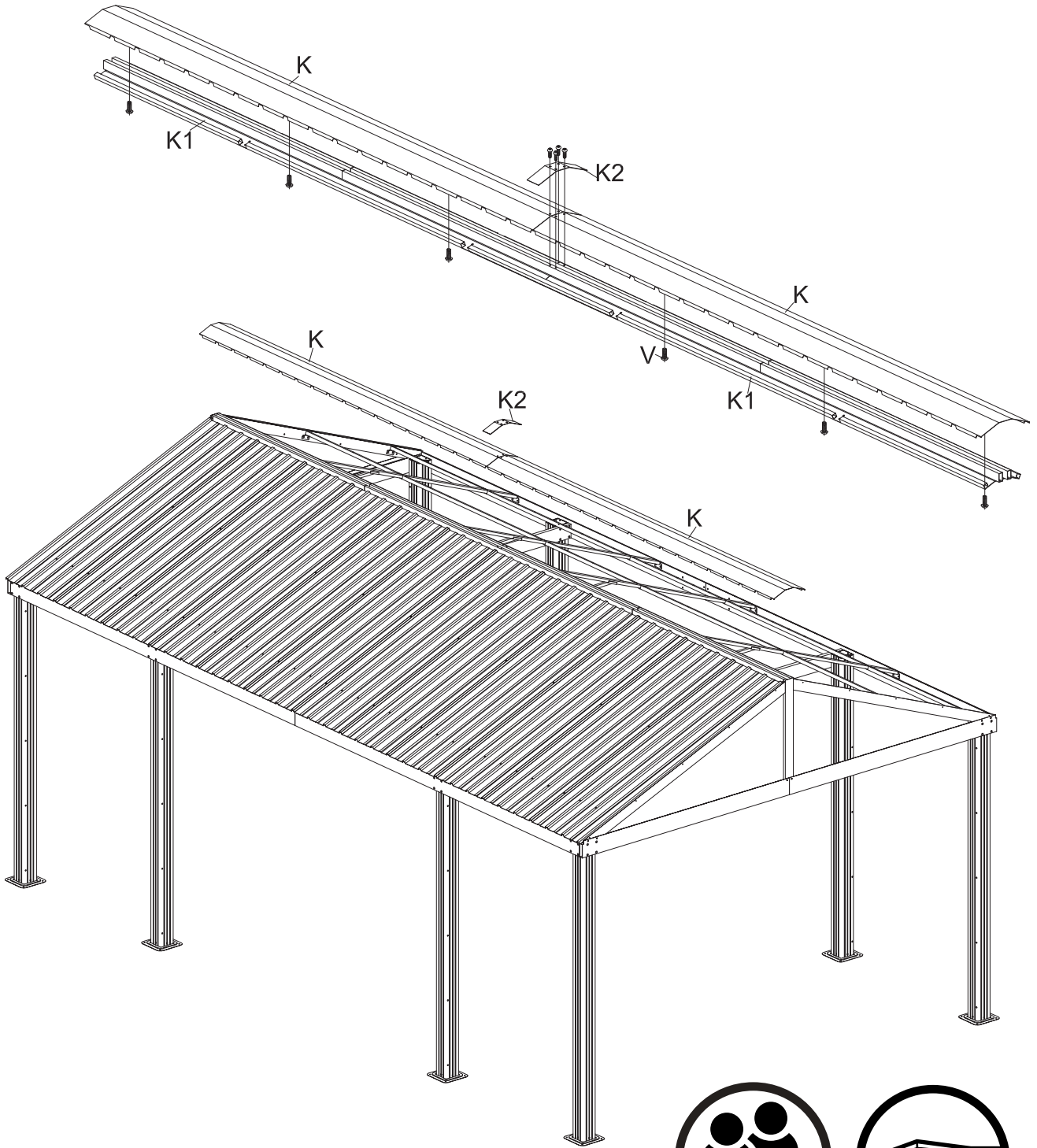


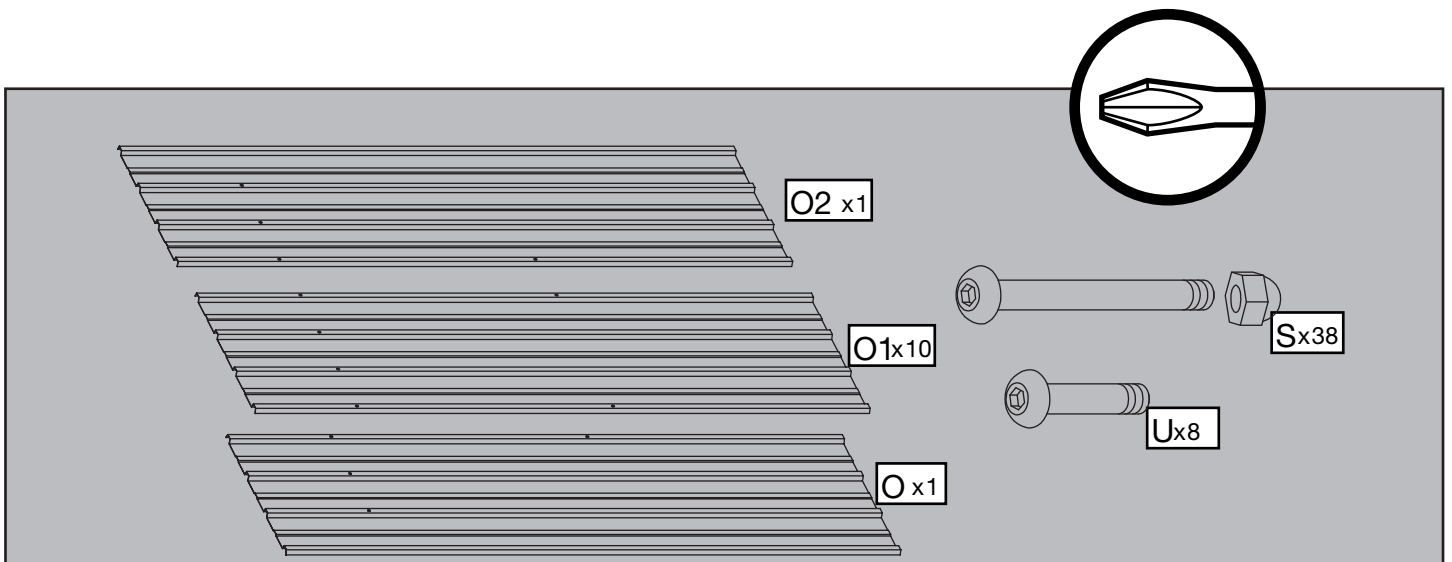
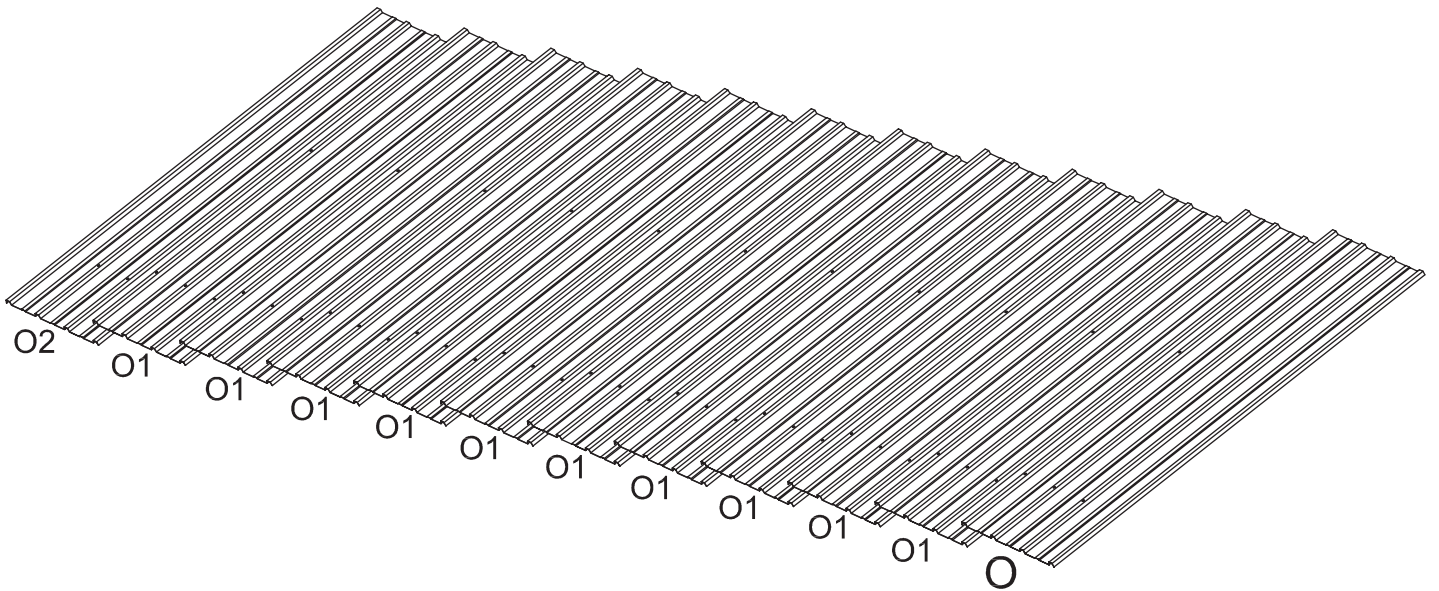
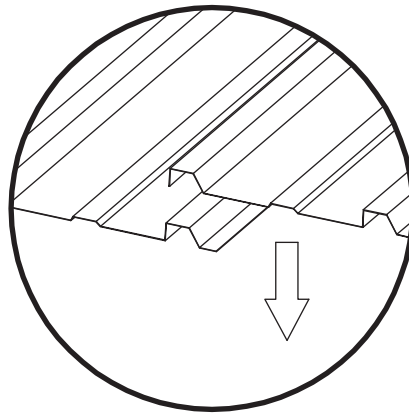
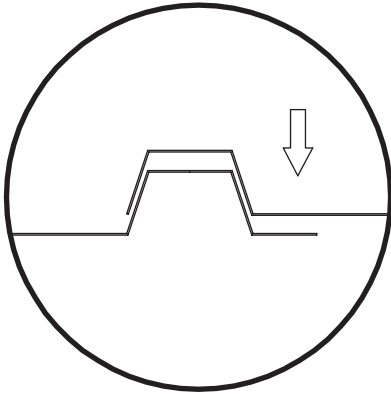
F1 x4



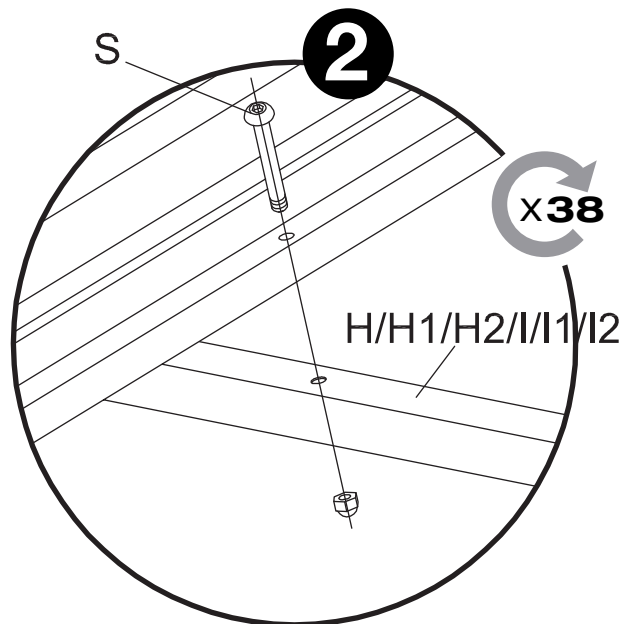
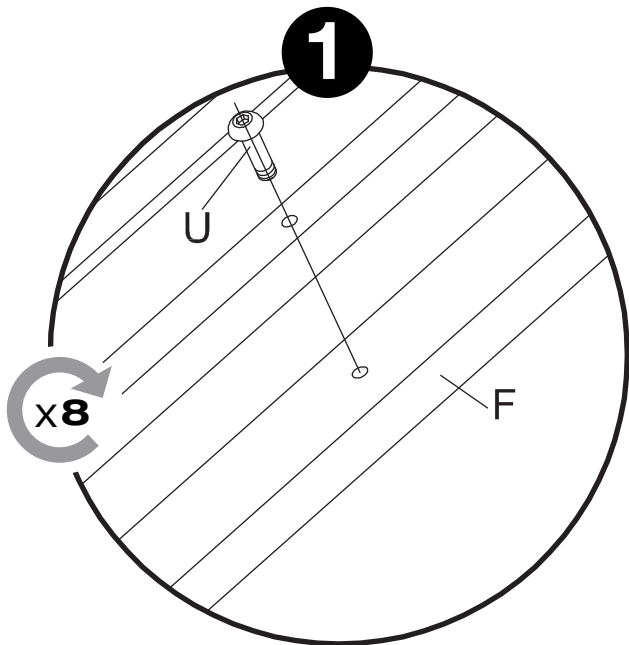
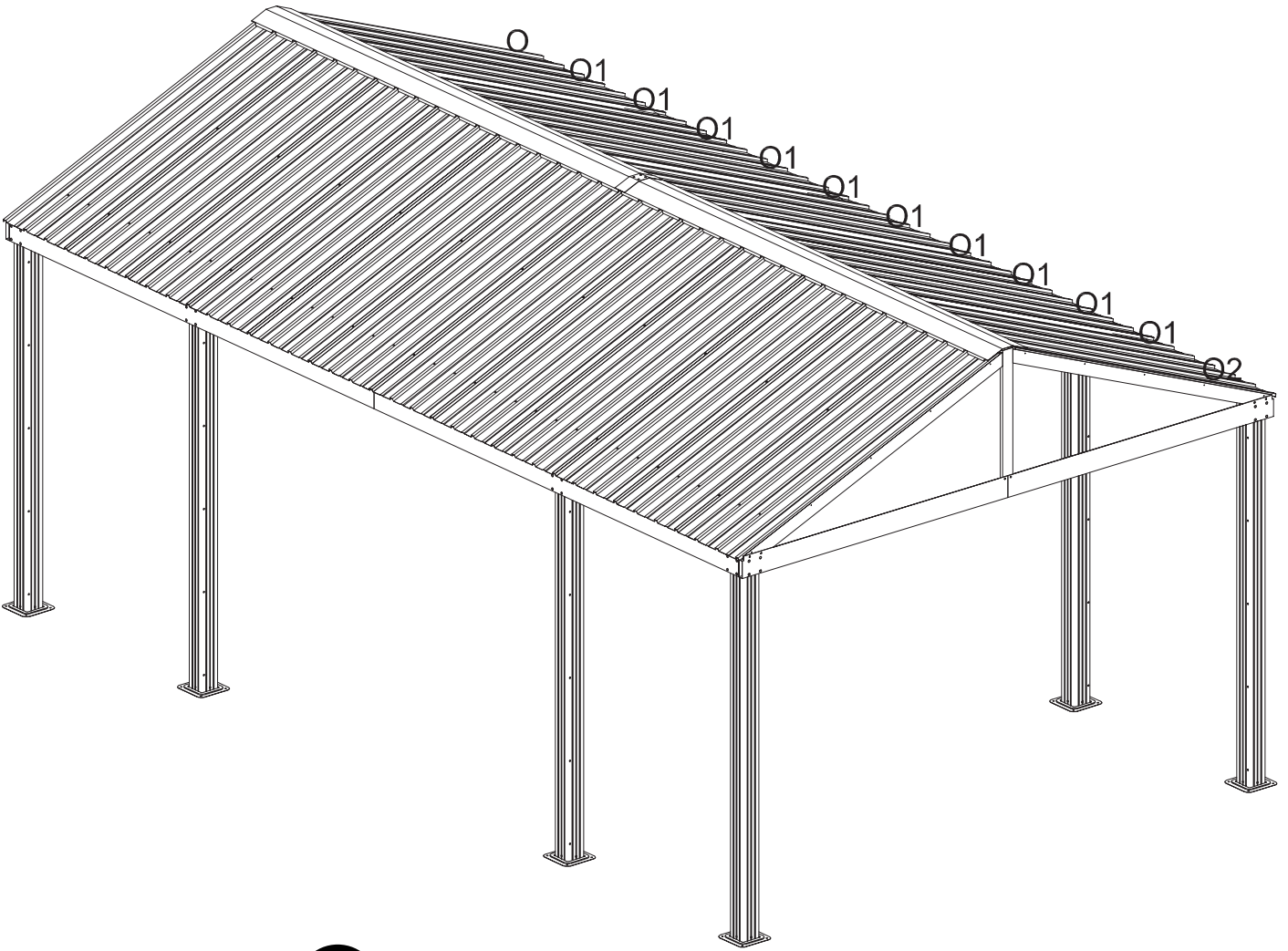
16A/21

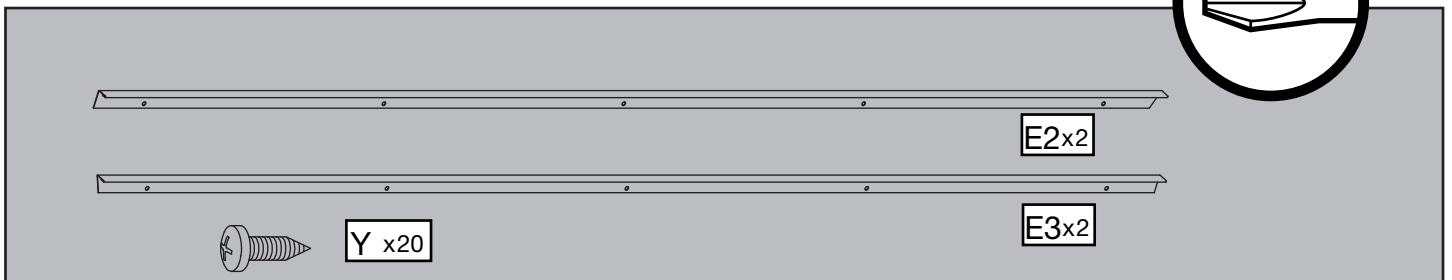
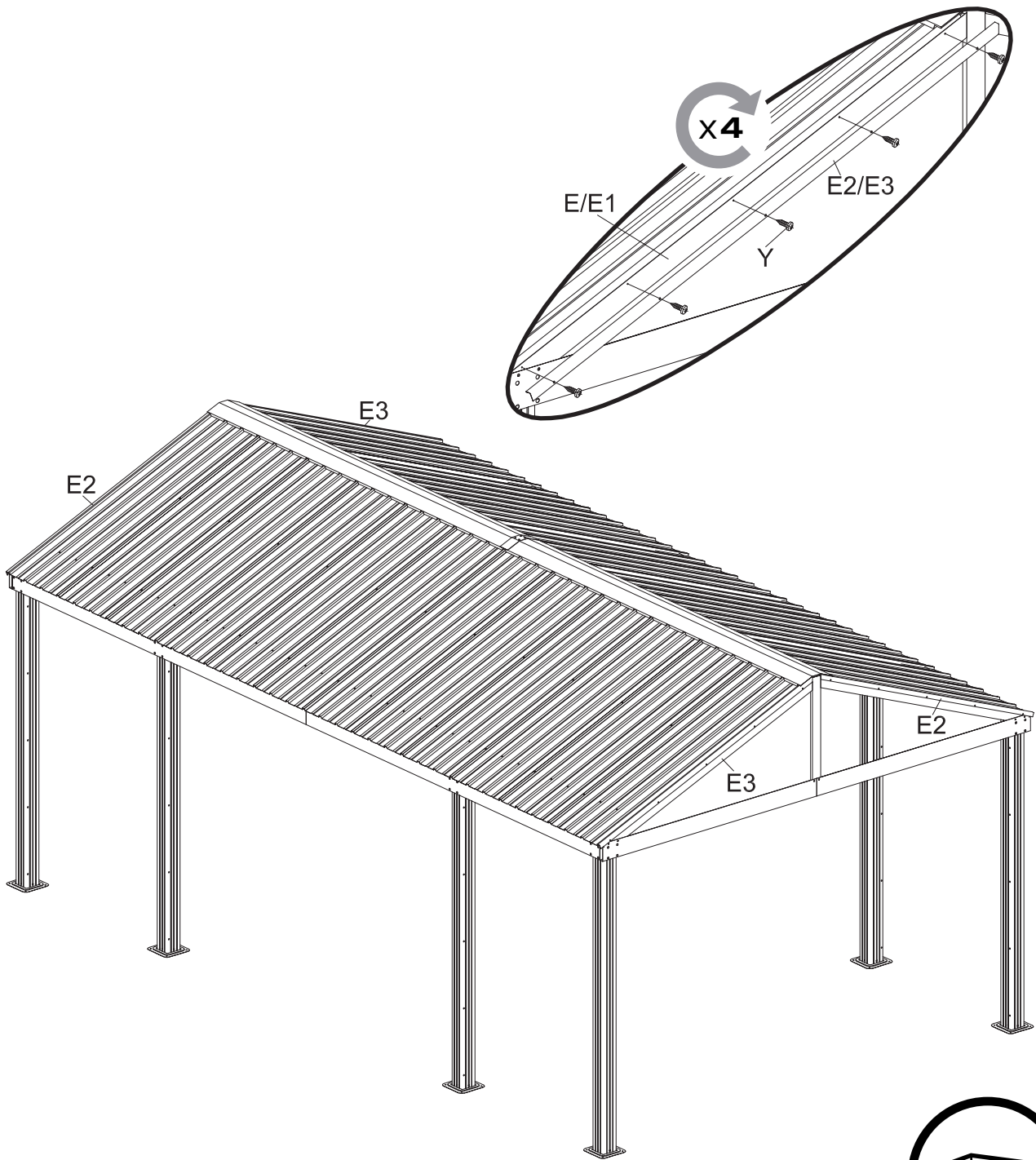


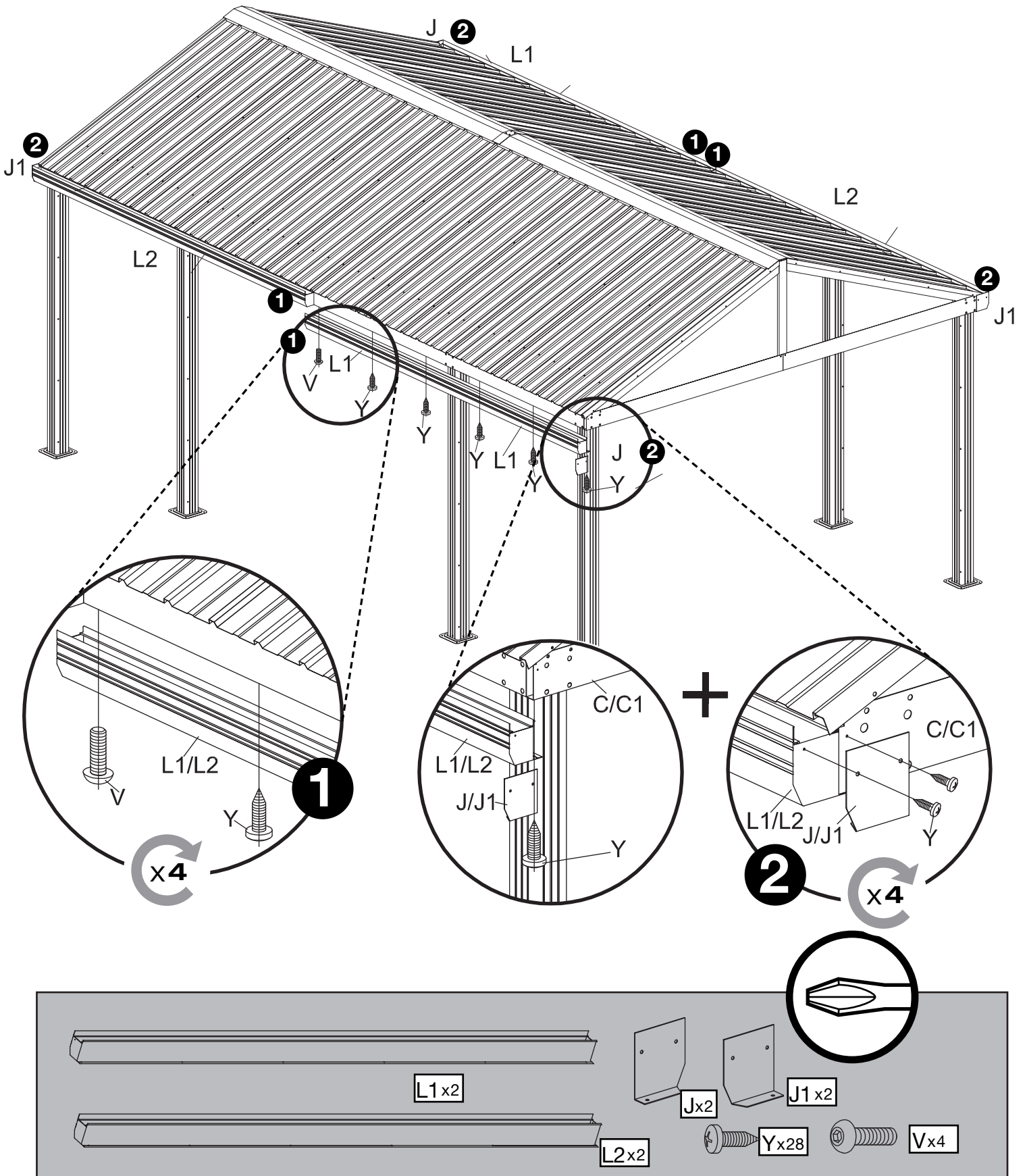




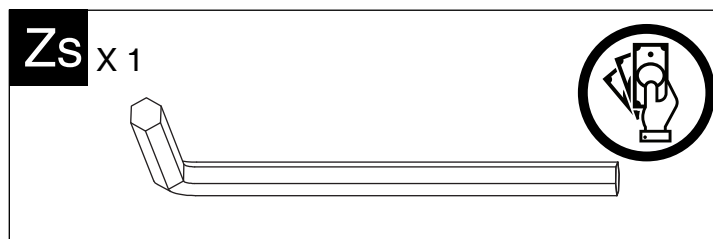
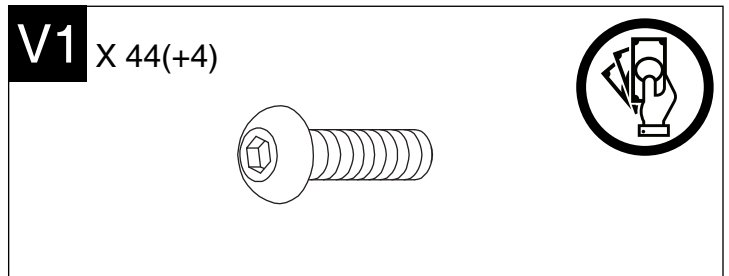
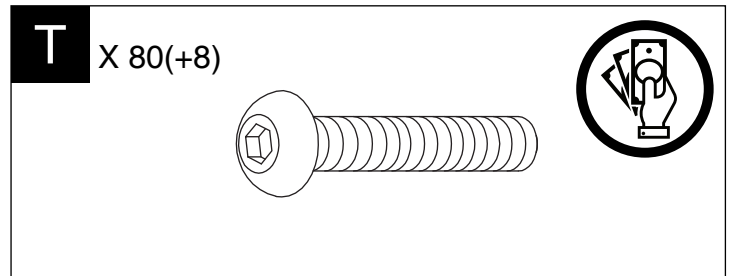
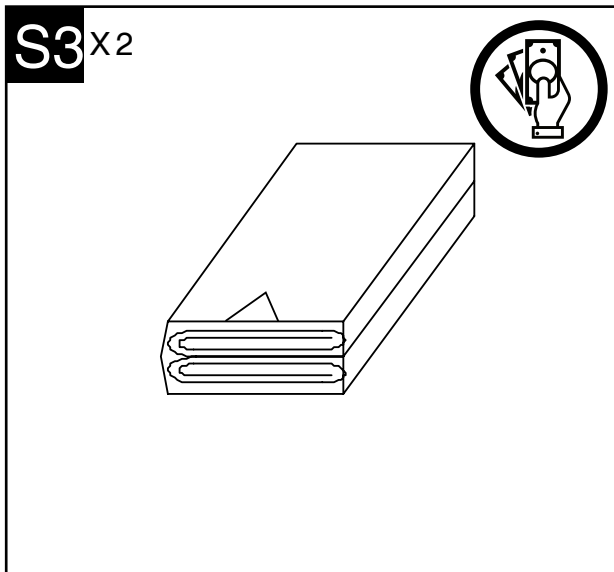
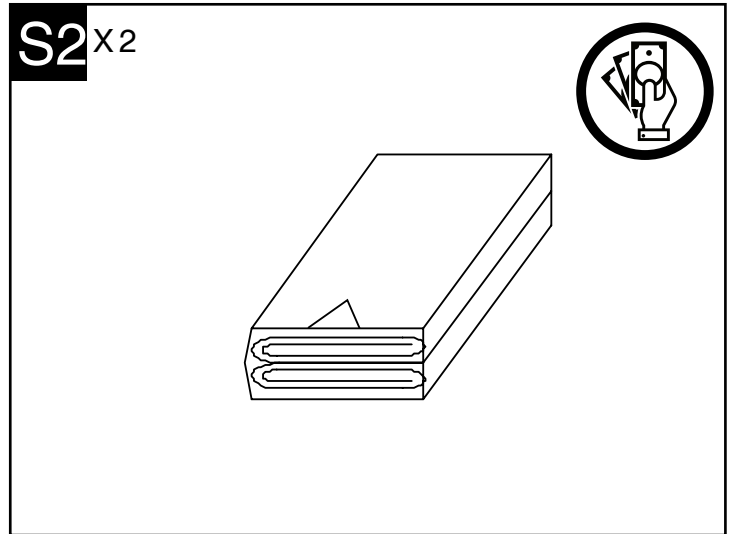
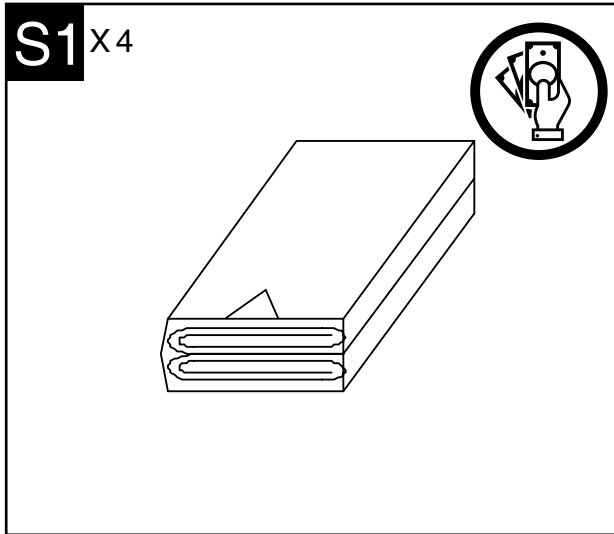
18A/21

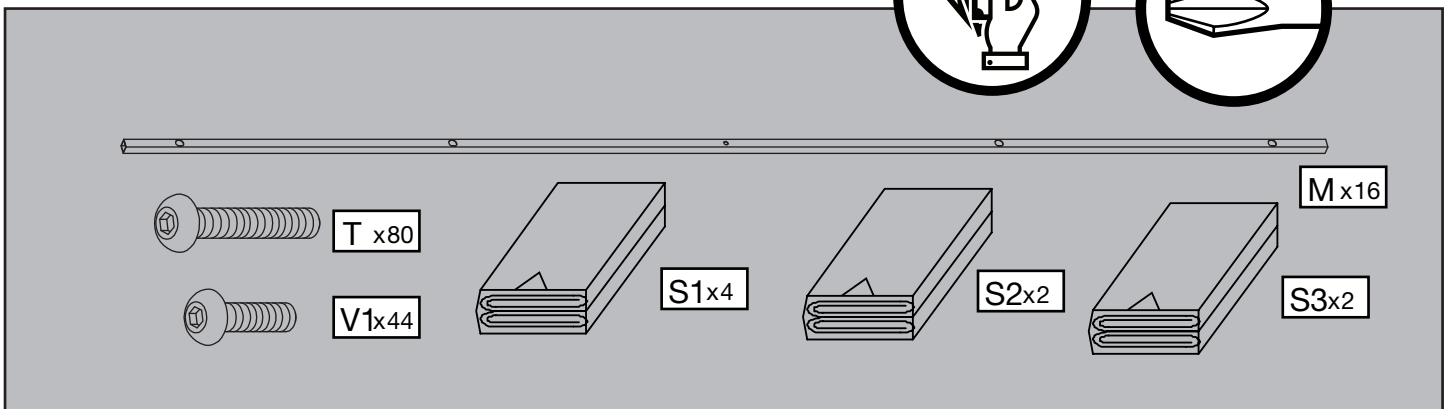
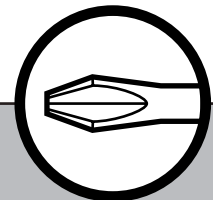
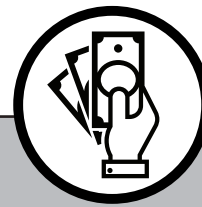
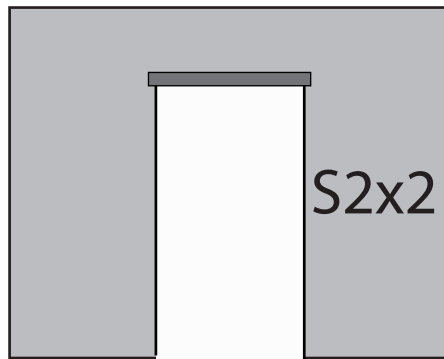
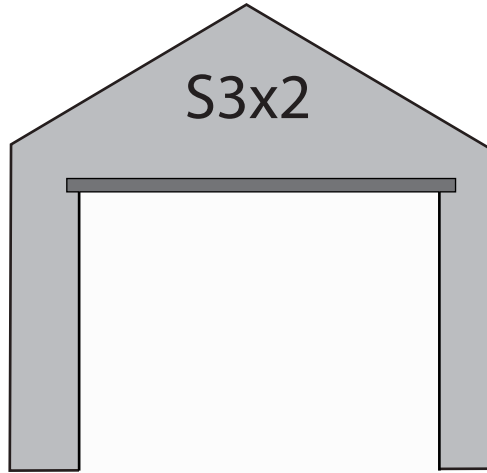




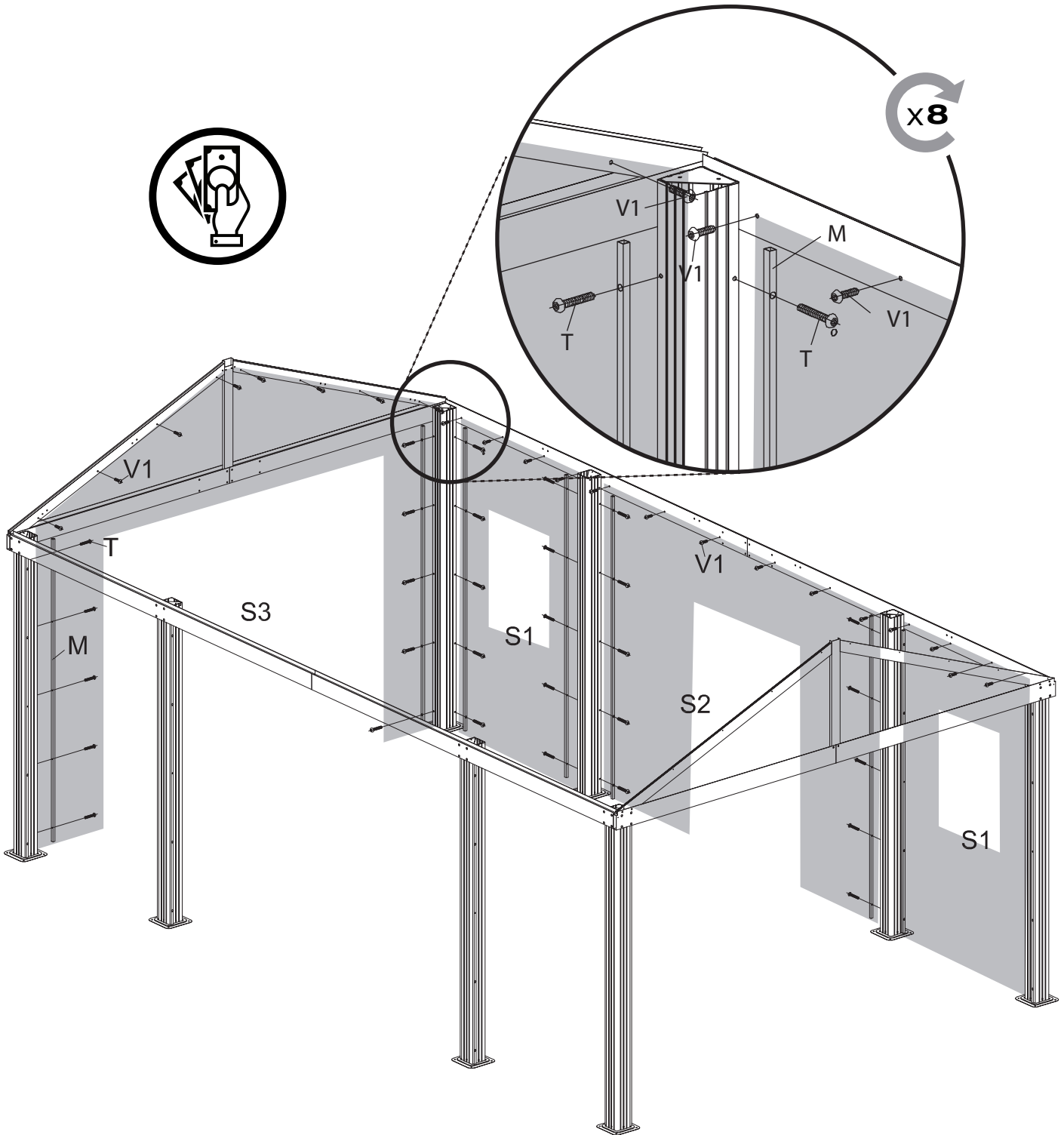


Enclosure kit: sold separately





21A/21



SOJAG ■ I
produits saisonniers • seasonal products