



Best Barns Assembly Book

Revised February 3, 2026



Maker's Loft *12'x 20'*

Manufactured by RBS Holdings, LLC

205 Arlington Drive

Greenville, PA 16125

This manual is copyrighted. Under the copyright laws, this manual may not be copied, in whole or in part, without consent from

RBS Holdings, LLC

© Copyright 2022

IMPORTANT INFORMATION ABOUT YOUR KIT

Thank you for purchasing our kit. Please read the following information before beginning construction. Always check with your local HOA or building code office for any requirements or restrictions.

Floor: Wood flooring is sold optionally. You may choose to build your own or pour a cement pad.

Always wear safety glasses when cutting or nailing!

Tools Required: Hand or Circular Saw
Cordless Drill
Hammer
Pencil

Level
Measuring Tape
6'-8' Ladder(s)

Safety Glasses
Dust Mask
Phillips Screwdriver
Framing Square

Additional Materials - **Not included in kit:**

Required: 8' x 7' Garage Door with 6" low headroom track

Shingles or metal roofing, Drip Edge, Roofing Nails or Screws

Paint, Silicone Paintable Sealant

Optional: Windows, Walk-in Door, Ridge Vent

Terminology:

Square - Confirm corners are at 90 degrees

Plumb - Confirm walls and trusses are straight vertically

Wall Plate - Top and bottom 2x4s used to frame walls

Tie Plate - 2x4s connecting wall sections together

Header - Spans top of door opening

OSB - Oriented Strand Board

LAP - Edge of siding that overlaps Tongue

Tongue - Edge of siding that is overlapped

Organize:

Unpack all items & organize according to size and type. This will make items easier to find when instructed.

Review the parts list on the back page. Should there be missing items or sub-par material contact Best Barns Customer Service.

DO NOT discard any material including the pallet until your project is complete.

Assembly:

Review all instructions before you begin. Please follow steps carefully and in sequence for successful results.

IMPORTANT: Before painting seal the top of all horizontal edges of trim where water can lay.

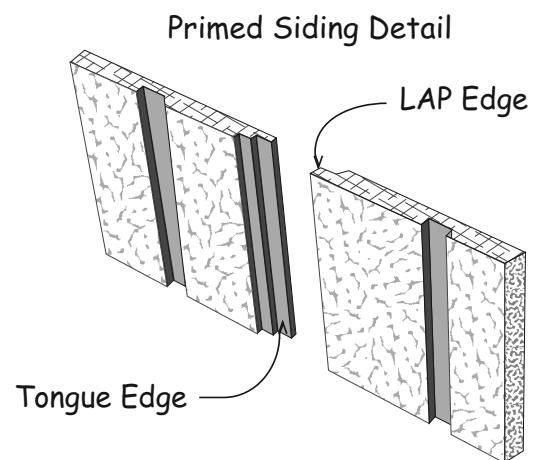
If you have any questions we are happy to assist you. Please contact us at:

Sales / Support 7am - 11pm CDT,

7 Days a Week

Phone 1-877-307-4337

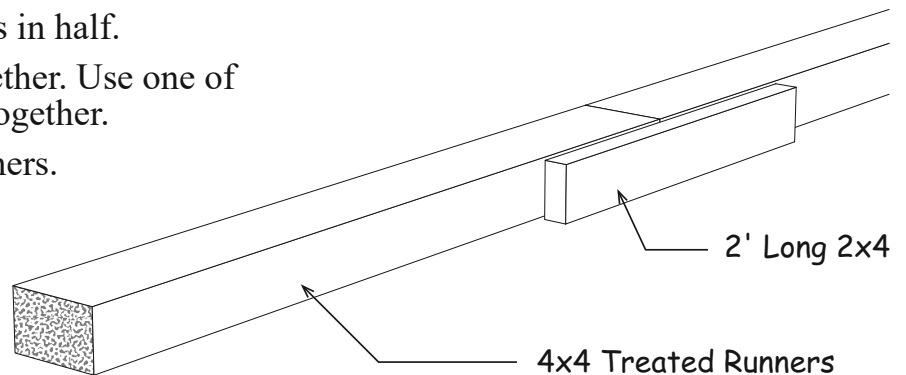
Email - support@shedsforlessdirect.com



Optional Wood Floor System

Shown below is a typical wood floor. Depending on your area, the construction may have to be changed to meet local codes. The foundation size should be 12' - 0" x 20' - 0".

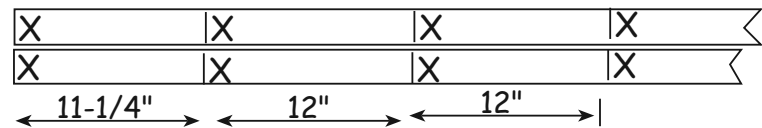
1. Cut (2) two treated 2x4-8' boards in half.
2. Butt 4x4-10' treated runners together. Use one of the 4' long 2x4s to secure them together.
3. Repeat to join the other 4x4 runners.



4. Cut (2) two 2x4-12' joist headers to 12' - 0".
5. Layout for 12" on center joist spacing. 'X' marks where floor joist will be placed.

Detail 1

2x4 - 12' 0"
Joist Header

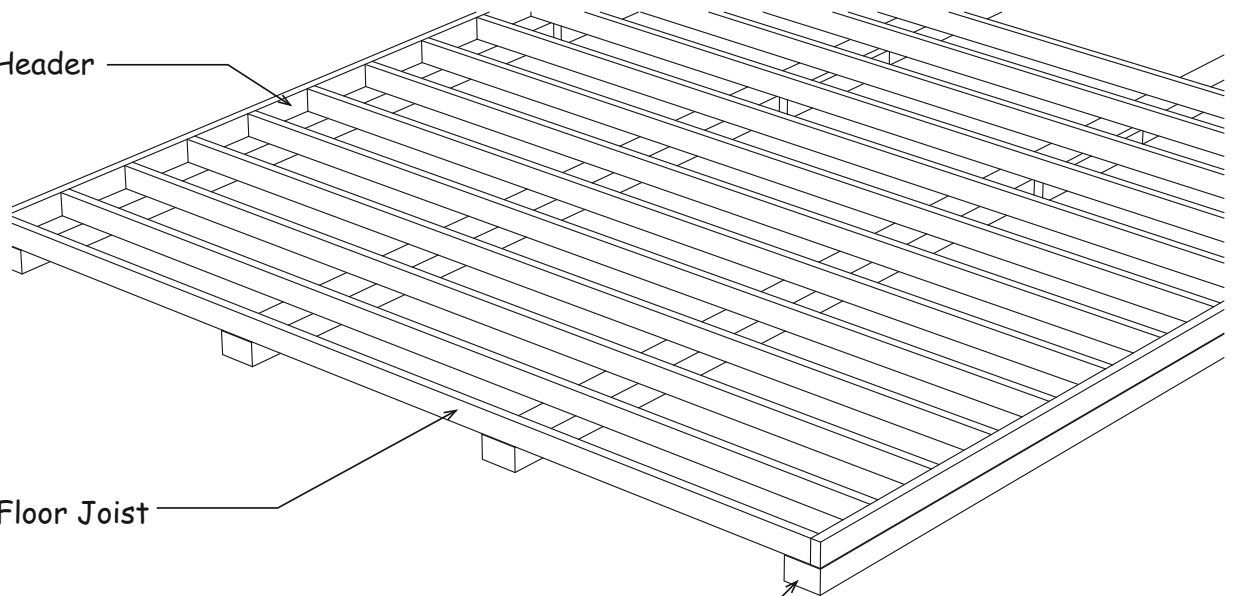


6. Cut all the 2x4-12' boards to 11'-9". These boards will be the floor joist. *Treated lumber may be thicker than 1-1/2". Take this into account when cutting the length of floor joists. Shorten joist measurements if necessary to obtain 12'-0" building width.*
7. Install floor joist boards between the joist headers. Install this section over the 4x4s.

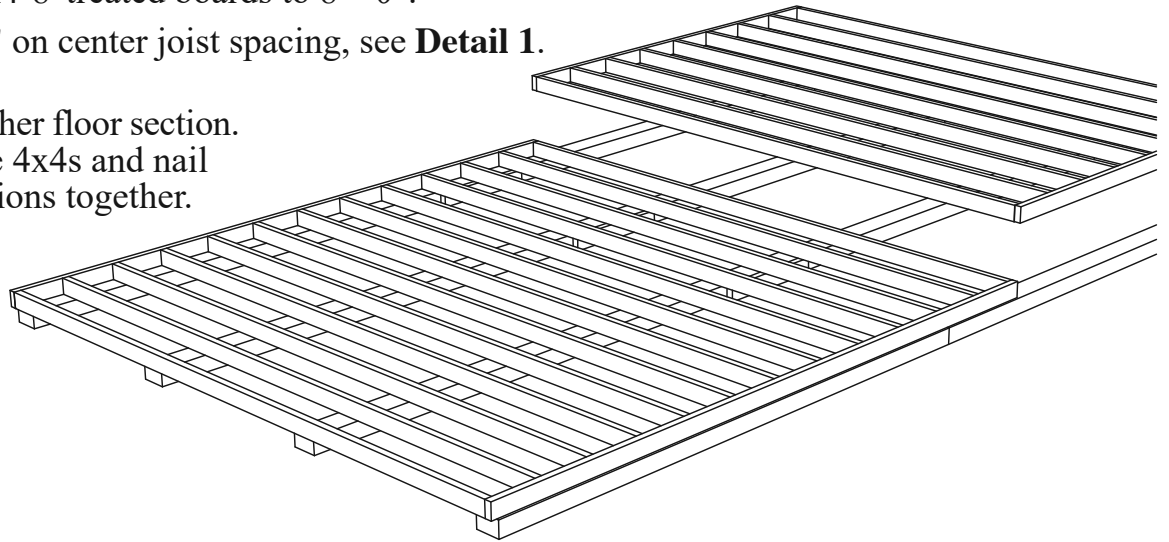
2x4-12' Joist Header

2x4-11' 9" Floor Joist

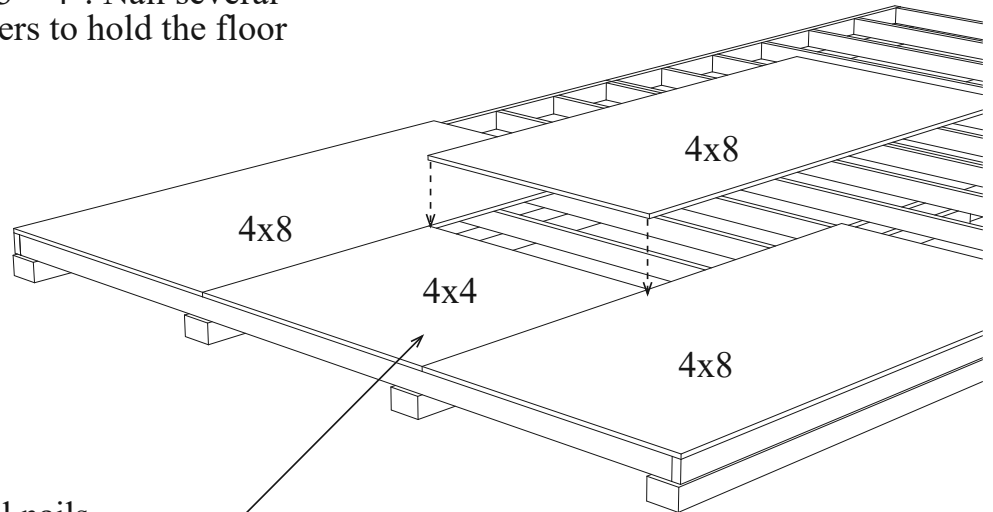
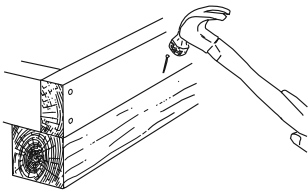
4x4 Runners



8. Cut (2) two 2x4-8' treated boards to 8' - 0".
9. Layout for 12" on center joist spacing, see **Detail 1**.
10. Assemble another floor section.
Install over the 4x4s and nail both floor sections together.



11. Square the floor. See note below. The angle measurement should be 23' - 4". Nail several floor joist to the 4x4 runners to hold the floor frame in place.



12. Install floor using 8d spiral nails.

Notes To Floor

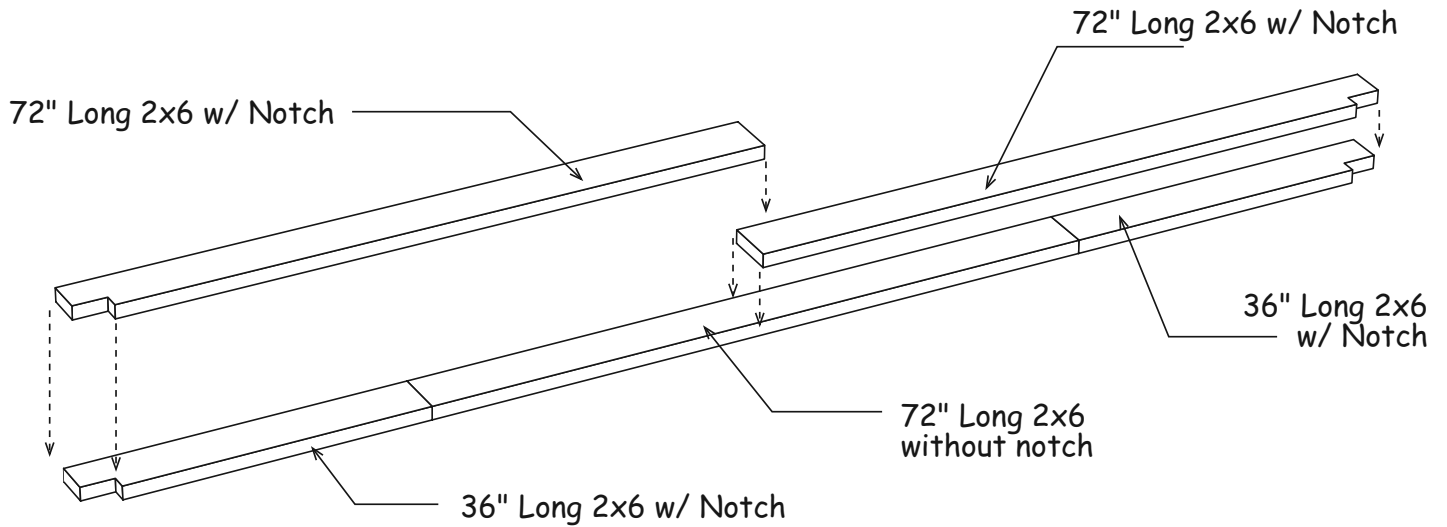
Material Description	12' x 20' shed
2x4 Treated	4 pcs. 8'
2x4 Treated	24 pcs. 12'
4x4 Treated Runners	8 pcs. 10'
Flooring 5/8" or 3/4"	8 pcs. 4x8
Screw Floor Nails	3 lb. 8d
Galv. Box Nails	4 lb. 16d

It is important that the floor be level and square. Square the floor as follows: before nailing the flooring, measure the floor diagonally (corner to corner). Then measure the opposite corners. These measurements will be the same if the floor is square.

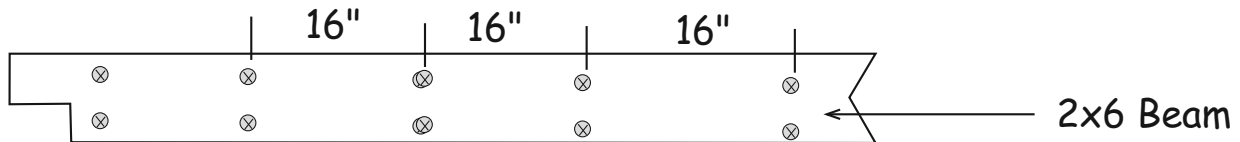
When using a concrete slab for a floor, use the same overall foundation measurements. Install foam sill sealer as a moisture barrier between the concrete and the wall plates. Foam sill sealer is available in rolls, 3-1/2" or wider.

Step 1 Assemble Loft Beams

1. Locate (2) two 36" long 2x6 boards with a notch on one end and a 2x6 board without a notch. Position these 2x6 boards on a flat surface as shown below.
2. Locate (2) two 72" long 2x6 boards with a notch on one end. Install these 2x6 boards over the bottom boards as shown.



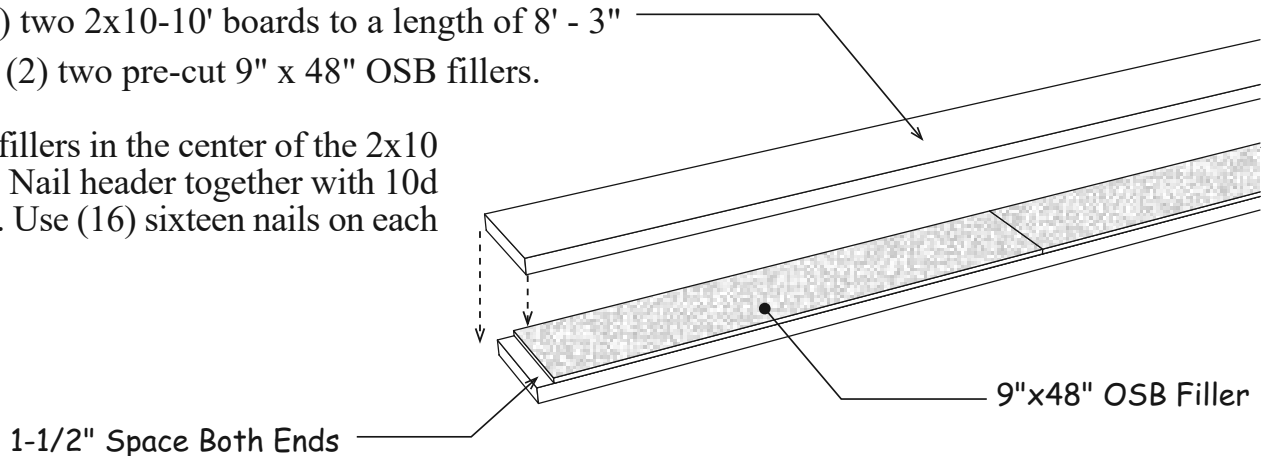
4. Install (2) two rows of 2-1/2" wood screws spaced 16" apart as shown below.



5. Repeat steps to assemble another 2x6 Loft Beam.

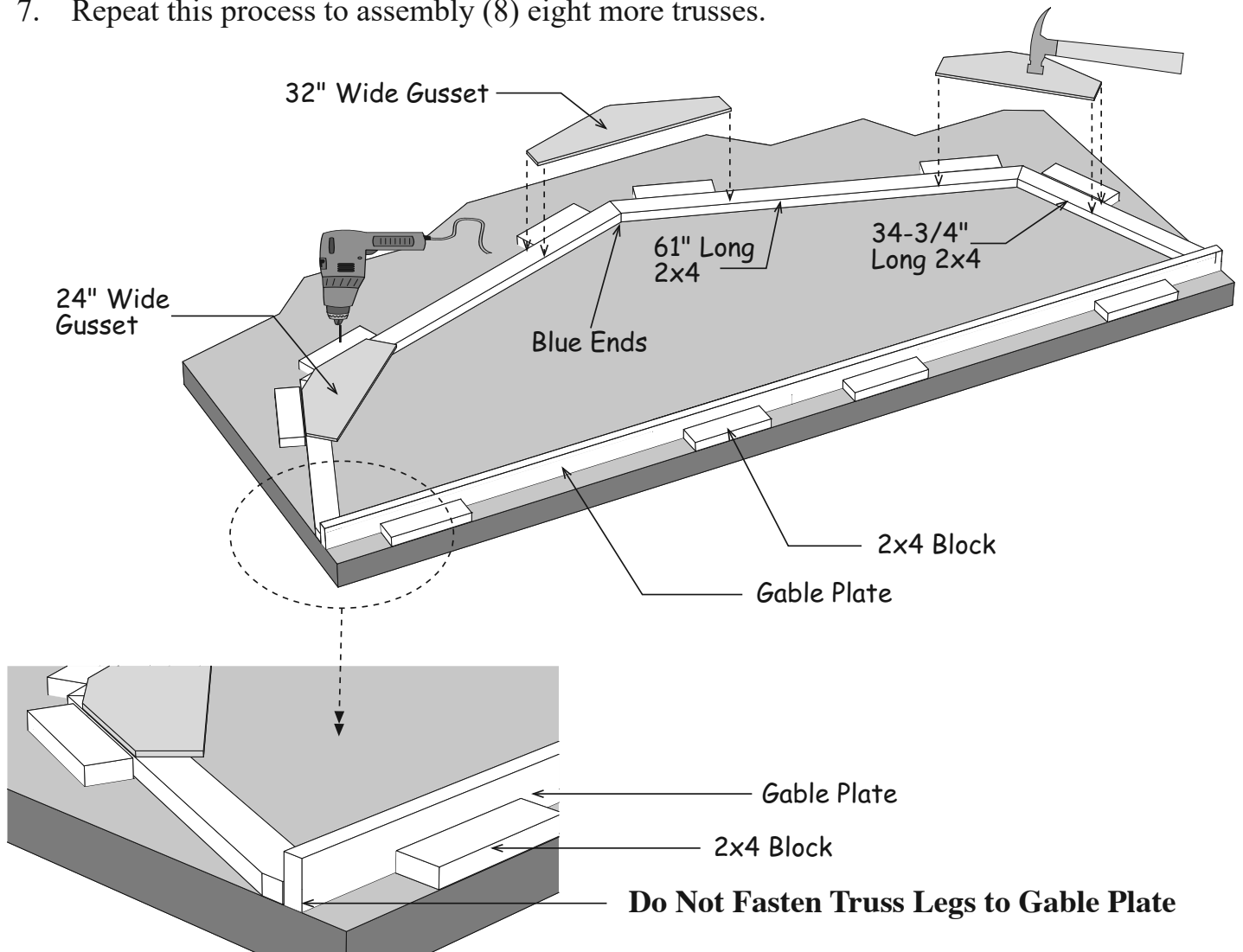
Step 2 Assemble Door Header

1. Cut (2) two 2x10-10' boards to a length of 8' - 3"
2. Locate (2) two pre-cut 9" x 48" OSB fillers.
3. Install fillers in the center of the 2x10 boards. Nail header together with 10d sinkers. Use (16) sixteen nails on each side.




Step 3 Assemble Trusses

1. If necessary cut (2) two 2x4-12' long 2x4s to 144". Position one as a Gable Plate on the floor with the narrow edge side down.
2. Gather (2) two 61" and (2) two 34-3/4" long 2x4 rafters and arrange as shown below. The 61" long rafters will have a blue end which butt together at the peak. Measure diagonally from where the 61" and 34-3/4" boards meet to the opposite end of the Gable Plate. Repeat on the other side. The measurement should be the same or within 3/8". Adjust position of the boards if necessary.
3. Temporarily screw short 2x4s that may have angle cuts around the truss. These will insure the remaining trusses are built identically.
4. Secure rafters together with (2) two 24" wide gussets and a 32" wide gusset at the peak. Use (25) twenty-five 6d common nails spaced evenly on each gusset.
5. Turn truss over and secure gussets to other side.
6. Set aside truss leaving the Gable Plate in the jig.
7. Repeat this process to assembly (8) eight more trusses.

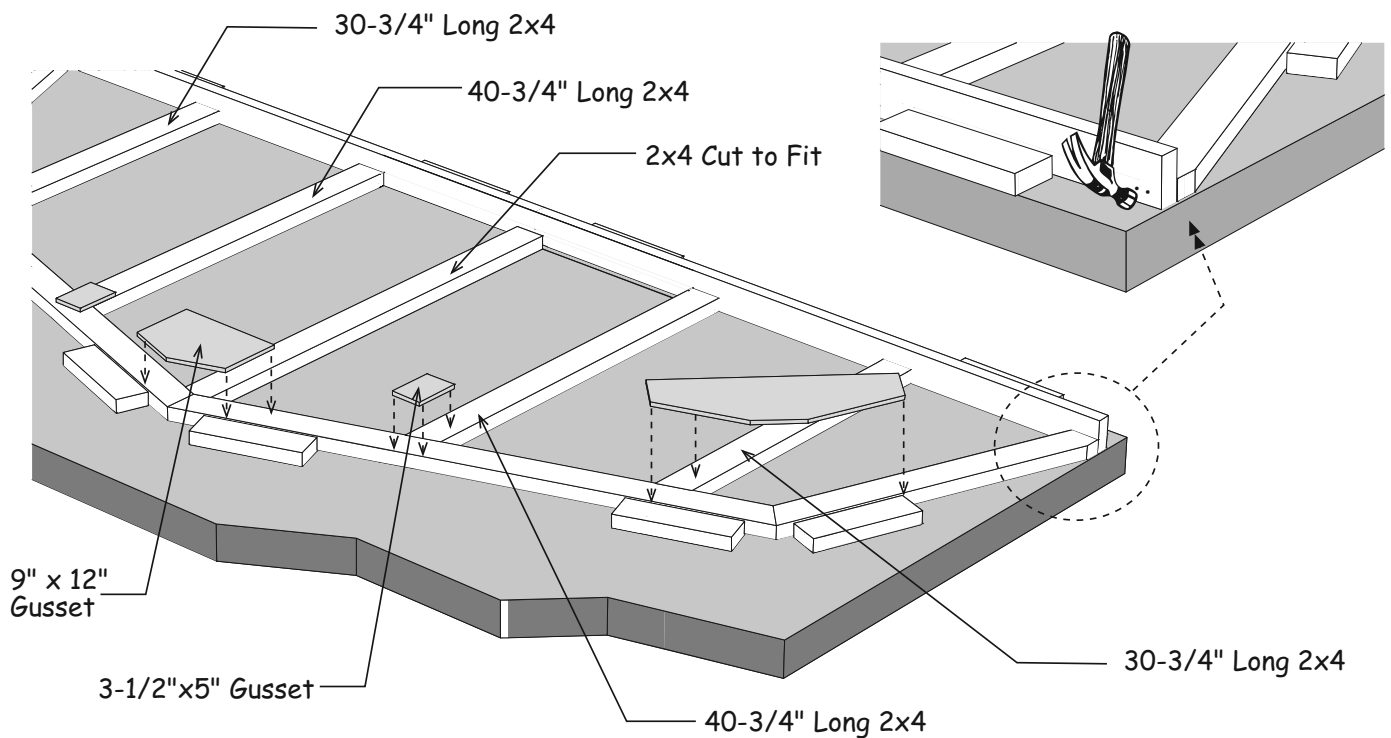


Step 4A Assemble Roof Gable without Loft Doors

 If you do not want to install the loft doors on the front gable for outside access to the loft area build (2) two gables as described in this step.


1. Place (2) two 61" and (2) two 34-3/4" long 2x4 rafters in jig as done for trusses.
2. Place (2) two 40-3/4" long 2x4s with angle cut on one end. Secure the bottom to the 2x4 Gable Plate by nailing through plate with (2) two 10d sinkers. Secure the top with 3-1/2"x5" gussets using (4) four 6d common nails.
3. Place (2) two 30-3/4" long 2x4s with an angle cut on one end. Nail through Gable Plate. Secure 61" and 34-3/4" long rafters and top of 30-3/4" long 2x4 with 24" wide gussets
4. Cut a 50" long 2x4 with angles on one end to fit between Gable Plate and under center of truss peak. Nail through Gable Plate with (2) two 10d sinkers. Secure the top with a 9"x12" gusset.
5. Nail truss leg to 12' Gable Plate with 10d sinkers.
6. Either repeat to build another gable without loft doors or proceed to next step to build with working loft doors.

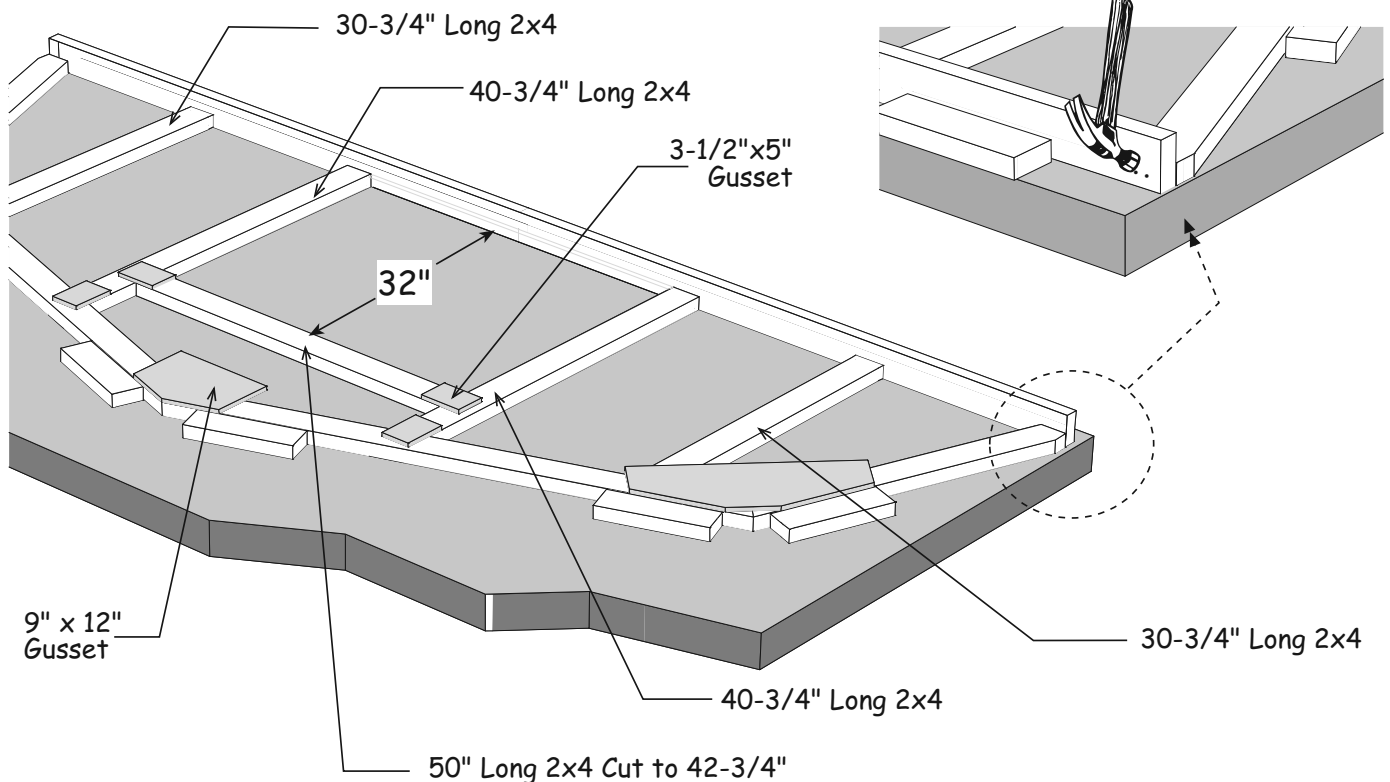
 Remove short 2x4 blocks if you have built (2) two gables without loft doors.



Step 4B Assemble Roof Gable with Loft Doors

1. Place (2) two 61" and (2) two 34-3/4" long 2x4 rafters in jig as done for trusses.
2. Secure the top with a 9"x12" gusset.
3. Place (2) two 40-3/4" long 2x4s with angle cut on one end. Secure the bottom to the 2x4 Gable Plate by nailing through plate with (2) two 10d sinkers. Secure the top with 3-1/2"x5" gussets using (4) four 6d common nails.
4. Place (2) two 30-3/4" long 2x4s with an angle cut on one end. Nail through Gable Plate. Secure 61" and 34-3/4" long rafters and top of 30-3/4" long 2x4 with 24" wide gussets
5. Select a 50" long 2x4 with angles on one end. Cut off end with angles so board is 42-3/4" long. Position board 32" from gusset on Gable Plate. Secure to 40-3/4" boards using 3-1/2"x5" gussets.
6. Nail truss leg to 12' Gable Plate with 10d sinkers.

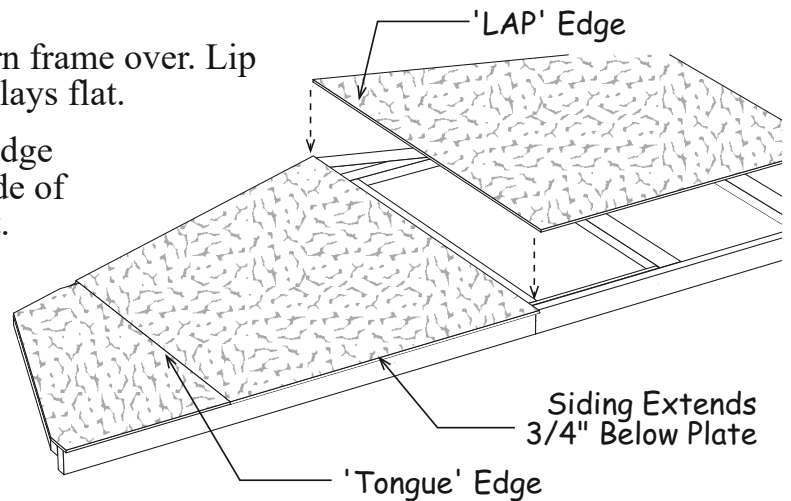
 Remove short 2x4 blocks.



Step 5A Apply Siding to a Gable without Loft Doors

Building Tip: Gather pre-cut gable siding and position them on gable frames before nailing. Siding should extend 3/4" below Gable Plate. If siding extends above frame cut siding flush with frame.

1. Select a gable without loft doors and turn frame over. Lip Gable Plate over edge of floor so frame lays flat.
2. Select the siding panel with a 'Tongue' edge on right side. Install this panel on left side of gable. Use 6d galv. nails spaced 8" apart.
3. Continue to right side with pre-cut siding panels.



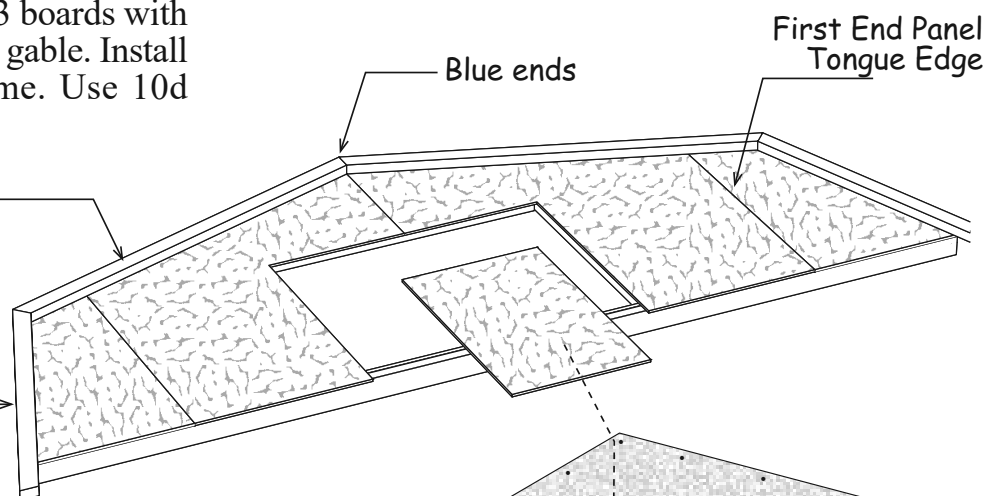
Step 5B Apply Siding to Gable with Loft Doors

 If you are installing the loft doors and trim as a decorative plant (not operating) do not cut siding to make a loft door opening. Nail loft door frames to siding.

1. Select a siding panel with a 'Tongue' edge and install on right side of gable. Before you install the center siding panels, lay them on the frame and trace the top and side of the door opening on the siding panels. Cut panels from bottom of siding to top of door opening. Save these pieces to be installed on loft doors below.

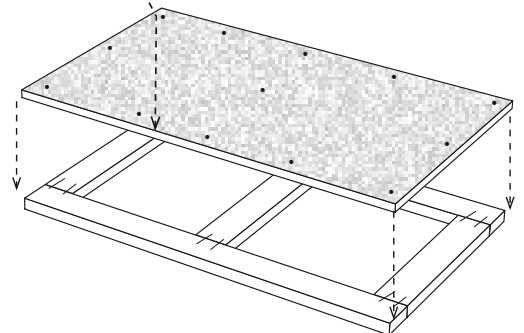
2. Install (2) two 61" long 2x3 boards with blue marking at peak of the gable. Install 2x3 flush with gable frame. Use 10d sinkers spaced 6" apart.

61" Long 2x3



3. Install (2) two 42-1/2" long 2x3s. Use 10d sinkers.

4. The loft door frames are temporarily held together with corrugated fasteners. Place the doors on level surface with fasteners facing up. Re-cut the siding from step 1 to the size of the door frame. Place primed side down and secure the siding panel to the frame with 1" screws. Set doors aside. They will be installed in a later step.



Important Information on Framing and Siding Walls



The length of pre-cut studs will vary from 92-1/4" to 93" depending on what part of the country you are located.

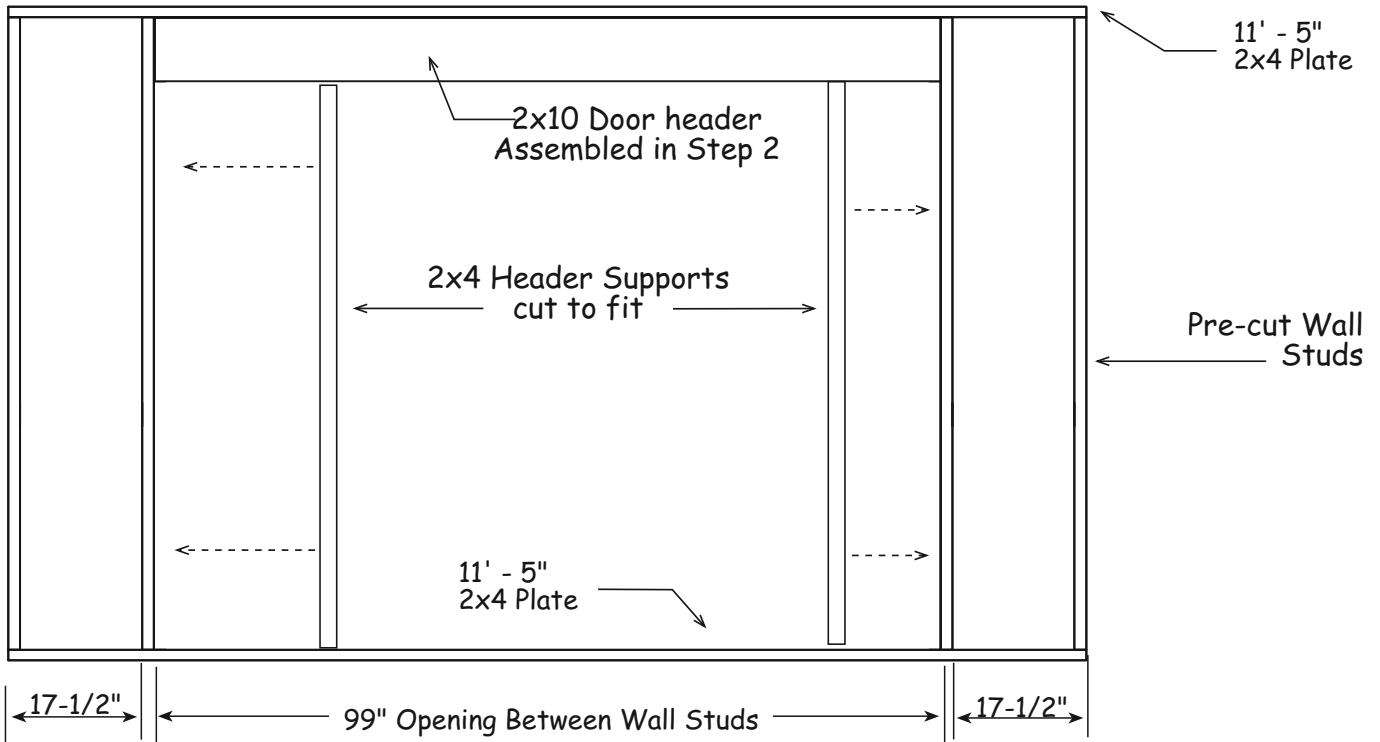
If installing the building on a wood floor siding should extend 3/4" below bottom plate. If installing on a cement slab cut the siding flush with the bottom plate.

Square wall frames before installing siding. Measure diagonally (corner to corner). The measurements will be the same when the wall is square.

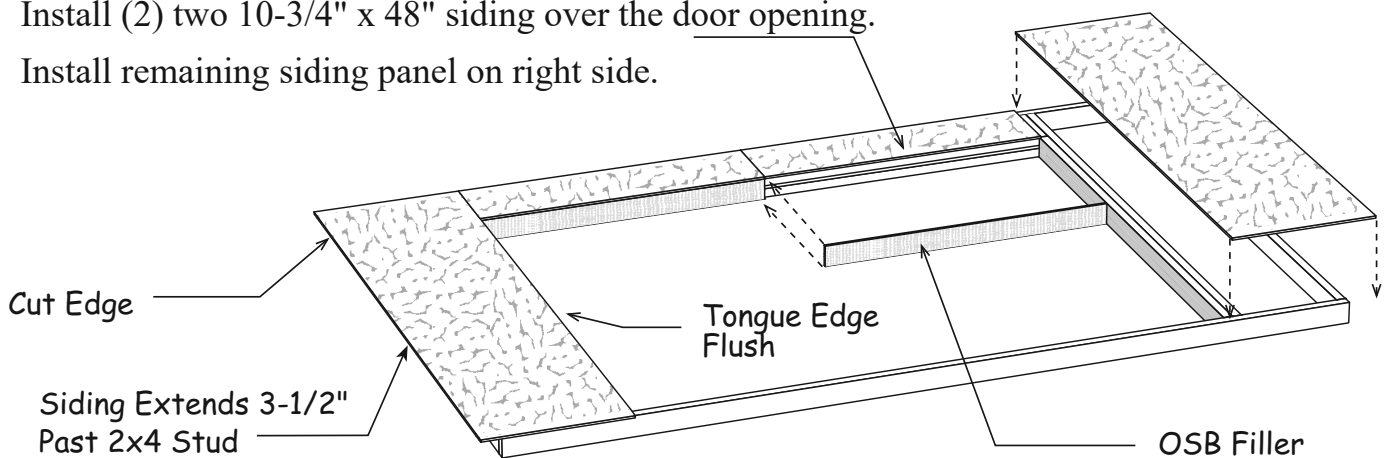
If you are installing the optional walk-in door refer to the door manufacturers installation instructions for correct rough opening size. Depending on your preferred location you may need to purchase additional framing lumber.

Step 6 Assemble Front Wall

1. Cut (2) two 2x4-12' boards to 11'- 5" in length.
2. Install (4) four pre-cut wall studs between the plates as shown below. Use (2) two 10d sinkers on each end per stud.
3. Install the 2x10 door header assembled in **Step 2**. Nail through top plate with 10d sinkers spaced 12" apart and through pre-cut stud.
4. Cut to fit (2) two pre-cut wall studs and install between door header and bottom plate. Attach to left and right studs. Use (4) four 10d sinkers each.

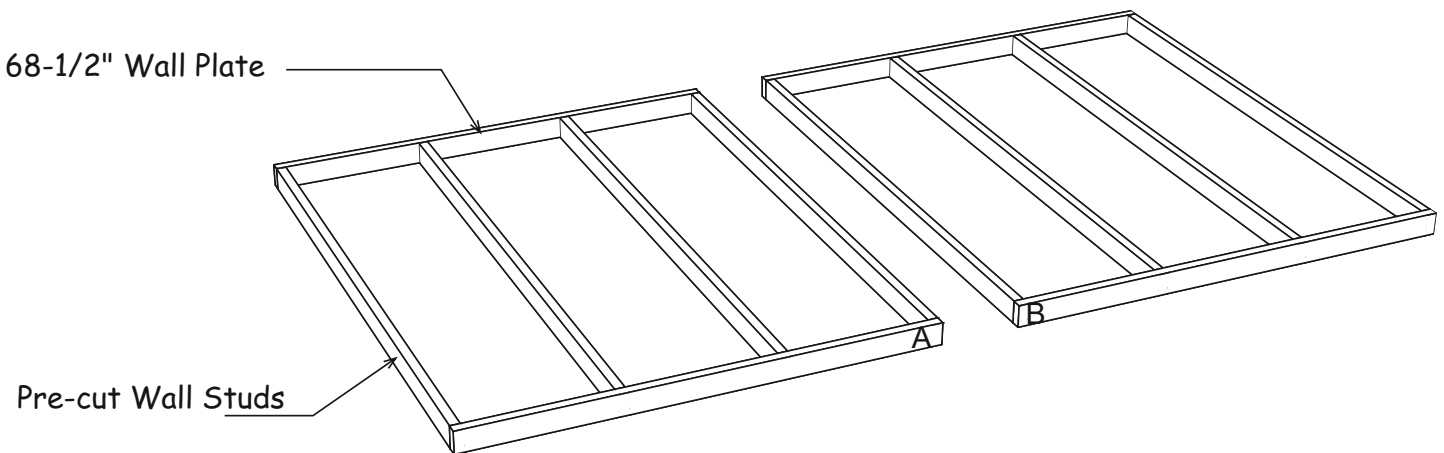
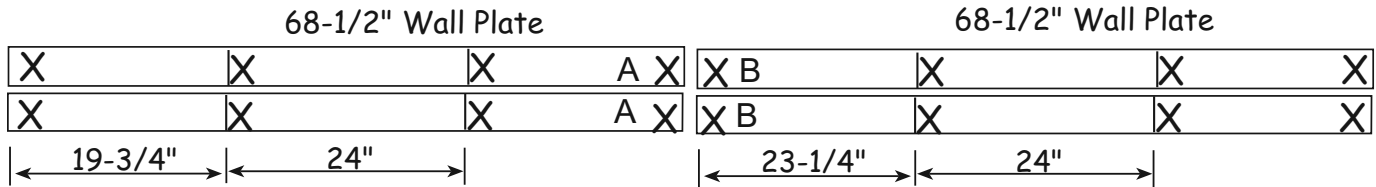


5. Cut a 4x8 siding panel in half. Install the half with the tongue edge flush with door opening and extending 3-1/2" beyond the end of the wall stud. Siding should extend 3/4" below the bottom plate unless installing building on concrete slab. Use 6d galv. nails spaced 8" apart.
6. Install (2) two 3-1/2" x 48" OSB fillers under the door header.
7. Install (2) two 10-3/4" x 48" siding over the door opening.
8. Install remaining siding panel on right side.

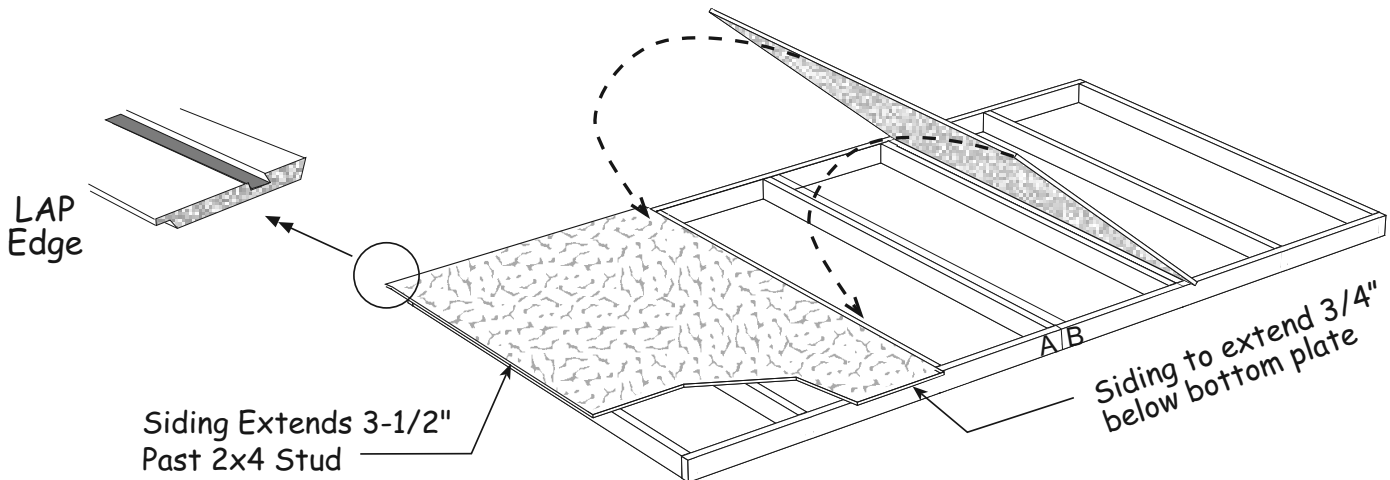


Step 7 Assemble Back Wall

1. Position (4) four 2x4x68-1/2" boards together and indicate with 'X' marks where the wall studs will be located. Mark the ends that will butt together with the letters 'A' and 'B'.
2. Install (8) eight pre-cut wall studs, between the wall plates, over the 'X' marks and where the plates meet. Use (2) two 10d sinkers at each end of stud. Nail wall sections together using (4) four 10d sinkers on each side of studs.

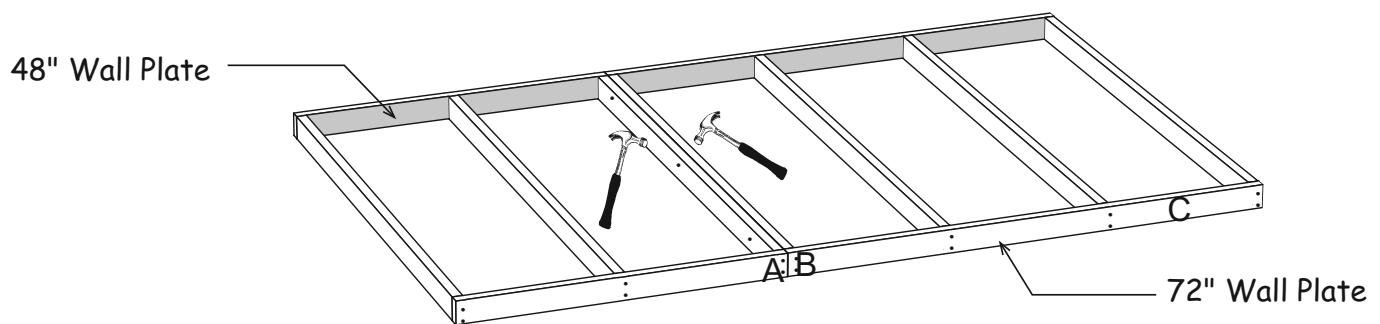
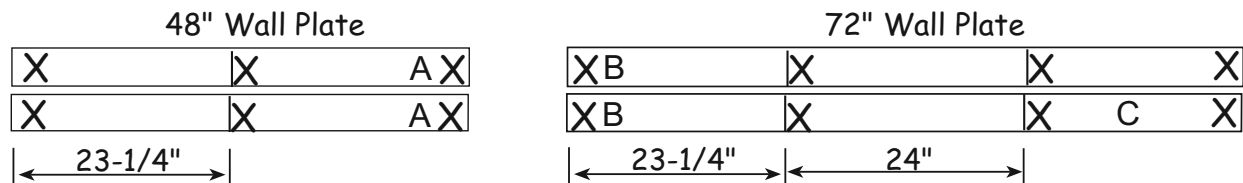


3. Square wall frame. *Measure diagonally (corner to corner). The measurements will be the same when the wall is square.*
4. Install the 1st siding panel with the 'LAP' edge extending 3-1/2" past the wall frame. Use 6d galvanized box nails spaced 8" apart. The bottom will extend 3/4" below the bottom plate, or trim flush for cement slab.
5. Install (2) two more siding panels. Cut the last panel to extend 3-1/2" beyond the wall frame.




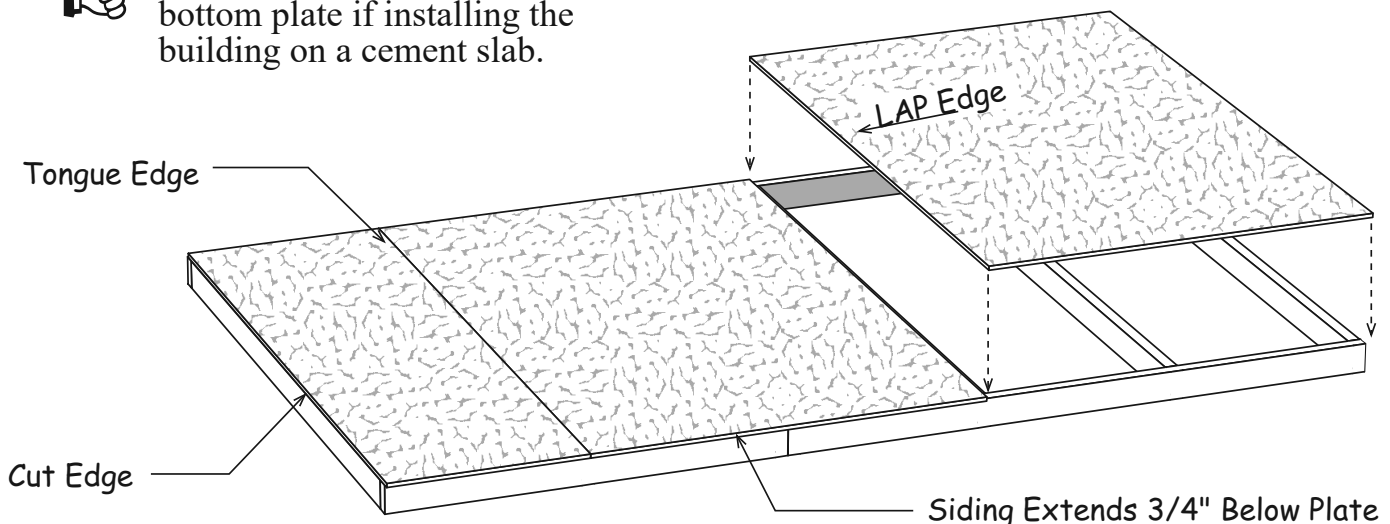
Step 8A Assemble Side Walls

1. Position (2) two 2x4-48" boards and (2) two 2x4-72" boards together and indicate with 'X' marks where the wall studs will be located. Mark the ends that will butt together with the letters 'A' and 'B'. Mark right side end with a 'C'. This will be referenced in a latter step.
2. Install (7) seven pre-cut wall studs between the wall plates. Use (2) two 10d sinkers at each end of stud. Nail the frames together with (4) 10d sinkers on each side.
3. Repeat to assemble (3) three more 10' long side wall frames.



4. Cut one of the 48" wide siding panels in half lengthways.
5. Select the 2' wide panel, with the 'tongue' edge, and install this panel with the 'cut' edge 'flush with the end of the wall and extending 3/4" below the bottom plate.
6. Install (2) two more siding panels.

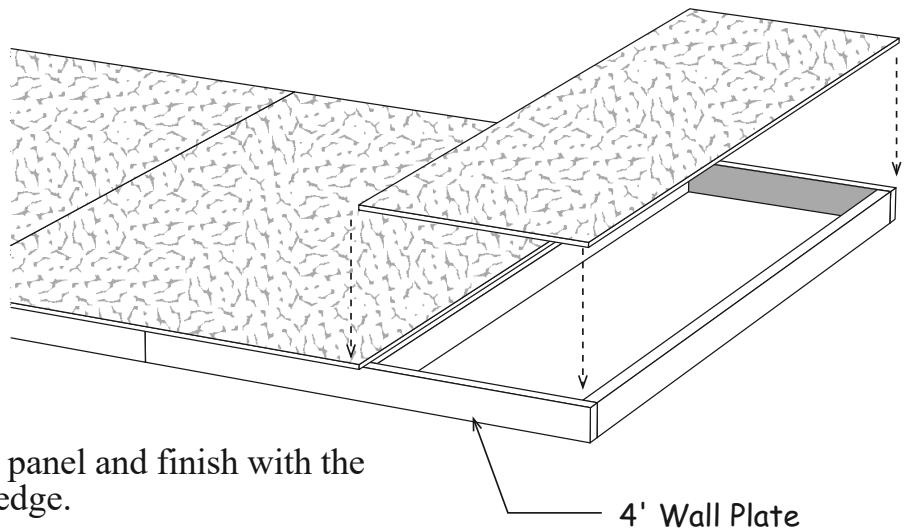
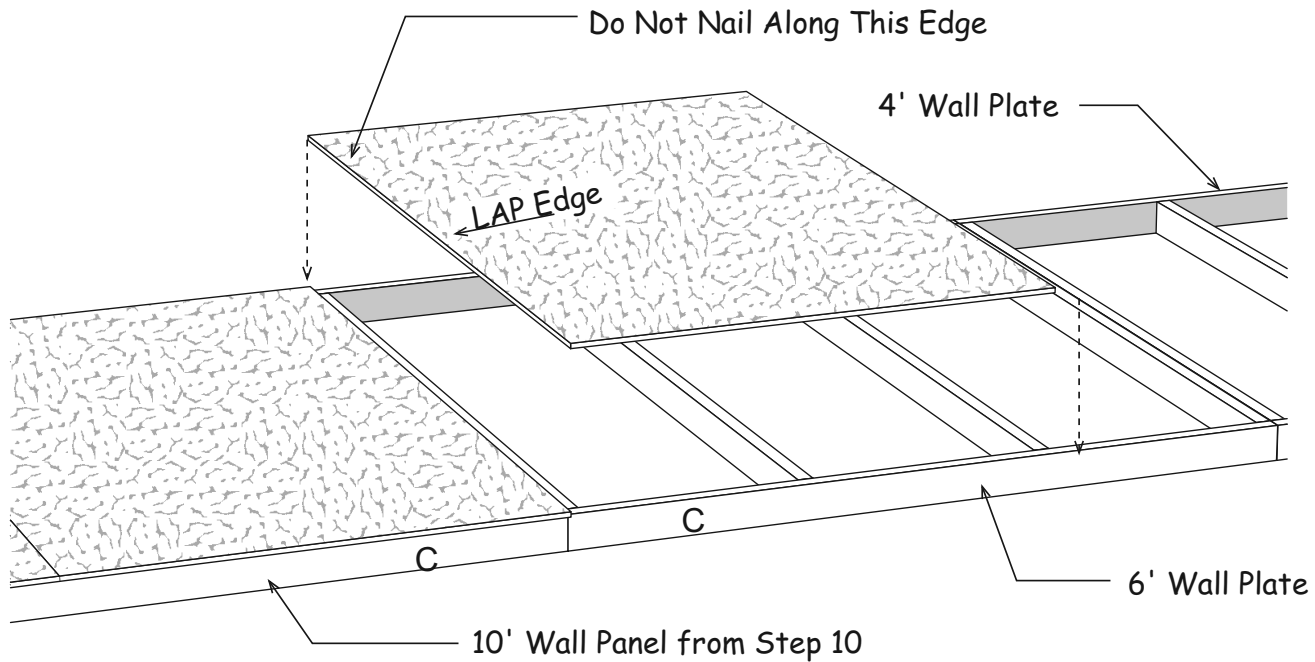
 Cut the siding flush with the bottom plate if installing the building on a cement slab.



7. Select (1) one of the 10' wall frames and repeat to apply siding to another side wall 10' frame.

Step 8B Assemble Side Walls Continued

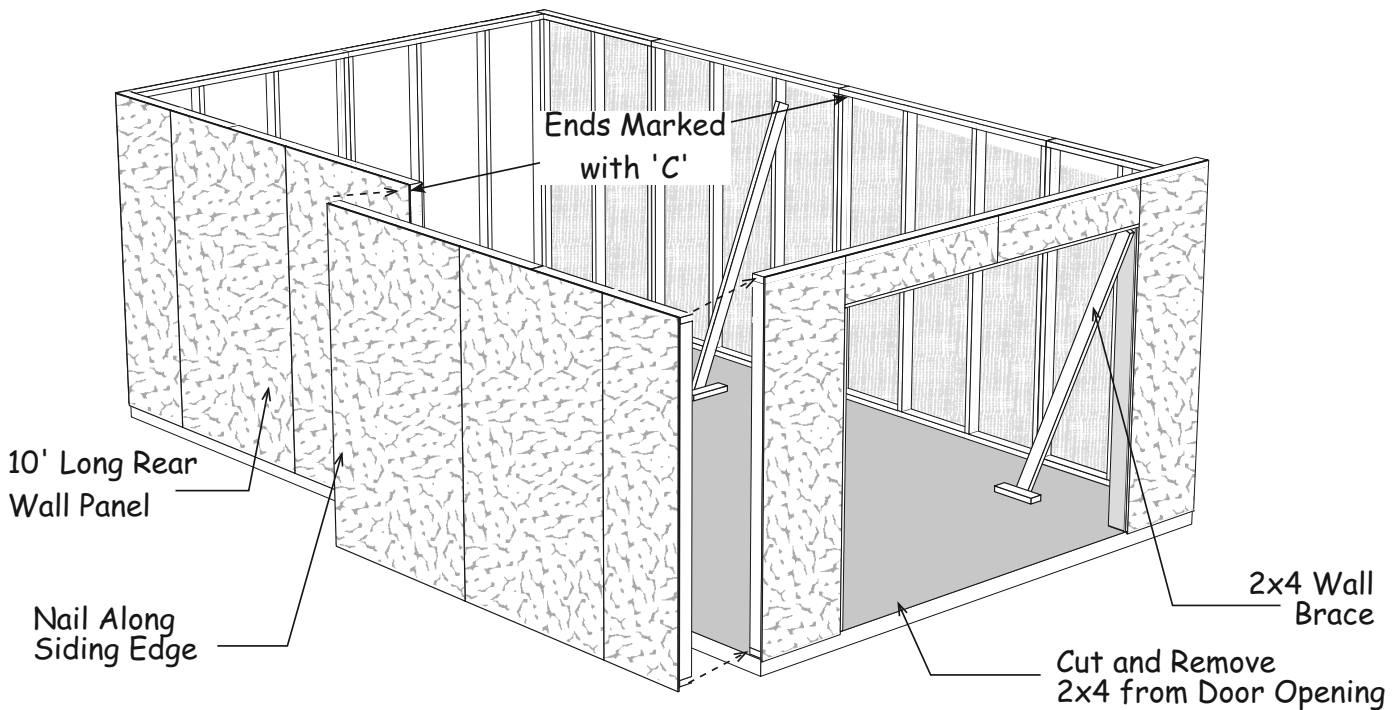
8. Select one of the 10' side walls with siding. Butt a 10' wall frame against this wall with the 'C' marks together. **Do Not** nail these frames together so they can be separated later.
9. Square the wall frame. Install a full width siding panel using 6d galvanized box nails spaced 8" apart. **Do Not** nail along the long edge that overlaps the sided wall frame. You can nail this edge after the wall panels are installed. This will enable you to separate the wall panels making them easier to handle.



10. Install another full width siding panel and finish with the 2' wide siding panel with LAP edge.
11. Repeat to apply siding to the other 10' wall frame.

Step 9 Set Walls

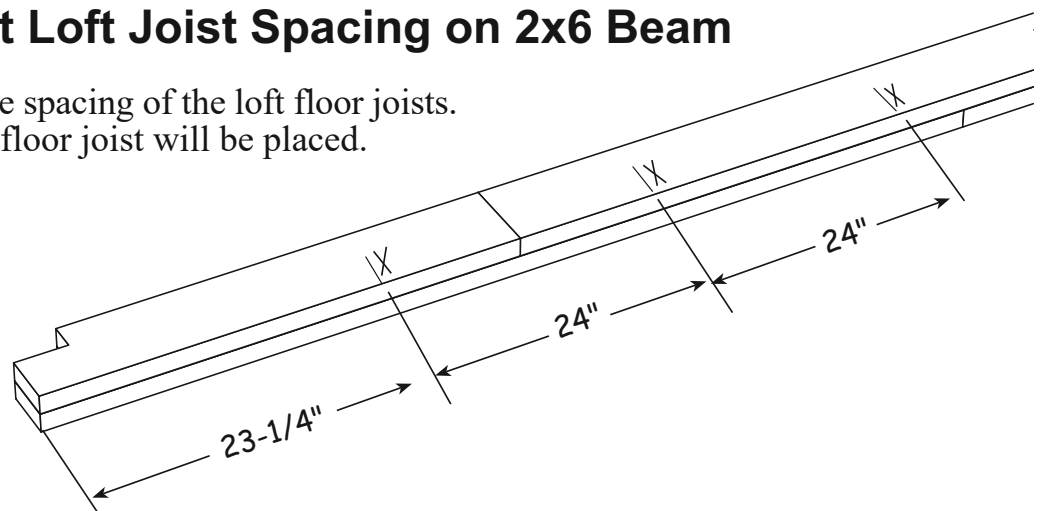
1. Set the back wall panel between the side walls. Secure wall panels together at the corners. Use (4) four 10d coated nails per corner. Nail siding on back wall to side walls.
2. Install the next (2) two side walls with the 'C' mark towards back of building. Nail with 10d sinkers. Nail siding edge where panels overlap.
3. Install the front wall frame between the side walls. Nail siding on front wall to side walls.
4. Temporarily install (2) two 72" long 2x4s as bracing. One on a side wall and one in door opening.



6. Cut and remove the bottom 2x4 in the door opening. Secure wall panels to the floor. Use 10d sinkers or, if erecting on a concrete slab, concrete anchor (not included) spaced 24" apart.

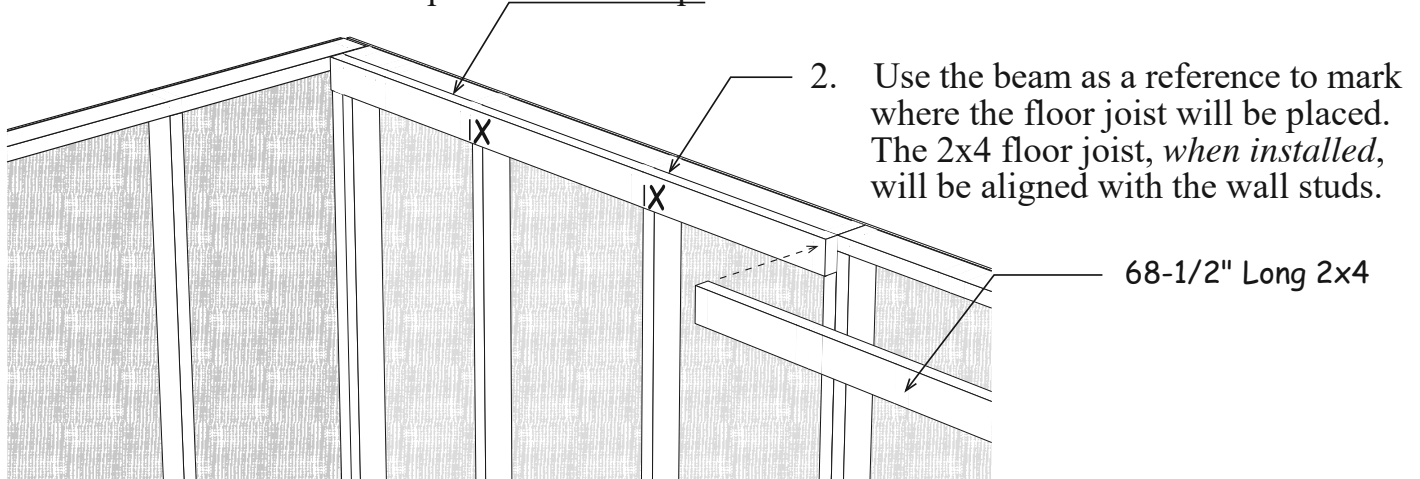
Step 10 Layout Loft Joist Spacing on 2x6 Beam

Layout both beams for the spacing of the loft floor joists. The 'X' marks where the floor joist will be placed.



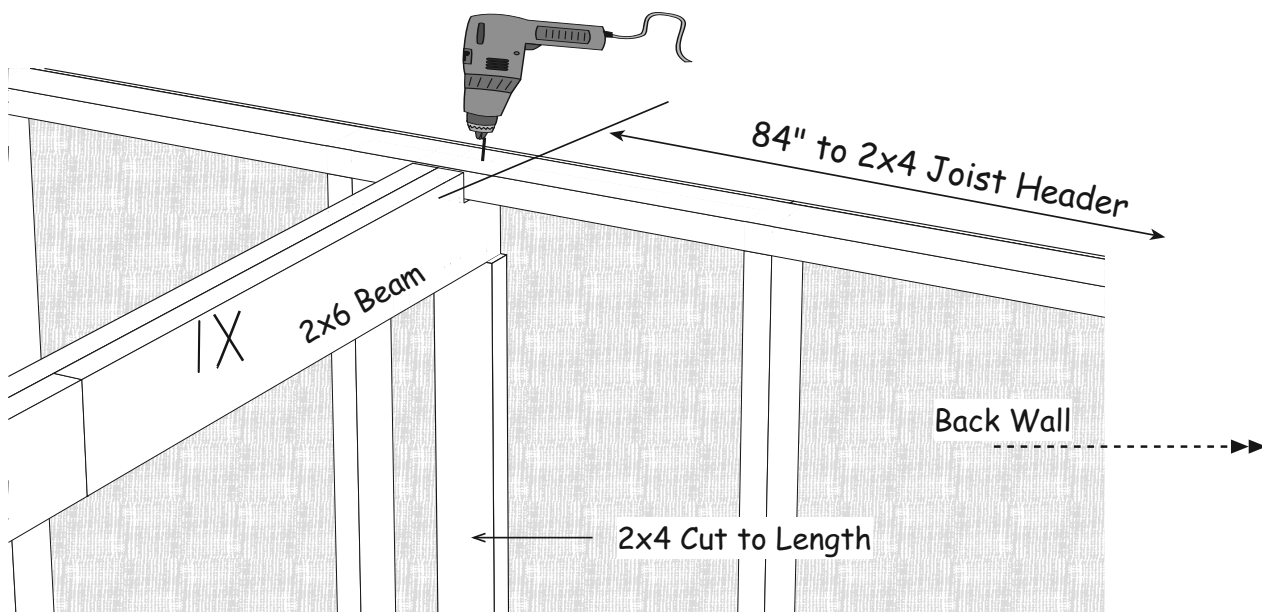
Step 14 Install Loft Joist Headers & 2x6 Loft Beams

1. Install (2) two 68-1/2" long 2x4s on the back wall to support the floor joist. Install the 2x4s flush with the top of the 2x4 wall plate. Secure to wall studs with 10d sinkers.



3. Repeat to install joist header support boards on the front wall.
4. Install the rear 2x6 beam, 84" from the 2x4 joist header boards, with the 'X' marks on the beam facing the back wall. You can use a 2x4-7' board as a gauge to properly space the beam. Refer to **Step 15** to see how the loft floor joist will be installed.

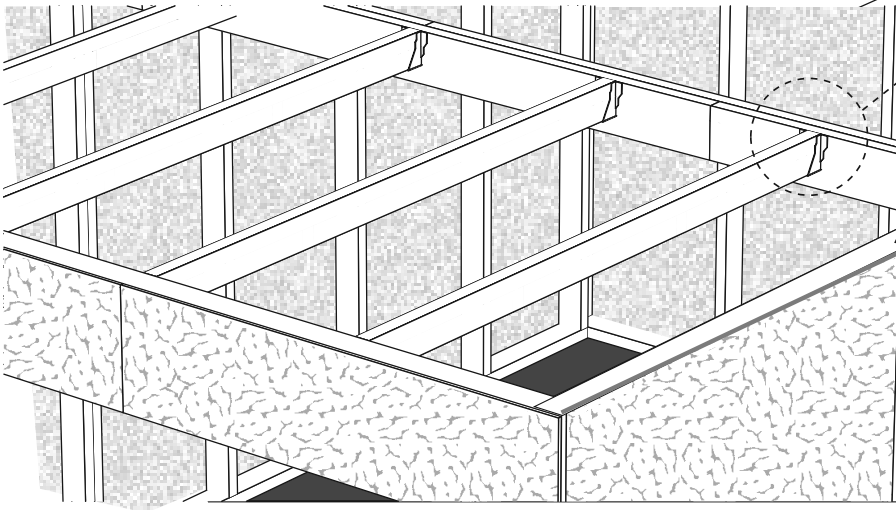
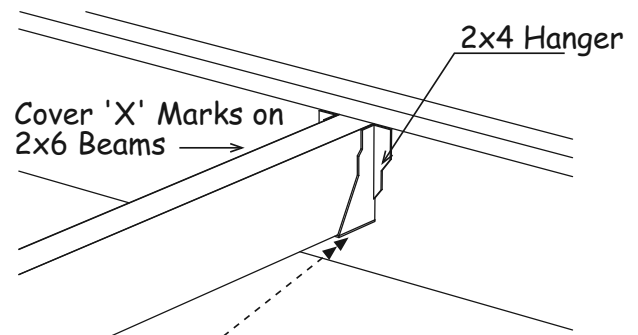
Place the notch under the top plate and support the beam by cutting a pre-cut wall stud and placing under the beam. Further secure the beam with a 3" wood screw through the top of the wall plate and toenail to the bottom plate and beam with 10d sinkers.



5. Repeat to Install the other beam with the 'X' marks on the beam facing the front wall. When the front beam is installed there will be 56" between the beams

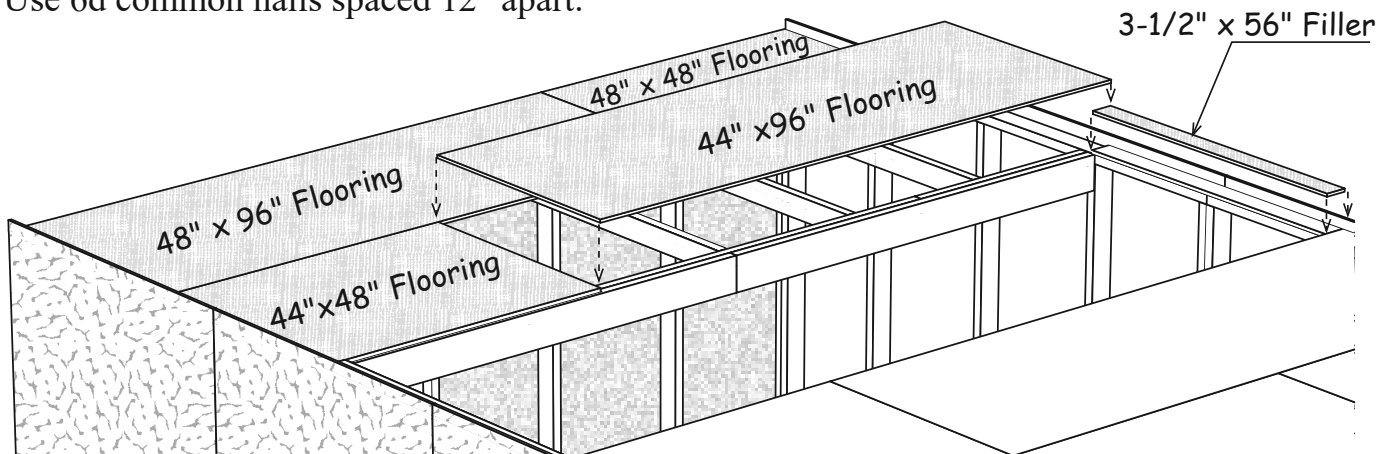
Step 15 Install Loft Floor Joists

Install (5) five 84" long 2x4s between the back wall 2x4 joist headers and rear 2x6 header. Use 2x4 hangers with 6d common nails. Repeat for front loft area.



Step 16 Install Loft Flooring

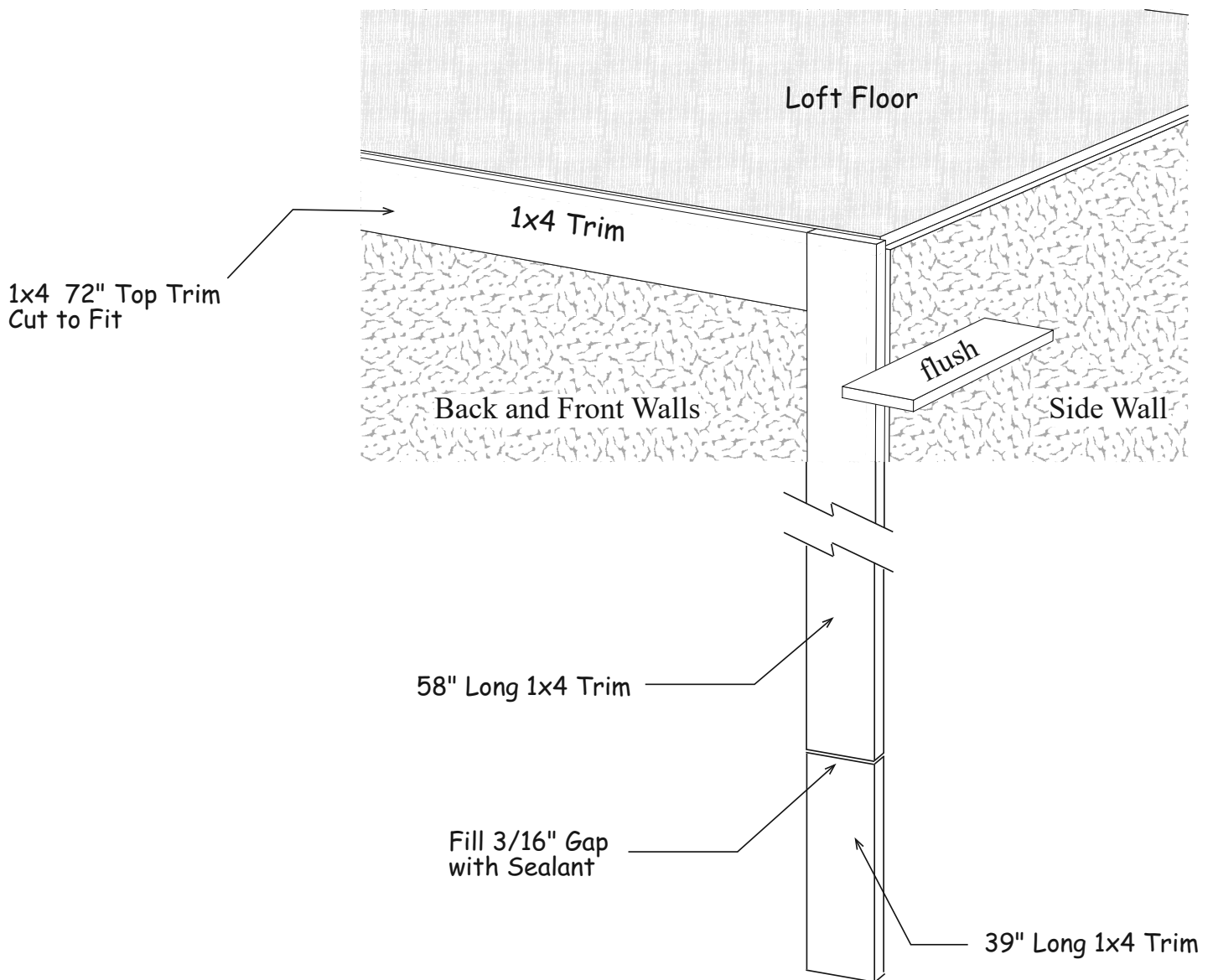
1. Cut a 4x8 sheet of 7/16" OSB in half to get (2) two 48"x48" pieces. Cut (1) one of these to a width of 44". Cut a 4x8 OSB sheet to a width of 44". Install at rear of building as shown below. Use 6d common nails spaced 12" apart.




2. Repeat to install loft flooring at the front of the building.
3. Cut (2) two 3-1/2" x 56" OSB floor fillers to fit if necessary and install on top of side wall plates between the loft flooring. Use 6d common nails.

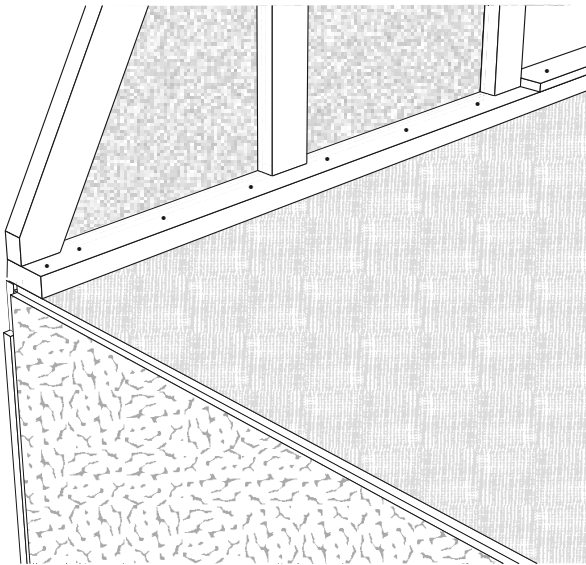
Step 17 Install Wall Trim

1. Install (2) two 1x4-58" corner trim on the back wall, flush with the siding on the side wall and flush with the top of the loft flooring. Use a double row of 6d galv. nails spaced 12" apart.
2. Install (2) two 1x4-72" trim boards across the top of the back wall. Cut second one to fit. Install the 1x4 boards flush with the top of the loft flooring. *See diagram below.*
3. On the bottom edge of the 58" trim board apply paintable sealant (not included). Leaving a $\frac{3}{16}$ " gap between boards install a 1x4-39" trim board to bottom of 58" board. Insure there is sufficient sealant to fill gap. Bottom edge of 39" board should be flush with bottom of siding. Trim if necessary. Nail (2) two 6d galv. nails $\frac{3}{8}$ " from edge and ends on each board into siding and 2x4 framing.
4. Repeat steps for front wall trim.



Step 18 Set Rear and Front Gables

 **IMPORTANT:** Do Not set gables until all the siding and trim are installed on walls.

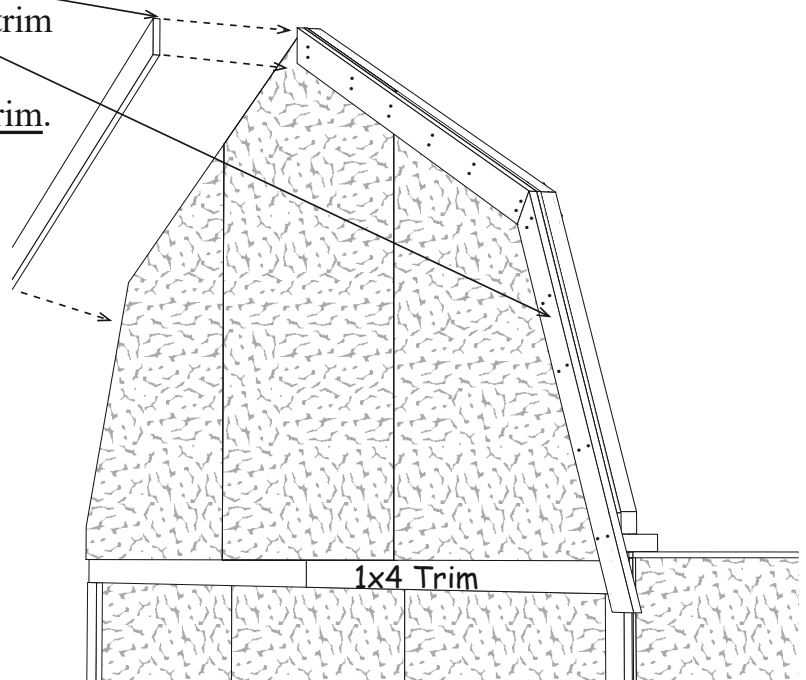
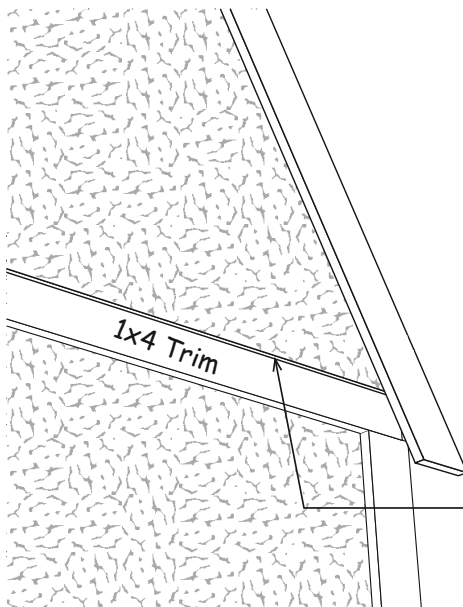


Caution: The gable ends are heavy and awkward. You'll need helpers to lift and set gables in place.

1. Install the gable without loft doors on the rear wall. The siding on the gable must extend over the 1x4 trim board, not behind it. *See detail 'D' below.* Nail bottom gable to loft flooring. Use 10d sinker nails spaced evenly in stud openings.

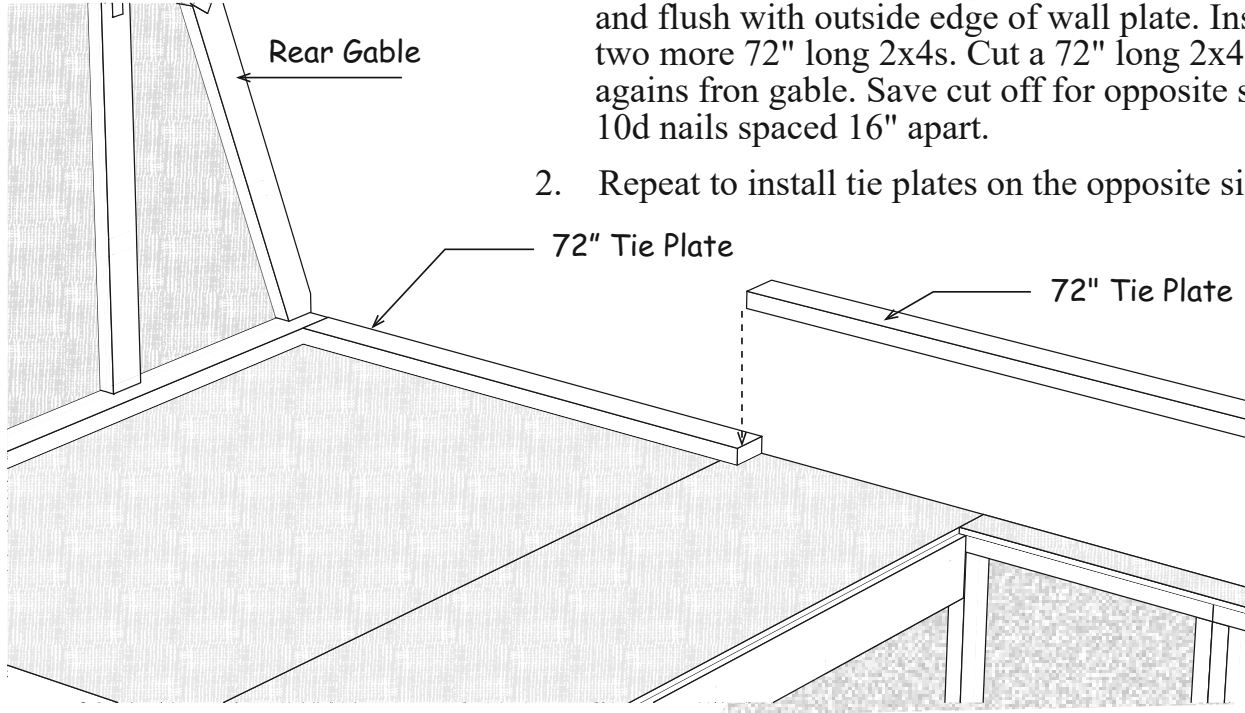
2. Install (2) two 61" long 1x4 gable trim flush with the top edge of the gable. Butt the ends with blue marks together. Install trim with 6d galvanized nails spaced 12" apart.
3. Install (2) two 42-1/2" long 1x4 gable trim flush with the side edge of the gable.
4. Install the front gable. Do Not apply trim. Trim and overhang are installed later.

DETAIL 'D'



Gable Siding **MUST** Lip over Trim on Wall. Nail to trim with 6d galv. nails

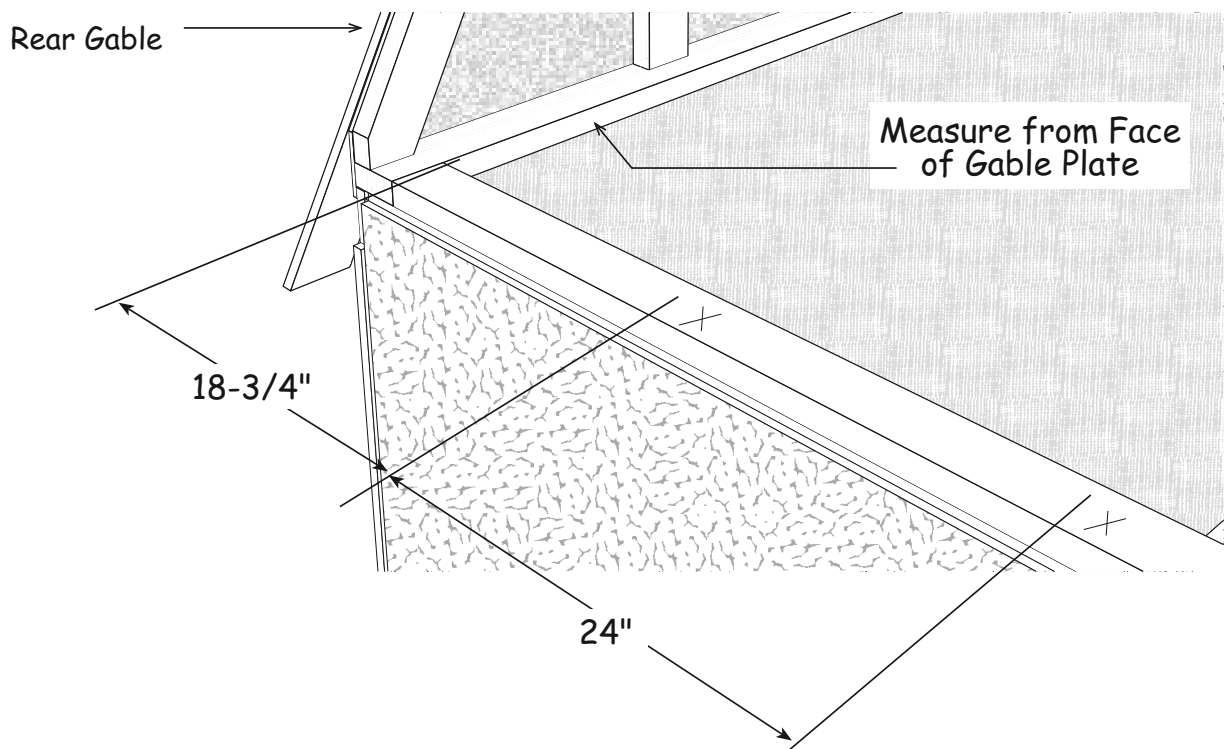
Step 19 Install 2x4 Truss Plates



1. Install a 72" long 2x4 tie plate against the rear gable and flush with outside edge of wall plate. Install (2) two more 72" long 2x4s. Cut a 72" long 2x4 to fit against front gable. Save cut off for opposite side. Use 10d nails spaced 16" apart.
2. Repeat to install tie plates on the opposite side.

3. Layout the truss spacing. Measure from the inside face of the 2x4 gable plate to mark the location of the first truss. The last truss space will be more than 24".

Important: When marking the opposite wall, place the 'X' mark on the same side of the line so your trusses are parallel when they are installed.



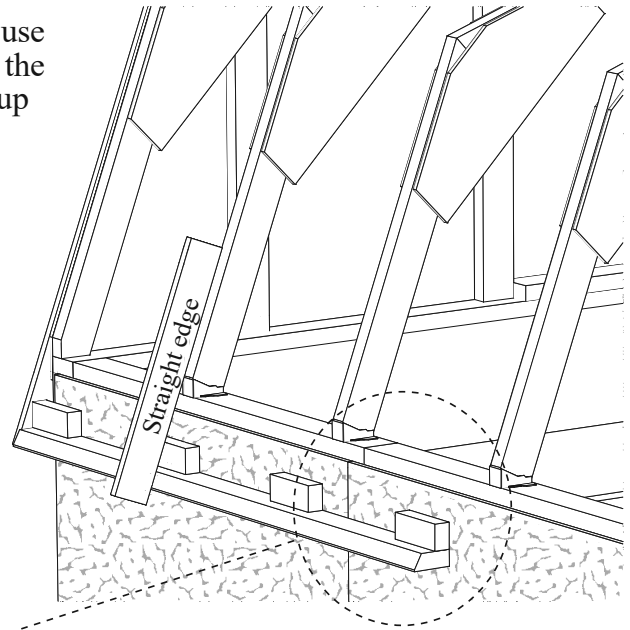
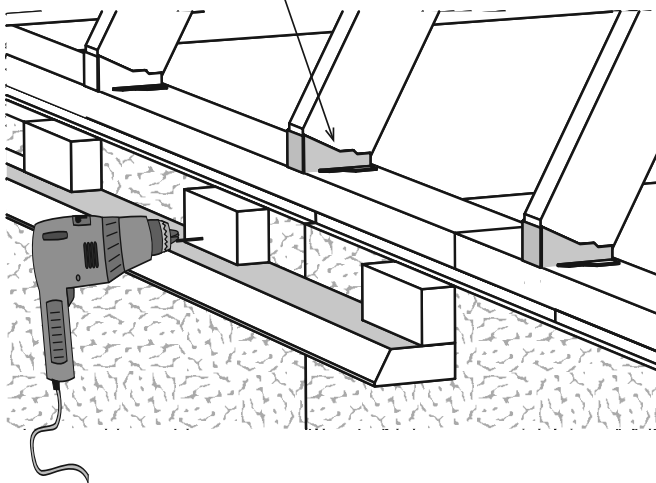
Step 20 Install Trusses & Soffit Boards



Before installing the soffit boards to the side wall, use a straight edge to make sure the trusses align with the bevel cut on the soffit board. Adjust soffit board up or down if necessary.

1. Place trusses over the 'X' marks and secure trusses to 2x4 tie plate using 2x4 hangers and 10d sinker nails.

Metal Truss Hanger



2. Locate (3) three 65-1/4" long soffit boards. Butt the first board against the rear gable trim. Secure board to the top wall plate with 3" long screws. Install two more boards. Cut to fit and install a 48" soffit board to butt against the 2x3 boards on the front gable.
3. Repeat to install on the opposite side wall.

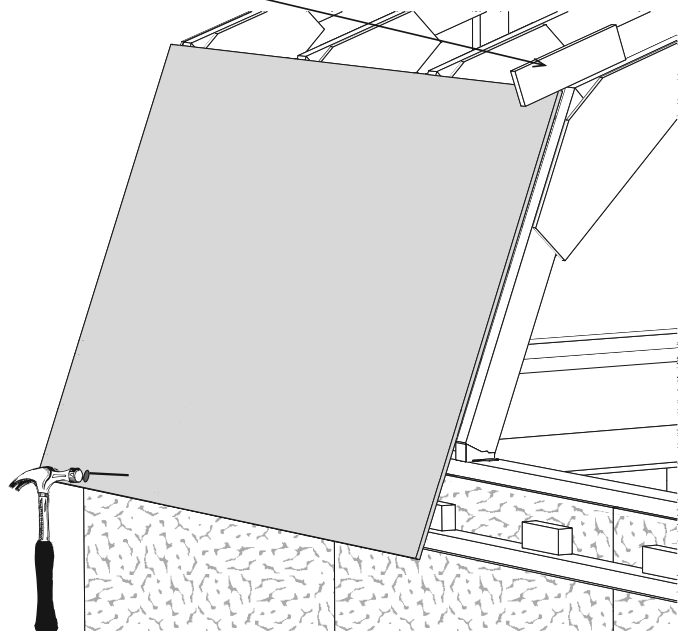
Step 21A Install Roof Sheathing

Straight Edge

1. Install a 42" x 72" OSB roof panel flush with the face of the rear gable trim. Use a straight edge to align the top of the sheathing with the top of the truss. Continue adding sheathing following the layout on the next page. *OSB will extend past front gable.* Use 6d common nails, spaced 8" apart.

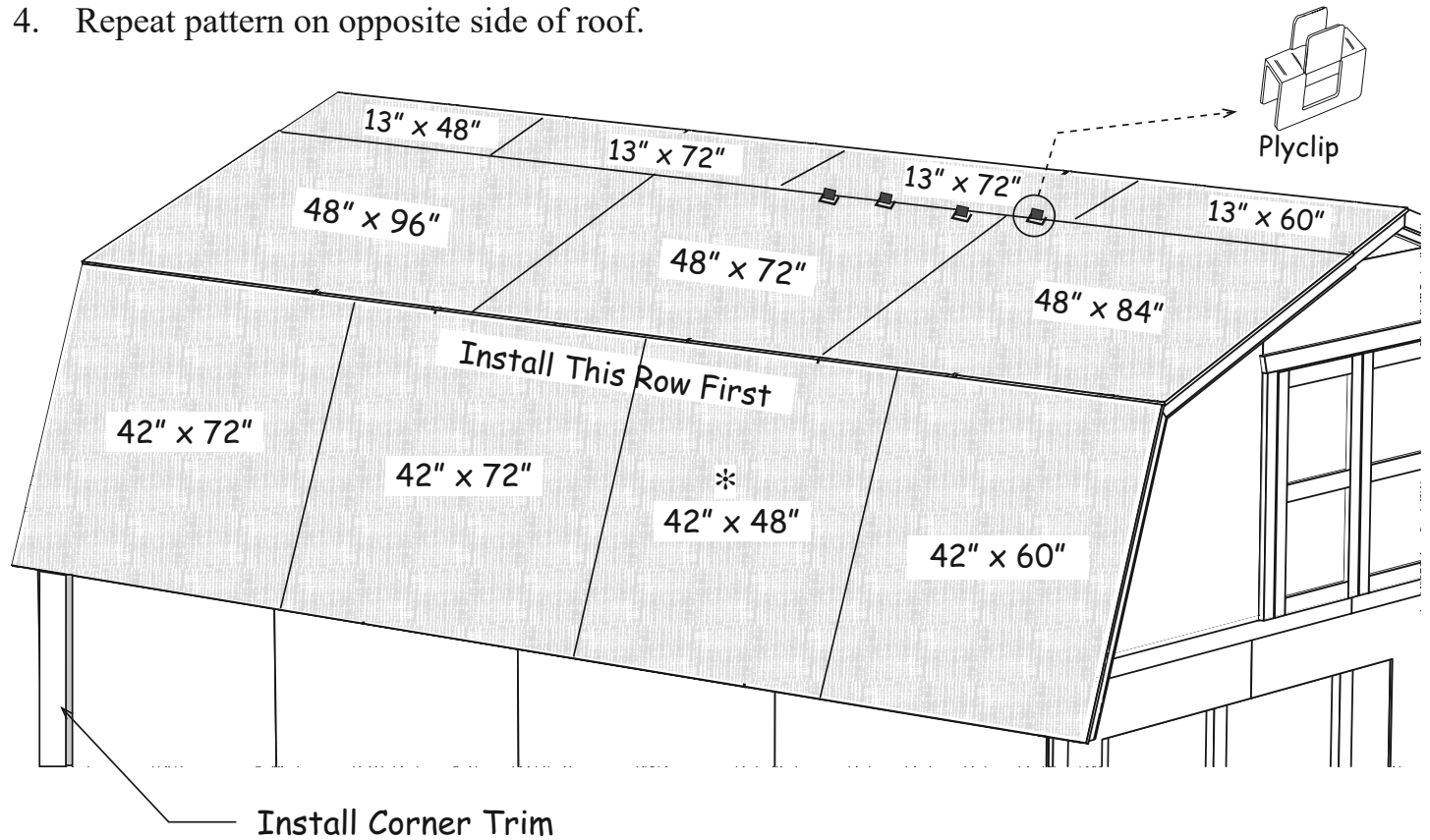


To prevent the nails from protruding through the bottom of the soffit board, nail at an angle when nailing roof sheathing to the soffit boards.



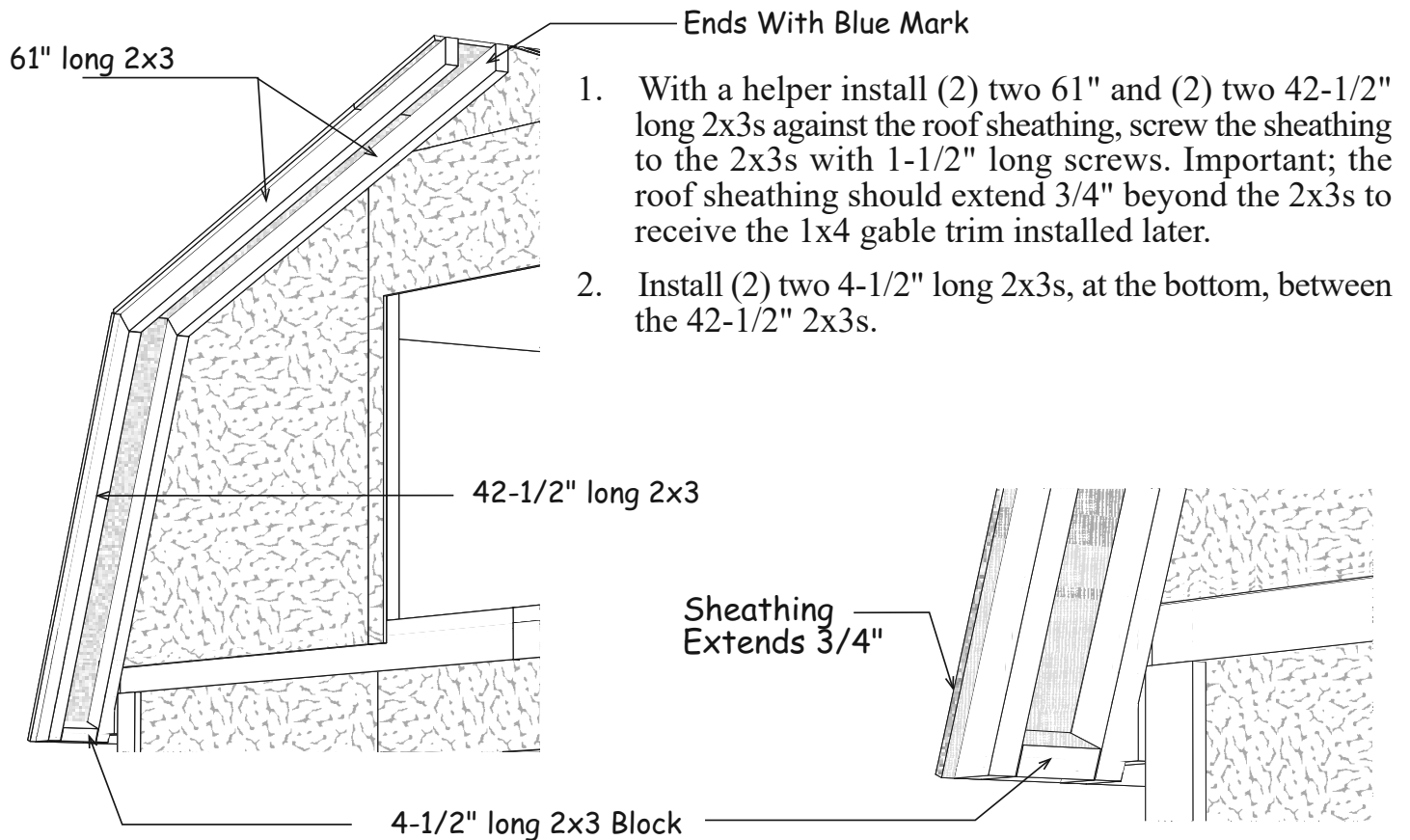
Step 21B Install Roof Sheathing Continued

- From (1) one 4x8 sheet of OSB cut (2) two 42"x48" sheets. Install in location indicated by an '*'.
- Before installing the last row of 13" OSB sheets insert (2) two plyclips onto roof sheathing between every truss. The top row of roof sheathing will be about 1" below the ridge to allow for ridge venting if installed.
- Repeat pattern on opposite side of roof.



- Referring to Step 17 Install Wall Trim locate (4) four 58" long and (4) four 39" long 1x4 trim boards. Install these boards on the side walls with the top butted to the soffit boards at the top and the edge flush with the face of the back and front wall trim.

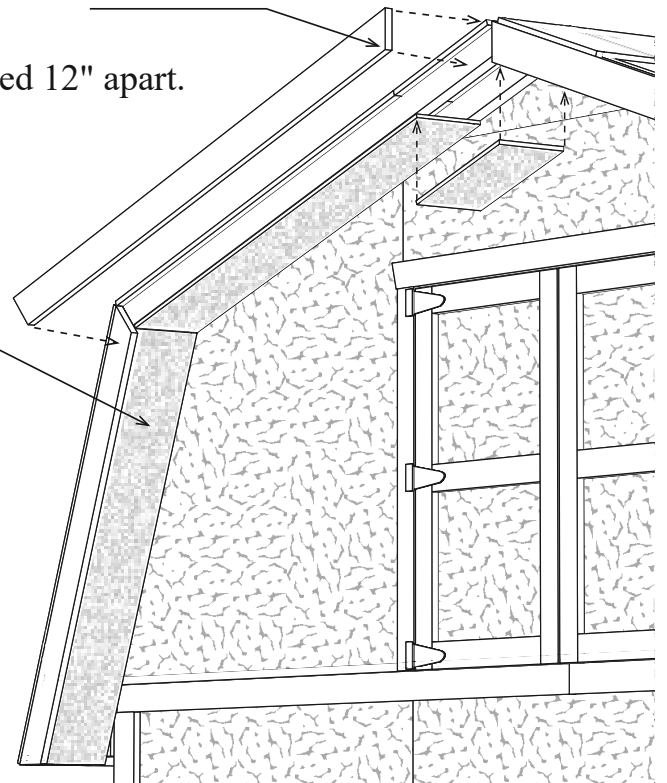
Step 22 Install Front Gable Overhang



3. Install (2) two 1x4-64" gable trim, *with the ends marked with a blue line*, together at the ridge.

Install trim boards with 6d galvanized box nails spaced 12" apart.

4. Install (2) two 43-1/2" long 1x4 trim boards on the sides.
5. Install 7-1/2" wide soffit panels under the overhang. Use 6d galv. nails.
6. Install 35-3/4" long 1x3 trim boards flush with each side of the loft door opening. Install a 50" long trim board across the top. *If door opening is cut out the siding will extend 3/4" below the top trim board.*
7. Install loft doors using 4" hinges and 1-1/4" long hinge screws. Install barrel bolt to the back of the right door. Drill a hole for the round shaft to drop into.



Step 23 Install Door Jamb & Trim

 If you ordered the optional floor install the galvanized door sill on floor across door opening. Use pan head screws.

1. Locate (2) two 1x6-7' boards. Cut to fit and install each board as door jambs on the sides of the door opening flush with the face of the siding. Jamb will extend into interior of wall. *See Detail Below.*

1x4 Door Trim

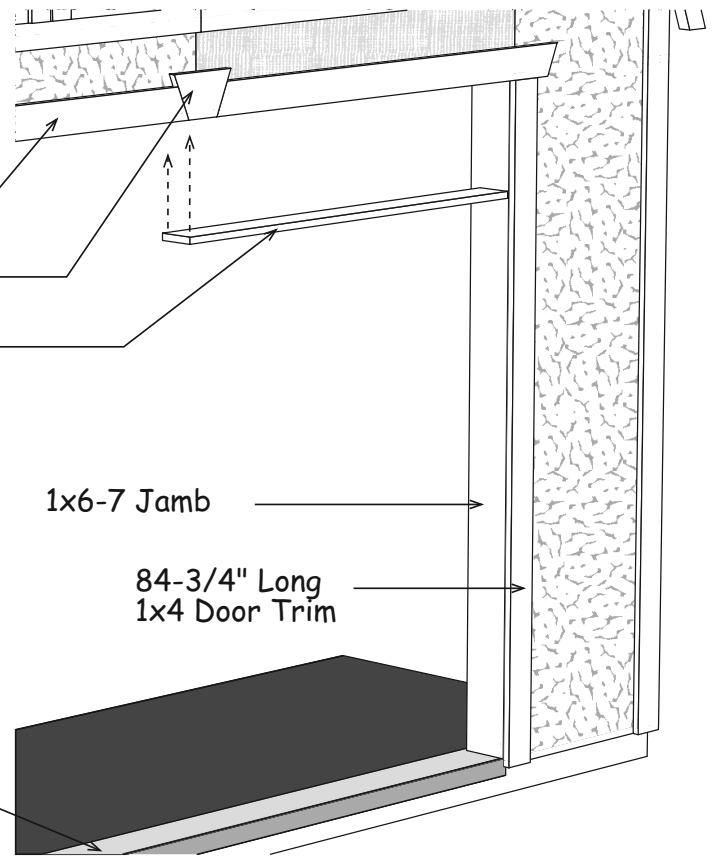
Keystone

2. Install 1x6-4' boards across the top of the opening flush with face of siding. Jamb will extend into interior of wall. Cut one board to fit.

3. Locate (2) two 84-3/4" long 1x4 trim boards. Install each board on each side of the door opening flush with face of 1x6 jamb and top of door opening. *See Detail Below.*

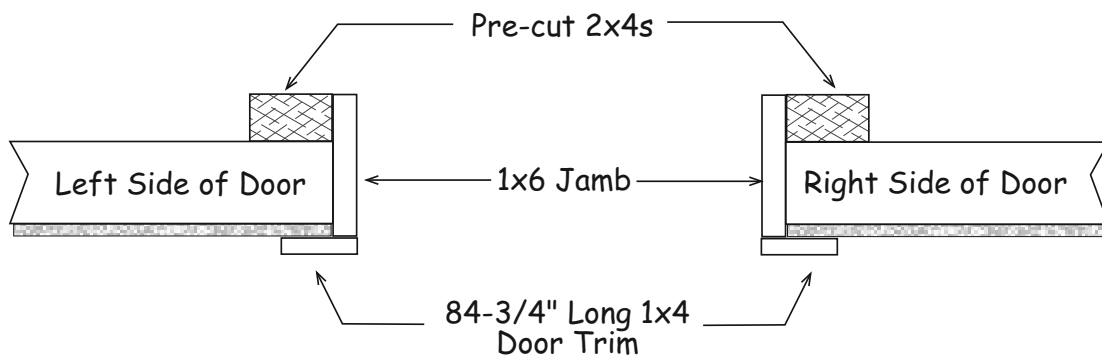
4. Install (2) trim boards and a keystone across the top of the door opening.

Optional Galv. Door Sill



5. Butt a pre-cut 2x4 to back of the 1x6 jamb inside the building. Cut length to be flush with top of jamb above door opening. Secure to wall framing with 10d sinkers. Repeat on other side of door opening. *See Detail Below.*

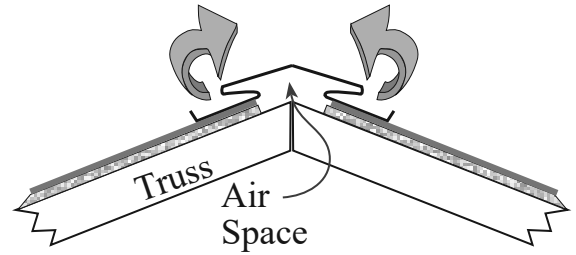
6. Install (2) two 2x4s on top of 1x6 jamb across door opening and top of previously install pre-cut 2x4s. Cut one board to fit.



Install Roofing — Not Supplied in Kit

Install shingles according per the instructions on the wrapper. Additional information and tutorials can be found on various online sources.

Building Tip: Install ridge vent (purchased separately) in lieu of shingle caps. Ridge vent provides ideal ventilation, preventing heat and moisture build-up from damaging your building or its contents.



Optional ridge vent provides ideal ventilation.

Roof Material: 10 bundle shingles, 8 pcs. 10' metal roof edge, optional felt paper 1 roll

Material Supplied by Local Supplier Included with Purchase

14	pcs.	LP Primed Exterior Siding
9	pcs.	7/16" OSB Sheathing
42	pcs.	Pre-cut Wall Studs

2	pcs.	2x4 - 12' Boards
2	pcs.	2x10 - 10' Boards

Hardware List

5 lbs	10d Sinkers
5 lbs	6d Galvanized
10 lbs	6d Common
24	1" Drywall Screws
36	1-5/8" Drywall Screws
36	1-1/4" Hinge Screws
64	3" Deck Screws
50	2-1/2" Deck Screws

6	4" Door Hinge
2	4" Barrel Bolt
40	7/16" Plyclips
38	Joist Hangers

4' Extension Kit Material List

Qty 2x4 Framing

4	Truss Rafters	61"
4	Wall Plates	48"
4	Truss Rafters	34-3/4"

Qty OSB

8	Gussets	9"x24"
4	Gussets	9"x32"

Qty Pre-Built Components

2	Soffit Boards	3-1/2"x48"
---	---------------	------------

Material List Large Pallet

Qty 2x4 Framing Size

10	Tie Plates	84"
18	Wall Plates	72"
8	Wall Plates & Floor Joist Ledgers	68-1/2"
18	Truss Rafter	61"
2	Gable Studs	50"
4	Wall & Tie Plates	48"
4	Gable Stud	40-3/4"
18	Truss Rafters	34-3/4"
4	Gable Studs	30-3/4"
10	Blocks for Truss Jig	8"-12"

Qty 2x6 Framing Size

6	Loft Beam (4 with notch)	72"
4	Loft Beam with notch	36"

Qty 2x3 Framing Size

4	Top Gable Overhang	61"
4	Bottom Gable Overhang	42-1/2"
2	Gable Blocks	4-1/2"

Qty 1x6 Trim Size

2	Door Jamb	84"
2	Door Jamb	48"
1	9" Wide Keystone	

Qty 1x4 Trim Size

2	Door Trim	84-3/4"
8	Door Trim with Angle Cut	58"
2	Door Trim with Angle Cut	48-3/4"
8	Door Trim with Angle Cut	39"
4	Lower Wall Trim	72"
4	Gable Trim	61"
4	Gable Trim	42-1/2"

Qty 1x3 Trim Size

1	Loft Door Trim	50"
2	Loft Door Trim	35-3/4"

Qty OSB Size

2	Roof Sheathing	48"x84"
2	Roof Sheathing	48"x72"
4	Roof Sheathing	42"x72"
2	Roof Sheathing	42"x60"
4	Roof Sheathing	13"x72"
2	Roof Sheathing	13"x60"
2	Roof Sheathing	13"x48"
2	Door Header Fillers	9"x48"
14	Gussets	9"x32"
32	Gussets	9"x24"
2	Gussets	9"x12"
2	Loft Floor Fillers	3-1/2"x56"
2	Door Header Fillers	3-1/2"x48"
6	Gussets	3-1/2"x5"

Qty Siding Size

4	Gable Panels	48"x55-1/4"
4	Gable Panels	24"x37"
2	Header Siding	10-3/4"x48"
4	Gable Soffit	7-1/2"x48"
2	Gable Soffit	7-1/2"x24"
2	Door Jamb	5-1/2"x84"
2	Door Jamb	5-1/2"x48"

Qty Pre-Built Components

6	Soffit Boards	3-1/2"x65-1/4"
2	Loft Door Frames	