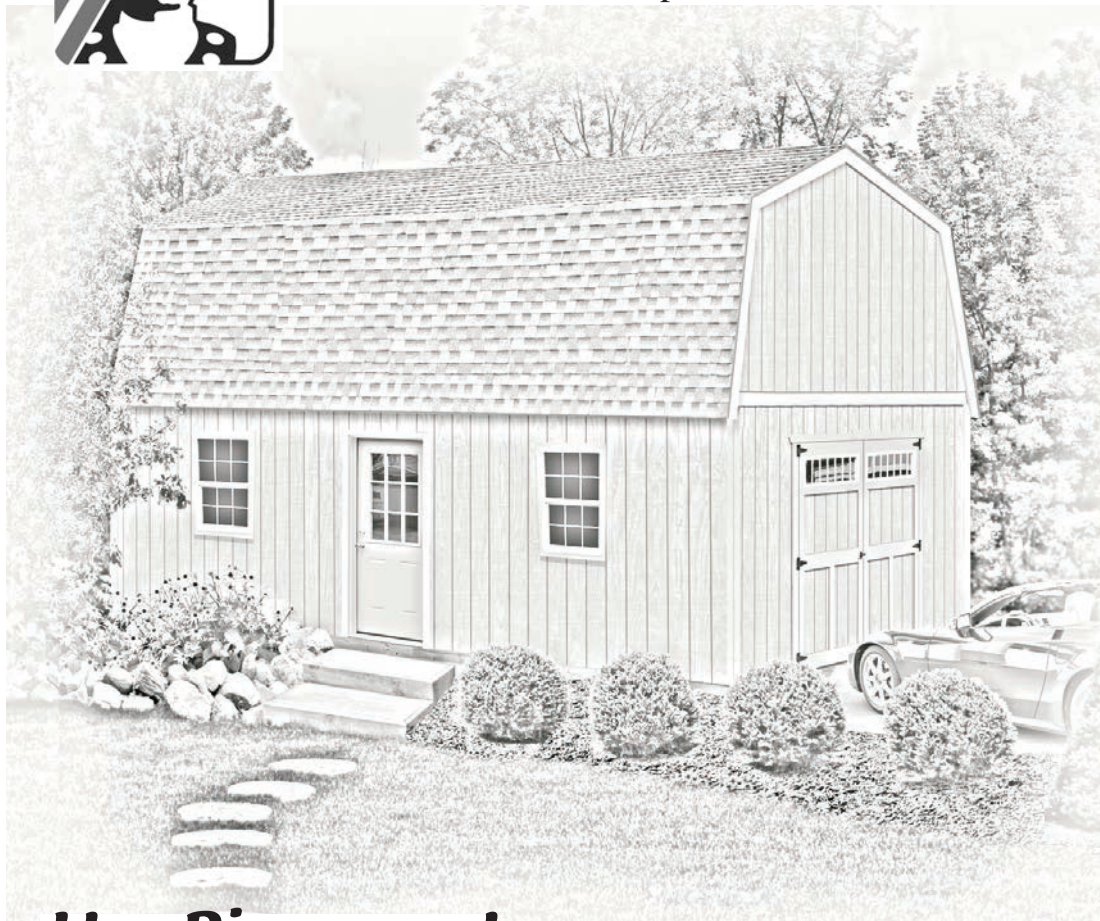




# Sentry Buildings

Assembly Book

Revised April 15, 2022



***the Pinewood***

**14'x28' Building**

**Manufactured by RBS Holdings, LLC**

205 Arlington Drive

Greenville, PA 16125

This manual is copyrighted. Under the copyright laws, this manual may not be copied, in whole or in part, without consent from

RBS Holdings, LLC

© Copyright 2022

## IMPORTANT INFORMATION ABOUT YOUR KIT

**Building Permits:** Check with your local HOA or building code office for any requirements, restrictions or permits necessary for construction.

**Foundation:** By owner. Refer to next page for foundation suggestions and size.

**What's Included:** Our package includes pre-cut materials for the 2nd floor roof gables, roof trusses and gable trim. Two (2) 24" x 36" single hung windows with screen and pre-built barn doors with transom windows and hardware are included. This material is delivered, *curb side in covered van*, on a 4'x7' pallet. See back page for material list. The nails and hardware necessary to construct the lower walls are packed in the top of the pallet. The other materials on the pallet will not be used until the first floor walls and loft floor are completed.

Framing lumber for the first floor walls and loft floor, exterior siding, loft flooring, roof sheathing and a 32" pre-hung six panel steel door with lock will be delivered by a local supplier. This will be a separate delivery and you will be notified before that delivery takes place. Material is listed on the back pages. Someone will need to sign for both deliveries. Check quantities and report any storage within 5 days.

**Owner Supplied:** Roof shingles, metal roof edge, felt and ventilation accessories. See back page for quantity needed. Paint for siding and trim. Overhead garage door, lumber needed to frame rough openings for windows and or doors not included in our kit.

**Assembly Help:** Monday thru Friday      800-245-1577      8:00 to 5:00 ET  
Weekend - after hours      724-866-4357  
email to: [questions@barnkits.com](mailto:questions@barnkits.com)      (normal business hours)

**Care of product prior to assembly:** Do not expose lumber and sheet goods to inclement weather. Assembly should begin promptly to prevent the twisting of lumber. Notify our company within 30 days of any damage or missing items for full replacement.

**Building Tips:** Follow the assembly Steps in sequence. Skipping steps will result in components not fitting properly. The nails, hardware and header material needed to assemble the lower walls and loft floor are packaged on the top of pallet 'A'. The other materials on the pallet will not be used until the first floor walls and loft floor are completed.



### Tools

### Required:

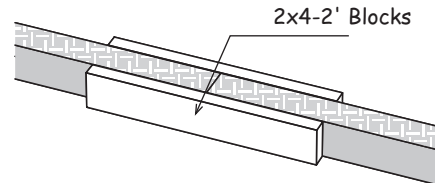
- |   |   |   |
|---|---|---|
| <input type="checkbox"/> Hand or Circular Saw   | <input type="checkbox"/> Level              | <input type="checkbox"/> Phillips Screwdriver |
| <input type="checkbox"/> Cordless Drill   | <input type="checkbox"/> Measuring Tape     | <input type="checkbox"/> Framing Square       |
| <input type="checkbox"/> Caulking Gun   | <input type="checkbox"/> 8' & 10' Ladder(s) | <input type="checkbox"/> Hammer               |
| <input type="checkbox"/> Safetyglasses: Always wear safety glasses when cutting or nailing! |   |   |
| <input type="checkbox"/> * Scaffolding  |   |   |

- \* You will need to rent (6) six sections of scaffolding to safely install the second floor material. Use safety harnesses when on the scaffolding. Consider hiring a professional roofer to install the shingles or metal roof. They have the knowledge and equipment to do the job properly.

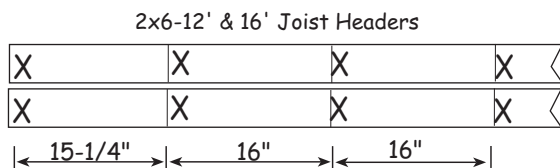
## Suggested Constructing Details for Heavy Duty Floor System

**Do Not** make the foundation larger than 14' x 28'. Check local building codes, the construction may have to change. Depending on your intended use a cement slab may be more appropriate.

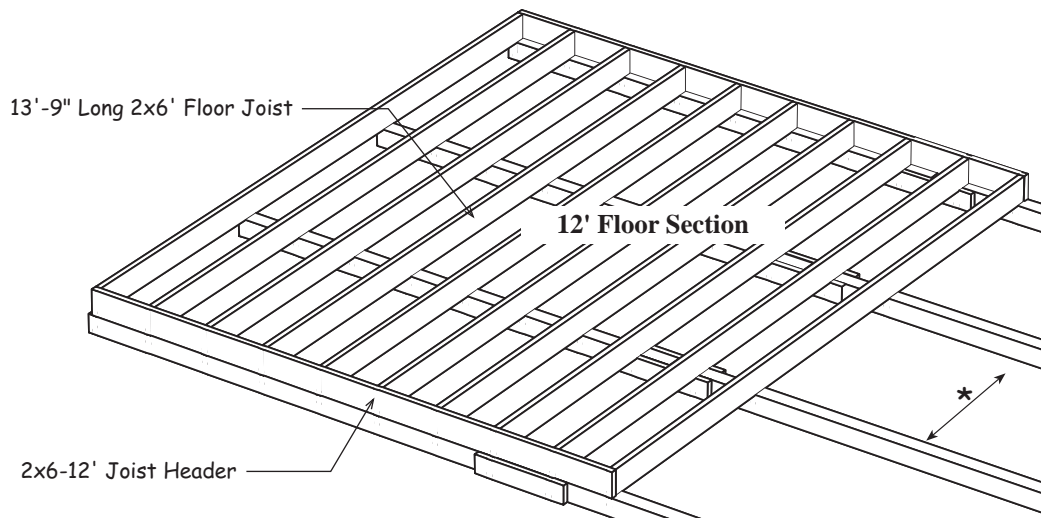
1. Cut (3) three 2x4-8' boards into 2' long blocks.
2. Butt (2) two 4x4-10' timbers and (1) one 4x4-8' timber together to make a 28' runner. Secure the 4x4s together with the 2' long 2x4 blocks and 16d galvanized nails.
3. Assemble (3) more 28' runners.



4. Cut (2) two 2x6-12' boards to 12' -0". Layout for 16" on center joist spacing. 'X' marks where floor joist will be placed.
5. Cut (2) two 2x6-16' boards to 16' -0". Layout for 16" on center joist spacing.



6. Cut (23) twenty three 2x6-16' floor joist to 13'-9". The cutoffs will be used for solid blocking. *Treated lumber may be thicker than 1-1/2". Take this into account when cutting the length of floor joists. Shorten joist measurements if necessary to obtain 14'-0" building width.*
7. Install (10) ten floor joists between the 12' joist headers. Secure with 16d galv. deck nails.

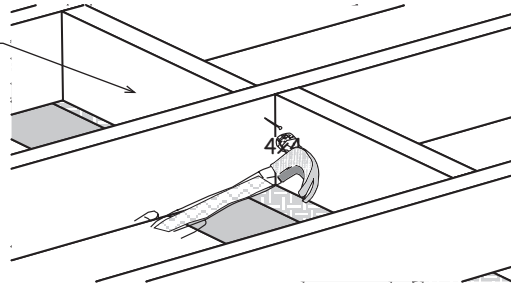


★ Space equality apart or if storing a car or heavy tractor, locate runners under the tires.

8. Use (2) two 16' joist headers and (13) thirteen joists to assemble a 16' x 14' floor section.
9. Install this floor section next to the 12' section' and nail the floor section together 16d galvanized nails.

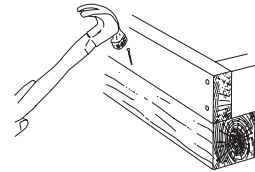
## Constructing Details for Floor System continued

Stagger Solid Blocking  
over Center Runners

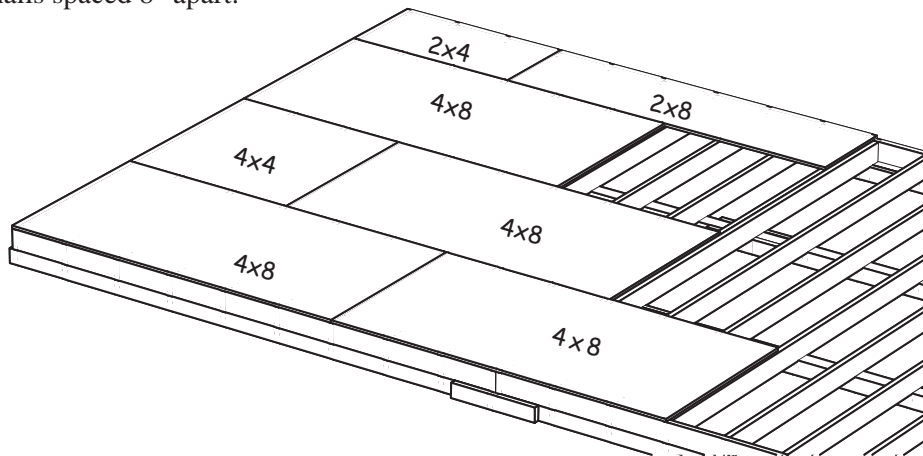


10. Cut leftover 2x6 boards to length and install between the floor joist over the center 4x4 runners. Stagger the 2x6 blocks to make it easier to nail the block between the joist.

11. It is important that the floor be level and square. Measure the floor diagonally (corner to corner). Then measure the opposite corners; these measurements will be the same (31' 3-5/8") when the floor is square. Toenail frame to the 4x4 runners.



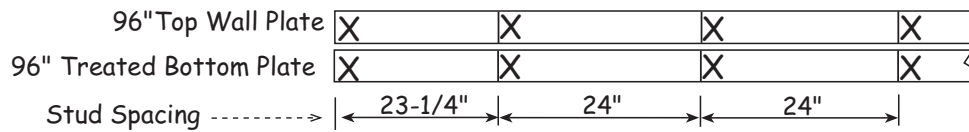
12. Cut 4x8 flooring, *where necessary*, and install the flooring with 8d galvanized nails spaced 8" apart.



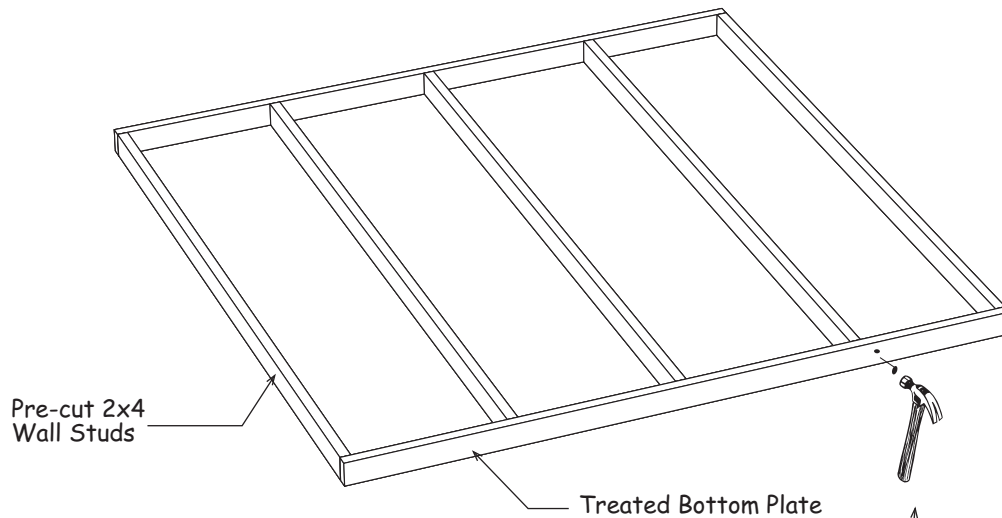
Material Breakdown for Wood Floor					
3	ea.	Treated Boards	2x4 - 8'	4	ea. 4x4 Treated Runners 8'
3	ea.	Treated Boards	2x6 - 12'	8	ea. 4x4 Treated Runners 10'
26	ea.	Treated Boards	2x6 - 16'	10	lb. Screw Floor Nails 8d
13	ea.	Plywood Sheathing	3/4"-4x8	10	lb. Galv Deck Nails 16d

## Step 1 Assemble (2) Two 8' Back Wall Frames

1. Cut, if necessary, (2) two 2x4-8' (one will be treated) to a length of 96". Position the boards together and indicate with 'X' marks where the wall studs will be located.



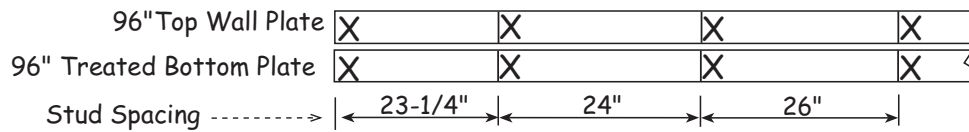
 ***The length of pre-cut wall studs will vary from 92-1/4" to 93" depending on your locality.***



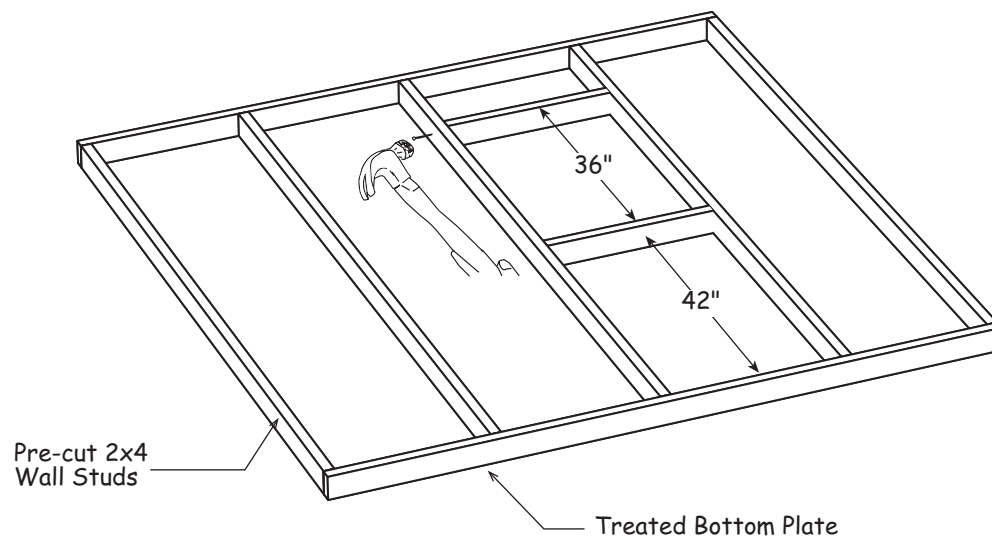
2. Install (5) five pre-cut wall studs between the top and bottom plates. Nail the treated bottom plate to each wall stud with (2) two 16d galvanized deck nails. Use (2) two 10d coated sinker nails per stud to secure the top plate.
3. Repeat to build another 96" long wall frames.
4. Set frames aside.

## Step 2 Assemble (2) Two 8' Frames w/ Window Openings

1. Cut, *if necessary*, (2) two 2x4-8' (one will be treated) to a length of 96". Position the boards together and indicate with 'X' marks where the wall studs will be located.



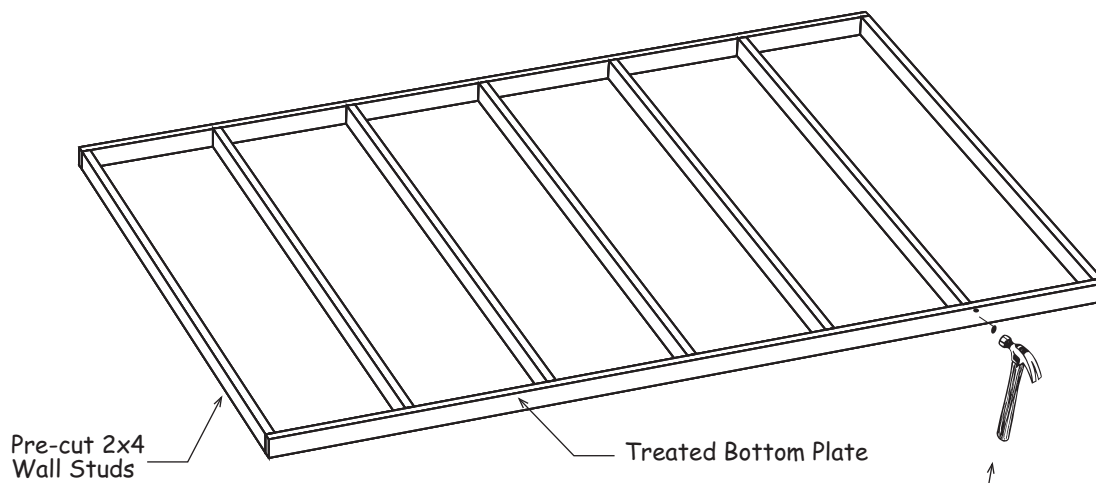
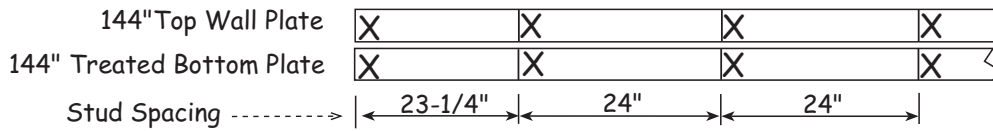
2. Install (5) five pre-cut wall studs between the top and bottom plates. Nail the treated bottom plate to each wall stud with (2) two 16d galvanized deck nails. Use (2) two 10d coated sinker nails per stud to secure the top plate.



3. Cut, from a pre-cut wall stud, (2) two 2x4 to a length of 24-1/2". Save the cutoffs.
4. Position the 24-1/2" boards at the heights indicated above. Nail these 2x4s between the wall studs to create a window opening. Use 10d sinkers.
5. Repeat to build another 96" long wall frame.
6. Set frames aside.

### Step 3 Assemble 12' Back Wall Frame

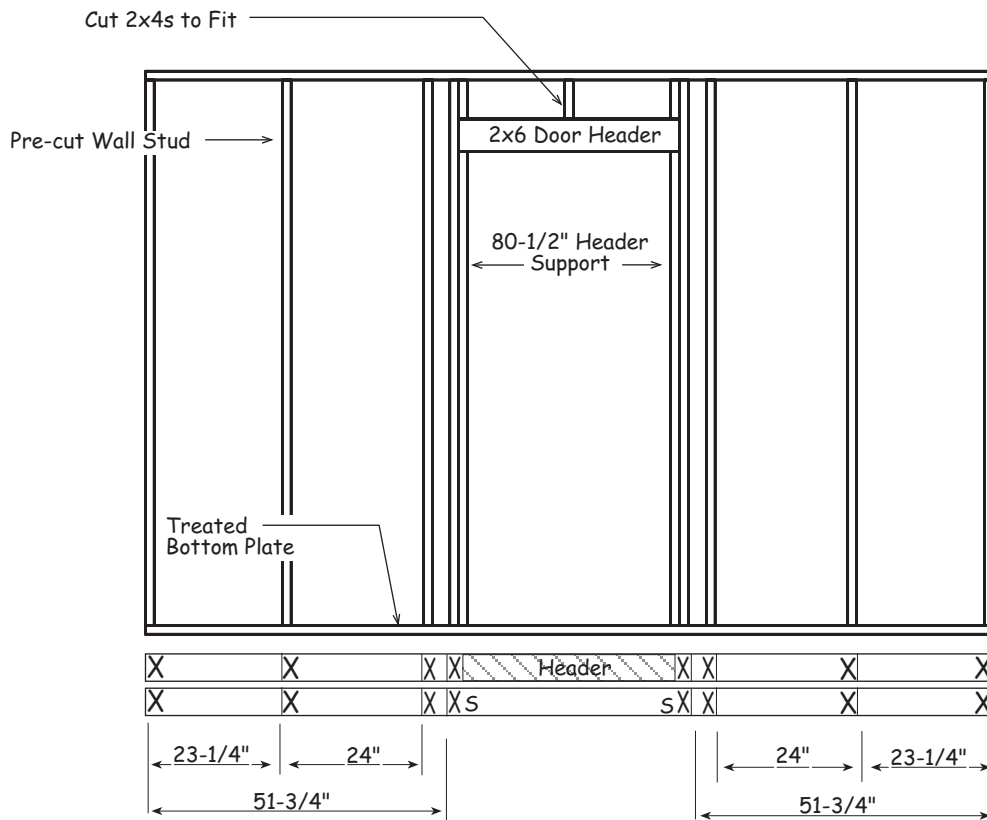
1. Cut, *if necessary*, (2) two 2x4-12' (one will be treated) to a length of 144". Position the boards together and indicate with 'X' marks where the wall studs will be located.



2. Install (7) seven pre-cut wall studs between the top and bottom plates. Nail the treated bottom plate to each wall stud with (2) two 16d galvanized deck nails. Use (2) two 10d coated sinker nails per stud to secure the top plate.

## Step 4 Assemble 12' Front Door Wall Frame

1. Trim, if necessary, (2) two 2x4-12' boards (one will be treated) to a length of 144". Position the boards together and indicate with 'X' marks where the wall studs will be located. Mark an 'S' on bottom plate where the door header supports will be located. *See drawing below.*
2. Install (8) eight pre-cut studs, *over the 'X' marks*, between the wall plates. Use 10d sinkers on top plate and 16d galv. nails on bottom plate.
3. Cut (2) two pre-cut wall studs to a length of 80-1/2" and install over 'S' marks as header supports. Nail to studs with (10) ten 10d sinkers. Save cutoffs.



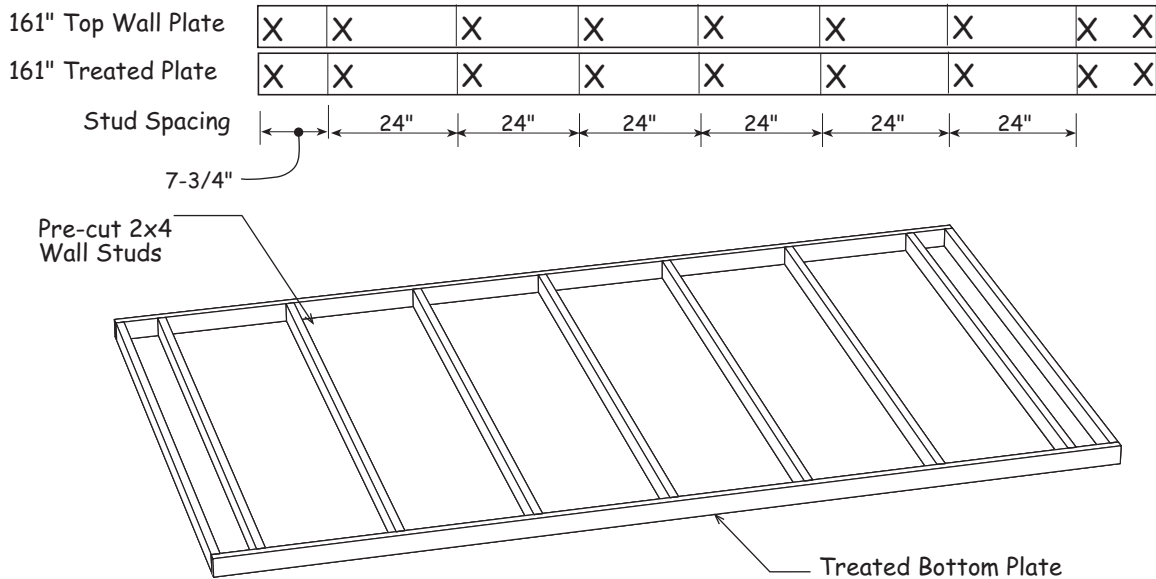
4. Install the 37-1/2" long 2x6 door header on the header supports. Nail to studs with 10d sinkers.
5. From 2x4 cutoffs cut (3) three blocks to fit between header and top 2x4 plate. Install with 10d sinkers.



## Step 5 Assemble a 13'-5" Long End Wall Frame

 ***If 2x4-14' boards are not available 16' long 2x4 will be substituted.***

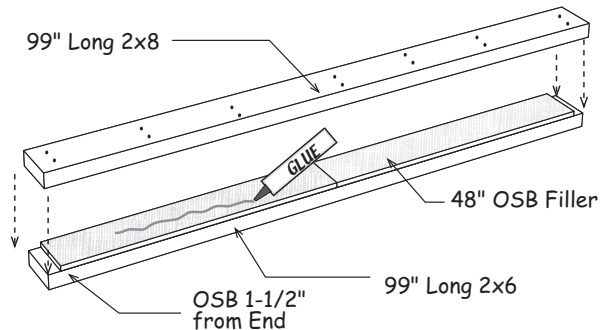
1. Cut (2) two 2x4-14' (one will be treated) to a length of 161". Position the boards together and indicate with 'X' marks where the wall studs will be located.



2. Install (9) nine pre-cut wall studs between the top and bottom plates. Nail the treated bottom plate to each wall stud with (2) two 16d galvanized deck nails. Use (2) two 10d coated sinker nails per stud to secure the top plate.

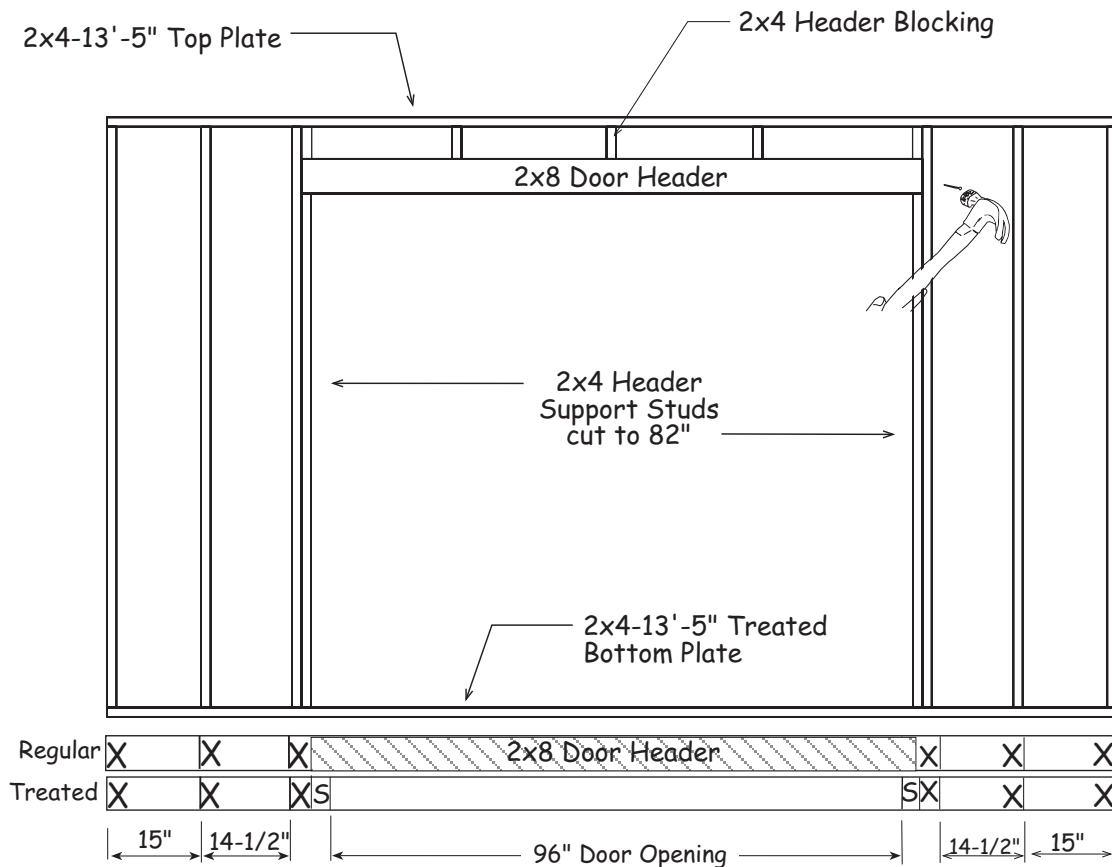
## Step 6 Assemble Door Header

1. Cut (2) two 10' long 2x8 boards to a length of 99".
2. Locate (2) two 7-1/4" x 48" OSB. Apply wood glue to both sides of each OSB filler with a brush and install in the center of the 2x8 boards. Nail together using 10d coated sinkers. Use (12) twelve nails spaced evenly on each side. OSB should be 1-1/2" from end of boards.




## Step 7 Assemble a 13'-5" Long End Wall Door Frame

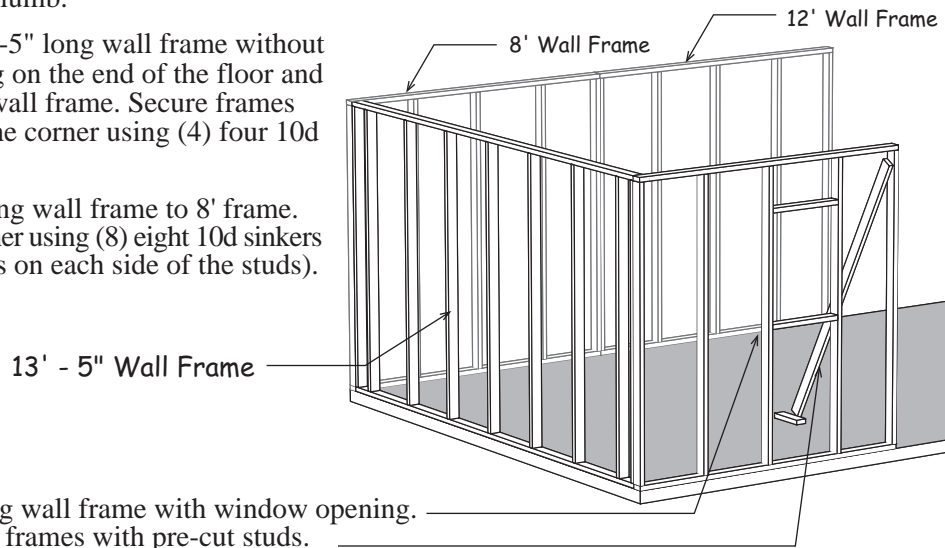
1. Cut (2) two 2x4-14' (one will be treated) to a length of 161". Position the boards together and indicate with 'X' marks where the wall studs will be located and an 'S' where the door header support studs will be located. *See drawing below.*
2. Assemble the front wall frame using the wall plates cut above and install (6) six pre-cut wall studs over the 'X' marks.
3. Cut (2) two pre-cut studs to a length of 82". Install over 'S' marks as header supports using (10) ten 10d sinkers. Install the 2x8 header by toe-nailing the ends to the adjacent studs with 10d sinkers.
4. From 2x4 cutoffs left over from previous steps cut (5) five blocks to fit between header and and top 2x4 plate. Install with 10d sinkers.



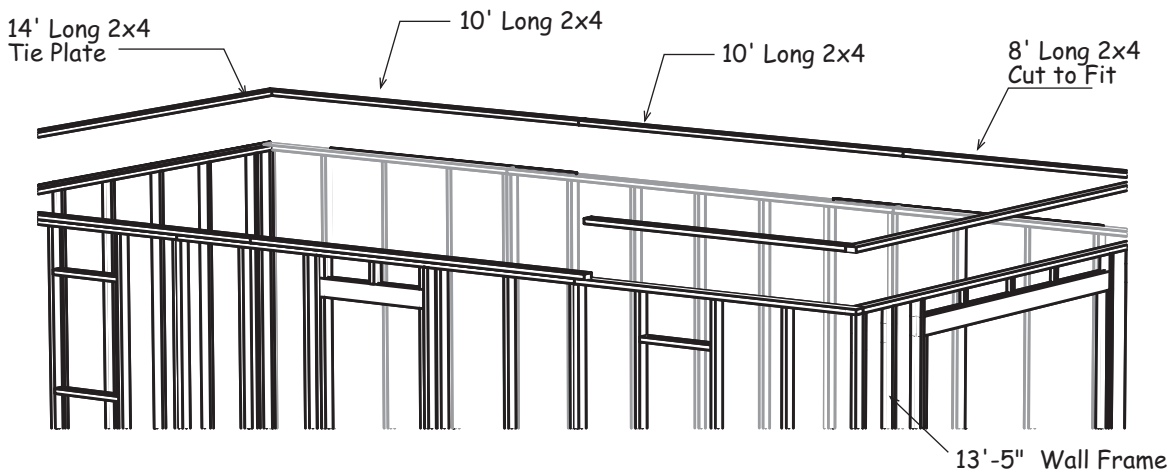
## Step 8 Install Wall Frames & 2x4 Tie Plates

 The 13'-5" long wall frames are positioned between 8' side walls.

1. Erect a 8' long wall frame on the back side of the floor. .IMPORTANT make sure frames are square and plumb.
2. Erect the 13'-5" long wall frame without door opening on the end of the floor and butted to 8' wall frame. Secure frames together at the corner using (4) four 10d sinkers.
3. Butt a 12' long wall frame to 8' frame. Secure together using (8) eight 10d sinkers (stagger nails on each side of the studs).



4. Install 8' long wall frame with window opening. Brace center frames with pre-cut studs.
5. Erect all remaining frames. Nail frames to the floor using 16d galv. nails (or concrete anchor bolts, *not included*) 24" on center. *Do not nail 2x4s to floor in door openings.*
6. Cut if necessary 14' long 2x4s and install as tie plates on both end 14' walls. Use 10d sinkers space 16" apart to secure tie plates.



7. Install (2) two 2x4-10' boards on back wall frames. Butt these against the 14' long tie plate on end wall without door. Cut a 2x4-8' board to finish. Use 10d sinkers. Repeat on front wall.

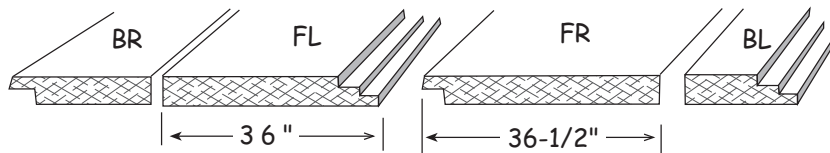
## Step 9 Install Siding



*If a siding panel has a damaged edge, install this edge at a corner where it will be covered with corner trim.*

*If installing building on concrete slab, install siding flush with the bottom plate. For wood floor, extend siding 3/4" below bottom plate.*

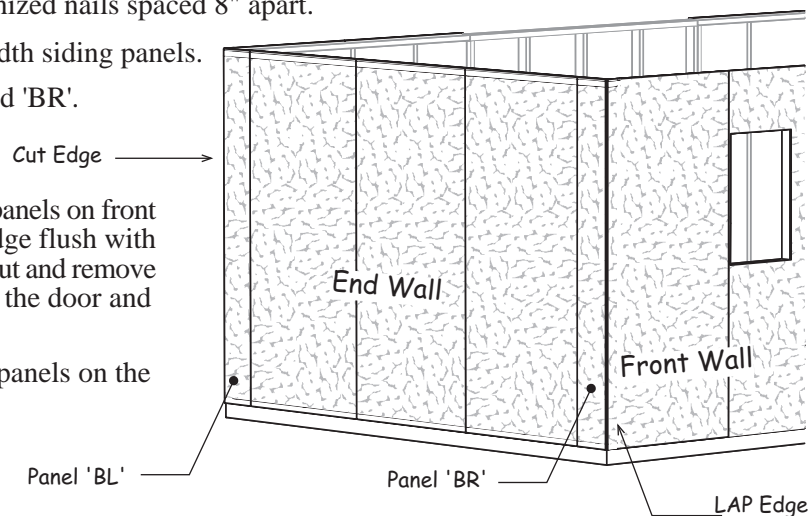
1. Select (2) 4x8 siding panels and cut panels to the widths shown below. Mark the panels as shown below so they can be identified later.



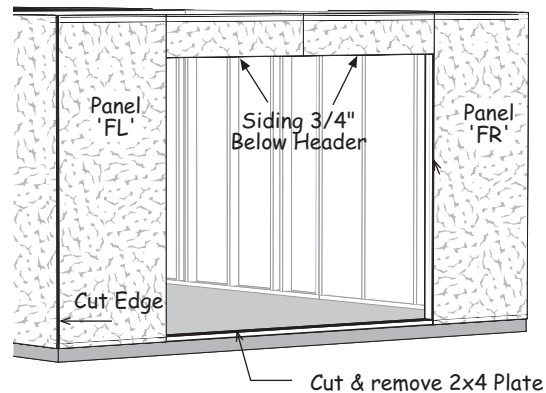
2. Install siding panel 'BL' with the 'cut' edge flush with the wall stud of the back wall. Install all siding with 6d galvanized nails spaced 8" apart.
3. Install (3) three full width siding panels.
4. Install the siding marked 'BR'.

5. Install (7) seven siding panels on front wall. Start with 'LAP' edge flush with face of end wall siding. Cut and remove siding that extends over the door and window openings.

6. Install (7) seven siding panels on the back wall.

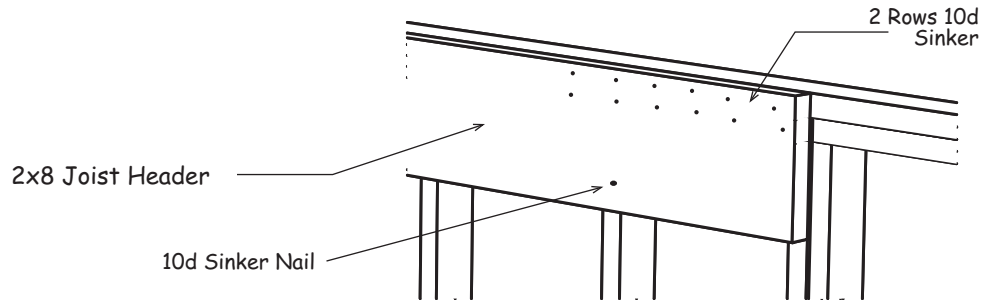


7. Install siding panel 'FL' with the 'cut' edge flush with the siding of the front wall.
8. Locate (2) two 13" x 48" siding panels. Install siding above the door opening with bottom edge 3/4" below door header. If necessary cut top flush with other siding panels.
9. Install the remaining siding panel on the wall frame.
10. Cut and remove 2x4 plate that extends across both door openings. Save the 2x4s, it will be used in a later step.

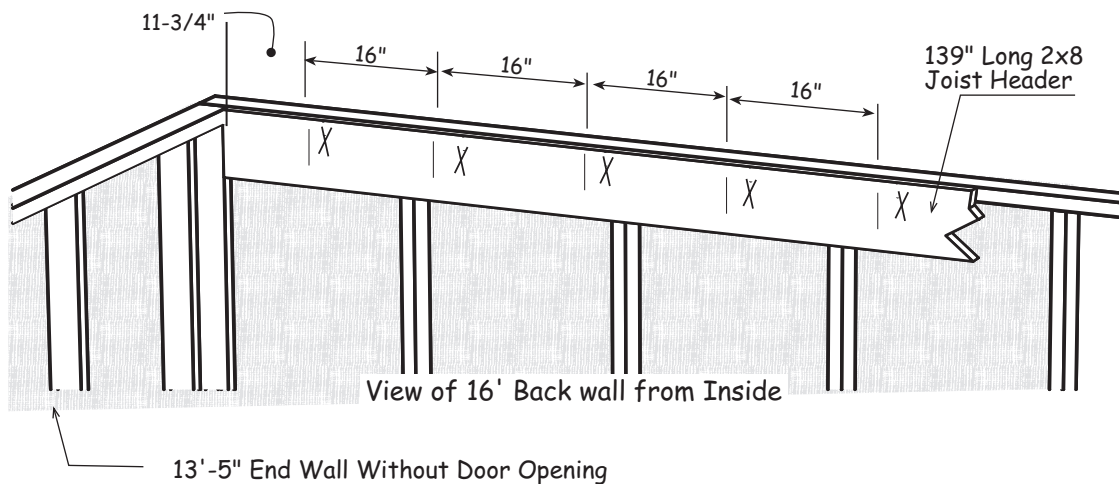


## Step 10 Install 2x8 Joist Headers on Back Walls

1. Cut a 12' long 2x8 board to 139". Install this 2x8 to the 8' back wall panel, against the 13'-5" end wall without door opening. Install the 2x8 flush with the top of the 2x4 tie plate. Secure with (2) two rows of 10d sinker nails spaced 4" apart across the top 2x4 plate. Also nail the 2x8 to each wall stud with one 10d sinker. *See detail below.*



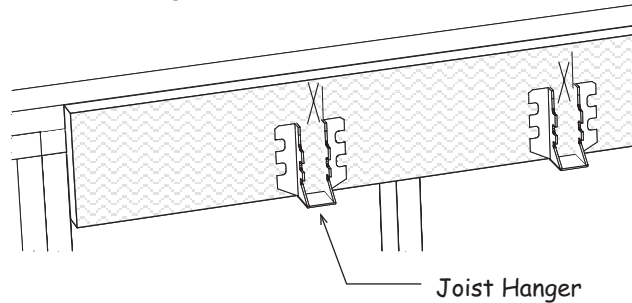
2. Repeat to install 2x8 joist header on the front wall.
3. Mark for joist spacing on the back wall. The first space will be 11-3/4" measuring from inside the end wall frame. **Important:** Mark the 'X' mark on the **right** side of the lines.



4. Mark for joist spacing on the front wall panel. **Important:** Mark the 'X' mark on the **left** side of the lines on the front wall header so the floor joist will be parallel when installed.
5. Repeat to install joist headers on the opposite end of the building.

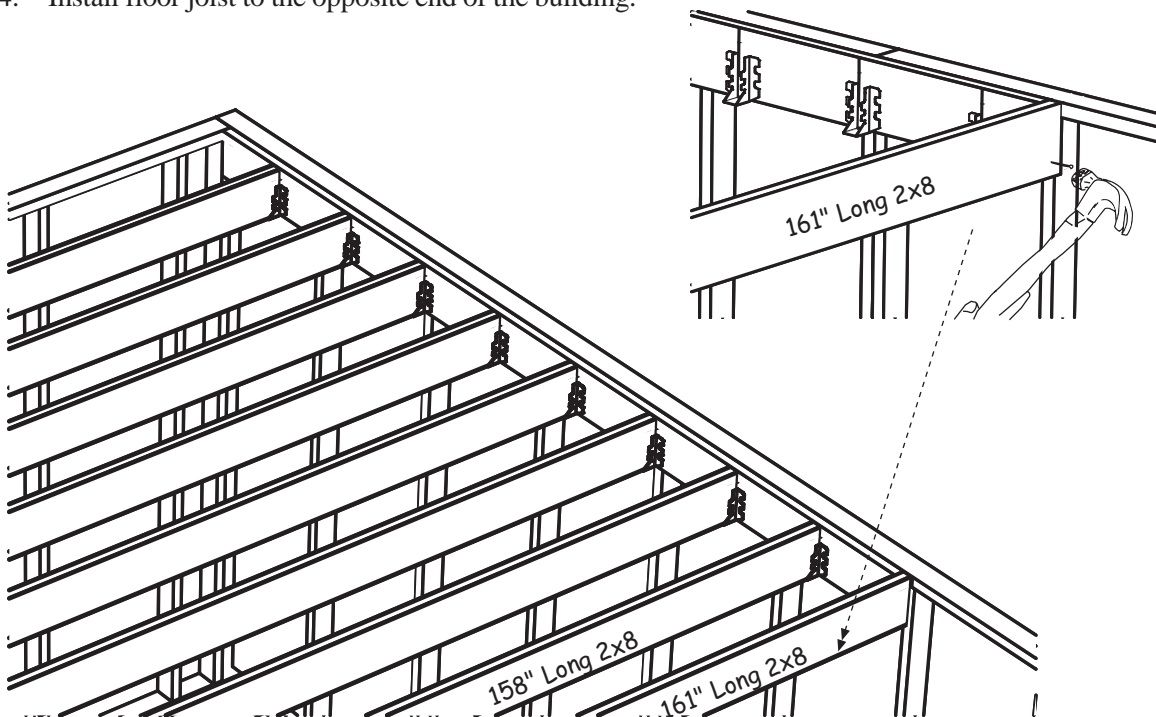
## Step 11 Install 2x8 Floor Joist

1. Install joist hangers, *on all 2x8 joist headers*, over the 'X' marks, flush with the bottom of the 2x8s. Use 1-1/2" hanger nails.



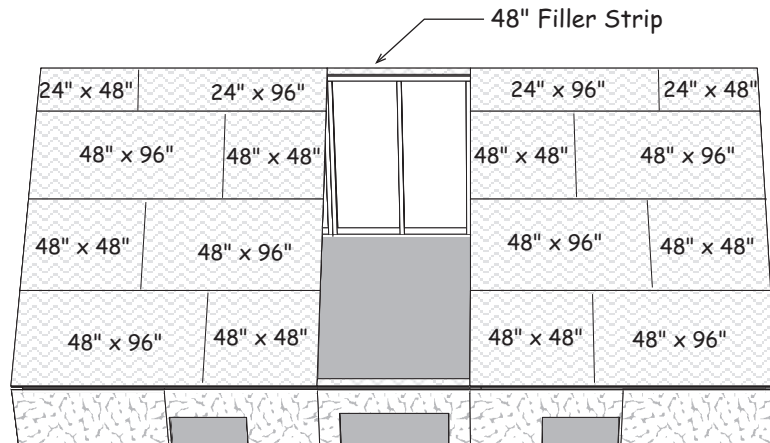
 ***If 2x8-14' boards are not available 16' long 2x8 will be substituted.***

2. Cut a 2x8-14' to 161" and install to the end of the 2x8 joist headers with (3) three 10d sinkers.
3. Cut (8) eight 2x8 to 158" and install between the 2x8 joist headers. Secure with 1-1/2" hanger nails.
4. Install floor joist to the opposite end of the building.



## Step 12 Install Loft Flooring

1. Cut (3) three 5/8" thick sheets into (2) two 48"x48" pieces. Cut (1) one sheet into (2) 24"x96" pieces. Cut (1) one sheet into (2) two 24"x48" pieces. The remaining piece is not used.
2. Install sheets, *per layout*, flush with the 2x4 wall plates. Secure the flooring with 8d galvanized spiral nails spaced 12" apart.
3. Locate (2) two 3-1/2" x 48" plywood filler strips. Install these on top of wall frames between loft floors.



## Step 13 Install Trim on End Walls

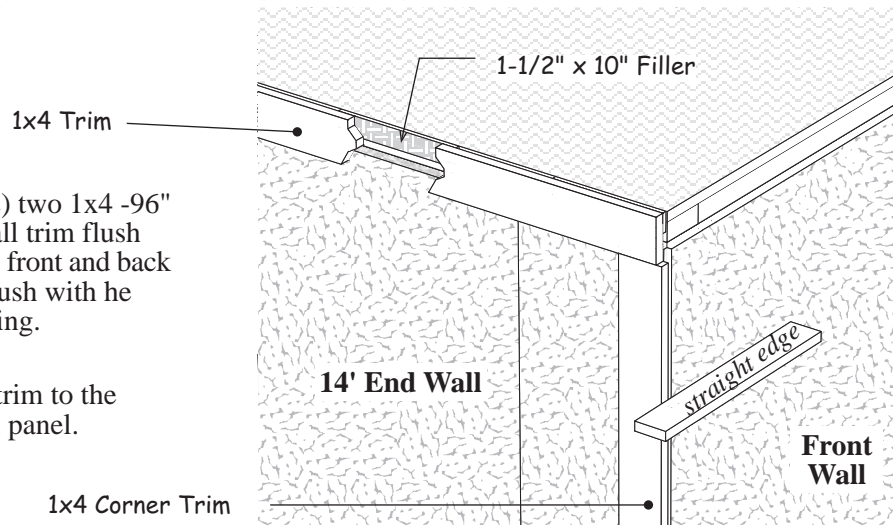
### **IMPORTANT: Trim Must Be Installed Before Installing Roof Gables!**



Depending on the pre-cut stud length and if the siding extends below the bottom plate, you may have a space between the top of the siding and the loft floor. If necessary tack nail or glue 1-1/2" x 10" fillers, *included in the kit*, to prevent the 1x4 trim from tipping when nailing the trim. Space fillers 12" apart.

1. Install (2) two 84" long 1x4 trim boards flush with the top of the loft flooring. *Install all trim using 6d galvanized box nails spaced 12" apart.*

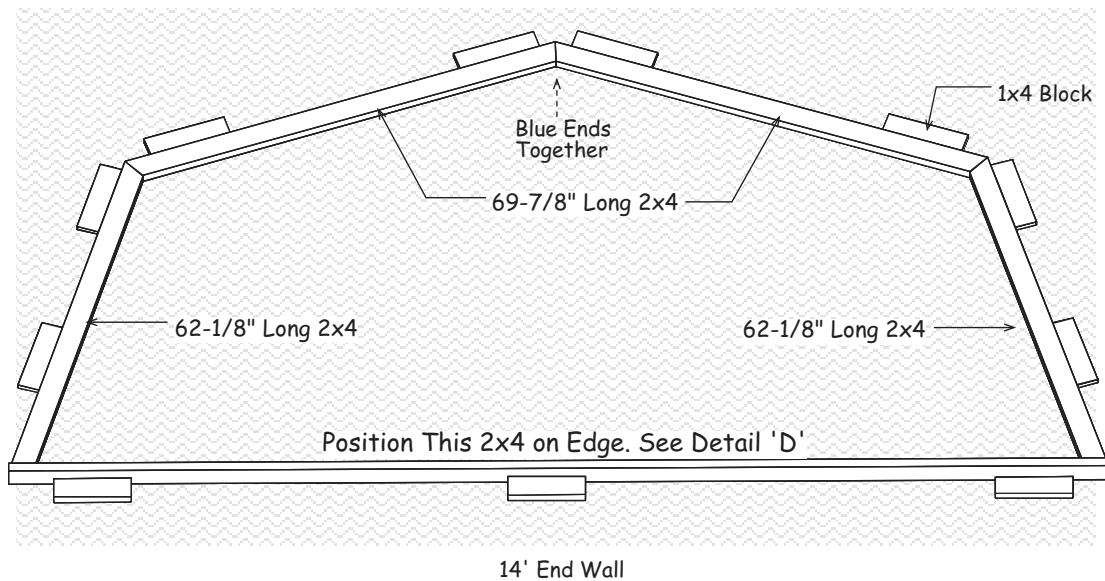
2. Cut and install (2) two 1x4 -96" trim boards. Install trim flush with siding on the front and back walls. Cut trim flush with the bottom of the siding.
3. Repeat to install trim to the opposite end wall panel.



1x4 Corner Trim

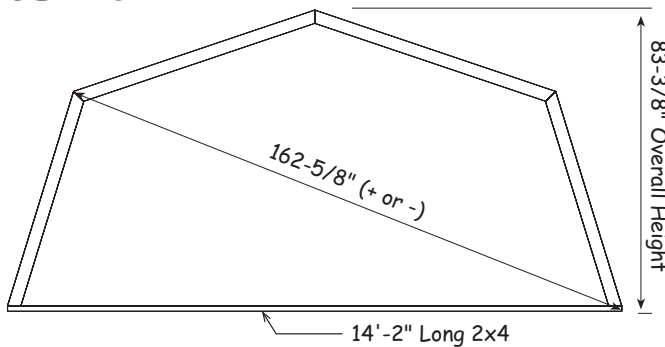
## Step 14A Assemble Gable Frame

1. Cut a 16' long 2x4 to a length of 14'-2".
2. Gather (2) 62-1/8" long and (2) 69-7/8" long 2x4s. Place blue marked ends of 69-7/8" 2x4s together at the ridge. Position 62-1/8" boards as shown below. Set the 14'-2" long 2x4 on edge and nearest to 14' end wall. The gable frame when complete will be 2" wider than loft floor.
3. Check the frame for squareness. Measure from the knee to the corner of the 14'-2" long 2x4. Measure again from opposite knee. The measurements should be the same, see Detail 'C'.

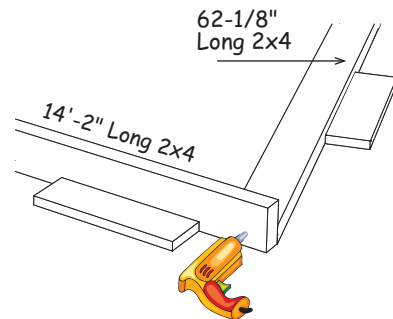


4. It is important that both gables and the trusses are built the same. Temporarily tack 1x4 blocks, *included in the kit*, to the loft flooring around the gable frame members, see above. The blocks measure 8"-12" long and may have angled ends.
5. Screw the 2x4 plate to the truss leg with (2) two 2-1/2" deck screws on each end. *See Detail 'D'*.

DETAIL 'C'



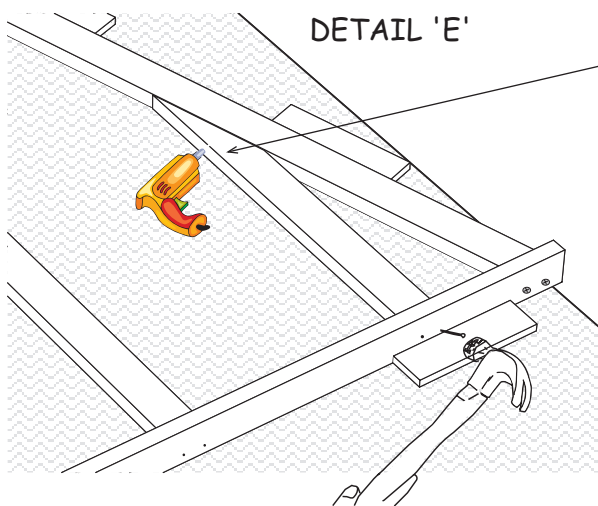
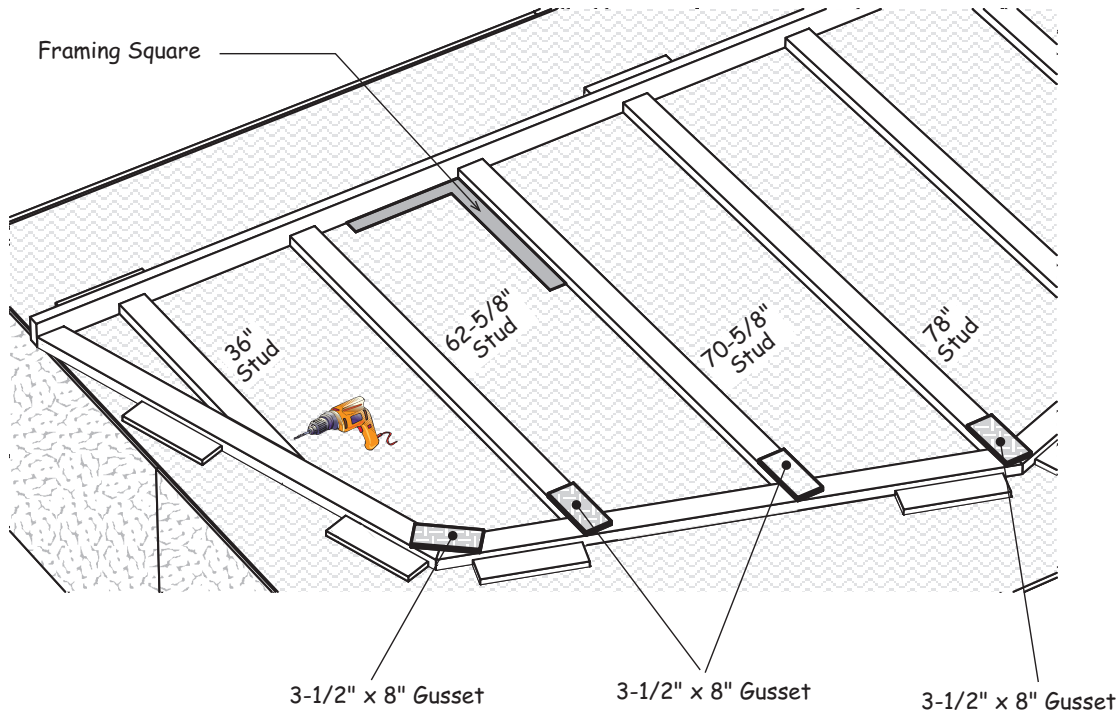
DETAIL 'D'





## Step 14B Assemble Gable Frame continued

6. Install pre-cut gable studs inside the gable frame. Use a framing square to make sure the studs are plumb and fit tight to the top 2x4 top frame and bottom plate. Use 3-1/2" x 8" OSB gussets to temporarily secure the tops of the gable studs until the siding is applied. Use 6d common nails. Secure the stud to the bottom 2x4 plate using (2) two 10d sinker nails. *See Detail 'E'.*

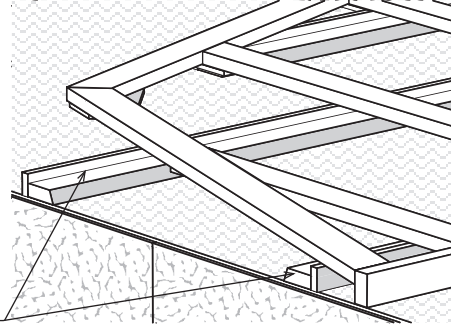


7. Attach 36" gable stud using a 2-1/2" long screw.
8. Flip frame over and move the frame to the opposite loft area. Position the gable so the bottom of the gable is facing towards the 14' end wall. This will make the gable easier to install after the siding is applied.
9. Repeat steps 1 to 7 to assemble another gable frame. Do not remove 1x4 blocks from floor. They will be needed for a later step.


## Step 15 Install Siding on Gable Frame

1. Select the first gable frame assembled and position the gable frame so the wood gussets are facing towards the floor.
2. The bottom 2x4 plate prevents the gable from laying flat on the floor. Locate 65" long 2x4s that have a 1x3 board attached. These boards will be used later when installing the roof overhang. Place these 2x4s with the 2x4 resting on the floor. Resting the gable frame on these boards will make it easier to install the siding.

2x4 with 1x3 Attached

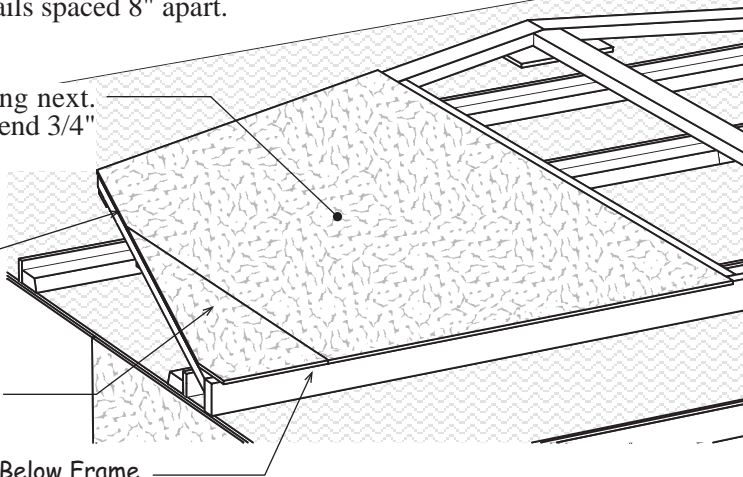


3. Install a 12" x 44-1/2" siding panel that has a 'tongue' edge. Install the siding with the cut edge flush with the side of the gable frame and extending 3/4" below the frame. Use 6d galvanized nails spaced 8" apart.
4. Install a 48" x 76-1/2" siding panel next. The bottom edge should extend 3/4" below the bottom frame

 Siding may not be flush with 2x4 frame.

12" x 44-1/2" siding panel

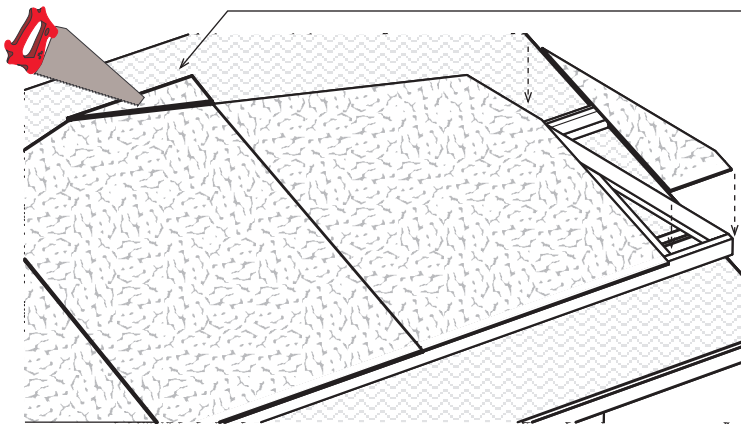
Siding Extends 3/4" Below Frame



5. Install a 4'x7' center siding panel. Cut the siding that extends past the gable frame.

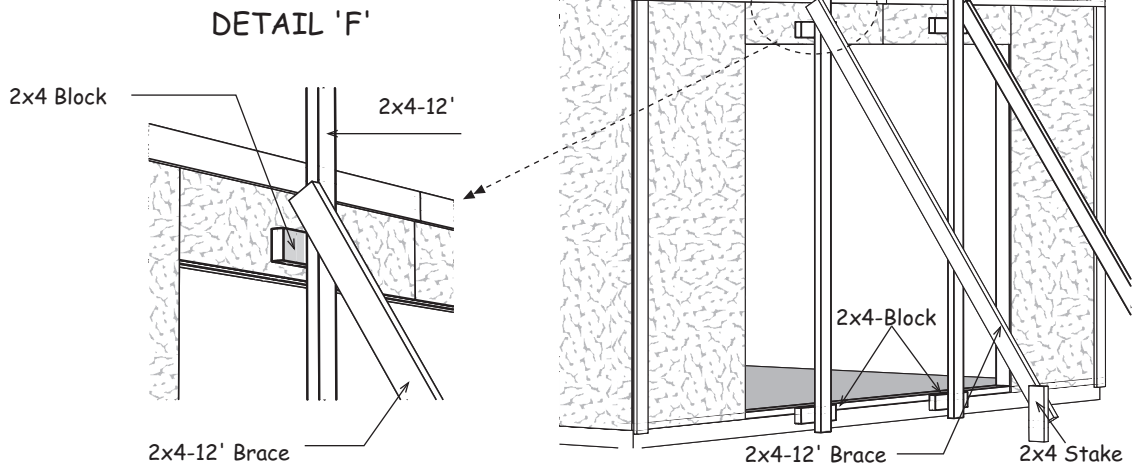
6. Install the last two siding panels.

7. Repeat steps to install siding on the other gable frame.

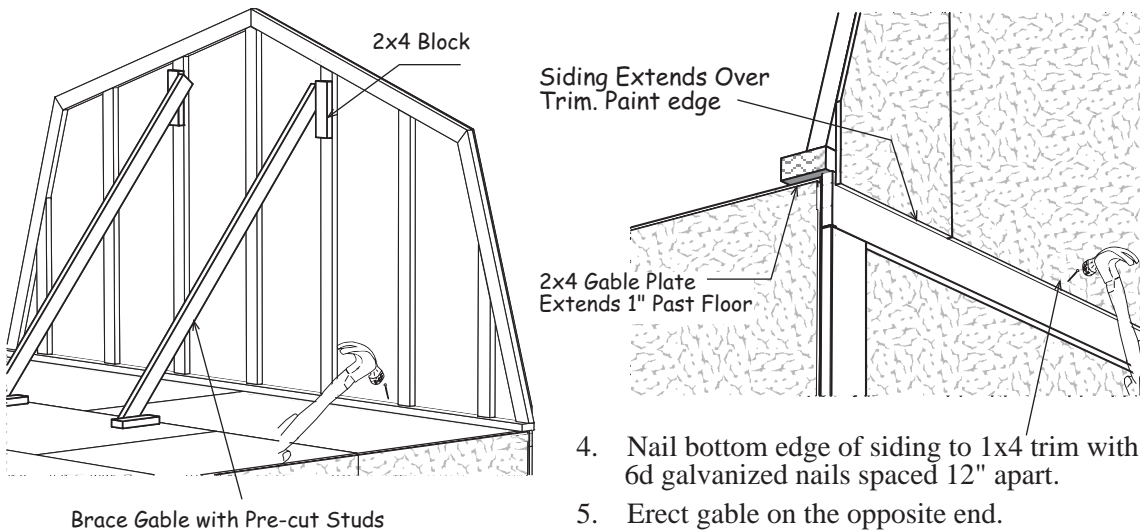


## Step 16 Install Gable

1. Install (2) two 2x4-12' boards on the end wall to prevent the gable from falling off during installation. Install (2) two more 2x4-12 boards to brace the vertical 2x4 in place. Before installing the vertical 2x4s attach (2) two 2x4 blocks to the back of the 2x4s. See Detail 'F'. This will create the proper spacing to set the gable over the lower wall.



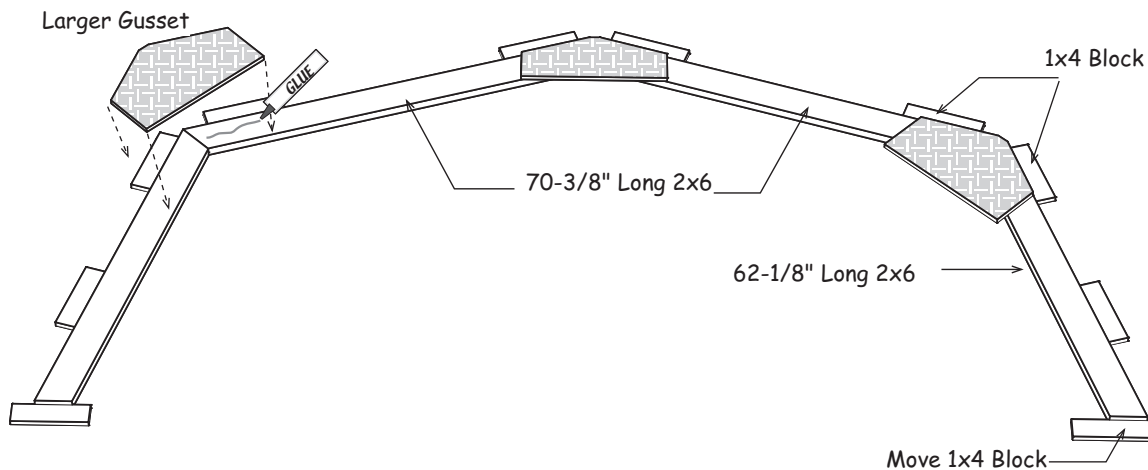
2. Erect the gable on the end wall with the gable siding extending over the trim on the end wall. Center the gable so the bottom 2x4 extends 1" past the flooring on both sides. Nail to floor, *between each gable stud*, using 10d sinkers.
3. Remove the 2x4s used to brace the lower walls and use them to brace the gable.



4. Nail bottom edge of siding to 1x4 trim with 6d galvanized nails spaced 12" apart.
5. Erect gable on the opposite end.

## Step 17 Assemble 2x6 Roof Trusses

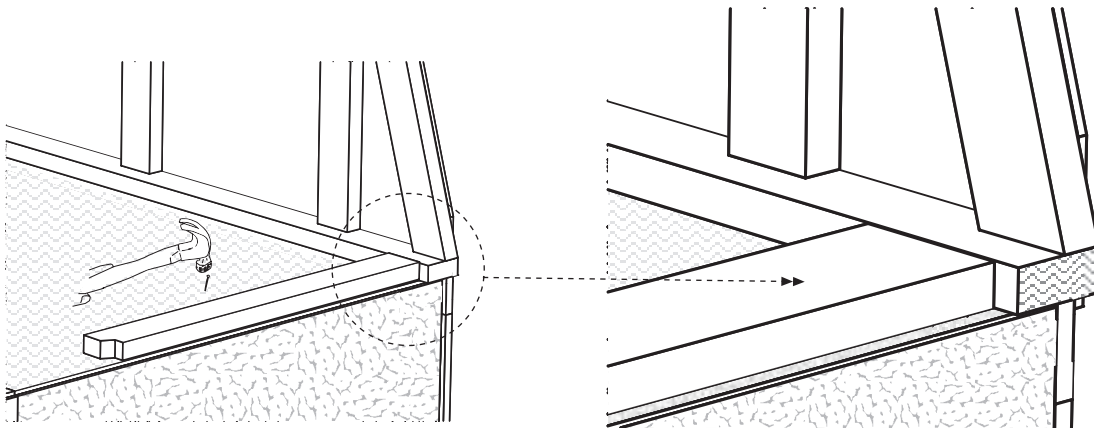
1. Lay truss parts inside the 1x4 blocks used around gable frames. One end of the 70-3/8" long 2x6 boards have a blue mark. Place these ends together at the ridge. Move (2) two 1x4 blocks to the bottom of the truss legs to keep these from moving.
2. Secure the 2x6 boards together using pre-cut gussets. Install the larger gussets at the knee of the trusses. Apply wood glue with a brush between the gussets and the 2x6 boards. Secure gussets with (3) three rows of 6d common nails spaced 6" apart.



3. Turn truss over and apply gussets to the other side. Set truss aside.
4. Assemble (12) twelve more trusses. Remove 2x4 blocks from floor.

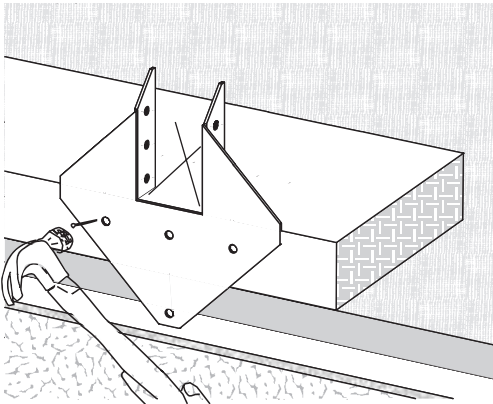
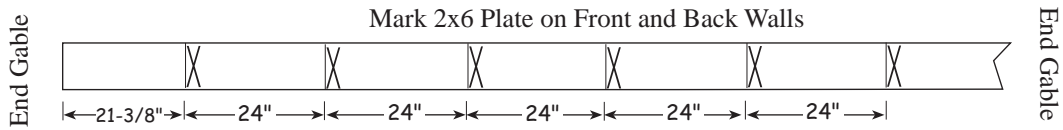
## Step 18 Install 2x6 Truss Plates

1. Install a 10' long 2x6 board on back wall against back of a gable frame. The 2x6 should be installed aligned with edge of the flooring. Use (2) two rows of 10d sinkers spaced 16" apart. Install another 10' long 2x6 board and then an 8' long 2x6. Cut last board to fit.
2. Repeat on front wall.

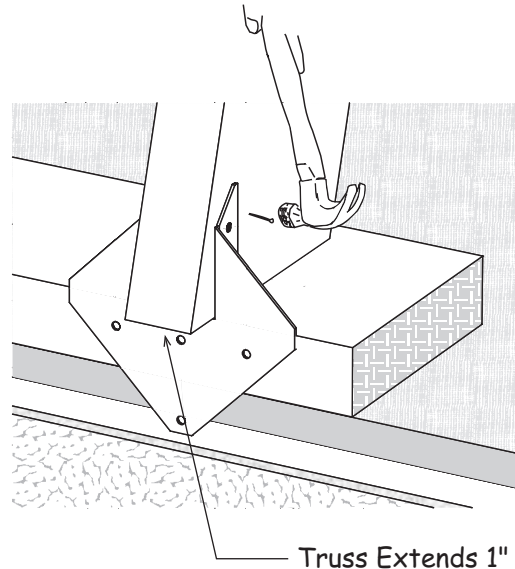


## Step 19 Install Trusses

1. Starting at the end wall without the door opening indicate with 'X' marks where the trusses will be located. The last space will be wider than the first (21-3/8") space.

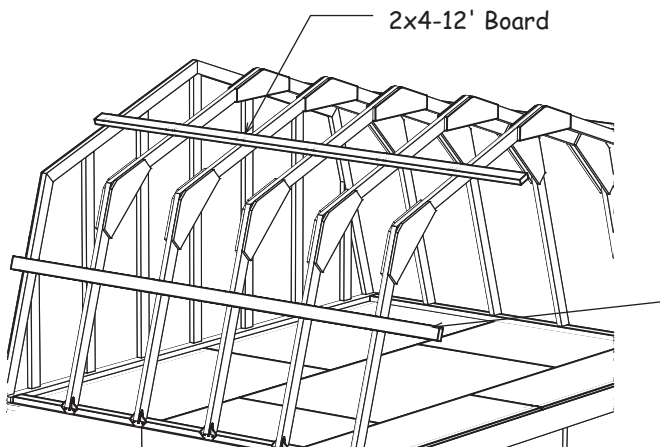


2. Install H1 truss hangers to the 2x6 truss plate. Position the hanger on the line with the 'X' mark in the opening. Install the hangers using 6d common nails.



4. Set truss legs into hanger. The truss needs to extend 1" beyond the 2x4 truss plate to be in-line with the gable frames.

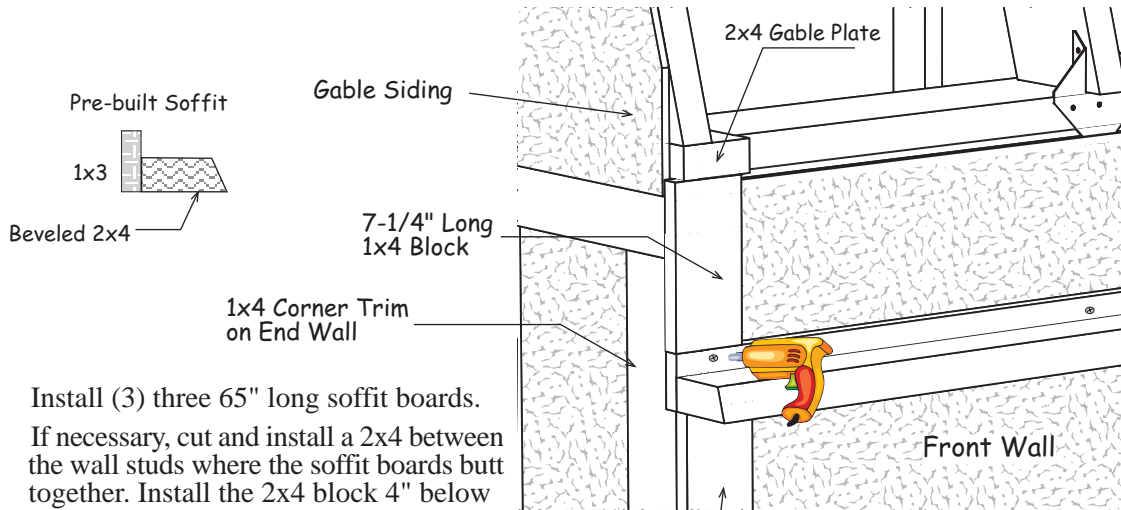
Use 1-1/2" hanger nails to secure the truss to the metal hanger



5. Remove the 2x4-12' boards used to brace the gable. As you progress setting trusses, tack these boards to keep trusses plumb. Don't remove the 2x4s until the roof sheathing is applied.
6. Use another 2x4-12' board as a straight edge to ensure the trusses are aligned with the gable frame.

## Step 20 Install Front & Back Wall Overhangs

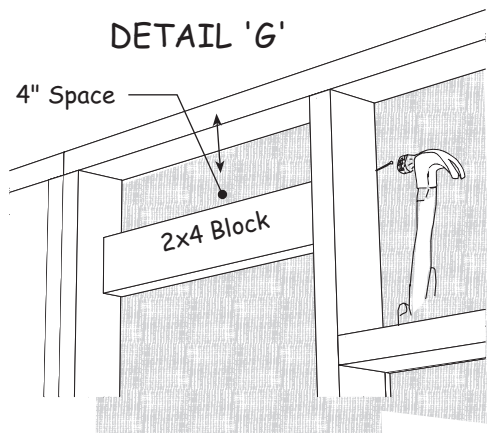
1. Locate (4) four 7-1/4" long 1x4 trim blocks packed in our kit. Install one of the 1x4 trim blocks at each corner of front wall. Install the 1x4 trim blocks under the 2x4 gable plate, flush with the siding on the **gable**. The block will extend 3/8" past the corner trim on the end wall. Use 6d galv. nails.
2. Install a 4' long pre-built soffit board on the front wall under the 1x4 trim block. Use one of the 7-1/4" long 1x4 block as a gauge to install the soffit board level across the front wall. Install the soffit board to the wall studs using 2-1/2" deck screws. Drill holes in the 1x3 to prevent the 1x3 from splitting.



3. Install (3) three 65" long soffit boards.  
If necessary, cut and install a 2x4 between the wall studs where the soffit boards butt together. Install the 2x4 block 4" below the top wall plate. *See detail 'G'*
4. Install (3) three 4' long soffit boards cutting the last one to fit.
5. Repeat steps on back wall.

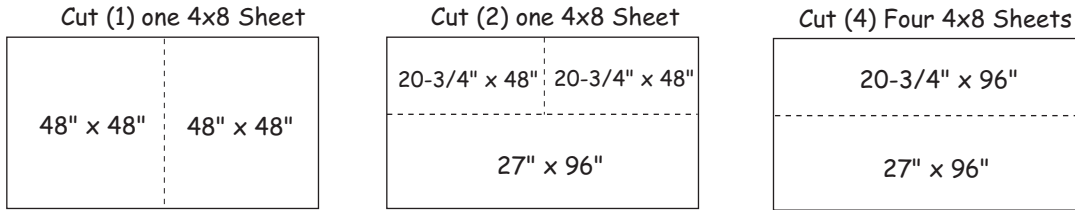
6. Cut an 8' long 1x4 trim board to fit between the soffit board and the bottom of the siding. Install 1x4 trim board flush with the trim board on the end wall. Do not extend 3/8" past end wall trim. Use 6d galv. nails spaced 12" apart.

7. Repeat to install corner trim on the other corners.

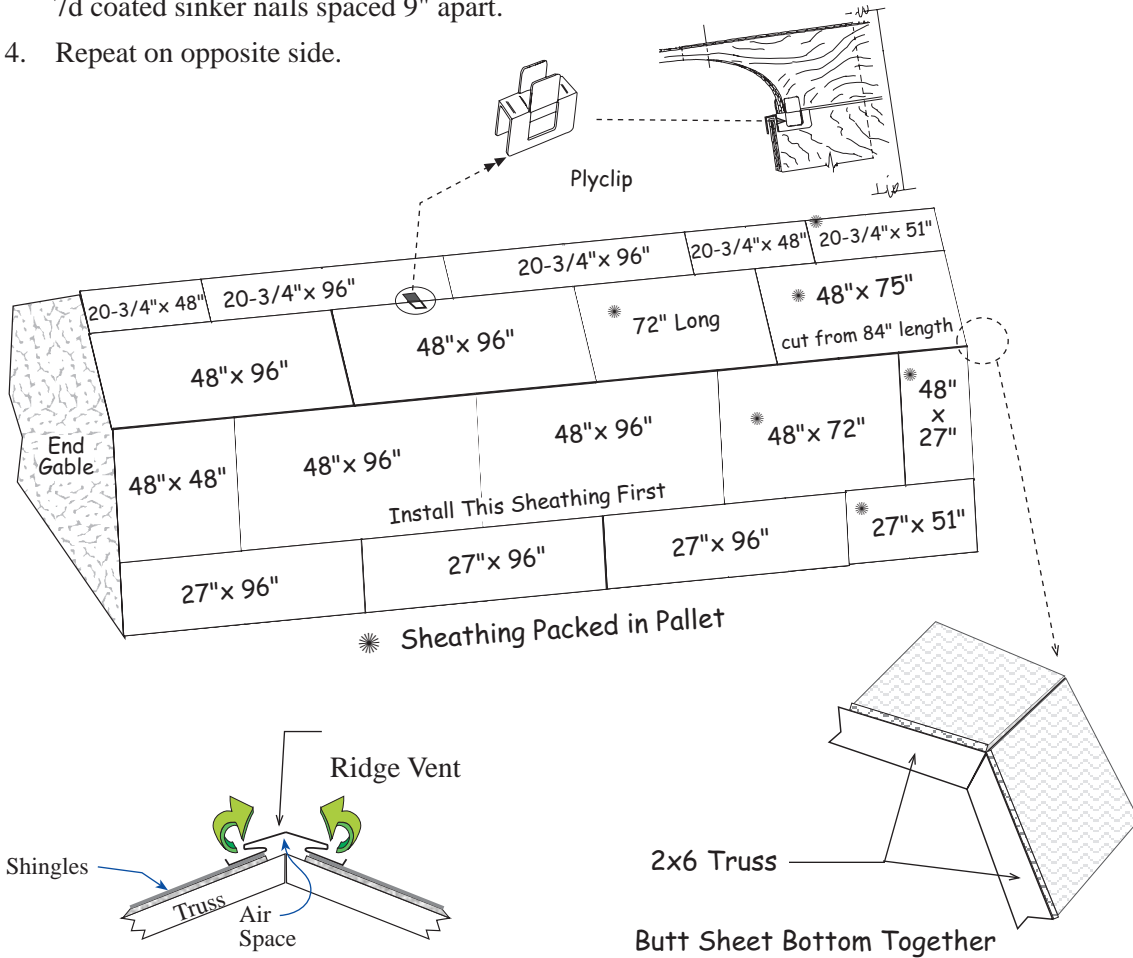


## Step 21 Install Roof Sheathing

- 1 Cut (7) seven sheets of 7/16" OSB into the quantity and sizes shown below.

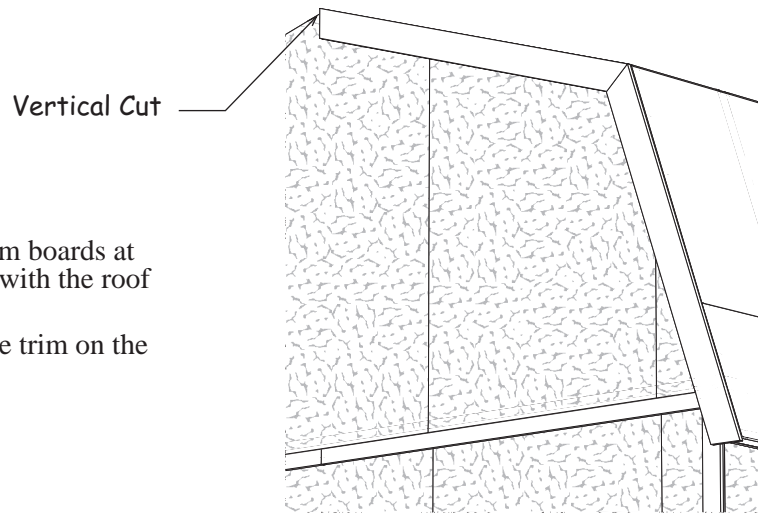


2. Locate (2) two 48"x84" OSB sheets, *packed in our kit*, and cut to a length of 75".
3. Make certain the trusses and the gables are plumb. Starting from front left end install 7/16" OSB sheathing per layout below. OSB should be flush with gable siding. Install a plyclip between each truss on the top row of sheathing. The top row of roof sheathing will be 1" below the peak of the truss to allow air circulation if ridge vent is installed. Install sheathing using 7d coated sinker nails spaced 9" apart.
4. Repeat on opposite side.



## Step 22 Install Gable Trim

1. Install 70-1/4" long 1x6 trim boards at the top of the gable. Install the trim with the vertical cut located at the peak of the gable. Install 1x6 flush with the top of the roof sheathing. Use 6d galv. nails spaced 12" apart.

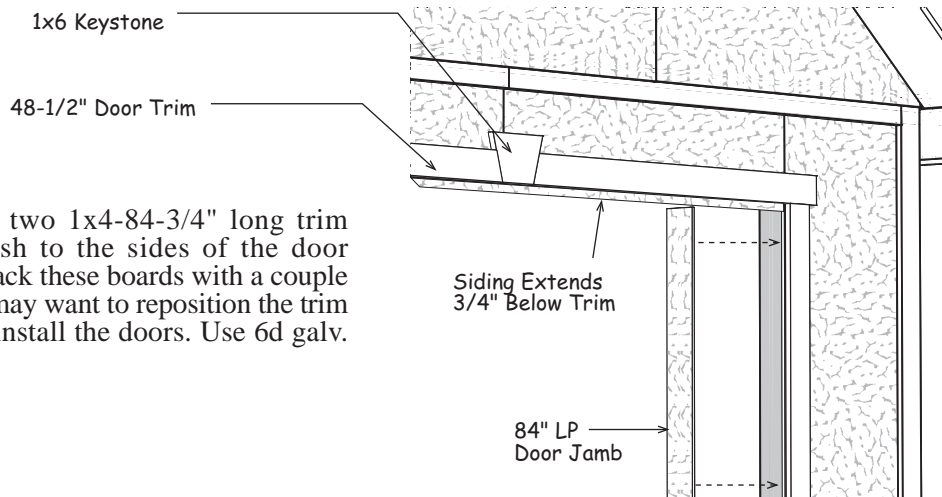


2. Install 75-1/4" long 1x6 trim boards at the side of the gable, flush with the roof sheathing.
3. Repeat steps to install gable trim on the opposite gable.



## Step 23 Install Door Trim

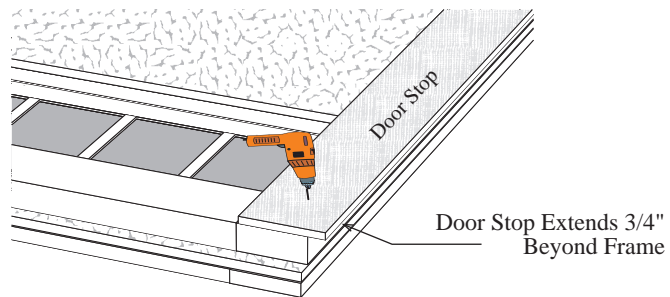
1. Install 3-7/8" x 84" primed LP door jamb material to the sides of the door opening. Install door jamb flush with the siding. Use 6d galv. nails.
2. Install (2) two 48-3/4" long 1x4 trim boards and a 1x6 keystone across the top of the door opening. Install the trim boards centered across the opening and 3/4" above the siding. The exposed siding will serve as a door stop when the doors are closed. Use 6d galv. nails spaced 12" apart.



3. Install (2) two 1x4-84-3/4" long trim boards flush to the sides of the door opening. Tack these boards with a couple nails, you may want to reposition the trim when you install the doors. Use 6d galv. nails.

## Step 24 Install Door Stop on Left Door

1. Select the door without the pre-drilled hole on long edge. Lay door face down.
2. Install a 4-1/2" x 83" long siding panel as a door stop on right side of door. The door stop should extend 3/4" beyond the frame of the door and flush with top of door. Use 1-1/2" exterior screws spaced 12" apart.

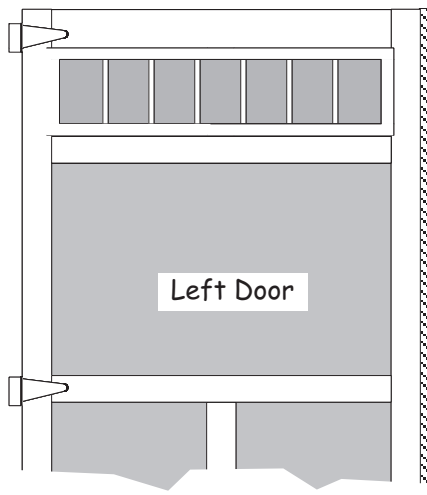
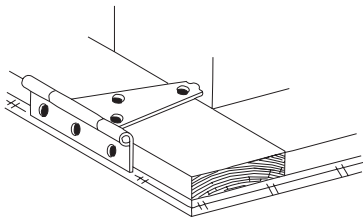


## Step 25 Install Doors

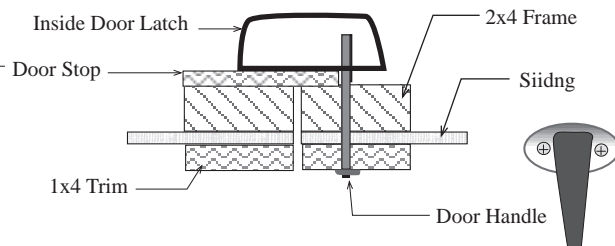


*If your door opening is out of square, the space around the doors will not be even. You can remove and re-position the side trim to make allowances for this. The side trim does not have to be flush with the frame of the door opening. You can move the trim in or out to make the door spacing equal.*

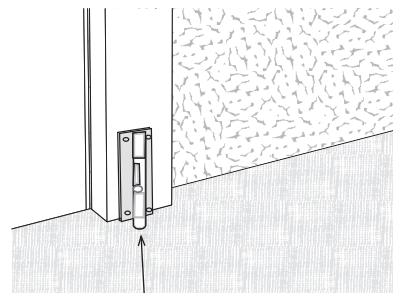
1. Install (3) three 6" hinges to side of the doors. To position the hinge, hold the rectangular plate against the frame. Use 2" black screws.



2. Install 3-7/8" wide primed jamb material to the sides of the door opening.
3. Before fastening the hinges to the trim, temporarily prop the doors in the opening. Leave a space at the top and between the doors and the side trim to allow room for the doors to expand due to humidity.
4. Determine position of hinges and install to side trim with 2" screws.
5. Install the window using the short white screws.
6. Install door handle into the pre-drilled hole on right side door. When the handle is turned the inside latch will hold doors closed. Tighten set screw to finish.



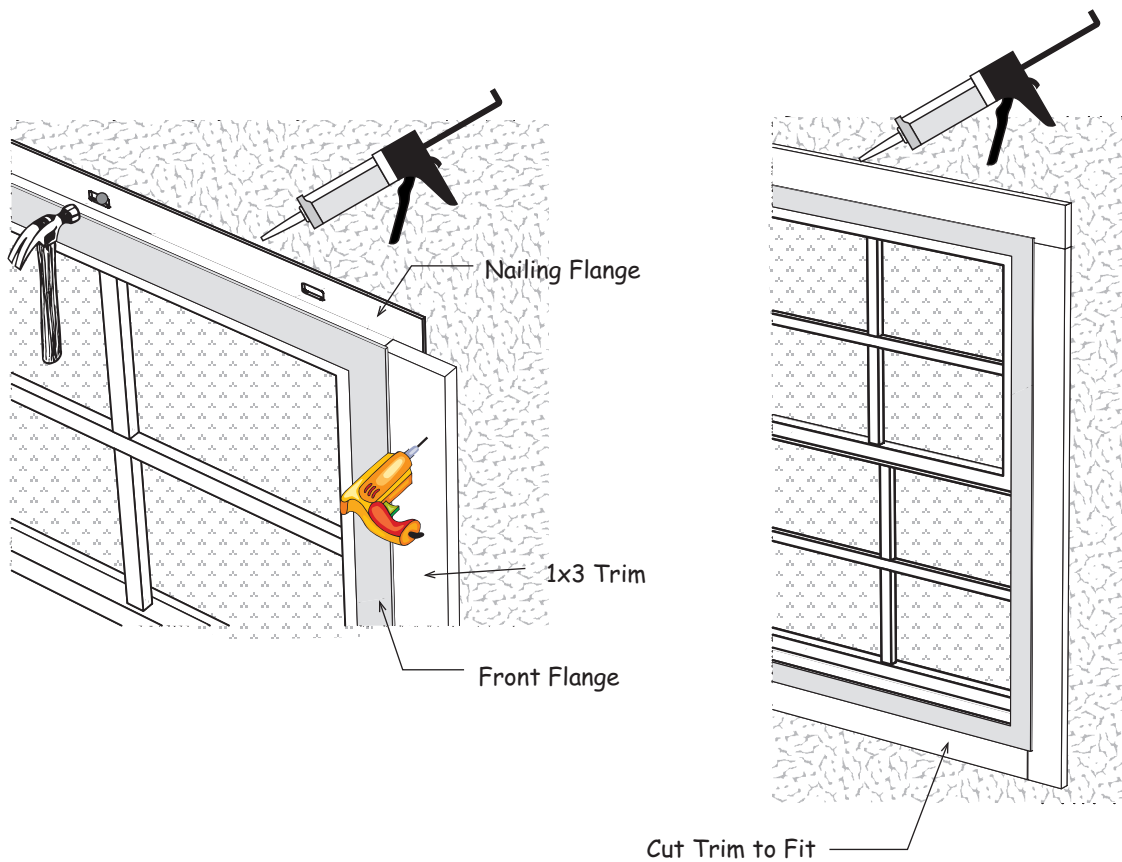
7. Install a barrel bolt on the lower back of the door to secure this door in place when closed. You will need to drill a hole for the round shaft to drop into.
8. Install another barrel bolt at the top of the door.



Barrel Bolt on the back of left door

## Step 25 Install Windows

1. Apply caulking around the window opening before installing the windows.
2. Hold the window in the opening using a few nails with a flat head so the trim can be inserted in the slot. Nails used to install shingles work well.
3. Insert 38-1/2" long 1x3 trim boards along each side of the window, flush with the top frame. *Note; the front flange projects above the window frame creating a slot for the trim.* The top trim will rest on the side trim. The 1x3 side trim will extend below the window to receive the bottom trim.
4. Secure the trim boards using (6) six stainless trim screws.
5. Install a 29-1/2" long 1x3 trim across the top. Apply caulking along the top.
6. Cut a 29-1/2" long 1x3 trim board and install under the window.
7. Install shutters with screws provided.



## Install Roofing — Not Supplied in Kit

### ***Roof Covering (Not Included)***


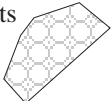
22	bdl.	Roof Shingles
12	pcs.	Roof 'drip' Edge-10'
700	sq. ft.	Felt Paper

## Packing Lists

Qty.	Material Shipped in 48" Door Ctn.		
2 ea.	48" x 84"	Pre-built Doors	
2 ea.	12" x 42"	Transom Windows	
2 ea.	1x4" x 84"	Door Trim	
2 ea.	1x4" x 48-3/4"	Door Trim	
1 ea.	1x6" x 10"	Keystone	
2 ea.	3-7/8" x 84"	Primed Door Jamb	
6 ea.	6" Door Hinges		
1 ea.	Door Handle w/key		
1 ea.	6" Barrel Bolt		
75 ea.	2" Hinge Screws		
16 ea.	White Window Screws		

Qty.	Material Shipped in Extension Kit		
4 ea.	2x6 x 70-3/8"	Truss Top Cord	
4 ea.	2x6 x 62-1/8"	Truss Leg	
2 ea.	2x4 x 48"	Pre-built Soffit	
4 ea.	24" x 9"	Truss Ridge Gusset	
8 ea.	24" x 14-1/2"	Truss Knee Gusset	
4 ea.	H-1	Metal Truss Hangers	
6 ea.	2x8	Metal Joist Hangers	

Qty.	Material from Local Supplier		
60	2x4	-	Pre-cut Wall Studs
4	2x4	8'	Wall plates (treated)
2	2x4	12'	Wall plates (treated)
2	2x4	14'	Wall plates (treated)
6	2x4	8'	Framing Lumber
4	2x4	10'	Framing Lumber
6	2x4	12'	Framing Lumber
4	2x4	14'	Framing Lumber
2	2x4	16'	Framing Lumber
8	1x4	8'	Trim Boards
4	2x6	8'	Truss Plates
4	2x6	10'	Truss Plates
2	2x8	10'	Door Header
4	2x8	12'	Floor Joist Headers
18	2x8	14'	Floor Joist
11	4x8	5/8"	Loft Flooring
19	4x8	3/8"	LP Primed Siding
15	4x8	7/16"	OSB Sheathing
1	32"x80"	9-Lite Door with Lock	

Qty.	Material Shipped on Pallet		
14	Truss - Top Cords	2x6	x 69-7/8"
14	Truss Legs	2x6	x 62-1/8"
1	Pre-built Door Header	2x6	x 37-1/2"
6	Pre-built Soffit Overhangs	2x4	x 65"
4	Gable Top Wall Plates	2x4	x 70-3/8"
4	Gable Side Wall Plates	2x4	x 62-1/8"
2	Gable Wall Studs	2x4	x 78"
4	Gable Wall Studs	2x4	x 70-5/8"
4	Gable Wall Studs	2x4	x 62-5/8"
4	Gable Wall Studs	2x4	x 36"
4	Gable Trim	1x6	x 70-1/4"
4	Gable Trim	1x6	x 75-1/4"
4	Trim Under Gable Siding	1x4	x 84"
4	Window Trim	1x3	x 38-1/2"
4	Window Trim	1x3	x 29-1/2"
2	3/8" LP Gable Siding	48"	x 84"
4	3/8" LP Gable Siding	48"	x 76"
4	3/8" LP Gable Siding	12"	x 44-1/2"
2	3/8" LP Wall Siding	48"	x 13"
2	7/16" OSB Sheathing	48"	x 84"
4	7/16" OSB Sheathing	48"	x 72"
2	7/16" OSB Sheathing	48"	x 27"
2	7/16" OSB Sheathing	27"	x 51"
2	7/16" OSB Sheathing	20-3/4"	x 51"
2	7/16" OSB Header Fillers	7-1/4"	x 48"
2	5/8" OSB Floor Fillers	3-1/2"	x 48"
2	Single Hung Window	24"	x 36"
14 Ridge Gussets 9" x 24"	28 Knee Gussets 14-1/2" x 24"	 	

Qty.	Hardware Breakdown		
5 lbs.	16d	Galvanized Spiral Nails	
10 lbs.	10d	Coated Sinkers	
10 lbs.	6d	Galvanized Nails	
5 lbs.	8d	Galvanized Spiral Nails	
10 lbs.	6d	Common Nails	
3 lbs.	7d	Sinkers Nails	
5 lb.	1-1/2"	Hanger Nails	
50	1-5/8"	Stainless Screws w/bit	
50	2-1/2"	Wood Screws	
14	2x6	H1 Truss Hangers	
18	2x8	Joist Hangers	
28	7/16"	Plyclips for roof sheathing	
1		Tubes Caulking	
3	16 oz.	Bottle Wood Glue	
<i>Wood blocks packed with hardware</i>			
4	1x4	7-1/4" Trim Blocks	
12	1x4	8" to 12" Long Truss Jig Blocks	
14	7/16"	3-1/2" x 8" OSB Gussets	
16	3/8"	10" LP Siding Fillers	