

CARPORT

20'W x 20'L x 7' H
6,1 x 6,1 x 2,1 M



Multi-use shelter and carport – perfect for vehicles, boats, outdoor picnic areas and patio furniture.



Model: CPH202007
CPHC202007

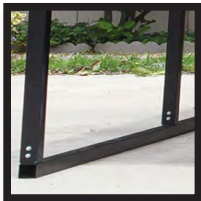
Product:

Exterior Dimensions:
243 x 237 x 118 in.
617,2 x 602 x 299,7 cm

Interior Dimensions:
237 x 237 x 115 in.
602 x 602 x 292,1 cm

Storage Area:
390 sq. ft. / 36,2 sq. m
3234 cu. ft. / 91,6 cu. m

Recommended Foundation:
21 x 21 ft. / 6,4 x 6,4 m



DESIGNED FOR STRENGTH

2 x 3 in. / 5,1 x 7,6 cm tube / 15-gauge wall thickness delivers wind and snow load strength and stability. Premium black powder coat finish resists rust and corrosion. Rib spacing: 4.5 ft. / 1,4 m.



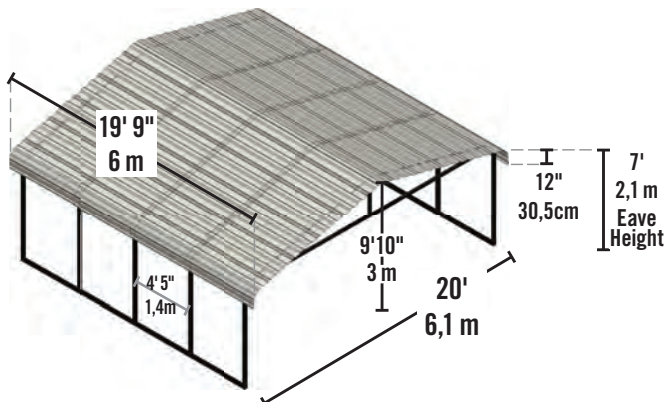
DESIGNED FOR EASY INSTALLATION

Slip-fit frame connections with pilot holes and self-drilling screws for easy assembly. Ready-to-build right out of the box.



BUILT-TO-LAST ROOF

Horizontal roof panels with 29-gauge painted galvanized steel for corrosion resistance. Rounded eaves for additional protection from elements. 10 in. / 25,4 cm overhang at the gables. Choice of Charcoal or Eggshell roof panels.



Wind Speed	100 MPH*
Snow/Ground Load	35 PSF*
* Wind and snow loads given are for reference only and assume a securely anchored frame according to local building codes and ordinances. These have been calculated using combined snow and wind load provisions in accordance with ASCE 7-05.	

Packaging:

Total Weight:
1085 lbs. / 492,2 kg

Total Pallet Weight:
1133 lbs. / 514 kg

Shipping Dimensions:
6 reinforced boxes on wood pallet

Box 1: 171 lbs. / 77,5 kg
76.6 x 22.3 x 5.5 in.
194,5 x 56,6 x 14 cm

Box 2: 158 lbs. / 71,8 kg
76.6 x 22.3 x 5.1 in.
194,5 x 56,6 x 13 cm

Box 3: 205 lbs. / 93 kg
76.6 x 22.3 x 7.1 in.
194,5 x 56,6 x 18 cm

Box 4: 229 lbs. / 103,8 kg
76.6 x 22.3 x 7.1 in.
194,5 x 56,6 x 18 cm

Box 5 & 6: 178 lbs. / 80,7 kg
70 x 30.25 x 3.5 in.
177,8 x 76,8 x 8,9 cm

Total Pallet: 76 x 30.25 x 34.3 in.
193 x 76,8 x 87,1 cm

40' Container Qty.: 15
48' Trailer Qty.: 22