

CARPORT

10'W x 20'L x 7'H
3 x 6,1 x 2,1 M



Multi-use shelter and carport – perfect for vehicles, boats, tractors, and outdoor picnic areas and patio furniture.



10 x 15 x 7 ft. model shown



Model: CPHC102007
Product:

Exterior Dimensions:

120 x 237 x 98.4 in.
304,8 x 602 x 249,9 cm

Interior Dimensions:

116 x 237 x 96.4 in.
294,6 x 602 x 244,9 cm

Storage Area:

191 sq. ft. / 17,7 sq. m
1435 cu. ft. / 40,6 cu. m

Recommended Foundation:

11 x 21 ft. / 3,4 x 6,4 m



DESIGNED FOR STRENGTH

2 in. / 5,1 cm square tube / 15-gauge wall thickness delivers wind and snow load strength and stability. Premium black powder coat finish resists rust and corrosion. Rib spacing: 4' 5.75" / 1,4 m.



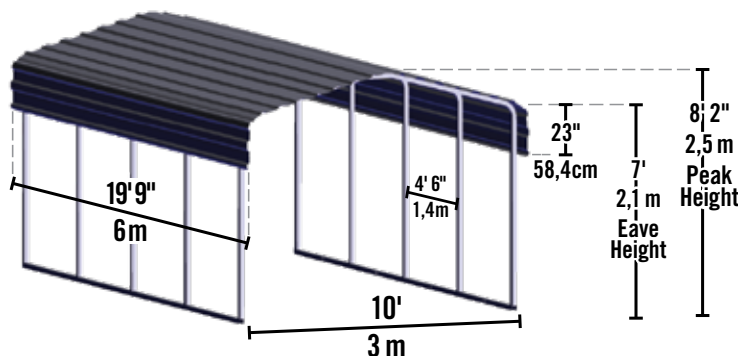
DESIGNED FOR EASY INSTALLATION

Slip-fit frame connections with pilot holes and self-drilling screws for easy assembly. Ready-to-build right out of the box.



BUILT-TO-LAST ROOF

Horizontal roof panels with 29-gauge painted galvanized steel for corrosion resistance. Rounded eaves for additional protection from elements. 10 in. / 25,4 cm overhang at the gables. Charcoal finish.



| | |
|---|----------|
| Wind Speed | 100 MPH* |
| Snow/Ground Load | 35 PSF* |
| * Wind and snow loads given are for reference only and assume a securely anchored frame according to local building codes and ordinances. These have been calculated using combined snow and wind load provisions in accordance with ASCE 7-05. | |

Packaging:

Total Weight:

568 lbs. / 257,6 kg

Total Pallet Weight:

623 lbs. / 282,6 kg

Shipping Dimensions:

5 reinforced boxes on wood pallet

Box 1: 138 lbs. / 62,6 kg

71.1 x 22.2 x 4.3 in.
180,5 x 56,5 x 11 cm

Box 2: 135 lbs. / 61,2 kg

71.1 x 22.2 x 4.3 in.
180,5 x 56,5 x 11 cm

Box 3: 164 lbs. / 74,4 kg

70 x 30.2 x 3.5 in.
177,8 x 76,8 x 8,9 cm

Box 4: 69 lbs. / 31,3 kg

70.9 x 19.7 x 2.2 in.
180 x 50 x 5,5 cm

Box 5: 61 lbs. / 27,7 kg

60.5 x 30.2 x 2 in.
153,7 x 76,8 x 5,1 cm

Total Pallet: 71.5 x 30.2 x 20.8 in.

181,6 x 76,8 x 52,9 cm

40' Container Qty.: 54

48' Trailer Qty.: 70