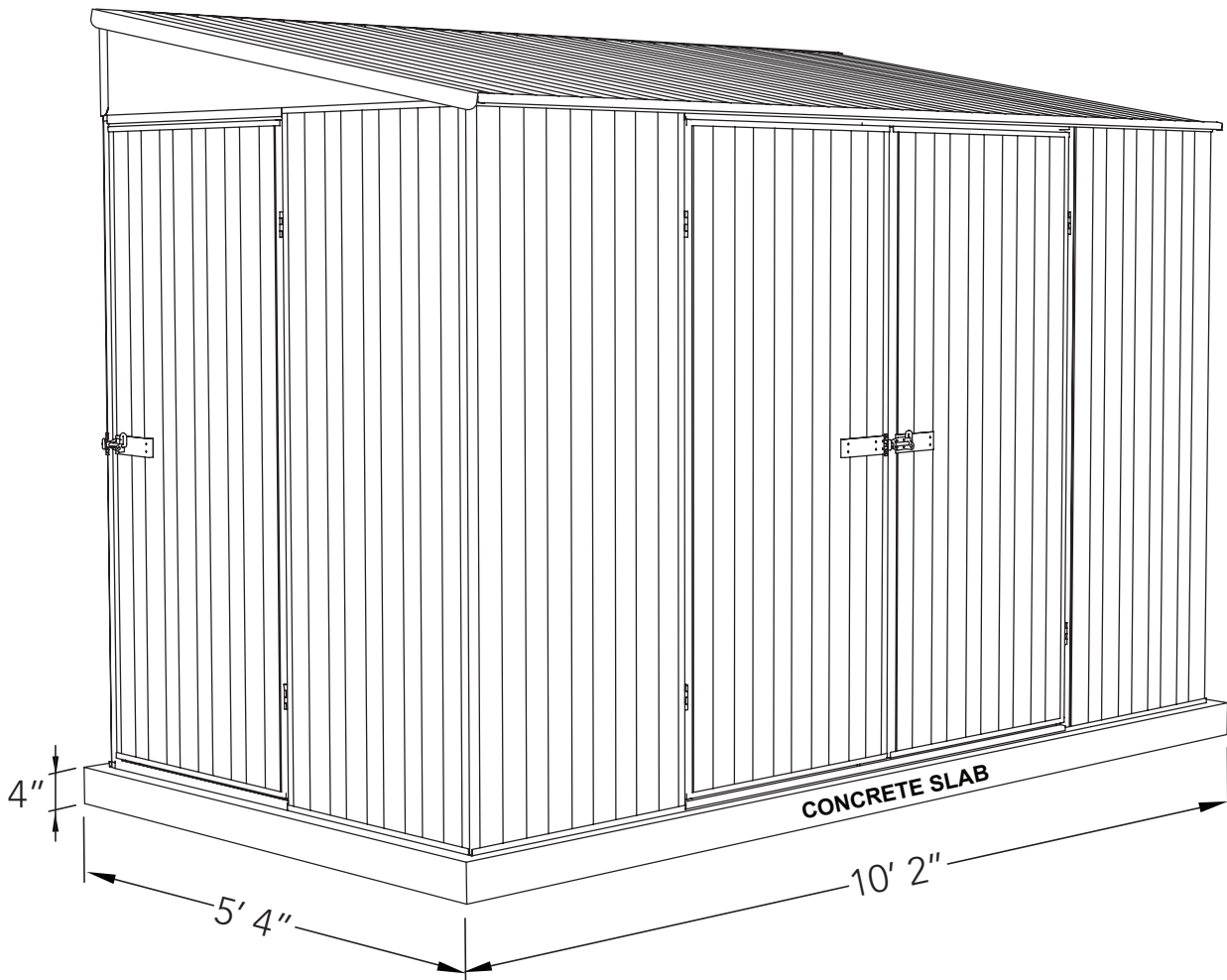


**ASSEMBLY APP AVAILABLE ON**  + 

We highly recommend downloading the Absco Sheds Assembly App to assist with your build.

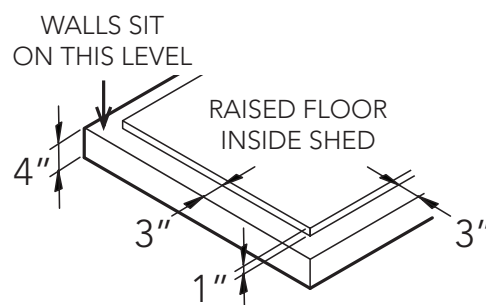


**STEP BY STEP ASSEMBLY VIDEOS • PARTS CHECKLISTS • FAQ • 7 DAY CUSTOMER SERVICE • WARRANTY INFORMATION**



When laying a concrete slab for your shed, it is best practise to have a rebated edge to prevent water ingress.

Rebated section is 1" high and inset 3" on all sides from the overall slab base dimensions



Overall slab base dimensions for this model are as shown above.

Illustration not to scale.

### GENERAL INSTRUCTIONS

- Before commencing any assembly, read through these instructions in detail to gain a thorough understanding of assembly methods and associated details.
- Unpack the carton and carefully identify and check off all the parts against the parts described and illustrated on "COMPONENTS PACKING LIST" pages.

### SITE PREPARATION

- The site for the shed must be level. An uneven surface may result in misalignment of parts.
- The shed shall be erected on top of a reinforced concrete slab and anchored down appropriately illustrated on "FINAL CONSTRUCTION" page.

### SAFETY NOTES

- Some parts may have sharp edges. It is advisable to wear gloves when handling these items and safety glasses if drilling holes. Sensible shoes are highly recommended.
- Do not erect your shed in windy conditions.
- Ensure that the shed is securely anchored to a solid foundation immediately after construction is completed.
- It is highly recommended to erect the shed with two or more people.
- Do not sit, stand or walk on the roof of your shed.

### RECOMMENDED



Personal protective equipment for tools



Hand Protection



Enclosed Shoes

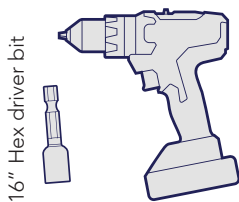


Raised work surface. EG Sawhorses and timbers



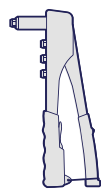
Heavy and/or bulky. Multi-person lift or mechanical aid.

### TOOLS REQUIRED



5/16" Hex driver bit

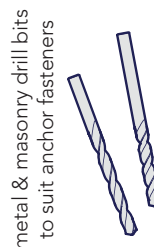
Cordless drill



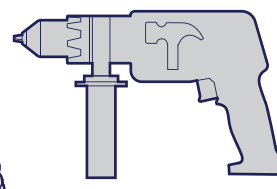
Pop riveter



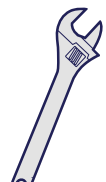
Ladder



metal & masonry drill bits to suit anchor fasteners



Hammer drill



Shifter

### NUMBER OF PEOPLE REQUIRED



2 - 3 people

### NUMBER OF HOURS REQUIRED



Approx. 7 hours

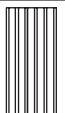
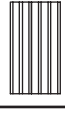
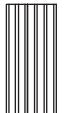
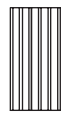
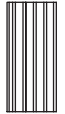
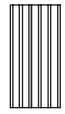
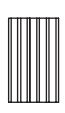

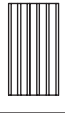

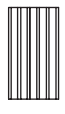
### ASSEMBLY DIFFICULTY

Basic

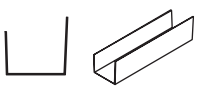
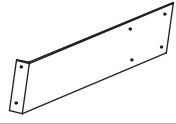
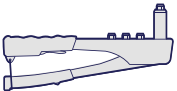
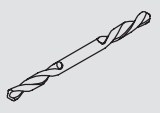
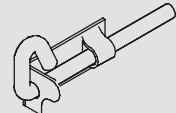
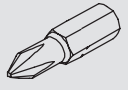
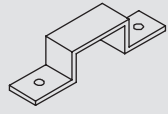
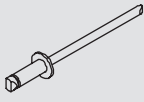

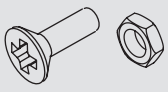
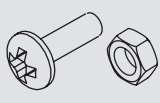


Complex

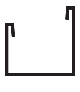
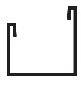


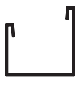























**SHEETING AND LARGE COMPONENTS**

QTY	DESCRIPTION	PART #	CHK	QTY	DESCRIPTION	PART #	CHK
1	 STEEL SHEET 6' 8" x 2' 6 7/16"	H30		2	 STEEL SHEET 5' 7 29/32" x 2' 6 7/16"	DOOR B	
2	 STEEL SHEET 6' 8" x 2' 6 7/16"	H31		1	 STEEL SHEET 5' 10 9/32" x 2' 6 7/16"	30A	
1	 STEEL SHEET 6' 8" x 2' 6 7/16"	H29		1	 STEEL SHEET 5' 10 9/32" x 2' 6 7/16"	30H	
4	 STEEL SHEET 5' 3 3/8" x 2' 6 7/16"	43K		1	 GABLE RIGHT 4'10"	16R	
3	 STEEL SHEET 5' 10" x 2' 3 15/16"	34A		1	 GABLE LEFT 4'10"	16L	
1	 STEEL SHEET 5' 7 29/32" x 2' 6 7/16"	DOOR A					

**FITTINGS PACK**

QTY	DESCRIPTION	PART #	CHK	QTY	DESCRIPTION	PART #	CHK
6	 CHANNEL JOINER 7 7/8"	CSJ		3	 DOOR STRAP	12A	
1	 POP RIVETER	RIVET GUN					
1	SINGLE DOOR FITTINGS PACK	PSTK SNG		1	DOUBLE DOOR FITTINGS PACK	PSTK DBL	
2	 1/8" DRILL BIT	DRILL		4	 DOOR PADBOLT	FAST 006	
2	 PHILLIPS DRIVER BIT	FAST 038		3	 PADBOLT HASP	FAST 007	
18	 POP RIVET	FAST 009		2	 SELF TAPPING SCREW 8G PACK QTY 220	FAST 001	
18	 3/16" FLAT HD BOLT & NUT	FAST 004 & 005		8	 3/16" ROUND HD BOLT & NYLOC NUT	FAST 002 & 003	


**CHANNEL PACK**

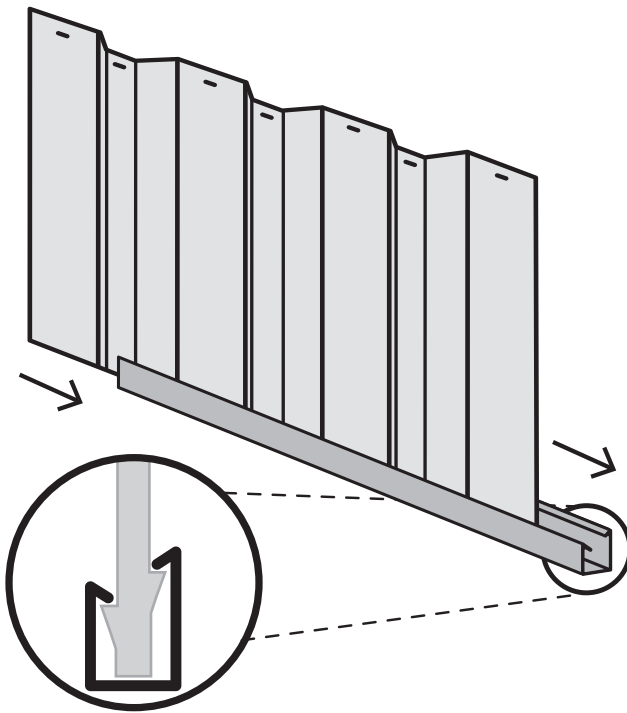
QTY	DESCRIPTION	PART #	CHK	QTY	DESCRIPTION	PART #	CHK
1	 CHANNEL L = 4' 11 <sup>19</sup> / <sub>32</sub> "	53B		1	 CHANNEL L = 4' 11 <sup>19</sup> / <sub>32</sub> "	77G	
3	 CHANNEL L = 5' 7 <sup>29</sup> / <sub>32</sub> "	58A		1	 CHANNEL L = 5' 1 <sup>23</sup> / <sub>32</sub> "	79A	
2	 CHANNEL L = 5' 7 <sup>29</sup> / <sub>32</sub> "	58B		1	 CHANNEL L = 2' 6 <sup>27</sup> / <sub>32</sub> "	79C	
6	 CHANNEL L = 2' 6 <sup>7</sup> / <sub>16</sub> "	58C		1	 CHANNEL L = 5' 10 <sup>5</sup> / <sub>16</sub> "	80D	
1	 CHANNEL L = 4' 11 <sup>19</sup> / <sub>32</sub> "	77F		1	 CHANNEL L = 4' 11 <sup>19</sup> / <sub>32</sub> "	81F	
1	 CHANNEL L = 4' 10 <sup>29</sup> / <sub>32</sub> "	55AL		1	 CHANNEL L = 4' 10 <sup>29</sup> / <sub>32</sub> "	55AR	
1	 CHANNEL L = 4' 10 <sup>29</sup> / <sub>32</sub> "	55BL		1	 CHANNEL L = 4' 10 <sup>29</sup> / <sub>32</sub> "	55BR	
1	 CHANNEL L = 4' 10 <sup>29</sup> / <sub>32</sub> "	55CL		1	 CHANNEL L = 4' 10 <sup>29</sup> / <sub>32</sub> "	55CR	
2	 CHANNEL L = 4' 10 <sup>29</sup> / <sub>32</sub> "	81AL		2	 CHANNEL L = 4' 10 <sup>29</sup> / <sub>32</sub> "	81AR	
1	 CHANNEL L = 4' 10 <sup>29</sup> / <sub>32</sub> "	81BL		1	 CHANNEL L = 4' 10 <sup>29</sup> / <sub>32</sub> "	81BR	
3	 JAMB L = 5' 10 <sup>5</sup> / <sub>16</sub> "	89A		1	 JAMB L = 5' 1 <sup>23</sup> / <sub>32</sub> "	90A	
1	 JAMB L = 5' 10 <sup>5</sup> / <sub>16</sub> "	89B		1	 JAMB L = 2' 6 <sup>28</sup> / <sub>32</sub> "	90C	
1	 JAMB L = 5' 7 <sup>29</sup> / <sub>32</sub> "	89C		6	 JAMB L = 3' 8 <sup>3</sup> / <sub>32</sub> "	91A	
2	 LIP TRIM L = 5' 3 <sup>3</sup> / <sub>8</sub> "	88J		2	 LIP TRIM L = 10 <sup>3</sup> / <sub>16</sub> "	88P	

## SNAPTITE ASSEMBLY GUIDE

The Snaptite Assembly System locks end channels to all roof and wall sheets without the need for tools and fasteners.

To assemble each panel, the perimeter channels are secured to the top and bottom of each panel. Gently tap the channel over the SNAPTITE lugs on the sheet, working along the sheet.

Each perimeter channel must finish flush with the edges of the sheets. Simply tap the channel along the sheets until each end is neatly flush. If you need to remove channels from the panels, slide it off from the side.



**SNAPTITE**  
World's Easiest Assembly System  
*UNIQUE PATENTED SYSTEM*

Channel locks the shed panel into position without the need for screws!

### FASTENING SYMBOLS

 SNAPTITE

Secure channel to sheeting by SNAPTITE fastening method.



Join components together with one screw at this location only, as some channels have extra holes that are not required for this model of shed.



Do not join components together at this location yet, as the screws may obstruct further assembly of the other components.



Join components together by pre-drilling the holes first. Use one component as template to mark where the holes are and drill with a 1/8" drill bit.



1/8" pop rivet



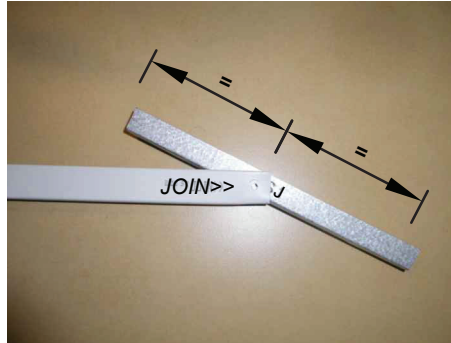
3/16" nut and bolt set.

## Guide on Joining Spliced Channels

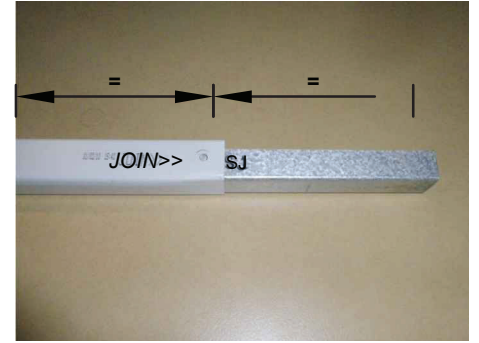
The text marked on all parts must be shown on the same side as each other



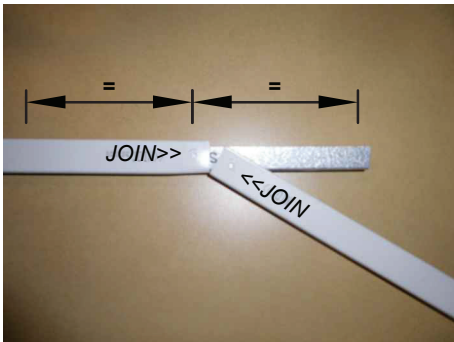
**Step 1.**  
Position the channels and the CSJ joiner so the centre of the CSJ is in line with the end of each channel to be joined together.



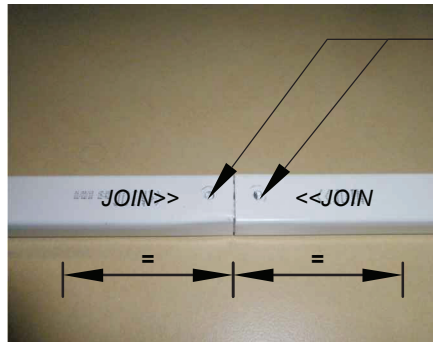
**Step 2.**  
Join the first channel to the CSJ by inserting the centre of the CSJ, on an angle, to the end of the channel where the JOIN>> text is marked.



Push down one side of the CSJ until you hear a 'click'.

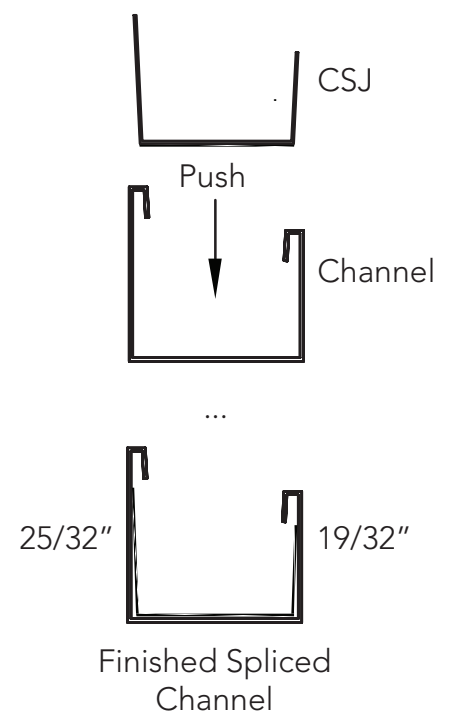


**Step 3.**  
Join the second channel to the CSJ by positioning the <<JOIN of the channel at the centre of the CSJ, on an angle. Push the CSJ into the channel until you hear a 'click'.



**Finished Channel.**  
The joined channels should now look like the picture with the CSJ positioned equally inside of the joined channels.

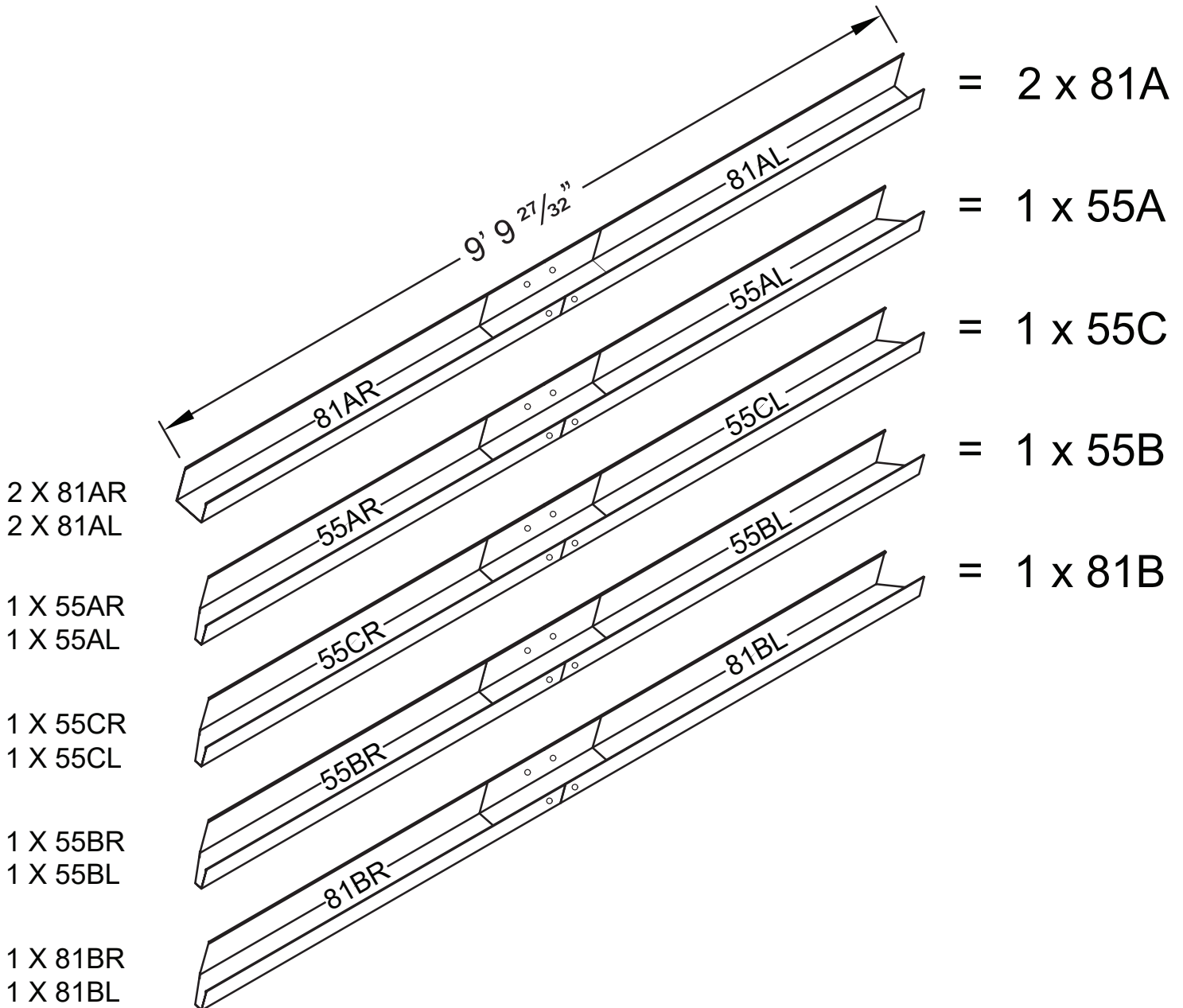
Drill out holes with 1/8" drill bit in CSJ to match the holes in channel. Drilling of screws on the joined channels is being done after sheets are locked on the spliced channels.



## PRE-ASSEMBLY OF SPLICED CHANNELS

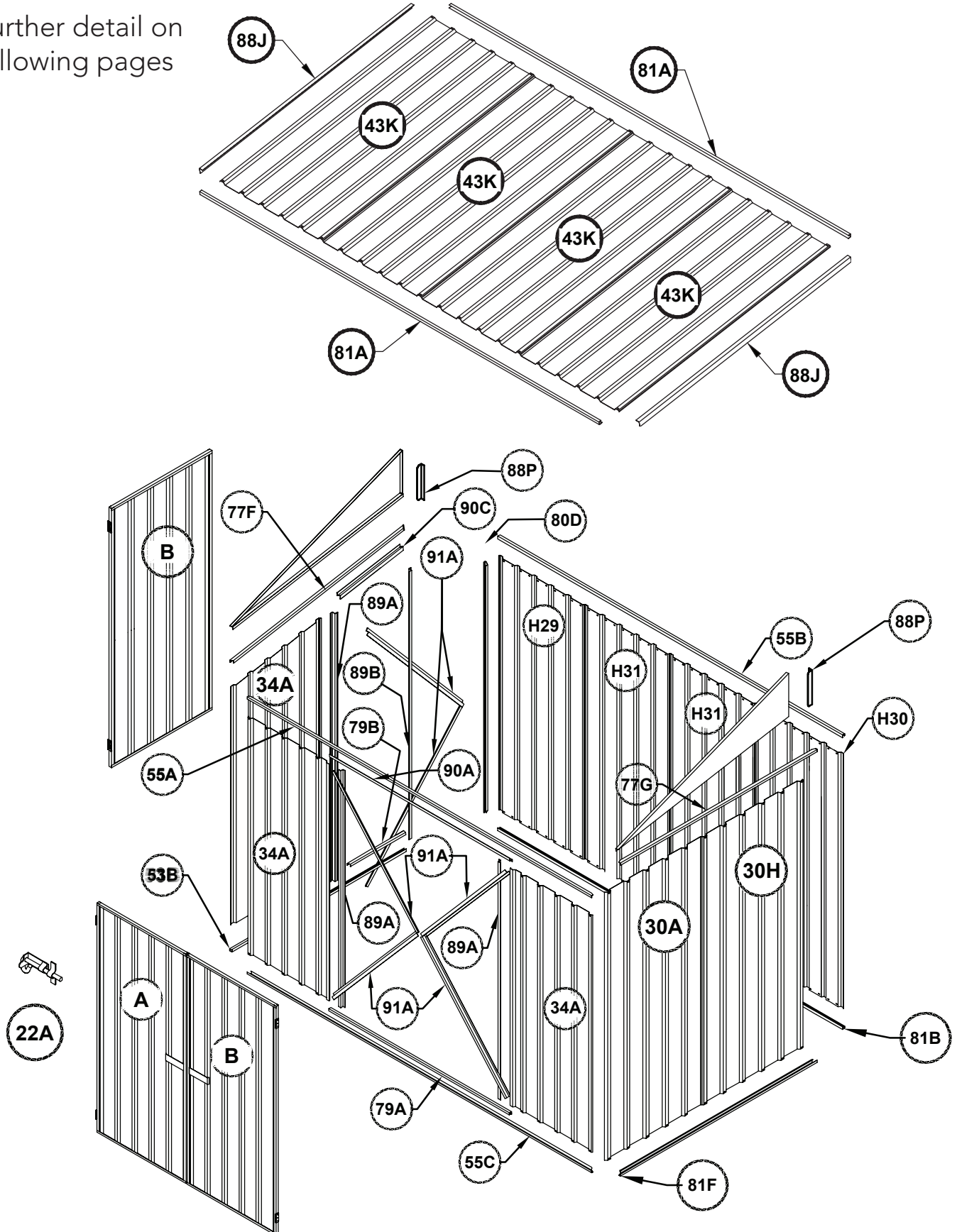
Join together 12x channel sections using 6x channel joiners (Part CSJ)

NOTE: Some channels may have holes in them - You will need to redrill holes where CSJ joining channel covers them.



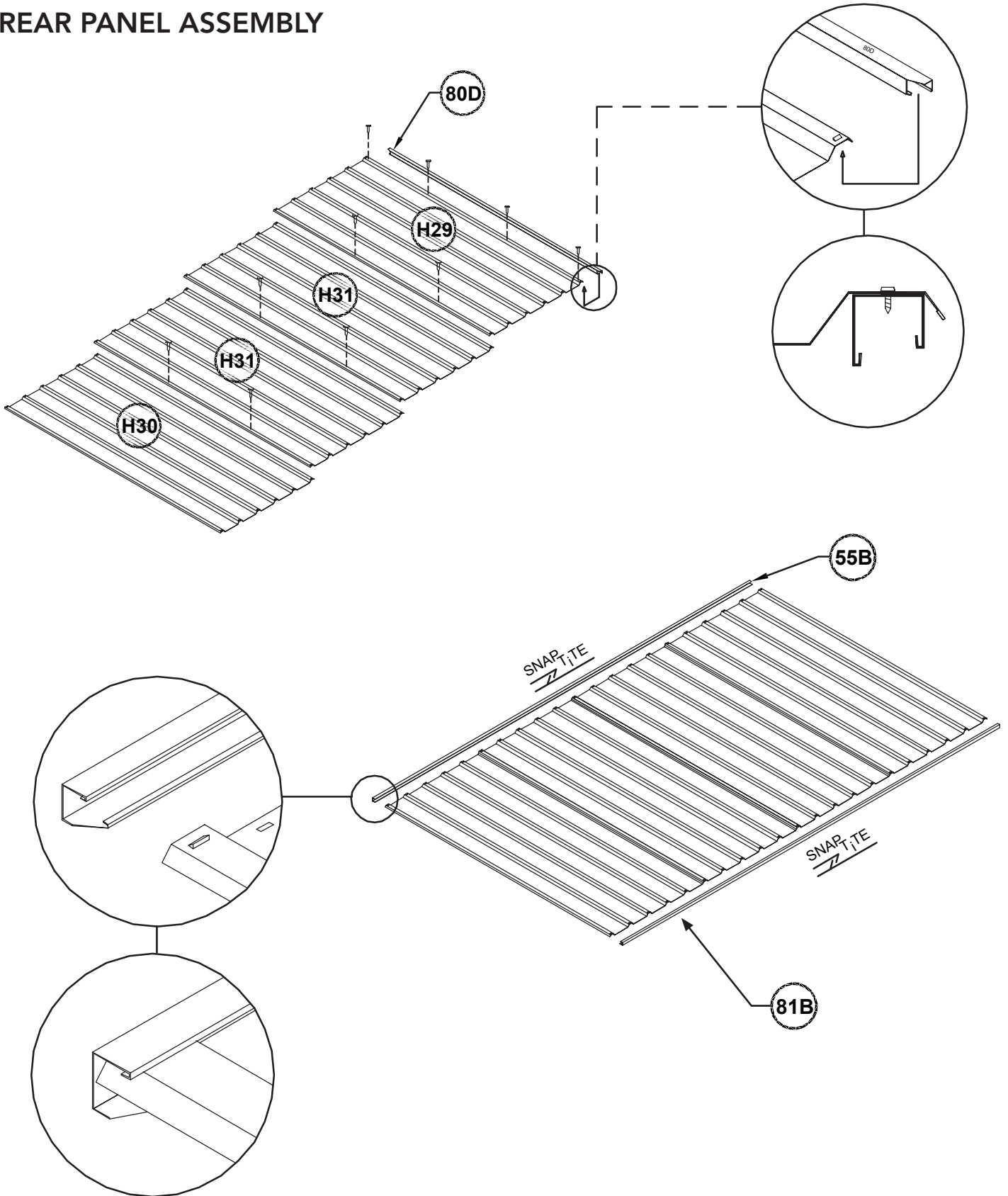
**WALL AND ROOF OVERVIEW**

Further detail on following pages



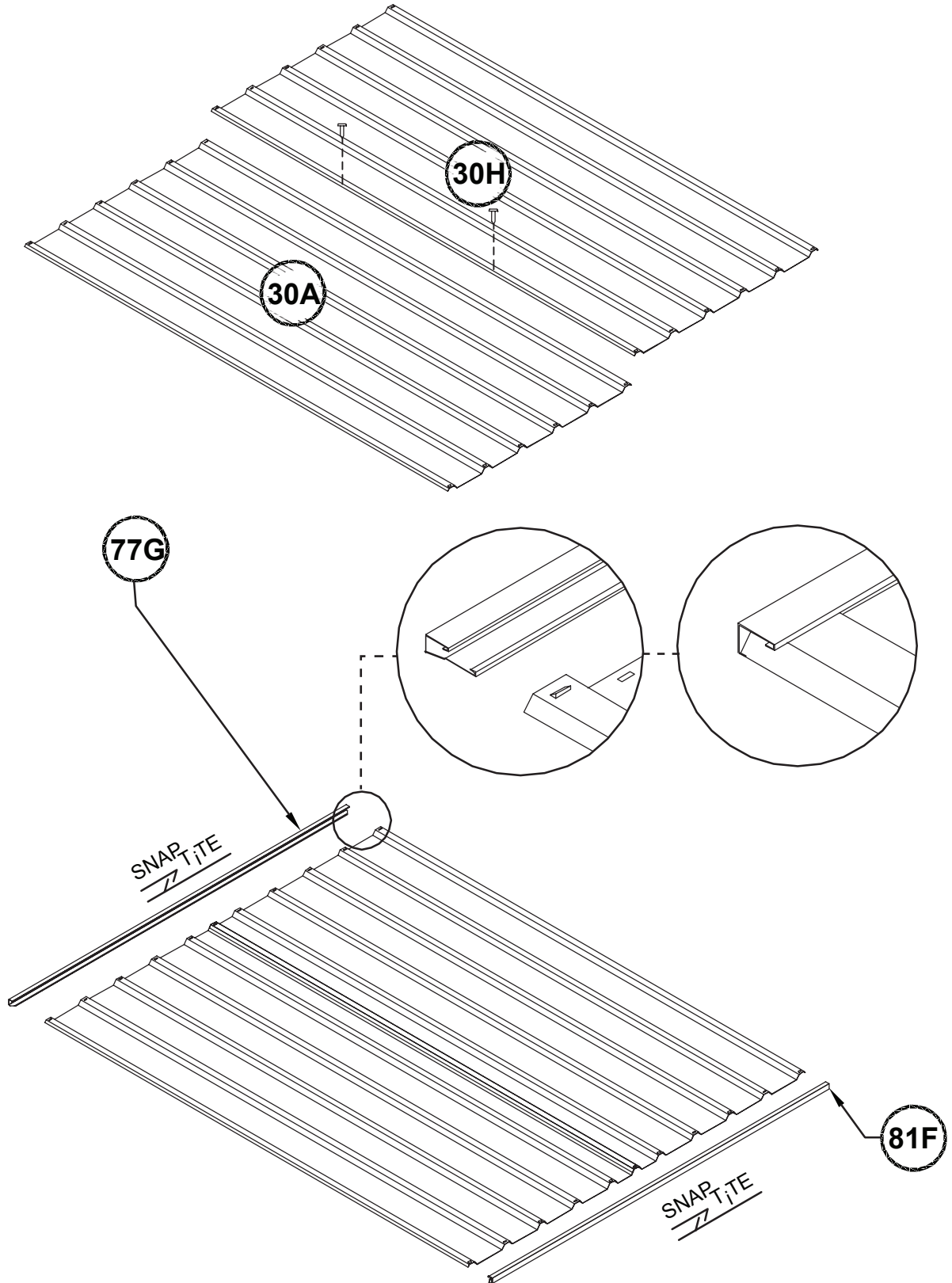


**REAR PANEL ASSEMBLY**



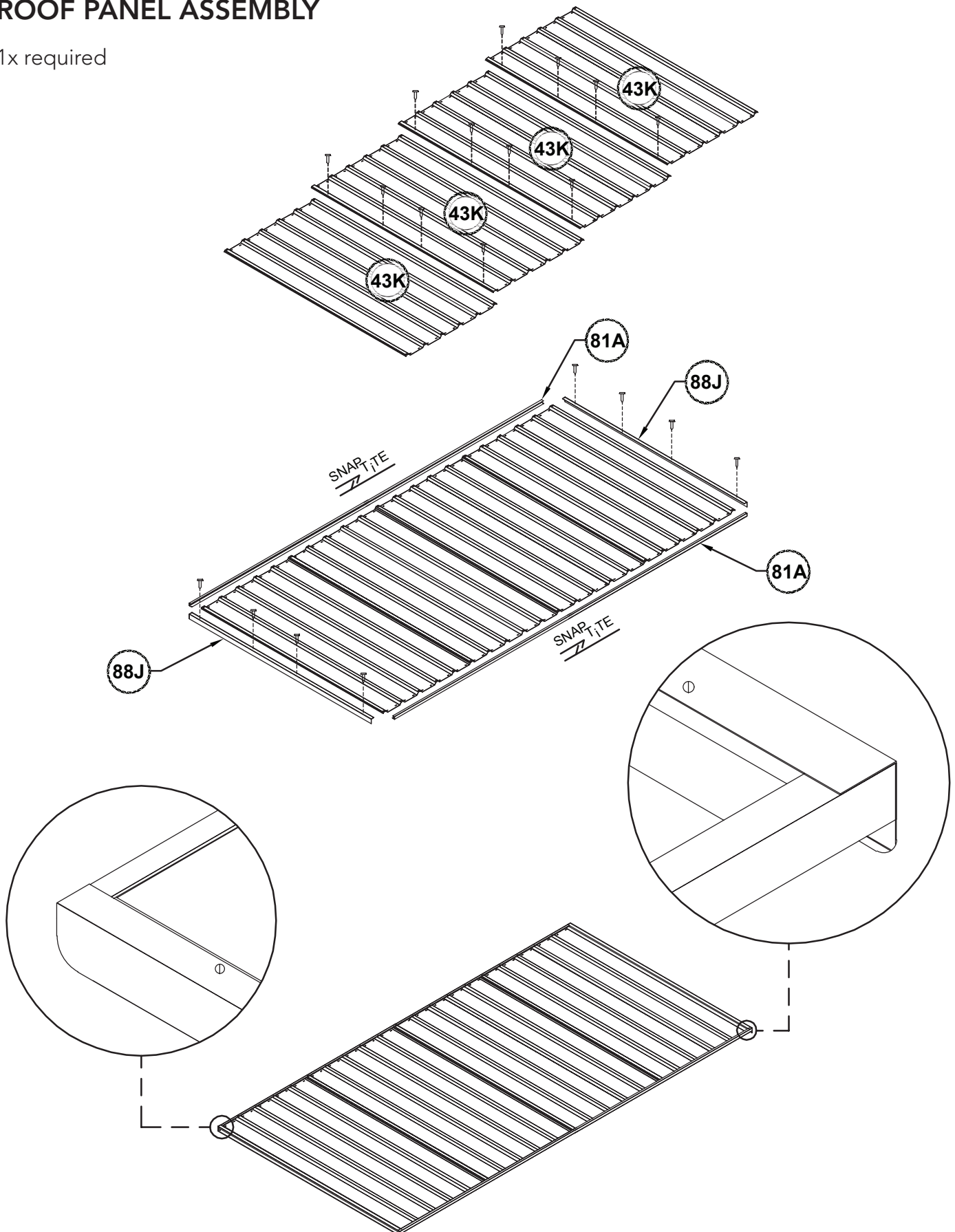
## RIGHT SIDE PANEL ASSEMBLY

1x required



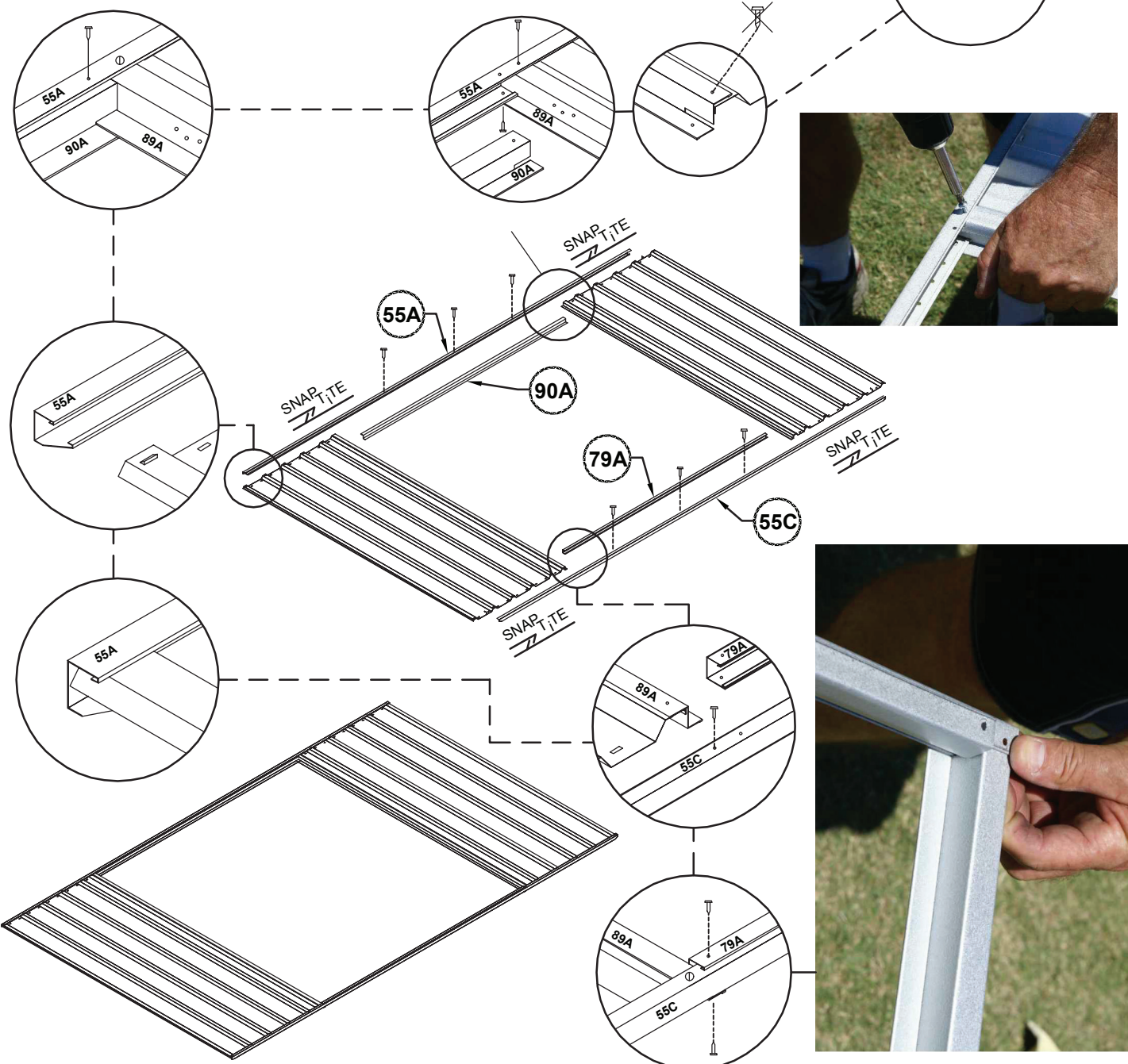
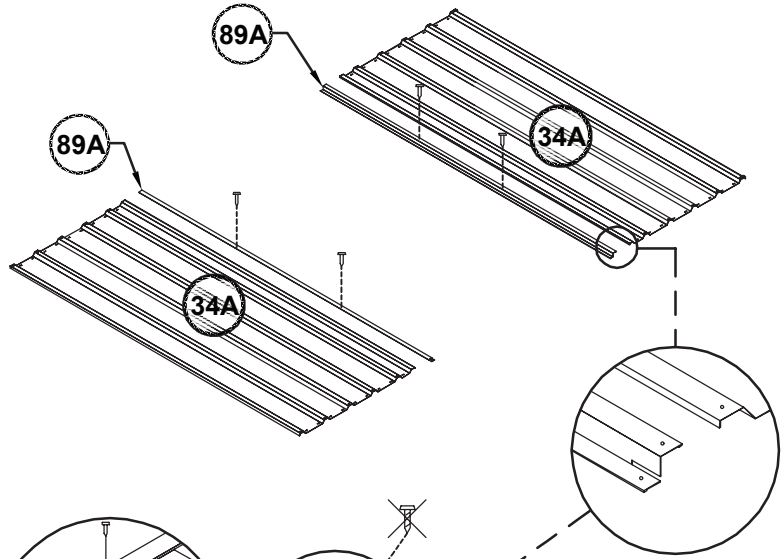
## ROOF PANEL ASSEMBLY

1x required

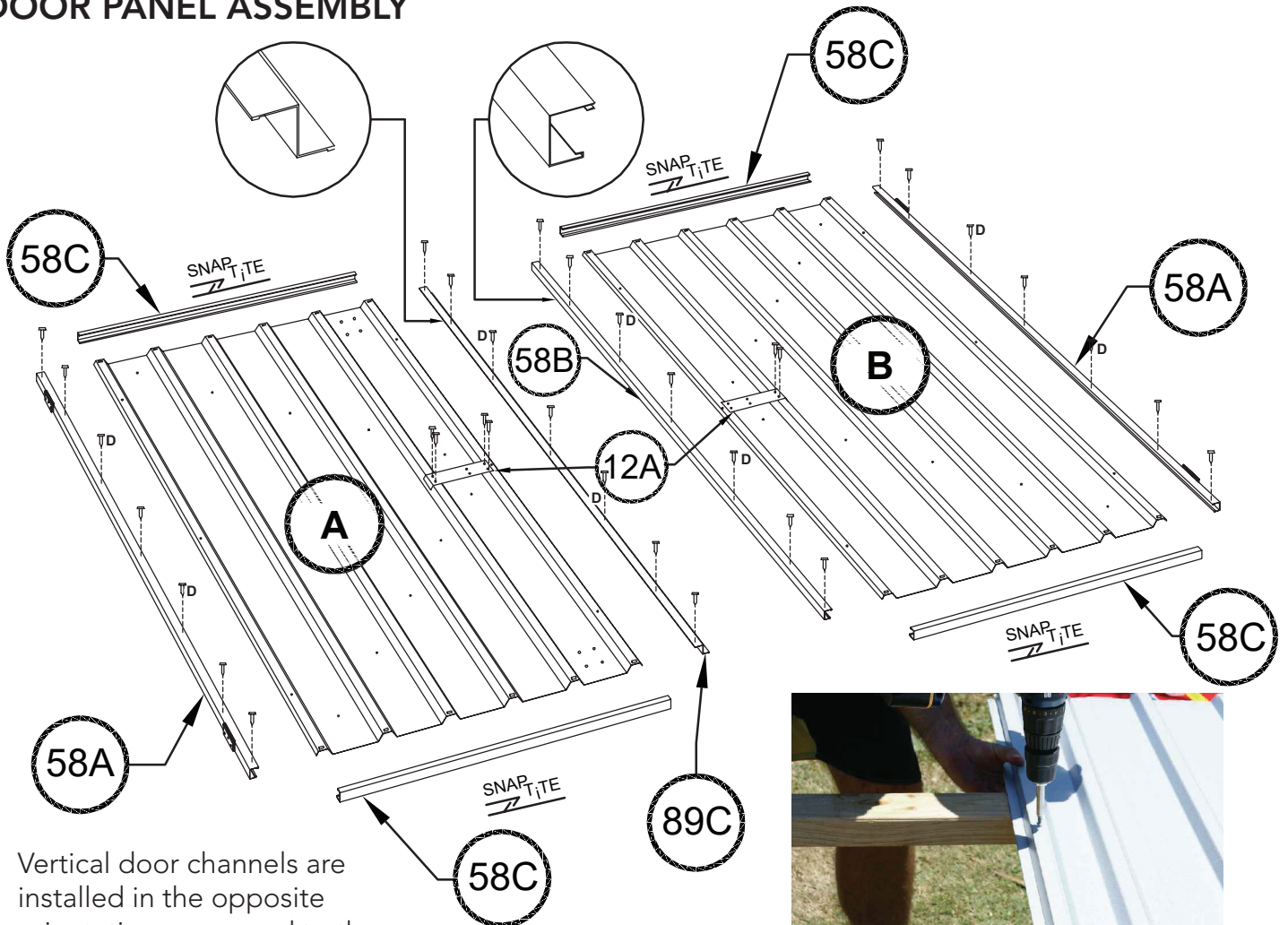


**FRONT PANEL ASSEMBLY**

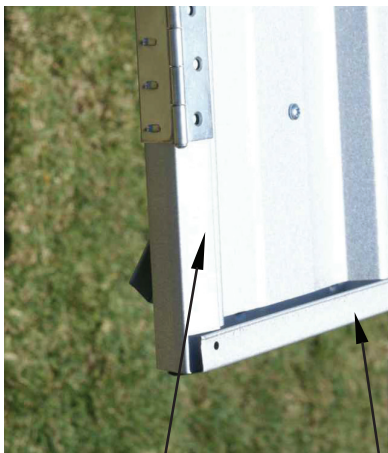
1x required



**DOOR PANEL ASSEMBLY**

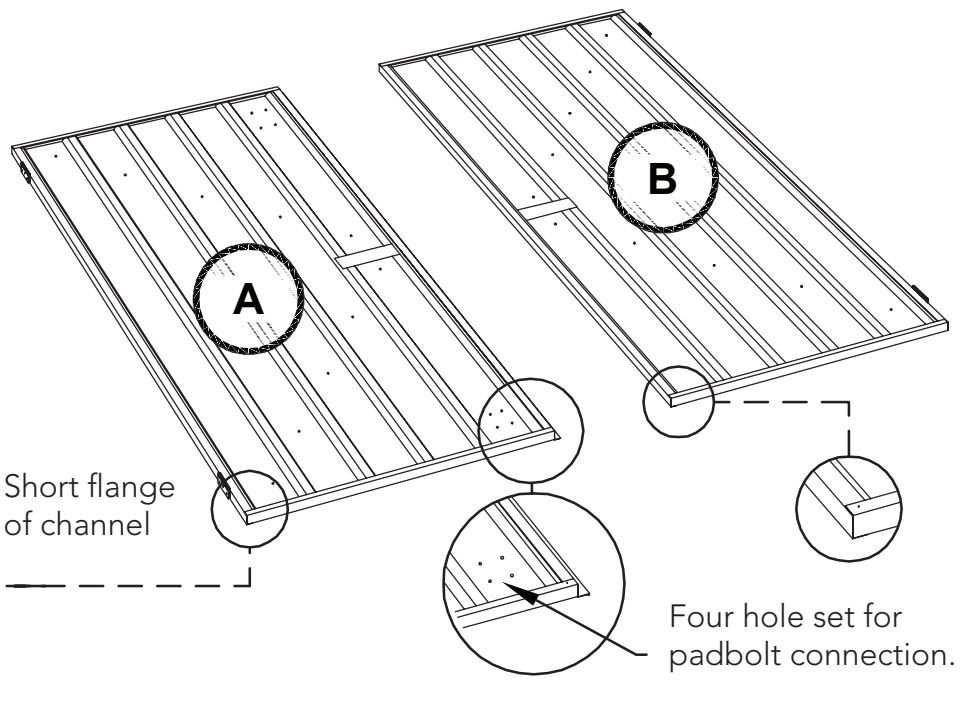


Vertical door channels are installed in the opposite orientation compared to the horizontal door channels.



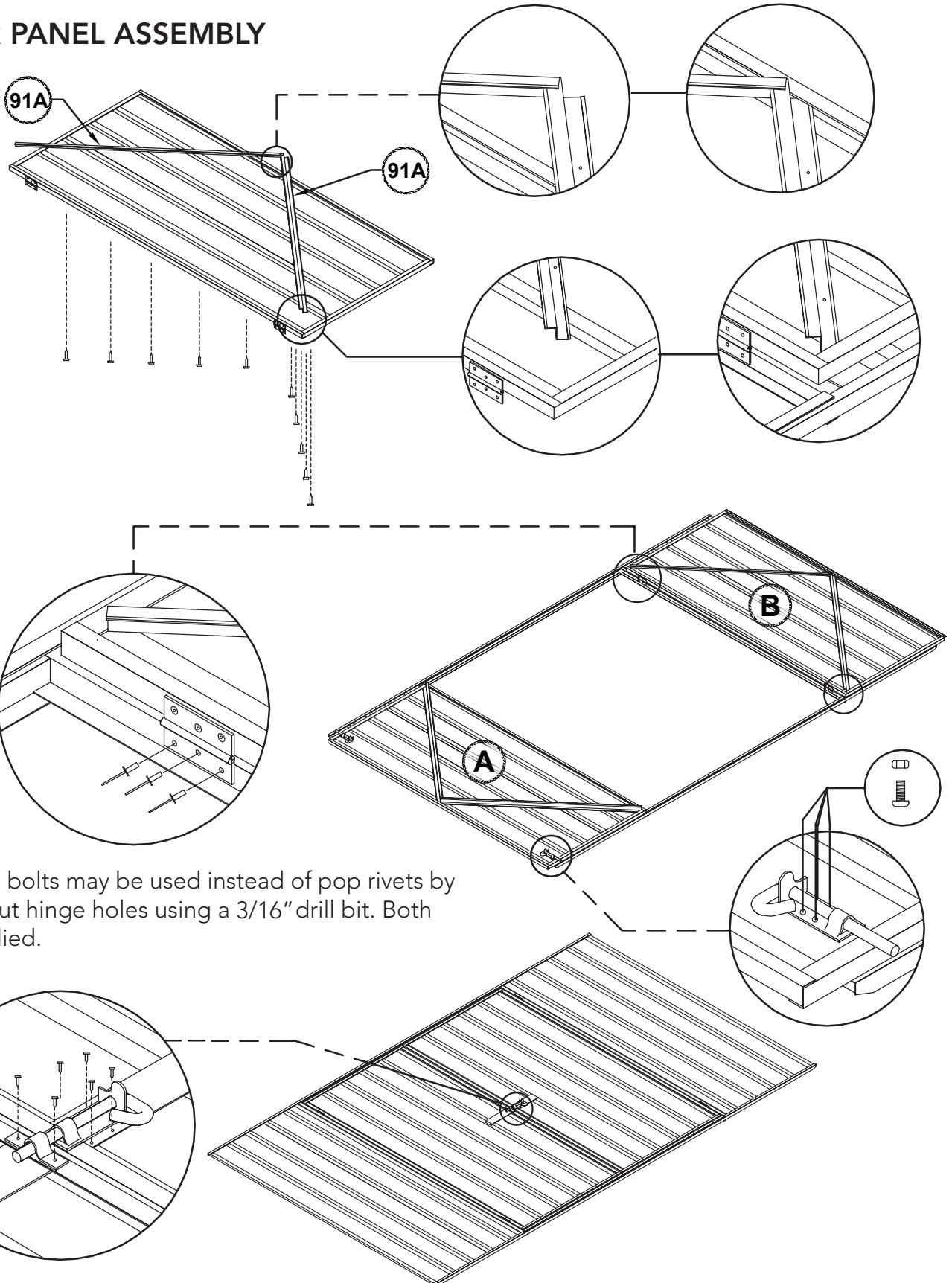
Long flange of channel

Short flange of channel



Four hole set for padbolt connection.

## DOOR PANEL ASSEMBLY

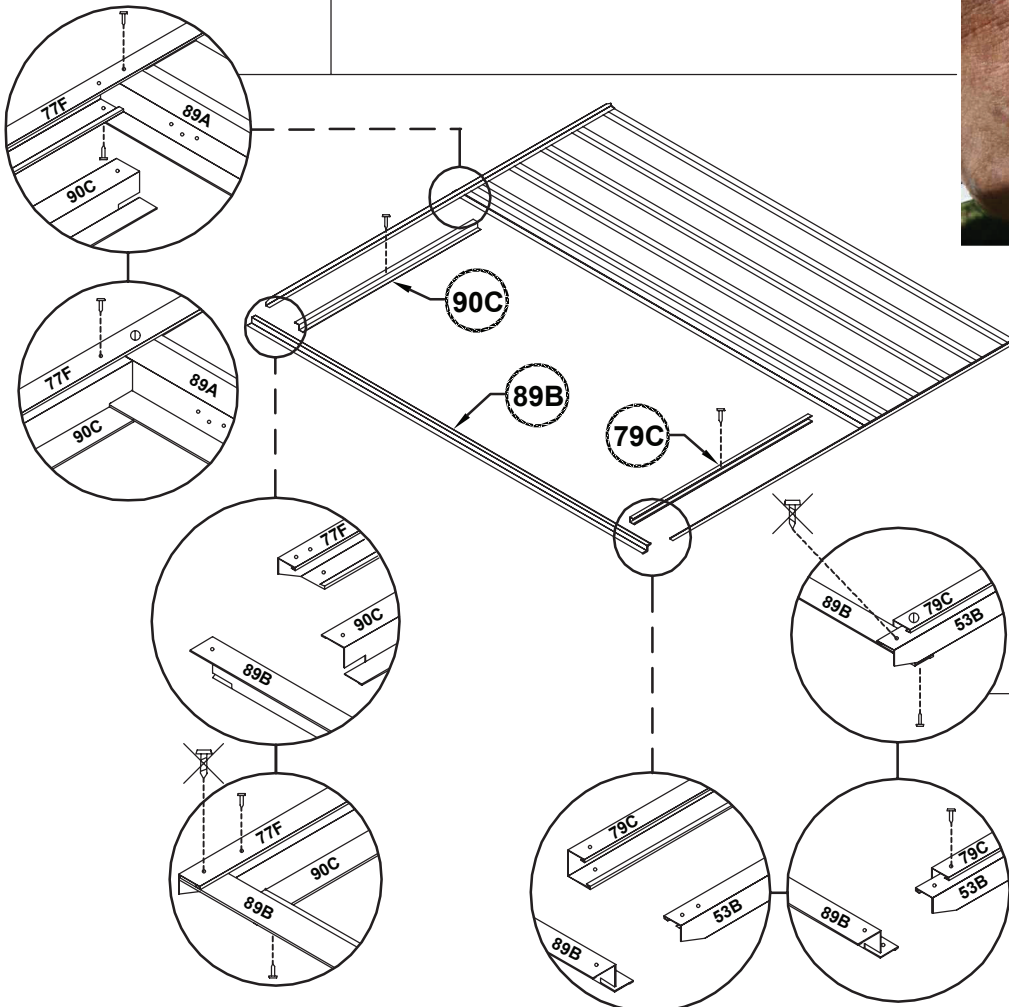
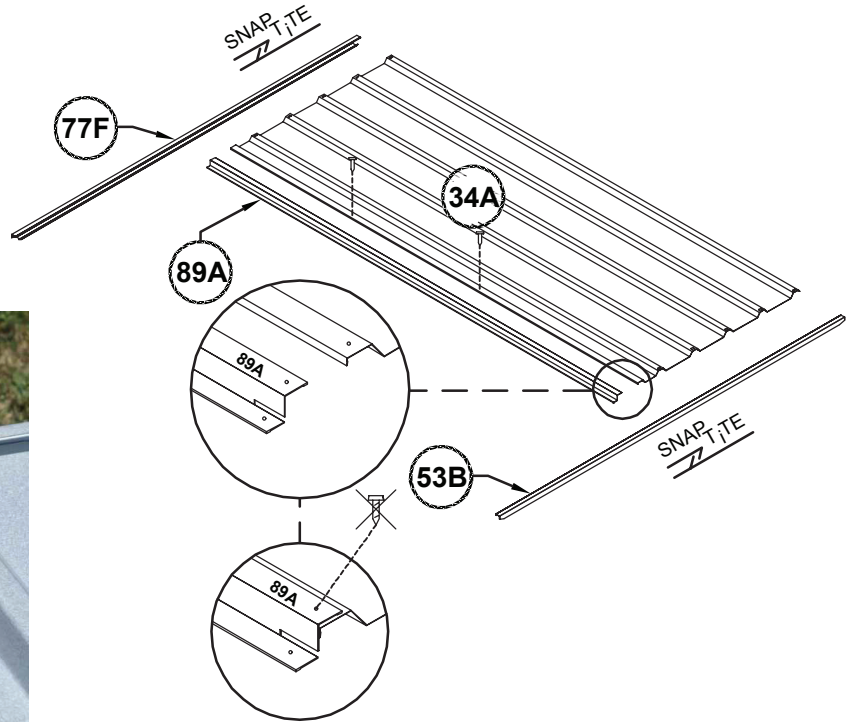


Nuts and bolts may be used instead of pop rivets by drilling out hinge holes using a 3/16" drill bit. Both are supplied.

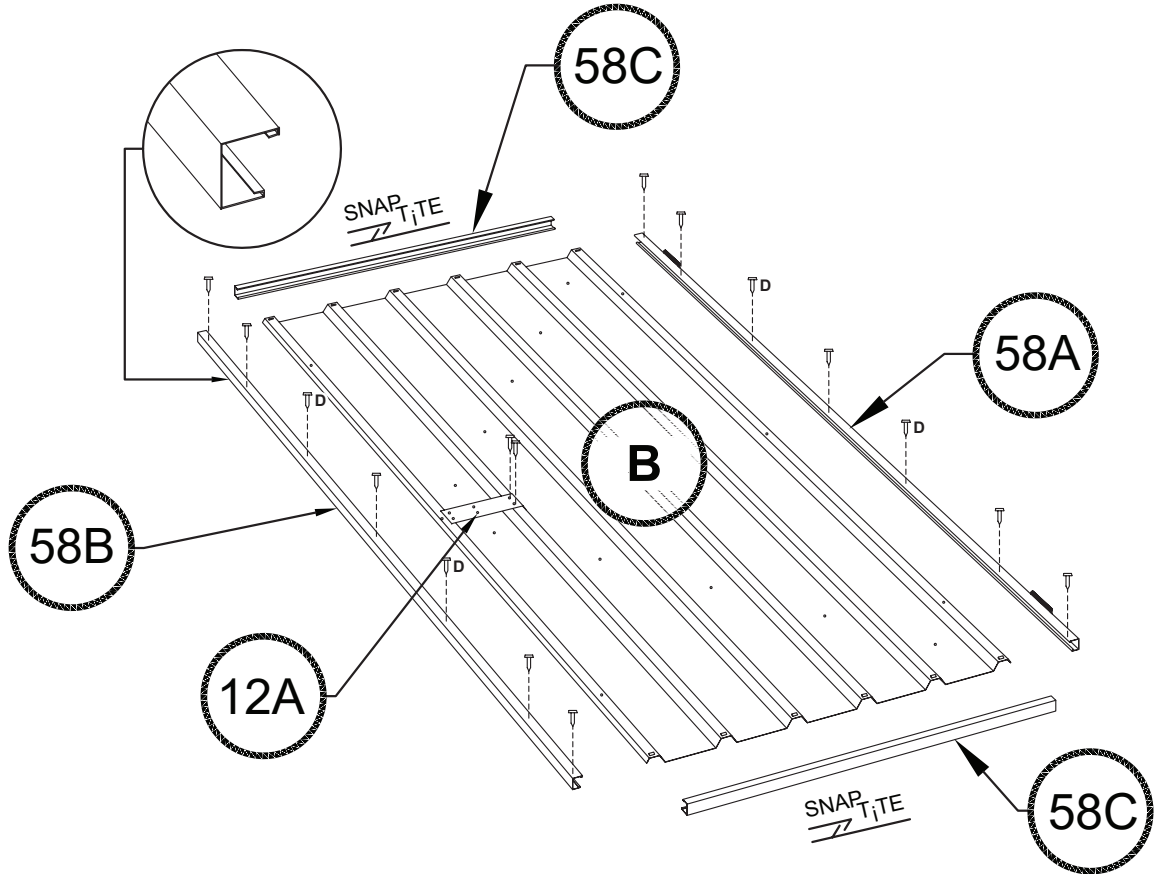
The two holes required to connect the padbolt hasp for each door have not been pre-punched, to allow for proper alignment, position each hasp centrally over the padbolt shaft and drill 1/8" holes and secure with screws.

## LEFT SIDE PANEL ASSEMBLY

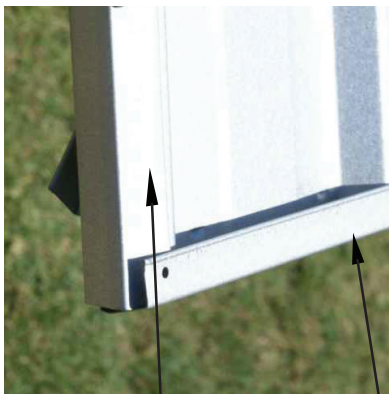
1x required



**DOOR PANEL ASSEMBLY**  
**SINGLE DOOR**

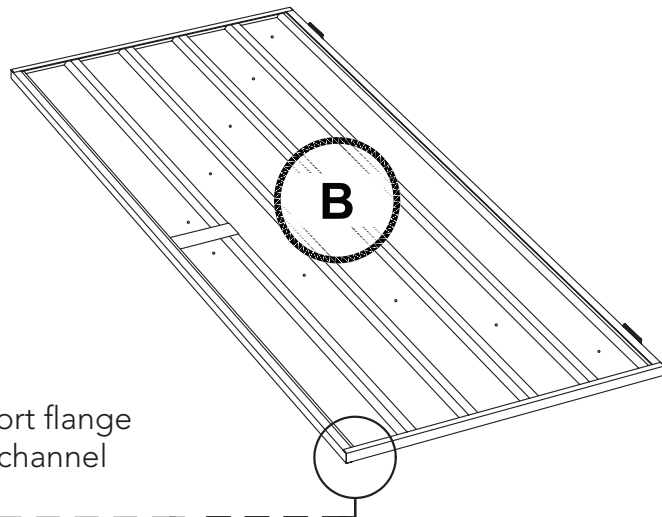
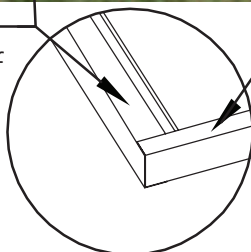


Vertical door channels are installed in the opposite orientation compared to the horizontal door channels.



Long flange of channel

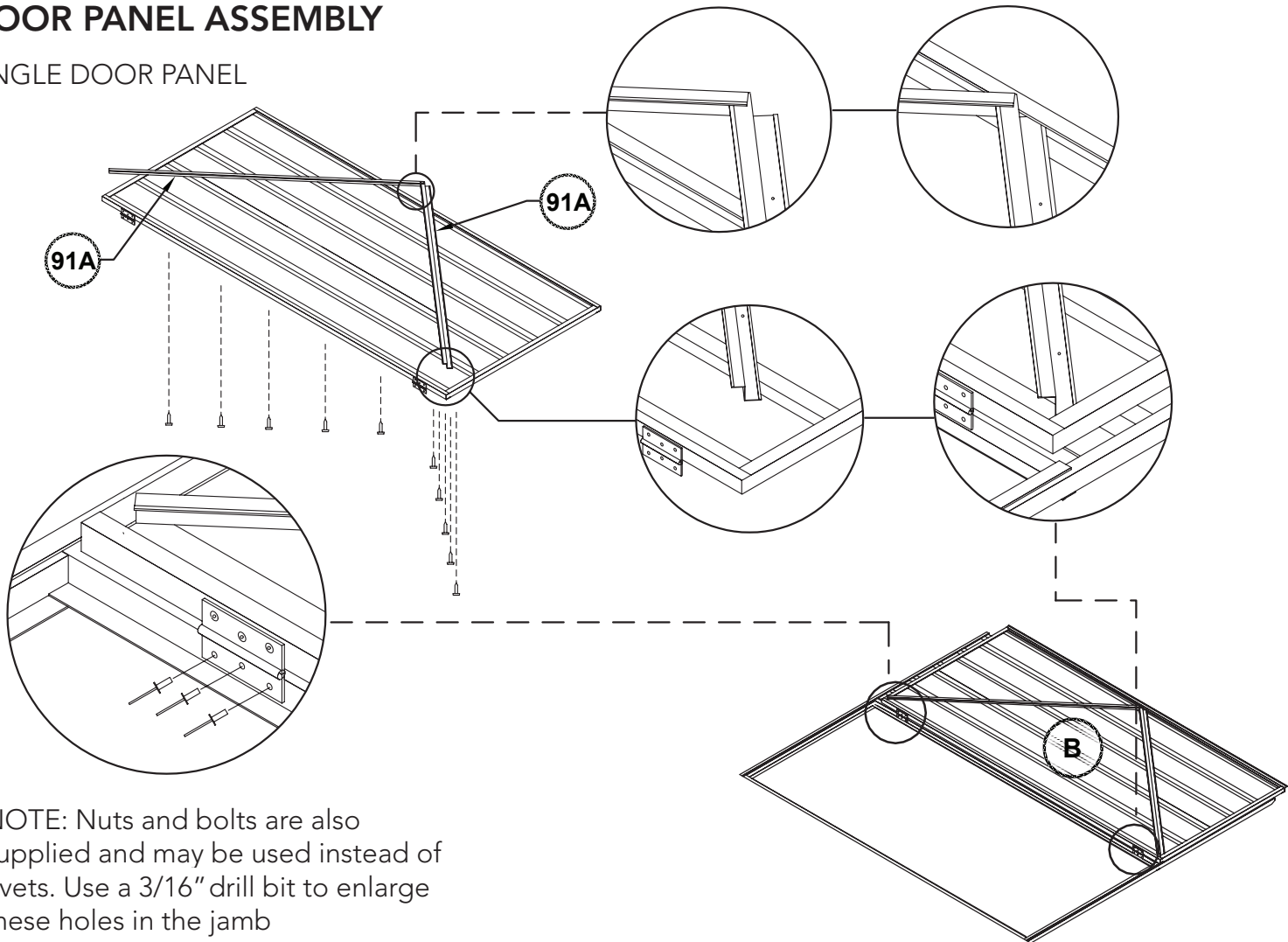
Short flange of channel





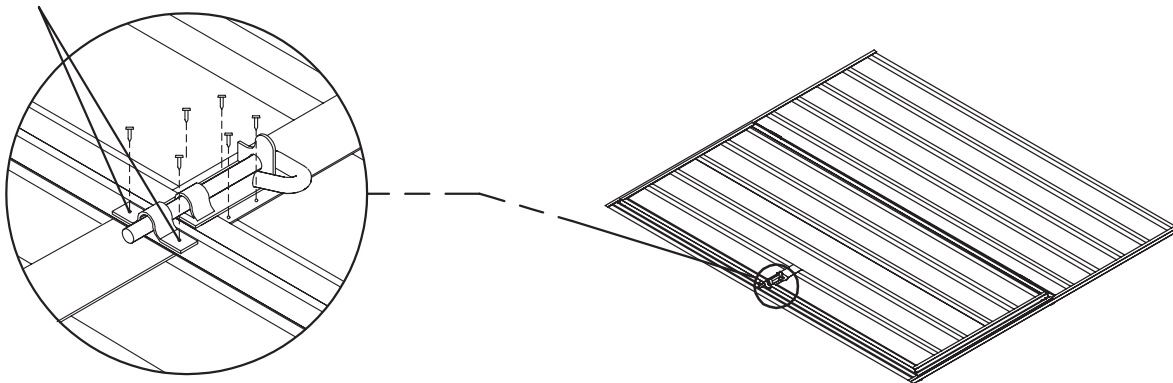
## DOOR PANEL ASSEMBLY

### SINGLE DOOR PANEL



NOTE: Nuts and bolts are also supplied and may be used instead of rivets. Use a 3/16" drill bit to enlarge these holes in the jamb

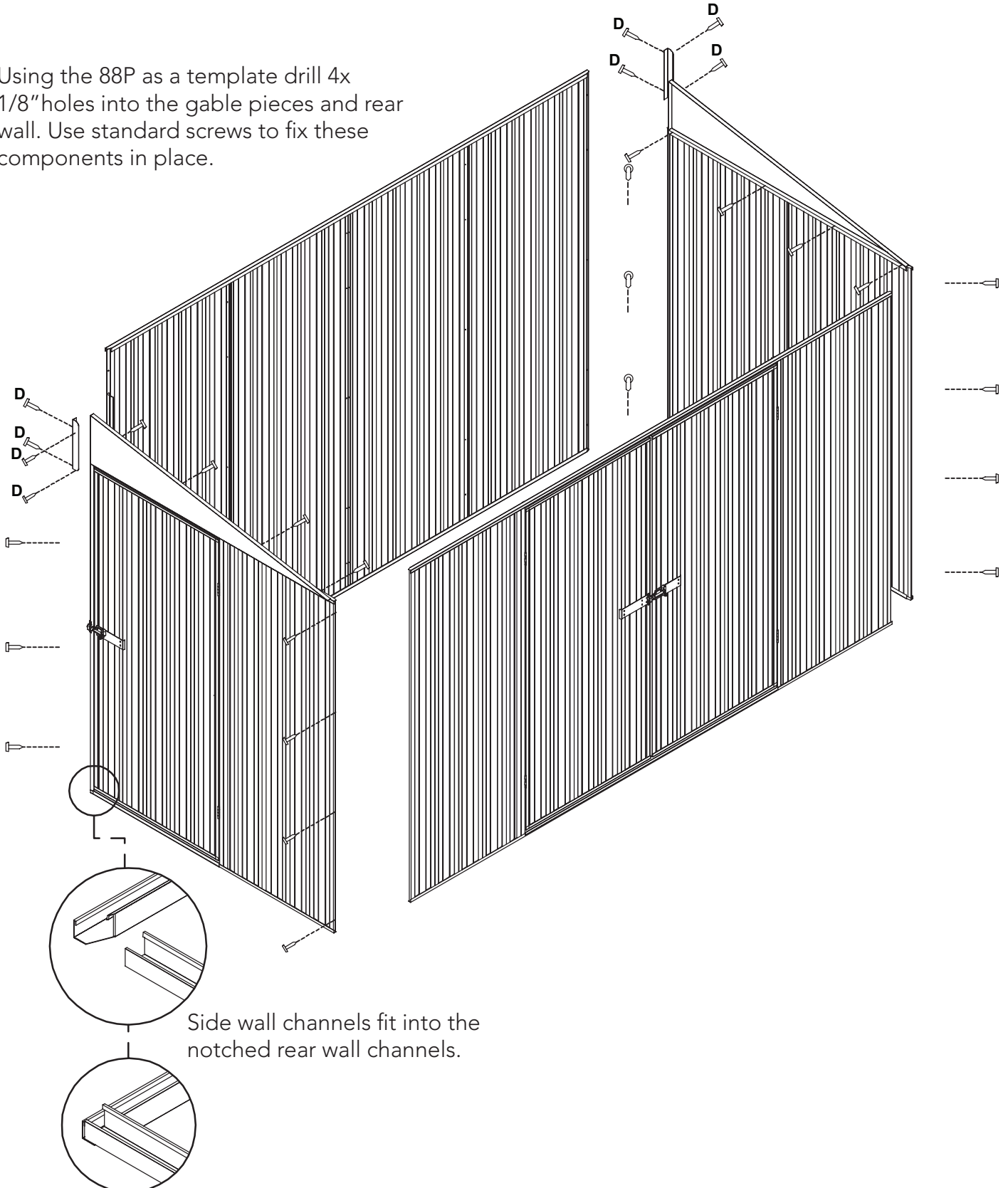
NOTE: The holes to fasten the padbolt hasp are not pre-punched to allow for proper alignment. Position the hasp centrally over the padbolt shaft and drill 1/8" holes and secure with screws.



## PANEL CONSTRUCTION

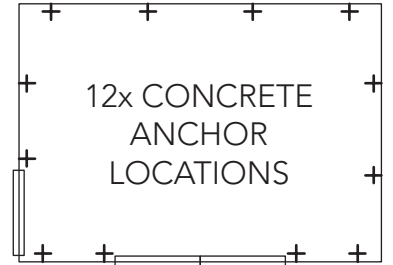
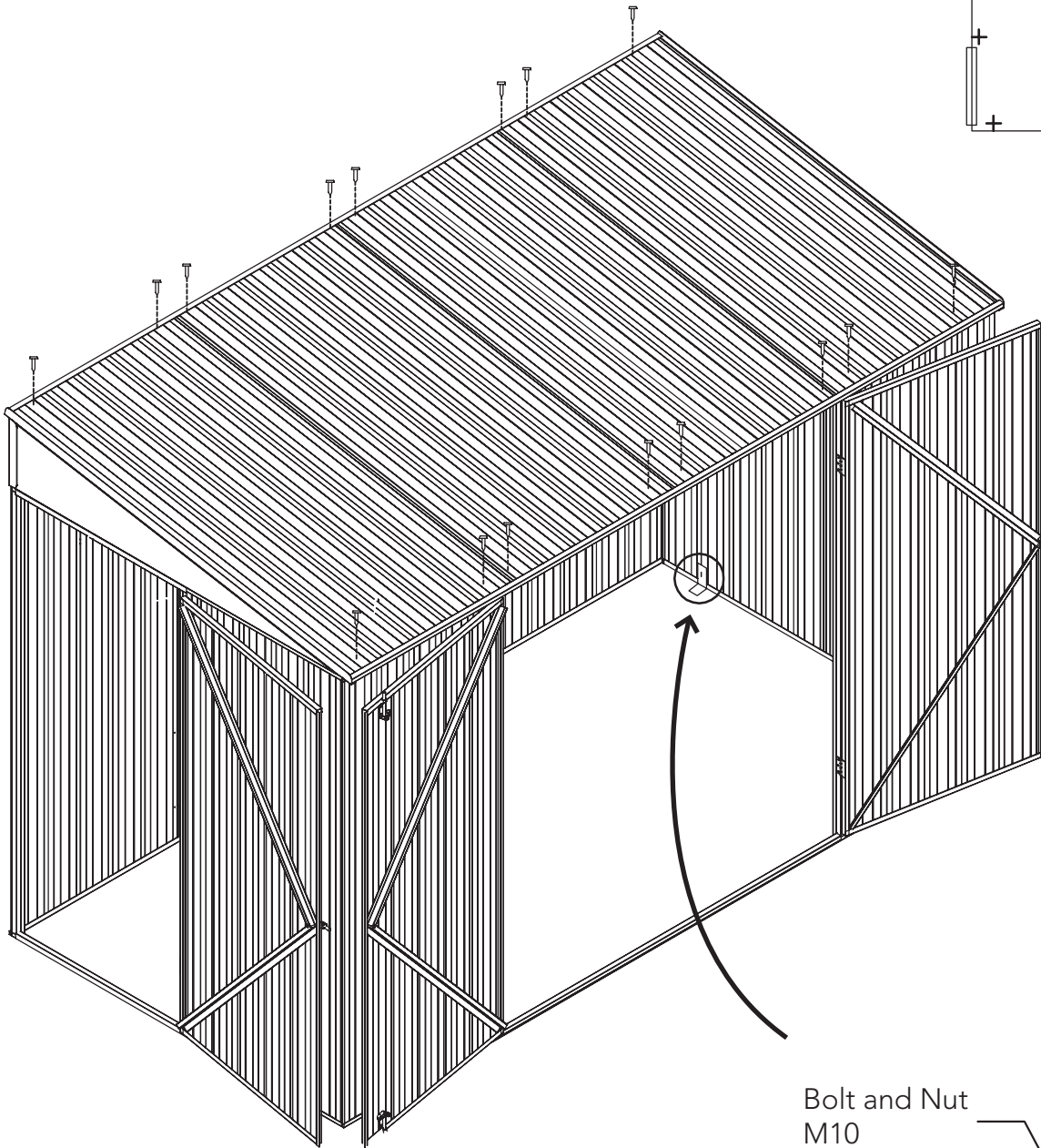
NOTE: Take care to ensure that all wall panels are not upside down. The top channels of each panel are pre-punched for attaching roof sheeting. The base channels are not pre-punched.

Using the 88P as a template drill 4x 1/8" holes into the gable pieces and rear wall. Use standard screws to fix these components in place.

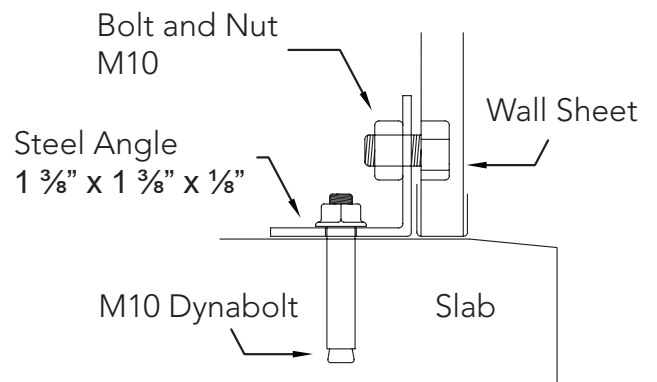


**FINAL CONSTRUCTION**

**ANCHORING OF SHED**



Each anchor consists of one nut, bolt, M10 dynabolt and steel angle.  
Drill a 1/2" hole into the wall sheet.  
Drill a 10mm (13/32") hole into the concrete.



## EXPORT PRODUCT WARRANTY AGAINST DEFECTS

### Congratulations on your purchase of an ABSCO SHED

ABSCO SHEDS, including garden sheds, garden beds, aviaries, storage units, garages, awnings and carports are made using high quality Australian made steel.

We are pleased to advise we warrant that the steel coating will not rust, crack, flake peel or blister for 12 years from date of purchase.

This warranty does not apply to surface deterioration of panels caused by 'Swarf' (Tiny particles of steel debris left from cutting, grinding or drilling operations) that has not been removed after building construction, or as a result of contact with damp soil, chemicals, fertilisers or other corrosive substances.

This warranty covers any Absco product used for normal domestic use and installed in accordance with the installation instructions.

This warranty does NOT cover Damage caused by storms, wind, rain, snow or poor foundations.

This warranty does NOT cover ABSCO products installed in severe coastal, industrial or other highly corrosive environments. The warranty does not cover fasteners (screws, nuts, bolts, rivets, hasps or sliding padbolts).

The warranty is limited to replacement and delivery of components and does not include any labour or installation costs. The benefits given by the warranty are in addition to your other rights and remedies under a law in relation to the goods or services to which the warranty relates.

In the unlikely event a warranty claim is made, it must be supported by photographic evidence and details of the defect, including component part numbers, together with proof of purchase documentation (or on-line registration of purchase) and forwarded to the address below. Upon receipt of the warranty claim, the Customer Service Manager will contact you within three business days to advise you of the assessment outcome of the claim, which may include your expenses incurred in making the claim.

THE CUSTOMER SERVICE MANAGER, ABSCO SHEDS, PO BOX 119 ACACIA RIDGE QLD AUSTRALIA 4110

PHONE: +1 (866) 788 3046      EMAIL: [warranty@absco.com.au](mailto:warranty@absco.com.au)

Issued 16 July 2019