

Shed & Storage Series Shed-in-a-Box RoundTop®

10 ft. x 10 ft. x 8 ft. 3 x 3 x 2,4 m



ShelterLogic®

We've Got You Covered.
North America's #1 Shelter Manufacturer.

Model #70435

Package Includes:

- Steel Frame
- (1) Gray Fitted Cover
- (1) Double-Zippered Door Panel
- (1) Solid Rear Panel
- (9) ShelterLock® 3X Steel Stabilizers
- (4) 15" / 38,1 cm Auger Anchors
- Easy Step-by-Step Instructions

Packaging Specifications:

- Container qty: 426
- Total box weight: 102.9 lbs. / 46,7 kg
- Box dimensions: 48 x 21.7 x 6.3 in. 122 x 55 x 16 cm

New Shed-in-a-Box RoundTop®. Big Quality Features. Value Priced.



HIGH GRADE STEEL FRAME
1-3/8 in. / 3,5 cm diameter steel construction with premium powder coat finish resists chipping, peeling, rust and corrosion.



RIPSTOP TOUGH FABRIC COVER
7.5 oz psm triple layer woven polyethylene is heat sealed not stitched for maximum water resistance. UV treated inside, outside and in between with added fade blockers.



SHELTERLOCK® 3X STEEL STABILIZERS
Patent-Pending ShelterLock® 3X Steel Stabilizers ensure rock solid stability. Delivers a stable, more durable shelter.



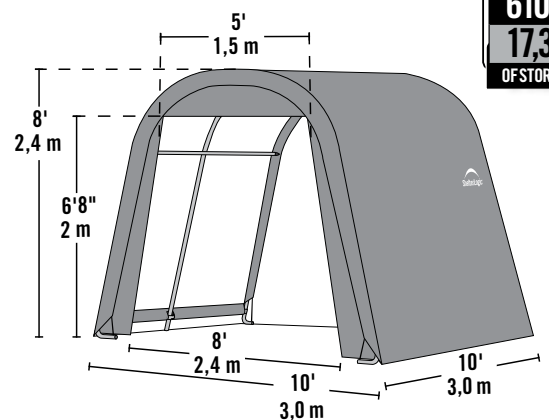
EASY SLIDE CROSS RAIL™
Best in class feature for continuous cover tightening. Locks down and squares up frame.



RATCHET TITE™ COVER TENSIONING
Ensures drum tight cover and door panel connection to shelter frame. Quality ratchet and web strap components keep cover tight and neat looking.



Great For: Motorcycles, ATVs, Lawn/Garden, Tractors, Snowmobiles, Bulk Storage



610 cu. ft.
17,3 m³
OF STORAGE!