



**LIFETIME**

**90240**

**COPY**

ID

## REGISTER YOUR PRODUCT ONLINE AT [WWW.LIFETIME.COM](http://WWW.LIFETIME.COM)

At Lifetime, we are committed to providing innovative and quality products. While registering, you will have the opportunity to give us your feedback. Your input is valuable to us.

- You can also opt in to receive new product notifications or promotions.
- In the unlikely event of a product recall or safety modification, your registration provides the information we need to notify you directly.
- Registration is fast, easy, and completely voluntary.

### LIFETIME'S PROMISE TO YOU:

*Maintaining your privacy is our long-standing policy at Lifetime. And you can rest assured that Lifetime will not sell or provide your personal data to other third parties, or allow them to use your personal data for their own purposes.*

We invite you to read our privacy policy at [www.lifetime.com](http://www.lifetime.com)

**REGISTER today!**

## REGISTRE SU PRODUCTO EN LÍNEA EN [WWW.LIFETIME.COM](http://WWW.LIFETIME.COM)

À Lifetime®, estamos comprometidos a proporcionar productos de calidad e innovadores. Al registrar, tendrá la oportunidad de darnos su opinión. Su opinión es muy valiosa para nosotros.

- Se puede optar inclusión también para recibir notificaciones de nuevos productos o promociones.
- En el caso poco probable de una retirada de un producto o modificación de seguridad, su registro nos provee la información necesario de notificarle directamente.
- El registro es rápido, fácil, y completamente voluntario.

### LA PROMESA DE LIFETIME® A USTED:

*Mantener su privacidad, es nuestro viejo acuerdo político a Lifetime®. Y puede tener la seguridad de que Lifetime® no venderá o proveerá sus datos personales a otros terceros, ni permitirles usar sus datos personales para sus propias intenciones.*

Le invitamos a leer nuestra política de privacidad en [www.lifetime.com](http://www.lifetime.com)

**¡REGÍSTRELO hoy!**

## ENREGISTREZ VOTRE ARTICLE EN LIGNE CHEZ NOUS À [WWW.LIFETIME.COM](http://WWW.LIFETIME.COM)

À Lifetime, nous sommes engagés à fournir des produits innovants et de qualité. Lors de l'enregistrement, vous aurez l'occasion de nous donner votre avis. Vos remarques sont précieuses pour nous.

- Vous pouvez aussi vous engager pour recevoir notifications d'articles nouveaux et promotions.
- En cas improbable de retrait de produit du marché ou de modification affectant la sécurité, votre enregistrement nous fournit l'information nécessaire de vous contacter directement.
- L'enregistrement est rapide, simple, et complètement volontaire.

### LA PROMESSE DE LIFETIME À VOUS :

*À Lifetime, l'entretien de votre confidentialité est notre politique de longue date. Et vous pouvez être sûr que Lifetime ne vendra pas ou fournir vos données personnelles à d'autres tiers, ou de les permettre d'utiliser vos données personnelles à leur propres fins.*

Nous vous invitons à lire notre politique de confidentialité à [www.lifetime.com](http://www.lifetime.com)

**ENREGISTREZ aujourd'hui !**



## SAFETY INSTRUCTIONS



### FAILURE TO FOLLOW THESE WARNINGS MAY RESULT IN SERIOUS INJURY OR PROPERTY DAMAGE AND WILL VOID WARRANTY.

To ensure safety, do not attempt to assemble this product without following the instructions carefully. Check entire box and inside all packing material for parts and/or additional instruction material. Before beginning assembly, read the instructions and identify parts using the hardware identifier and parts list in this document. Proper and complete assembly, use and supervision are essential to reduce the risk of accident or injury.

- Two capable adults are required for assembly.

*Most injuries are caused by misuse and/or not following instructions. Use caution when using this product.*

### **\*\*U.S. and Canada customers ONLY\*\***

#### **IF ASSISTANCE IS NEEDED, DO NOT CONTACT THE STORE!**

**CALL OUR CUSTOMER SERVICE DEPARTMENT at 1 (800) 225-3865**

HOURS: 7:00 a.m. to 5:00 p.m. Monday through Friday (Mountain Standard Time)

**\*\*Call, or visit our Web site for Saturday hours\*\***

**\*\*For customers outside the U.S. or Canada, please contact the store for assistance.\*\***



## INSTRUCTIONS DE SÉCURITÉ



### LA NON-OBSERVATION DE CES AVERTISSEMENTS PEUT ENTRAÎNER EN CONSÉQUENCE DES BLESSURES SÉRIEUSES OU L'ENDOMMAGE À LA PROPRIÉTÉ ET ANNULERA LA GARANTIE.

Pour assurer votre sécurité, n'attendez pas de monter cet élément sans suivre attentivement les instructions. Vérifiez les boîtes entières et l'intérieur de tout le matériel pour les pièces et/ou matériel d'instruction additionnel. Avant de commencer le montage, lisez les instructions et identifiez les pièces en utilisant l'identificateur d'accessoires et la Liste de pièces dans ce document. Le montage propre et complet et la supervision sont essentiels pour réduire le risque des hasards ou des blessures.

- Deux adultes capables sont requis pour monter cet élément.

*La plupart des blessures sont causées par l'abus et/ou par ne suivre les instructions. Faites attention lorsque vous utilisez cet abri.*

### **\*\*Clients des États-Unis et du Canada SEULEMENT\*\***

#### **SI VOUS AVEZ BESOIN D'ASSISTANCE, NE CONTACTEZ PAS LE MAGASIN !**

**APPELÉZ NOTRE DÉPARTEMENT DE SERVICE À LA CLIENTÈLE AU 1.800.225.3865**

HEURES: 0700 - 1700 lundi - vendredi (HNR)

**\*\*Appelez, ou rendez-vous une visite à notre site Web pour obtenir les heures de samedi\*\***



## INSTRUCCIONES DE SEGURIDAD



### EL INCUMPLIMIENTO DE SEGUIR ESTAS ADVERTENCIAS PUEDE RESULTAR EN LAS LESIONES GRAVES O EL DAÑO A LA PROPIEDAD Y ANULARÁ LA GARANTÍA.

Para asegurar la seguridad, no intente de armar este producto sin seguir detenidamente las instrucciones. Inspeccione la caja entera y toda la materia de embalaje para las partes y/o materia adicional. Antes de comenzar el armado, lea las instrucciones e identifique las partes usando el identificador del herraje y la Lista de piezas en este documento. El armado propio y completo, el uso y la supervisión son esenciales para la orientación propio y para reducir el riesgo de accidentes y lesiones.

- Dos adultos competentes son requeridos para armar el cobertizo.

*La mayoría de las lesiones son causadas por el uso erróneo y/o el incumplimiento de seguir las instrucciones. Tenga cuidado al usar este cobertizo.*

### **\*\*Clientes de los E.U.A. o de Canadá SOLAMENTE\*\***

#### **SI NECESITA ASISTENCIA, ¡NO CONTACTE LA TIENDA!**

**LLAME A NUESTRO DEPARTAMENTO DE SERVICIOS A CLIENTES AL 1.800.225.3865**

HORAS: 0700 - 1700 lunes a viernes (HNR)

**\*\*Llame, o visite nuestra página en Internet para las horas de sábado\*\***

**\*\*Para los clientes afuera de los Estados Unidos o de Canadá, póngase en contacto con la tienda por favor.\*\***

# **\*\*IMPORTANT SAFETY INFORMATION\*\***

## **PLEASE READ BEFORE BEGINNING ASSEMBLY:**

### ***INSTALLATION & GROUND PREPARATION INSTRUCTIONS***

- Place the equipment on a level, well-drained ground, not less than 6 ft (1.8 m) from any structure or obstruction such as a fence, garage, or house.
- Provide enough room so that children can use the equipment safely. For example, for structures with multiple play activities, a slide should not exit in front of a swing.
- Separate active and quiet activities from each other. For example, locate sandboxes away from swings or use a guardrail or barrier to separate the sandbox from the movement of the swings.
- Do not install home playground equipment over concrete, asphalt, packed earth, grass, carpet, or any other hard surface. A fall onto a hard surface can result in serious injury to the equipment user (see page 6).
- To prevent serious injury, warn children that they must not use the equipment until properly installed.
- Create a site free of obstacles that could cause injuries – such as low overhanging tree branches, overhead wires, tree stumps and/or roots, large rocks, bricks, and concrete.
- Choose a level location for the equipment. This can reduce the likelihood of the play set tipping over and loose-fill surfacing materials washing away during heavy rains
- For any questions call our Customer Service Department at 1-800-225-3865 for more information.

### ***PLAYGROUND AND SURFACE MATERIALS INSTRUCTIONS***

- Use containment, such as digging out around the perimeter and/or lining the perimeter with landscape edging.
- Do not install loose fill surfacing over hard surfaces such as concrete or asphalt.
- Installations of rubber tiles or poured-in-place surfaces (other than loose-fill materials) generally require a professional and are not “do-it-yourself” projects.
- Use Playground Surfacing Materials (other than loose-fill material) which comply to the safety standard ASTM F1292 Standard Specification for Impact Attenuation of Surfacing Materials within the Use Zone of Playground Equipment.

### ***OPERATING INSTRUCTIONS***

Observing the following instructions and warnings reduces the likelihood of serious or fatal injury:

- The maximum number of occupants that may safely use the entire play set including all components is ten with a maximum weight of 1200 pounds (544 kg).
- On-site adult supervision should be provided for children of all ages.
- Instruct children not to walk close to, in front of, behind, or between moving items.
- Do not move the equipment while it is in use.
- Instruct children not to twist swing chains or ropes or loop them over the top support bar since this may reduce the strength of the chain or rope.
- Instruct children to avoid swinging empty seats.
- Teach children to sit in the center of the swings with their full weight on the seats.
- Instruct children not to use the equipment in a manner other than intended.
- Instruct children not to get off the equipment while it is in motion.
- To prevent entanglement and strangulation, dress children appropriately using well-fitting shoes and avoiding ponchos, scarves, jackets with neck drawstrings, helmets with straps, and other loose-fitting clothing that is potentially hazardous while using equipment.
- Instruct children not to play when the equipment is wet.
- Instruct children not to attach items to the playground equipment that are not specifically designed for use with the equipment, such as, but not limited to, jump ropes, clothesline, pet leashes, cables and chain as they may cause a strangulation hazard.

## **MAINTENANCE INSTRUCTIONS**

If routine checks and maintenance procedures are not done, the equipment could overturn and/or become a hazard.

### **At the beginning of each play season:**

- Tighten all hardware.
- Lubricate all metallic moving parts.
- Check all protective coverings on bolts, pipes, edges and corners. Replace if they are loose, cracked or missing.
- Check all moving parts including swing seats, ropes, cables and chains for wear, rust or other deterioration. Contact customer service for replacement parts.
- Check metal parts for rust. If found, sand and repaint using a non lead-based paint meeting the requirements of 16 CFR 1303.
- Reinstall any plastic parts, such as swing seats or any other items that were removed for the cold season.
- Rake and check depth of loose fill protective surfacing materials to prevent compaction and to maintain appropriate depth. Replace as necessary. (See page 6)

### **Twice a month during play season:**

- Tighten all hardware.
- Check all protective coverings on bolts, pipes, edges and corners. Replace if they are loose, cracked or missing.
- Rake and check depth of loose fill protective surfacing materials to prevent compaction and to maintain appropriate depth. Replace as necessary. (See page 6)

### **Once a month during play season:**

- Lubricate all metallic moving parts.
- Check all moving parts including swing seats, ropes, cables and chains for wear, rust or other deterioration. Contact customer service for replacement parts.

### **At the end of each play season or when the temperature drops below 40°F (5°C):**

- Remove plastic swing seats and the trapeze swing and take them indoors or do not use.
- Rake and check depth of loose fill protective surfacing materials to prevent compaction and to maintain appropriate depth. Replace as necessary. (See page 6)
- If the warning sticker is illegible, destroyed, or removed contact the Customer Service Department at 1-800-225-3865 for a replacement.

**Disposal Instructions:** Disassemble and dispose of the playground equipment in such a way that no unreasonable hazards will exist at the time the equipment is discarded. Follow all local disposal requirements.



***\*Two adults required to complete assembly\****

**Only adults should set up the product. Do not allow children in the setup area until assembly is complete.**

***This product is intended for use by children ages 3 to 12, and is for outdoor residential use only.***

## CONSUMER INFORMATION SHEET FOR PLAYGROUND SURFACING MATERIALS\*

The U.S. Consumer Product Safety Commission (CPSC) estimates that about 100,000 playground equipment related injuries resulting from falls to the ground surface are treated annually in U.S. hospital emergency rooms. Injuries involving this hazard pattern tend to be among the most serious of all playground injuries, and have the potential to be fatal, particularly when the injury is to the head. The surface under and around playground equipment can be a major factor in determining the injury causing potential of a fall. It is self evident that a fall onto a shock-absorbing surface is less likely to cause a serious injury than a fall onto a hard surface. Playground equipment should never be placed on hard surfaces such as concrete or asphalt and while grass may appear to be acceptable, it may quickly turn to hard packed earth in areas of high traffic. Shredded bark mulch, wood chips, fine sand or fine gravel are considered to be acceptable shock-absorbing surfaces when installed and maintained at a sufficient depth under and around playground equipment.

Table 1 lists the maximum height from which a child would not be expected to sustain a life-threatening head injury in a fall onto different loose-fill surfacing materials if they are installed

and maintained at depths of 6, 9, and 12 inches. However, it should be recognized that all injuries due to falls cannot be prevented no matter what surfacing material is used.

It is recommended that a shock-absorbing material should extend a minimum of 6 ft. in all directions from the perimeter of stationary equipment such as climbers and slides. However, because children may deliberately jump from a moving swing, the shock absorbing material should extend in the front and rear of a swing a minimum distance of 2 times the height of the pivot point measured from a point directly beneath the pivot on the supporting structure.

This information is intended to assist in comparing the relative shock-absorbing properties of various materials. No particular material is recommended over another. However, each material is only effective when properly maintained. Materials should be checked periodically and replenished to maintain correct depth as determined necessary for your equipment. The choice of a material depends on the type and height of the playground equipment, the availability of the material in your area, and its cost.

***\*\*The maximum fall height for this product is 108 in (274 cm).  
We recommend using 9 in (23 cm) of Double Shredded Bark Mulch.\*\****

**TABLE 1 — Depth of Surfacing Material Required Based on Fall Heights**

Material / Fall Height	5 ft (152 cm)	6 ft (183 cm)	7 ft (213 cm)	9 ft (274 cm)	10 ft (305 cm)	11 ft (335 cm)	12 ft (366 cm)
Double Shredded Bark Mulch	--	6 in (15 cm)	--	--	9 in (23 cm)	12 in (30 cm)	--
Wood Chips	--	6 in (15 cm)	9 in (23 cm)	--	--	--	12 in (30 cm)
Fine Sand	6 in (15 cm)	--	9 in (23 cm)	12 in (30 cm)	--	--	--
Fine Gravel	--	6 in (15 cm)	9 in (23 cm)	--	12 in (30 cm)	--	--
Shredded Tires***	--	--	--	--	6 in (15 cm)	--	--

\*This information has been extracted from the CPSC publications "Playground Surfacing—Technical Information Guide" and "Handbook for Public Playground Safety." Copies of these reports can be obtained by sending a postcard to the: Office of Public Affairs, U.S. Consumer Product Safety Commission, Washington, D.C., 20207 or call the toll-free hotline: 1-800-638-2772.

\*\*\*This data is from tests conducted by independent testing laboratories on a 6-inch depth of uncompressed shredded tire samples produced by four manufacturers. It is recommended that persons seeking to install shredded tires as a protective surface request test data from the supplier showing the critical height of the material when it was tested in accordance with ASTM F1292.

# **\*\*INFORMATIONS DE SÉCURITÉ IMPORTANTES\*\***

## **VEUILLEZ LIRE AVANT DE DÉBUTER L'ASSEMBLAGE :**

### **INSTRUCTIONS D'INSTALLATION ET DE PRÉPARATION DE TERRAIN**

- Placez l'équipement sur un terrain de niveau et bien drainé, à plus de 1,8 m (6 pi) de toute structure ou obstruction telle qu'une clôture, un garage ou une maison.
- Prévoyez assez d'espace de façon à ce que les enfants puissent utiliser l'équipement en toute sécurité. Par exemple, pour des structures ayant plusieurs activités de jeu, une glissade ne devrait pas s'arrêter devant une balançoire.
- N'installez pas de l'équipement de terrain de jeu résidentiel sur du ciment, de l'asphalte, un sol tassé, du gazon, tapis ou toute autre surface dure. Une chute sur une surface dure peut entraîner des blessures graves (voir page 9).
- Pour éviter des blessures graves, avertissez les enfants qu'ils ne doivent pas utiliser l'équipement jusqu'à ce qu'il soit bien installé.
- Créez un site loin d'obstacles qui pourraient causer des blessures – tels que des branches basses, des fils électriques, souches et/ou racines, grosses roches, briques et du ciment.
- Choisissez une location de niveau pour l'équipement. Ceci peut réduire le risque que le jeu bascule et que des gravillons soient emportés durant des fortes pluies.
- Pour toute question, veuillez contacter notre Département de Service à la Clientèle au 1-800-225-3865 pour plus d'information.

### **INSTRUCTIONS DE TERRAIN DE JEU ET DE MATÉRIAUX DE SURFACE**

- Confinez l'espace, comme par exemple en creusant autour du périmètre et/ou mettre une bordure de jardin.
- Ne mettez pas des gravillons par-dessus des surfaces dures telles que du ciment ou de l'asphalte.
- Des installations de carrelage en caoutchouc ou des surfaces versées (autres que des gravillons) nécessitent normalement l'aide de professionnels et ne sont pas de projets à faire soi-même.
- Utilisez des Matériaux de Surface de Terrain de Jeu (autres que des gravillons) conformes avec les Spécifications de sécurité standards ASTM F1292 pour l'Atténuation d'impact de Matériaux de Surface concernant la Zone d'Utilisation d'Équipement de Terrain de Jeu.

### **INSTRUCTIONS D'UTILISATION**

Observer les instructions et avertissements qui suivent réduit le risque de blessures sérieuses ou fatales:

- Le nombre maximum de personnes pouvant utiliser le jeu complet en toute sécurité incluant toutes les composantes est dix avec un poids maximum de 544 kg (1200 livres).
- La supervision d'un adulte devrait être assurée pour enfants de tous âges.
- Avisez les enfants de ne pas marcher près, devant ou derrière des objets en mouvement.
- Ne déplacez pas l'équipement pendant qu'il est utilisé.
- Avisez les enfants de ne pas enrouler les chaînes ou les cordes, ou boucler par-dessus les barres de support supérieures, cela pourrait rendre la chaîne ou la corde plus faible.
- Avisez les enfants d'éviter de pousser des balançoires vides.
- Enseignez à vos enfants de s'asseoir au milieu des balançoires et de mettre tout leur poids sur les sièges.
- Avisez les enfants de ne pas utiliser l'équipement d'aucune autre façon que ce pourquoi il a été conçu.
- Avisez les enfants de ne pas débarquer de l'équipement lorsqu'il est en mouvement.
- Pour prévenir tout risque d'enchevêtrement et d'étranglement, habillez vos enfants de façon appropriée avec des souliers bien ajustés et en évitant les ponchos, écharpes, vestes avec des cordons au cou, des casques avec des courroies et autres vêtements mal ajustés qui peuvent être dangereux lors de l'utilisation de l'équipement.
- Avisez les enfants de ne pas jouer lorsque l'équipement est mouillé.
- Avisez les enfants de ne pas attacher d'objets à l'équipement de terrain de jeu non spécifiquement conçu pour être utilisé avec l'équipement, tel que, mais non limité à, cordes à sauter, corde à linge, laisses à chien, câbles et chaîne qui peuvent causer un risque d'étranglement.

## INSTRUCTIONS DE MAINTENANCE

Si des vérifications routinières et des procédures de maintenance ne sont pas assurés, l'équipement pourrait se renverser et/ou devenir dangereux.

### À la commencement de chaque saison de jouer :

- Serrez tous les accessoires.
- Lubrifiez tous les pièces en métal mobiles.
- Vérifiez tous les recouvrements sur les boulons, tuyauterie, bords, et angles. Remplacez-les s'ils sont lâches, fendus, ou disparus.
- Vérifiez tous les pièces mobiles y compris les balançoires, cordes, câbles, et chaînes pour l'usure, rouille ou autre détérioration. Veuillez contacter notre Service à clientèle pour obtenir les pièces de remplacement.
- Vérifiez les pièces en métal pour rouille. S'il y a de rouille, frottez-les et repeignez-les en utilisant une peinture sans plomb qui remplit les exigences de qualité de 16 CFR 1303.
- Réinstallez des pièces en plastique, telle comme les balançoires ou des autres pièces enlevées pour la saison froide.
- Ratissez et vérifiez la profondeur des revêtements de sécurité en caoutchouc pour prévenir compactage y pour maintenir la profondeur appropriée. Remplacez-les s'il est nécessaire. (Voyez page 9)

### Deux fois à mois pendant la saison de jouer :

- Serrez tous les accessoires.
- Vérifiez tous les recouvrements sur les boulons, tuyauterie, bords, et angles. Remplacez-les s'ils sont lâches, fendus, ou disparus.
- Ratissez et vérifiez la profondeur des revêtements de sécurité en caoutchouc pour prévenir compactage y pour maintenir la profondeur appropriée. Remplacez-les s'il est nécessaire. (Voyez page 9)

### Une fois à mois pendant la saison de jouer :

- Lubrifiez tous les pièces en métal mobiles.
- Vérifiez tous les pièces mobiles y compris les balançoires, cordes, câbles, et chaînes pour l'usure, rouille ou autre détérioration. Veuillez contacter notre Service à clientèle pour obtenir les pièces de remplacement.

### À la fin de chaque saison de jouer ou lorsque la température baisse au-dessous de 5° C (40° F) :

- Enlevez les balançoires en plastique et la trapèze, et rangez-les à l'intérieur ou n'utilisent pas.
- Ratissez et vérifiez la profondeur des revêtements de sécurité en caoutchouc pour prévenir compactage y pour maintenir la profondeur appropriée. Remplacez-les s'il est nécessaire. (Voyez page 9)
- Si l'auto-adhésif est illisible, détruit, ou enlevé, veuillez contacter notre Département de service à clientèle au 1.800.225.3865 pour obtenir un auto-adhésif de remplacement.

**Instructions de Disposition :** Désassemblez et disposez de l'équipement de terrain de jeu de telle façon qu'aucun danger n'existera au moment où l'équipement est jeté. Suivez toutes les exigences de disposition locales.



**\*Il faut deux personnes adultes  
pour effectuer le montage\***

**Le montage ne doit être effectué que par des personnes adultes. Ne permettez pas aux enfants de s'approcher de la zone de montage avant que celui-ci ne soit terminé.**

***Ce produit est conçu pour des enfants entre 3 et 12 ans, et pour une utilisation résidentielle à l'extérieur uniquement.***



## FEUILLE D'INFORMATION AU CLIENT POUR LES MATÉRIAUX DE SURFAÇAGE DE TERRAIN DE JEU\*

La U.S. Consumer Product Safety Commission (CPSC (Commission de la Sécurité des Produits au Consommateur)) estime qu'environ 100 000 blessures relatives à un équipement de terrain de jeu résultant de chutes sont traitées dans les salles d'urgence américaines chaque année. Les blessures de cette nature semblent être parmi les plus sérieuses de toutes les blessures de terrain de jeu, et peuvent s'avérer fatales, en particulier lorsque la blessure se trouve sur la tête. La surface sous et autour de l'équipement de terrain de jeu peut être un facteur majeur dans la détermination du potentiel de blessure causée par une chute. Il est clair qu'une chute sur une surface qui absorbe les chocs a moins de risque de causer une blessure sérieuse qu'une chute sur une surface dure. L'équipement de terrain de jeu ne devrait jamais être placé sur des surfaces dures telles que du ciment, de l'asphalte et même si le gazon semble acceptable, il peut rapidement se transformer en terre dense et tassée dans les endroits passants. Des copeaux d'écorce, copeaux de bois, du sable fin ou du gravier fin sont considérés comme étant des surfaces acceptables lorsqu'installées et maintenues à une profondeur suffisante sous et autour de l'équipement de terrain de jeu.

Le Tableau 1 indique la hauteur maximale à partir de laquelle il est considéré qu'un enfant ne subira pas une blessure grave à la tête lors d'une chute sur des

matériaux de surface non tassés s'ils sont installés et maintenus à des profondeurs de 15, 22,5 et 30 cm (6, 9, et 12 pouces). Toutefois, il faut comprendre que toute blessure causée par une chute ne peut être évitée peu importe le matériel de surface utilisé. Il est recommandé qu'un matériel qui absorbe les chocs devrait s'étendre d'au moins 1,80 m (6 pi) dans toutes les directions du périmètre de l'équipement stationnaire tel qu'appareils d'escalade et glissades. Toutefois, puisque les enfants pourraient sauter d'une balançoire en mouvement délibérément, le matériel absorbant devrait s'étendre à l'avant et à l'arrière d'une balançoire d'une distance minimale de 2 fois la hauteur du centre d'équilibre mesuré d'un point directement sous le pivot de la structure de support.

Le but de cette information est de vous aider à comparer les propriétés relatives d'absorption de choc de différents matériaux. Aucun matériel spécifique n'est recommandé au détriment d'un autre. Toutefois, chaque matériel n'est efficace que lorsque maintenu correctement. Les matériaux devraient être vérifiés périodiquement et remplis pour maintenir une profondeur appropriée tel que déterminé pour votre équipement. Le choix du matériel dépend du type et de la hauteur de l'équipement de terrain de jeu, la disponibilité du matériel dans votre région, et son coût.

**\*\*La hauteur maximale pour une chute avec ce produit est de 274 cm (108 po). Nous recommandons d'utiliser 23 cm (9 po) de Copeaux d'Écorce Déchiquetés Doublement.\*\***

**TABLEAU 1 — Profondeur de Matériel de Surface Requis Selon les Hauteurs de Chute**

Matériel / Hauteur de Chute	5 ft (152 cm)	6 ft (183 cm)	7 ft (213 cm)	9 ft (274 cm)	10 ft (305 cm)	11 ft (335 cm)	12 ft (366 cm)
Copeaux d'Écorce Déchiquetés Doublement	--	6 in (15 cm)	--	--	9 in (23 cm)	12 in (30 cm)	--
Copeaux de Bois	--	6 in (15 cm)	9 in (23 cm)	--	--	--	12 in (30 cm)
Sable Fin	6 in (15 cm)	--	9 in (23 cm)	12 in (30 cm)	--	--	--
Gravier Fin	--	6 in (15 cm)	9 in (23 cm)	--	12 in (30 cm)	--	--
Pneus Déchiquetés***	--	--	--	--	6 in (15 cm)	--	--

\* Cette information a été tirée des publications « Playground Surfacing—Technical Information Guide » (Surface de Terrain de Jeu - Guide d'Information Technique) et « Handbook for Public Playground Safety » (Manuel de Sécurité de Terrain de Jeu Publique) de la CPSC. Des copies de ces documents peuvent être obtenus en envoyant une carte postale à la : Office of Public Affairs, U.S. Consumer Product Safety Commission, Washington, D.C., 20207 ou appelez la ligne sans frais : 1-800-638-2772.

\*\*\* Ces données proviennent de tests menés par des laboratoires de tests indépendants sur un des échantillons de pneus déchiquetés et non compressés d'une profondeur de 15 cm (6 po) produits par quatre fabricants. Il est recommandé que les gens voulant installer des pneus déchiquetés comme surface de protection exigent des données d'essai du fournisseur démontrant la hauteur critique du matériel lorsque testé conformément à ASTM F1292.

# **\*\*INFORMACIÓN DE SEGURIDAD IMPORTANTE\*\***

## **LEA POR FAVOR ANTES DE INICIAR EL ENSAMBLE:**

### **INSTRUCCIONES DE INSTALACIÓN Y DE PREPARACIÓN DEL PISO**

- Coloque el equipo sobre un piso nivelado, bien drenado, a no menos de 1.8 m (6 pies) de cualquier estructura u obstrucción como una cerca, una cochera o una casa.
- Proporcione suficiente espacio para que los niños puedan utilizar el equipo sin peligro. Por ejemplo, para estructuras con actividades de juego múltiples, un tobogán no debe salir en frente de un columpio.
- Separe las actividades pasivas de las activas. Por ejemplo, coloque los cajones de arena lejos de los columpios, o utilice una barrera de seguridad o una barrera para separar el cajón de arena del movimiento de los columpios.
- No instale el equipo de patio de recreo sobre concreto, asfalto, tierra apisonada, pasto, alfombra o cualquier otra superficie dura. Una caída sobre una superficie dura puede ocasionar una lesión seria al usuario del equipo (vea la página 12).
- Para evitar lesiones serias, advierta a los niños que no deben utilizar el equipo hasta que esté instalado correctamente.
- Cree un espacio libre de obstáculos que puedan ocasionar lesiones – como ramas de árboles bajas, cables en la parte superior, tocones o raíces de árboles, rocas grandes, ladrillos y concreto.
- Elija una ubicación nivelada para instalar el equipo. Esto puede reducir la probabilidad de que el juego colocado se vuelque y de que los materiales de revestimiento superficial de relleno sueltos sean arrastrados durante lluvias torrenciales.
- Para cualquier duda llame a nuestro Departamento de Servicio al Cliente al 1-800-225-3865 para obtener más información.

### **INSTRUCCIONES DEL PATIO DE RECREO Y DE LOS MATERIALES DE LA SUPERFICIE**

- Utilice una contención, como hacer una zanja alrededor del perímetro o recubrir el perímetro con un borde ajardinado.
- No instale revestimiento superficial de relleno suelto sobre superficies duras como concreto o asfalto.
- Las instalaciones de losetas de hule o de superficies vaciadas en el lugar (diferentes a los materiales de relleno sueltos) generalmente requieren de un profesional y no son proyectos de “hágalo usted mismo.”
- Utilice los Materiales para Revestimiento Superficial de Patio de Recreo (diferentes a los materiales de relleno sueltos) que cumplen con la Especificación Estándar de la norma de seguridad ASTM F1292 dentro de la Zona de Uso del Equipo de Patio de Recreo.

### **INSTRUCCIONES DE OPERACIÓN**

La observación de las siguientes instrucciones y advertencias reduce la probabilidad de lesiones serias o fatales.

- El número máximo de ocupantes que puede utilizar sin peligro el juego completo instalado, incluidos todos los componentes, es de diez con un peso máximo de 544 Kg (1200 libras).
- Debe existir supervisión de un adulto en el lugar para niños de todas las edades.
- Instruya a los niños para que no caminen cerca, en frente, detrás o entre las piezas en movimiento.
- No mueva el equipo mientras se esté utilizando.
- Instruya a los niños para que no tuerzan las cadenas o las cuerdas del columpio o las hagan serpentear sobre la barra de apoyo superior, ya que esto puede reducir la resistencia de las cadenas o de las cuerdas.
- Instruya a los niños para que eviten columpiar los asientos vacíos.
- Enseñe a los niños a sentarse en el centro de los columpios con todo su peso en los asientos.
- Instruya a los niños para que no utilicen el equipo de un modo diferente para el que fue diseñado.
- Instruya a los niños para que no se bajen del equipo mientras está en movimiento.
- Para evitar que se enreden y que se estrangulen, vista correctamente a los niños utilizando zapatos adecuados y evite el uso de ponchos, bufandas, chaquetas con cordón al cuello, cascos con correa y ropa suelta que es potencialmente peligrosa mientras se utiliza el equipo.
- Instruya a los niños para que no jueguen cuando el equipo está mojado.
- Instruya a los niños para que no amarren objetos al equipo de patio de recreo que no estén diseñados específicamente para utilizarse con el equipo, como, pero no limitados a, cuerdas para brincar, lazos para tender ropa, correas de mascota, cables y cadenas, ya que pueden ocasionar riesgos de estrangulación.

## INSTRUCCIONES DE MANTENIMIENTO

Si no se realizan las comprobaciones de rutina y se llevan a cabo los procedimientos de mantenimiento, el equipo puede volcarse o volverse riesgoso.

### Al comienzo de cada temporada de jugar:

- Apriete todos los elementos de fijación.
- Lubrifique todas las piezas de metal móviles.
- Verifique todas las cubiertas de protección en los pernos, tubos, bordes, y esquinas. Repóngalos si están aflojados, rajados o perdidos.
- Verifique todas las piezas móviles incluyendo los columpios, cuerdas, cables, y cadenas para desgaste, óxido u otro deterioro. Póngase en contacto con nuestro Departamento de servicios a clientes para obtener piezas de reemplazo.
- Verifique las piezas de metal para óxido. Si la encuentra, líjela y píntela de nuevo usando una pintura sin plomo que reúne los requisitos de 16 CFR 1303.
- Reinstale las piezas de plástico, tales como los columpios u otras piezas retiradas para la estación del frío.
- Rastrille y verifique la profundidad del revestimiento de seguridad de caucho para evitar compactación y para mantener la profundidad apropiada. Repóngalo en caso necesario. (Vea página 12)

### Dos veces al mes durante la temporada de jugar:

- Apriete todos los elementos de fijación.
- Verifique todas las cubiertas de protección en los pernos, tubos, bordes, y esquinas. Repóngalos si están aflojados, rajados o perdidos.
- Rastrille y verifique la profundidad del revestimiento de seguridad de caucho para evitar compactación y para mantener la profundidad apropiada. Repóngalo en caso necesario. (Vea página 12)

### Una vez al mes durante la temporada de jugar:

- Lubrifique todas las piezas de metal móviles.
- Verifique todas las piezas móviles incluyendo los columpios, cuerdas, cables, y cadenas para desgaste, óxido u otro deterioro. Póngase en contacto con nuestro Departamento de servicios a clientes para obtener piezas de reemplazo.

### Al fin de cada temporada de jugar o cuando la temperatura descienda bajo 5° C (40° F):

- Retire los columpios de plástico y el trapecio, y lívelos adentro o no los use.
- Rastrille y verifique la profundidad del revestimiento de seguridad de caucho para evitar compactación y para mantener la profundidad apropiada. Repóngalo en caso necesario. (Vea página 12)
- Si el auto-adhesivo no es legible, destruido, o retirado, póngase en contacto con nuestro Departamento de servicios a clientes al 1.800.225.3865 para obtener un auto-adhesivo de reemplazo.

**Instrucciones de deshecho:** Desensamble y deseche el equipo de patio de recreo de manera que no existan riesgos inútiles en el momento que el equipo se deshecha. Siga todos los requerimientos de deshecho locales.



**\* Se necesitan dos adultos  
para completar el armado\***

**Este producto debe ser armado solamente por personas adultas. No permita que los niños estén en el lugar de trabajo hasta que se haya completado el armado.**

***Este producto está diseñado para que lo utilicen niños de 3 a 12 años de edad y sólo para uso residencial exterior.***

## HOJA DE INFORMACIÓN DEL CONSUMIDOR PARA LOS MATERIALES DE REVESTIMIENTO SUPERFICIAL DEL EQUIPO DE PATIO DE RECREO\*

La Comisión de Seguridad de Productos del Consumidor de los Estados Unidos de Norteamérica (CPSC) calcula que en las salas de emergencia de los hospitales de ese país se tratan anualmente cerca de 100,000 lesiones relacionadas con el equipo de patio de recreo, resultantes de caídas sobre la superficie del suelo. Las lesiones que involucran este patrón de riesgo tienden a estar entre las más serias de todas las lesiones del patio de recreo y tienen el potencial de ser fatales, particularmente cuando la lesión es en la cabeza. La superficie debajo y alrededor del equipo de patio de recreo puede ser un factor principal para determinar la lesión potencial ocasionada por una caída. Es una evidencia por sí misma que una caída sobre una superficie amortiguadora es menos probable que ocasione una lesión seria que una caída sobre una superficie dura. El equipo de patio de recreo nunca se debe colocar sobre superficies duras como concreto o asfalto y aunque el pasto puede parecer aceptable, puede convertirse rápidamente en tierra apisonada dura en áreas de mucho tráfico. Trozos de corteza de residuos orgánicos, astillas de madera, arena o grava fina se consideran superficies amortiguadoras aceptables cuando se instalan y se mantienen a una profundidad suficiente debajo y alrededor del equipo de patio de recreo.

La tabla 1 lista la altura máxima de la cual no se esperaría que un niño sufra una lesión en la cabeza que amenace su vida en una caída sobre diferentes materia-

les de revestimiento superficial de relleno sueltos si están instalados y se mantienen a profundidades de 6, 9 y 12 pulgadas. Sin embargo, se debe reconocer que no se pueden prevenir todas las lesiones debido a las caídas sin importar que material de revestimiento superficial se utilice.

Se recomienda que se extienda un material amortiguador un mínimo 6 pies en todas direcciones del perímetro del equipo fijo como escaladoras y toboganes. Sin embargo, debido a que los niños pueden saltar deliberadamente desde un columpio en movimiento, el material amortiguador se debe extender en el frente y en la parte trasera de un columpio a una distancia mínima de 2 veces la altura del punto de pivote medido desde un punto directamente debajo del pivote en la estructura de apoyo.

Esta información pretende ayudarle a comparar las propiedades de amortiguación relativas de los diversos materiales. No se recomienda un material particular sobre otro. Sin embargo, cada material sólo es eficaz cuando se mantiene correctamente. Los materiales se deben comprobar periódicamente y se deben reponer para mantener la profundidad correcta como se determine necesaria para su equipo. La elección del material depende del tipo y la altura del equipo de patio de recreo, de la disponibilidad del material en su área y de su costo.

**\*\*La altura máxima de caída para este producto es de 274 cm (108 pulg).**

**Recomendamos utilizar 23 cm (9 pulg) de Trozos de Corteza de Residuos Orgánicos Dobles.\*\***

**TABLA 1 — Profundidad del Material del Revestimiento Superficial Requerido Basada en la Alturas de Caída.**

Material / Altura de Caída	5 ft (152 cm)	6 ft (183 cm)	7 ft (213 cm)	9 ft (274 cm)	10 ft (305 cm)	11 ft (335 cm)	12 ft (366 cm)
Trozos de Corteza de Residuos Orgánicos Dobles	--	6 in (15 cm)	--	--	9 in (23 cm)	12 in (30 cm)	--
Astillas de Madera	--	6 in (15 cm)	9 in (23 cm)	--	--	--	12 in (30 cm)
Arena Fina	6 in (15 cm)	--	9 in (23 cm)	12 in (30 cm)	--	--	--
Grava Fina	--	6 in (15 cm)	9 in (23 cm)	--	12 in (30 cm)	--	--
Llantas Cortadas en Tiras***	--	--	--	--	6 in (15 cm)	--	--

\*Esta información se ha extraído de las publicaciones CPSC "Revestimiento Superficial de Patio de Recreo - Guía de Información Técnica" y "Manual para Seguridad de Patios de Recreo Públicos." Se pueden obtener copias de estos informes solicitándolos a la: Oficina de Relaciones Públicas, EE.UU. Comisión de Seguridad de Productos del Consumidor, Washington, D.C., 20207 o llamando sin costo a la línea de atención inmediata: 1-800-638-2772.

\*\*\*Esta información proviene de pruebas llevadas a cabo por laboratorios de prueba independientes en una profundidad de 6 pulgadas de muestras de llantas cortadas en tiras sin comprimir producidas por cuatro fabricantes. Se recomienda que las personas que buscan instalar llantas cortadas en tiras como una superficie de protección soliciten información de pruebas al proveedor mostrando la altura crítica del material cuando se probó de acuerdo con la norma ASTM F1292.

# Safety Zone

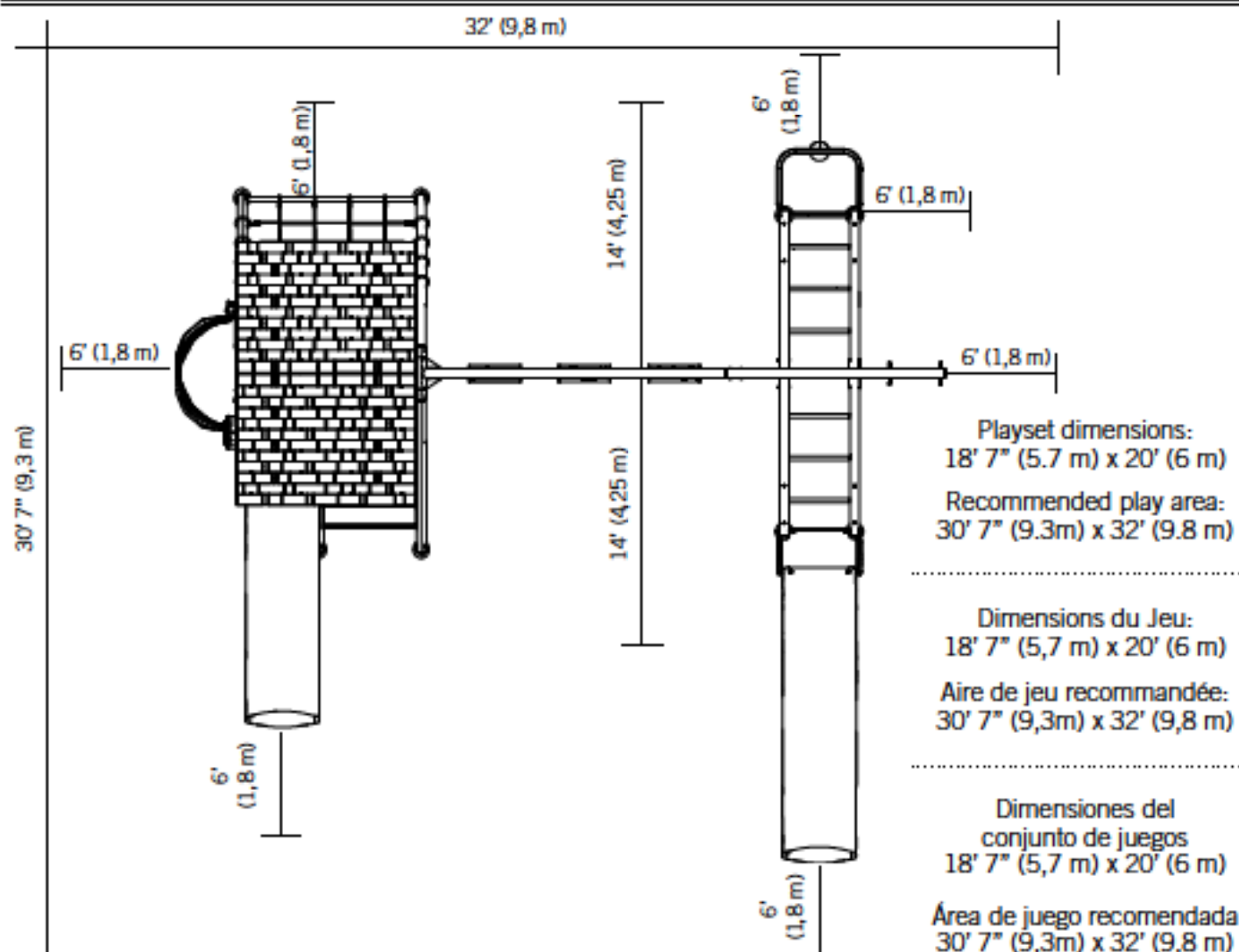
Place the equipment no less than 6 ft. (1.8 m) from any structure or obstruction such as a fence, garage, house, overhanging branches, laundry lines, or electrical wires. Make sure the clearance in front of and behind the swings is at least twice the height of the swing bar. The impact surfacing needs to cover the entire recommended play area. Refer to the example below.

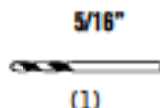
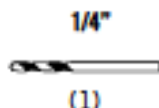
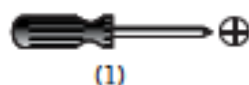
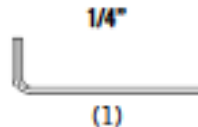
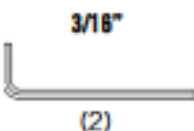
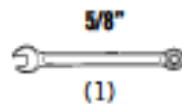
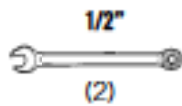
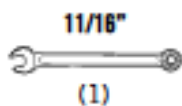
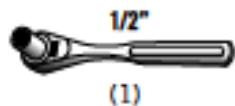
# Zone de Sécurité

Placez l'équipement à plus de 1,8 m (6 pi) de toute structure ou obstruction telle qu'une clôture, un garage, une maison, des branches basses, des cordes à linge ou des fils électriques. Assurez-vous que l'espace libre devant et derrière les balançoires soit d'au moins deux fois la hauteur de la barre de la balançoire. La surface d'impact doit couvrir l'aire de jeu recommandée au complet. Veuillez vous référer à l'exemple ci-dessous.

# Zona de Seguridad

Coloque el equipo a no menos de 1.8 m (6 pies) de cualquier estructura u obstrucción como una cerca, una cochera, una casa, ramas que cuelgan, lazos para tender ropa o cables eléctricos. Asegúrese de que el espacio libre enfrente y detrás de los columpios es de al menos el doble de la altura de la barra de los columpios. El revestimiento superficial de impacto necesita cubrir el área entera de juego recomendada. Consulte al ejemplo a continuación.





## USE AT YOUR OWN RISK!

*USING A DRILL IS NOT RECOMMENDED FOR DRIVING BOLTS.*

*A cordless drill can be used for driving screws;  
however, care should be taken not to over-tighten or strip screws.*

## UTILISEZ À VOS RISQUES !

*L'UTILISATION D'UNE PERCEUSE N'EST PAS RECOMMANDÉE  
POUR INSÉRER DES BOULONS.*

*Une perceuse sans fil peut être utilisée for visser des vis;  
toutefois, des précautions devraient être prises pour ne pas trop serrer les vis.*

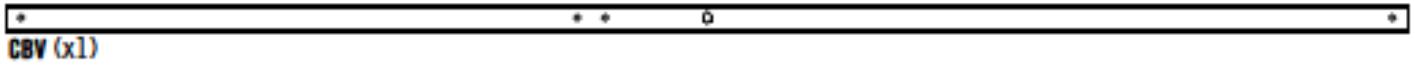
## ¡UTILICELO BAJO SU PROPIO RIESGO!

*NO SE RECOMIENDA UTILIZAR  
UN TALADRO PARA GUIAR LOS PERNOS.*

*Se puede utilizar un taladro inalámbrico para guiar los tornillos; sin embargo,  
se debe tener cuidado para no apretarlos demasiado o barrerlos.*



1



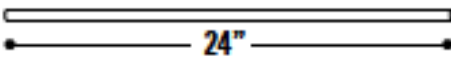
CBV (x1)



CBW (x1)



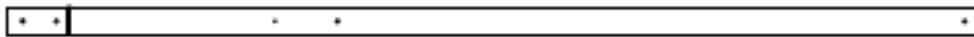
CBU (x2)



CRZ (x1)



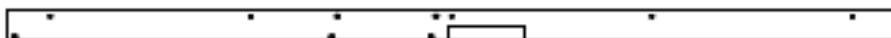
CBF (x1)



CBE (x1)



CBJ (x1)



CBK (x1)



CBN (x1)



CBY (x1)



CAY (x1)



CAZ (x1)



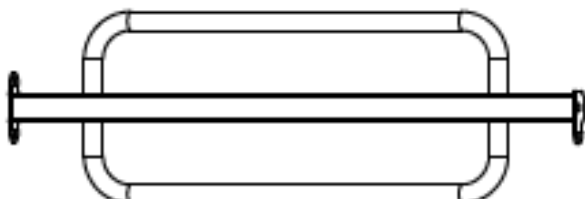
2



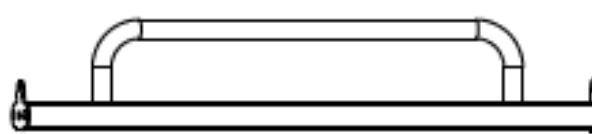
CBD (x1)



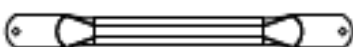
CRU (x1)



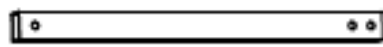
CBT (x2)



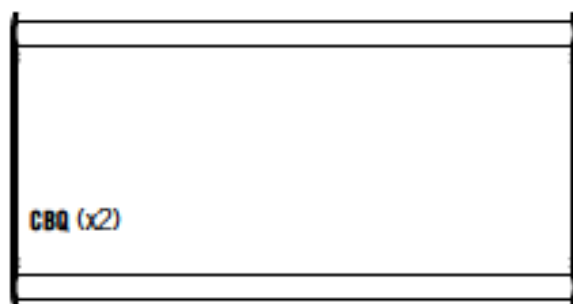
CBS (x4)



CBP (x4)



CCG (x3)



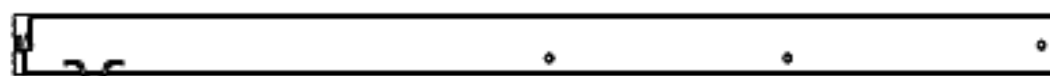
CBQ (x2)



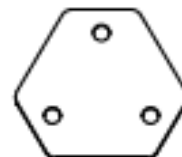
CBA (x1)



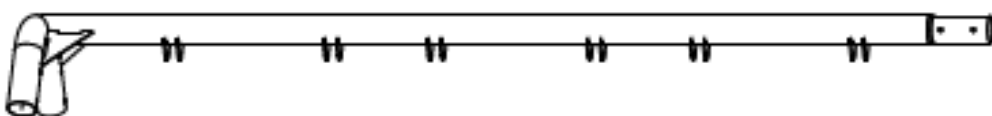
CBB (x1)



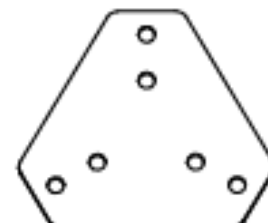
CBC (x1)



CCI (x1)



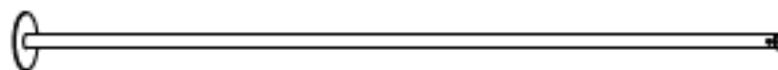
CBD (x1)



CCJ (x1)



CRR (x1)



CRT (x1)





**3**



**CCA (x2)**

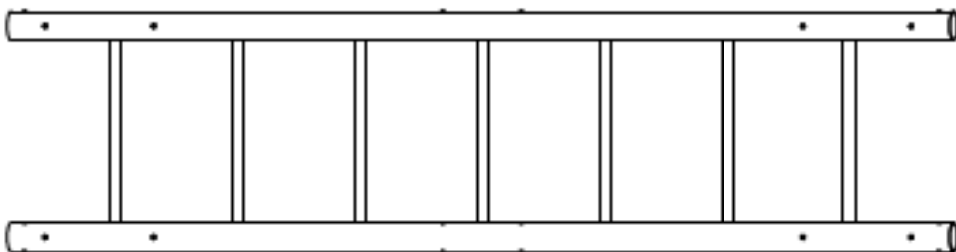


**CCB (x8)**

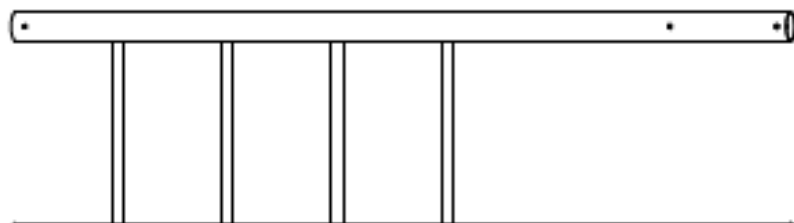


**CBL (x1)**

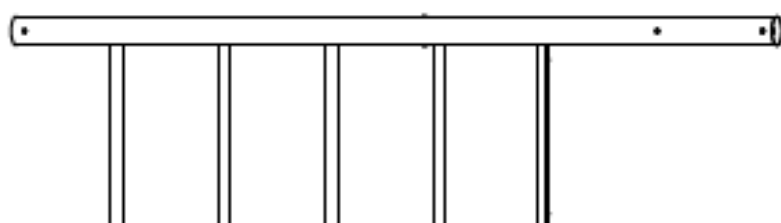
**4**



**CSC (x1)**



**CRX (x1)**



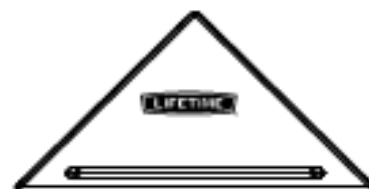
**CRY (x1)**



**CRQ (x2)**



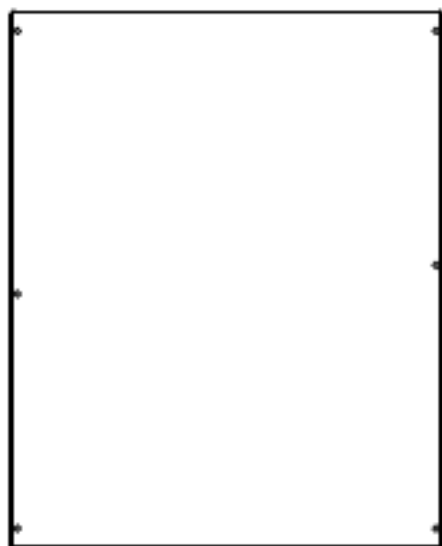
**CRS (x1)**



**CWV (x4)**



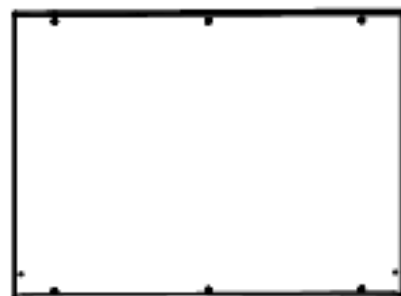
5



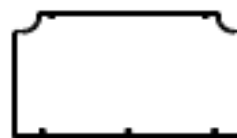
CBR (x1)



CCC (x4)



CBZ (x1)

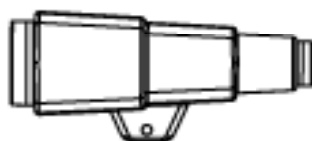


BE0 (x1)

6



CCF (x3)



CCD (x1)



CCH (x3)



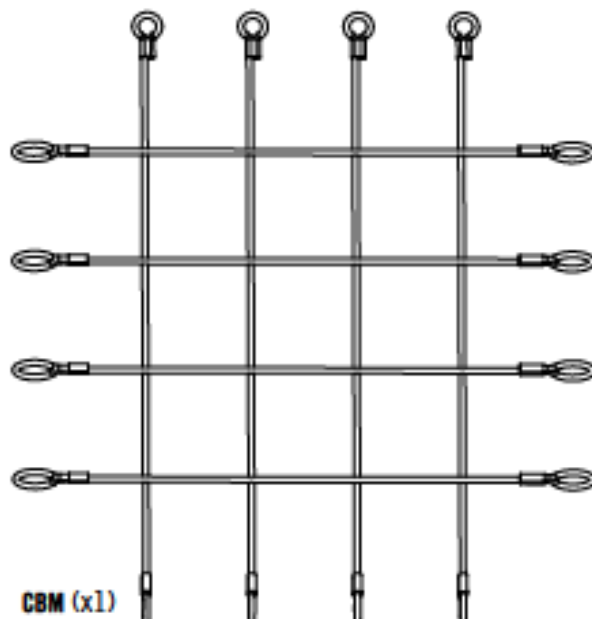
CCE (x1)



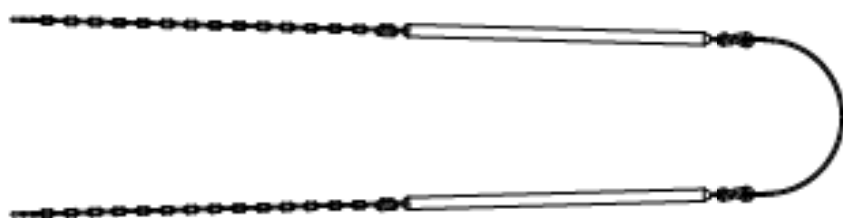
CAB (x1)



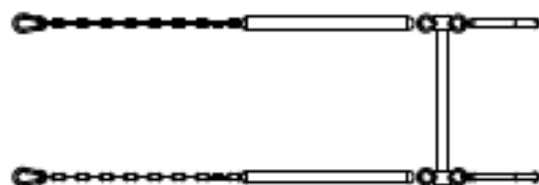
CAA (x1)



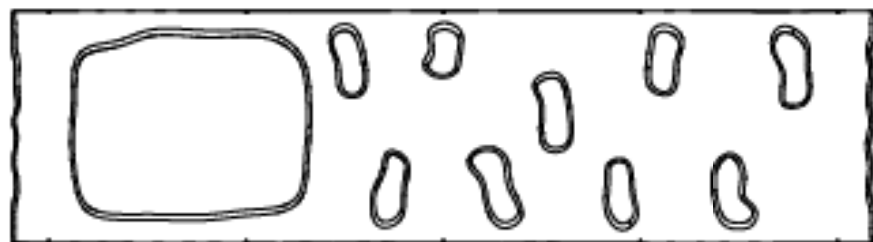
CBM (x1)



BKT (x3)



BKU (x1)



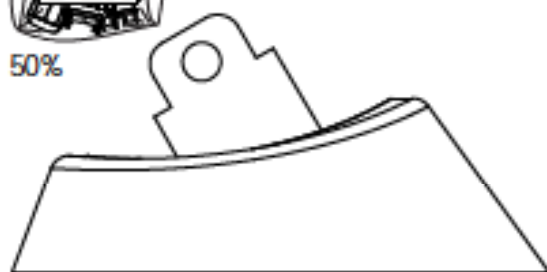
**CBX (x2)**



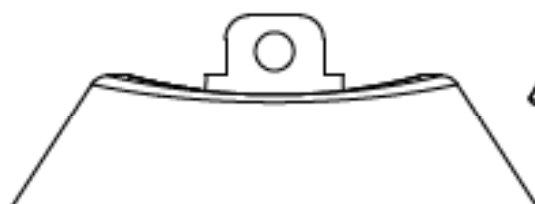
**BEK (x2)**



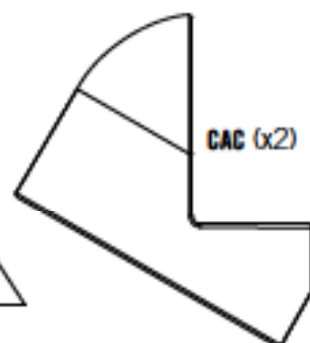
50%



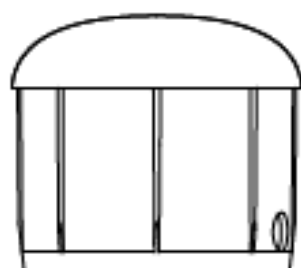
**BZJ (x4)**



**CSB (x4)**



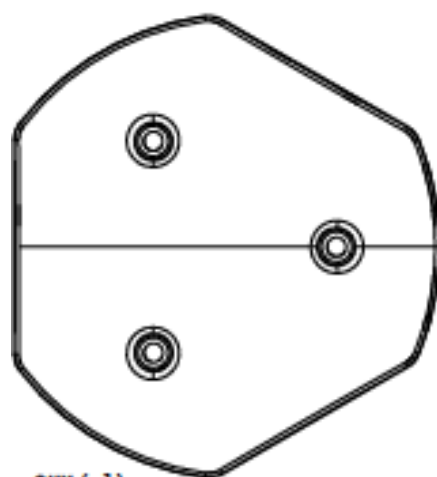
**CAC (x2)**



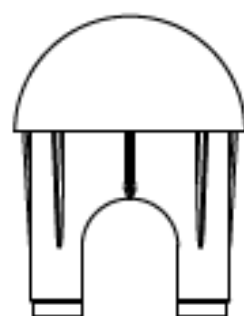
**CSD (x5)**



**CSA (x4)**



**CUY (x1)**



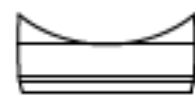
**BZS (x8)**



**BZL (x4)**



**BZM (x6)**



**ARY (x2)**

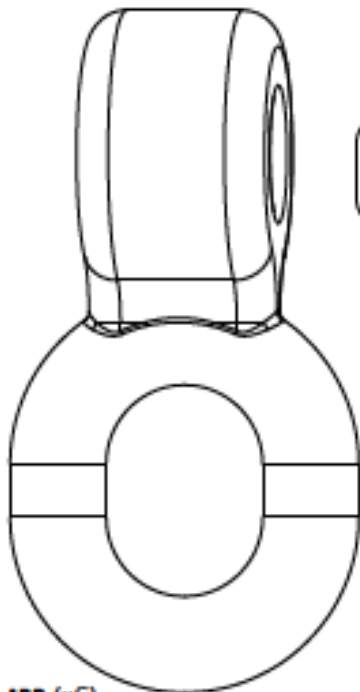
100%



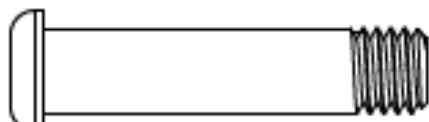
**CUX (x11)**  
1 1/2"



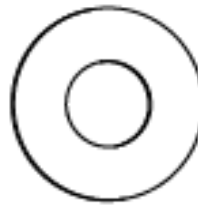
**ADF (x2)**  
3/8"



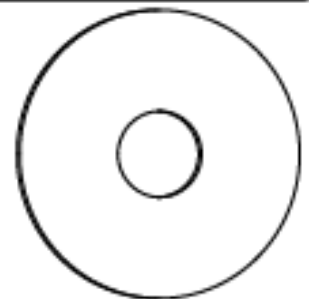
ARP (x6)



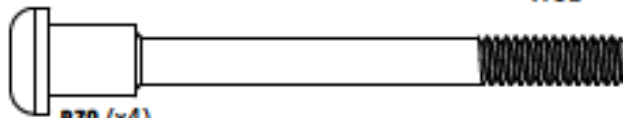
ARQ (x6)  
7/16" x 2"



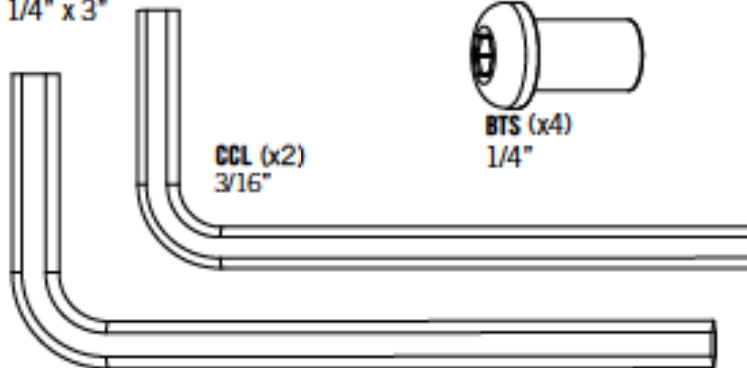
ARS (x12)  
7/16"



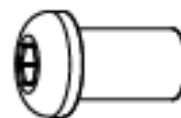
ART (x12)  
7/16"



BZO (x4)  
1/4" x 3"



CCL (x2)  
3/16"

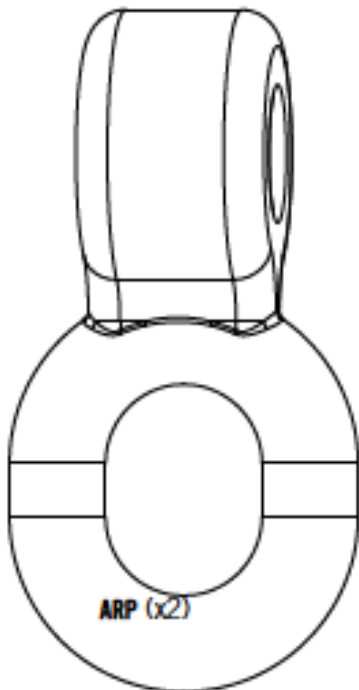


BTS (x4)  
1/4"

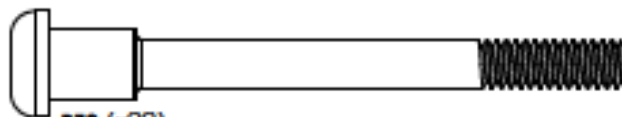


ARR (x6)  
7/16"

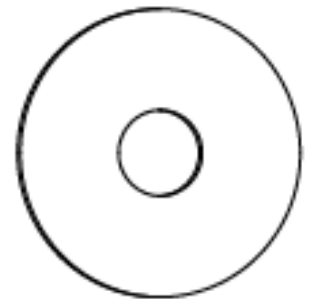
ASP (x1)  
1/4"



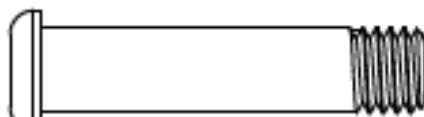
ARP (x2)



BZO (x22)  
1/4" x 3"



ART (x4)  
7/16"



ARQ (x2)  
7/16" x 2"



BTS (x22)  
1/4"



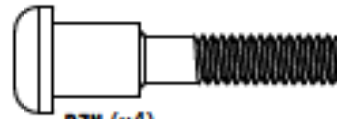
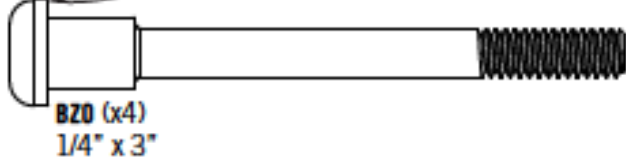
ARR (x2)  
7/16"



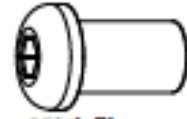
BZK (x10)  
.343"



ARS (x4)  
7/16"



**BZN (x4)**  
1/4" x 1 1/2"



**BTS (x8)**  
1/4"



**ARX (x3)**  
5/16" x 1 1/4"



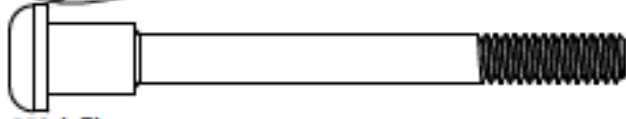
**ARM (x3)**  
5/16"



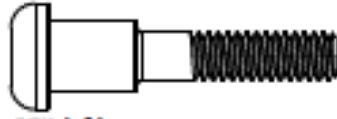
**ARL (x6)**  
1/4"



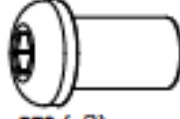
**CVZ (x4)**  
5/16"



**BZO (x2)**  
1/4" x 3"



**BZN (x1)**  
1/4" x 1 1/2"



**BTS (x3)**  
1/4"



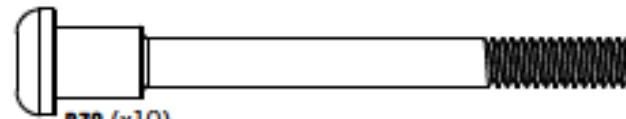
**ATV (x2)**  
1/4" x 3 3/4"



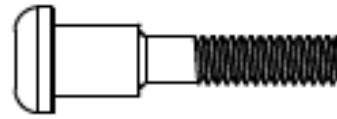
**AAF (x8)**  
3/8"



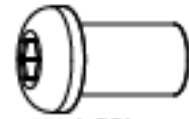
**ARL (x3)**  
1/4"



**BZO (x10)**  
1/4" x 3"



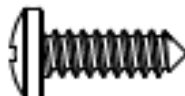
**BZN (x10)**  
1/4" x 1 1/2"



**BTS (x20)**  
1/4"



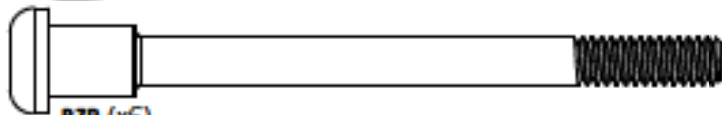
**ARD (x4)**  
.343"



**ARV (x8)**  
#14 x 3/4"



**ARU (x1)**  
5/16" x 2 1/2"



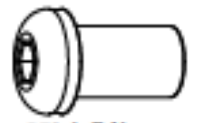
**BZP (x6)**  
1/4" x 3 1/2"



**AAF (x3)**  
3/8"



**ARL (x1)**  
1/4"



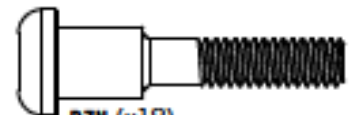
**BTS (x24)**  
1/4"



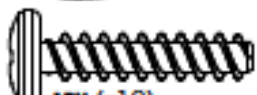
**ASB (x1)**  
5/16" x 2"



**ARU (x1)**  
5/16" x 2 1/2"



**BZN (x18)**  
1/4" x 1 1/2"



**ADV (x10)**  
1/4" x 1 1/8"



**ADW (x10)**  
#10 x 3/4"



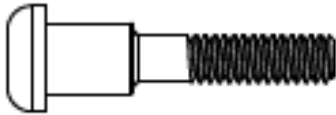
**ARV (x3)**  
#14 x 3/4"



**ASF (x2)**  
#14 x 1 1/4"



**CHX (x2)**  
1/2"



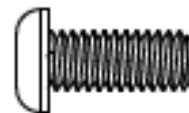
**BZN (x8)**  
1/4" x 1 1/2"



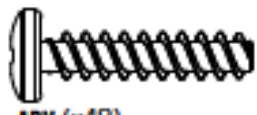
**BRL (x4)**  
5/16"



**ASE (x4)**  
5/16"



**ARN (x8)**  
5/16" x 3/4"



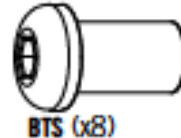
**ADV (x48)**  
1/4" x 1 1/8"



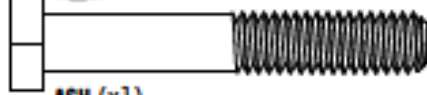
**ARL (x8)**  
1/4"



**ARO (x4)**  
3/4"



**BTS (x8)**  
1/4"



**ASH (x1)**  
5/16" x 2"



**BRL (x1)**  
5/16"



**ARM (x2)**  
5/16"



**BZT (x1)**  
5/16"



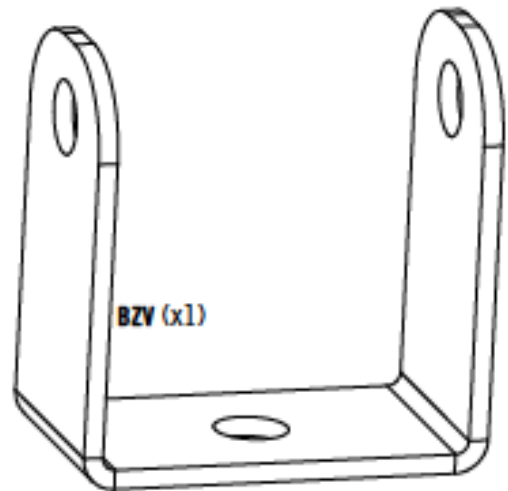
**BZU (x2)**  
5/16" x 3"



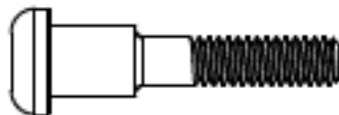
**ARU (x1)**  
5/16" x 2 1/2"



**ARM (x1)**  
5/16"



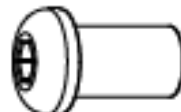
**BZV (x1)**



**BZN (x1)**  
1/4" x 1 1/2"



**BRL (x2)**  
5/16"



**BTS (x1)**  
1/4"



**ARX (x3)**  
5/16" x 1 1/4"



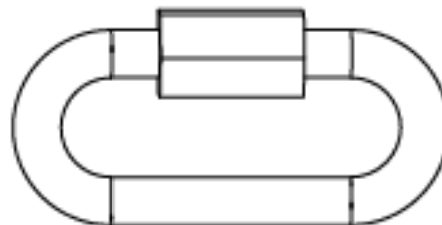
**ARM (x3)**  
5/16"



**ARL (x6)**  
1/4"



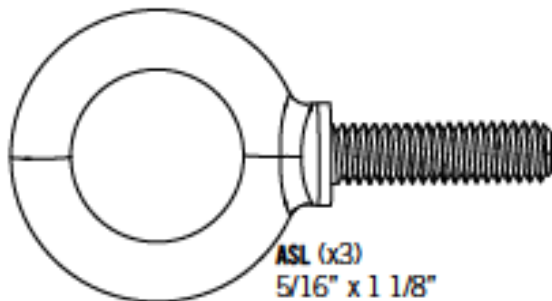
**BZY (x6)**  
5/16" x 2 1/2"



**ASM (x6)**



**ABK (x3)**  
5/16"



**ASL (x3)**  
5/16" x 1 1/8"

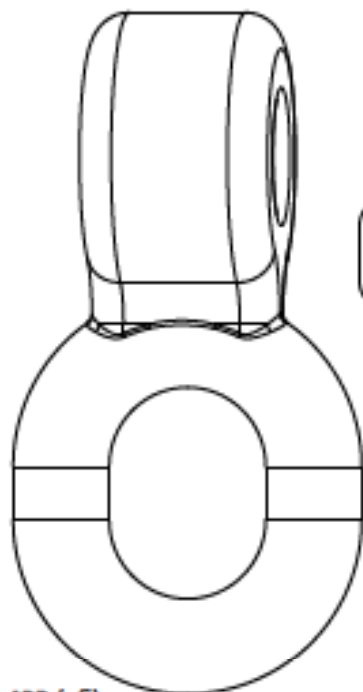


**ARM (x6)**  
5/16"



**ARL (x3)**  
1/4"

1



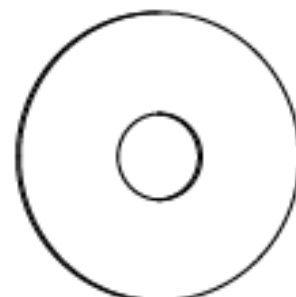
ARP (x6)



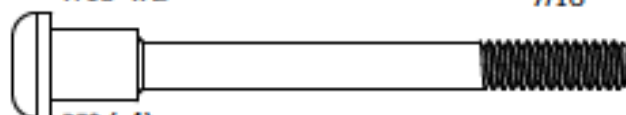
ARQ (x6)  
7/16" x 2"



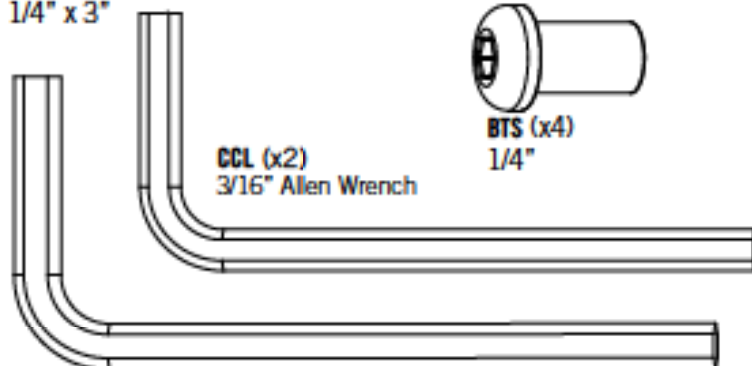
ARS (x12)  
7/16"



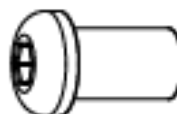
ART (x12)  
7/16"



BZO (x4)  
1/4" x 3"



CCL (x2)  
3/16" Allen Wrench



BTS (x4)  
1/4"



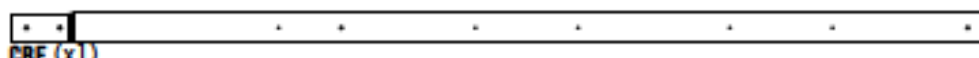
ARR (x6)  
7/16"



ASP (x1)  
1/4" Allen Wrench



1

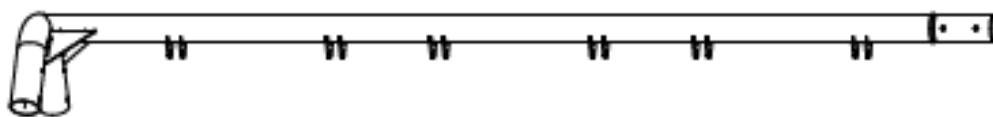


CBF (x1)

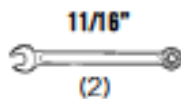


CBE (x1)

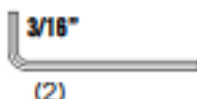
2



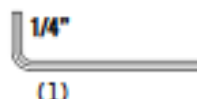
CBO (x1)



11/16"  
(2)

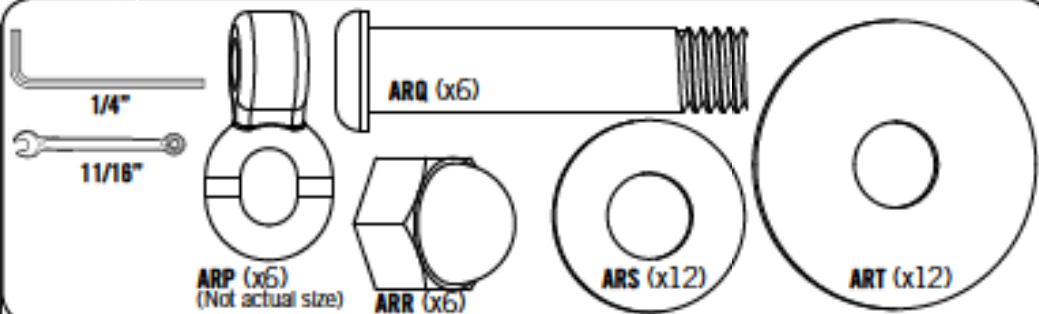
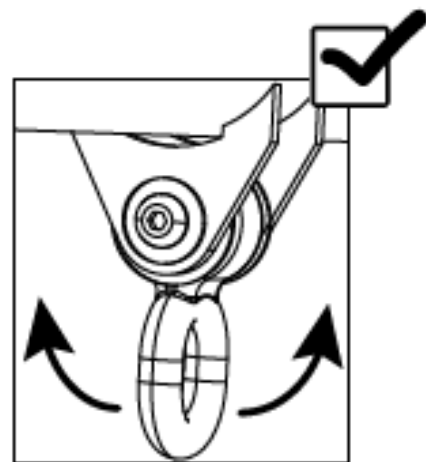
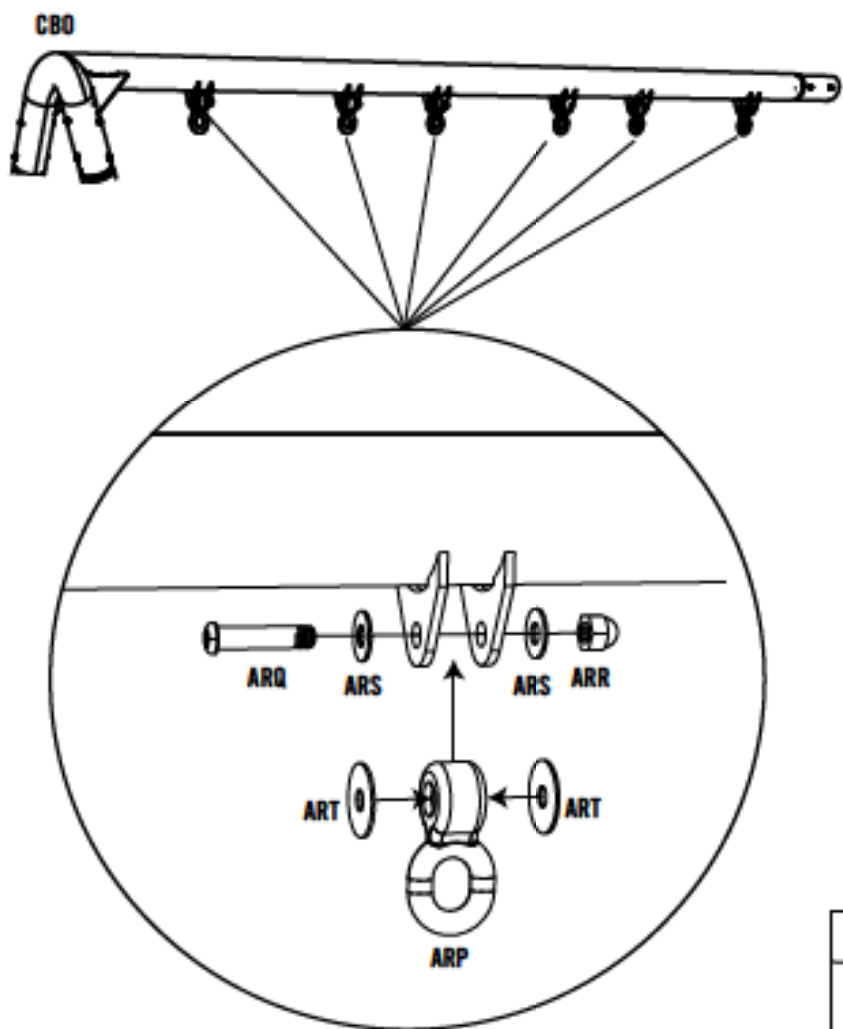


3/16"  
(2)



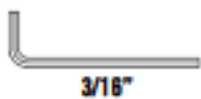
1/4"  
(1)



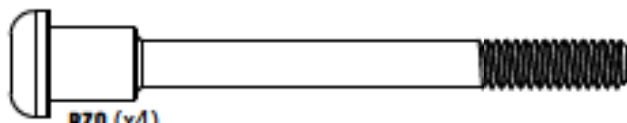
**1****1.1**



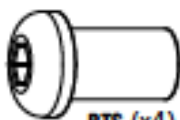
1



3/16"



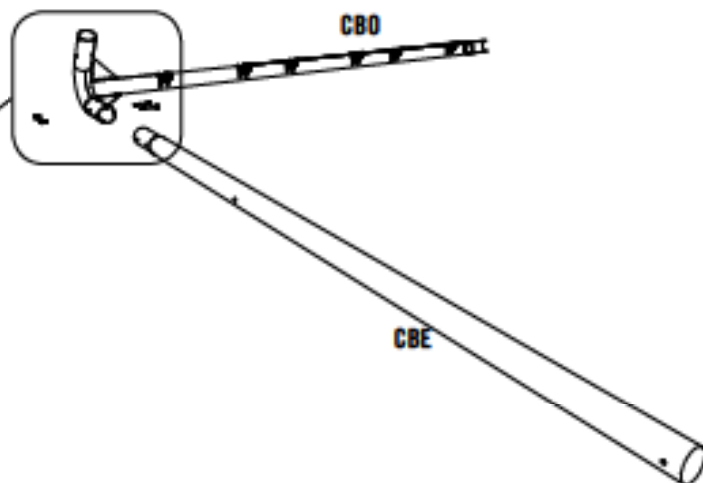
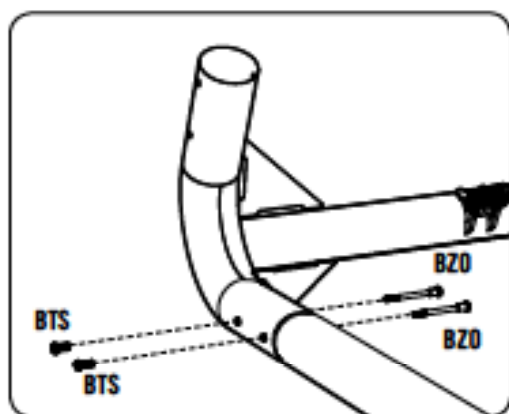
BZO (x4)



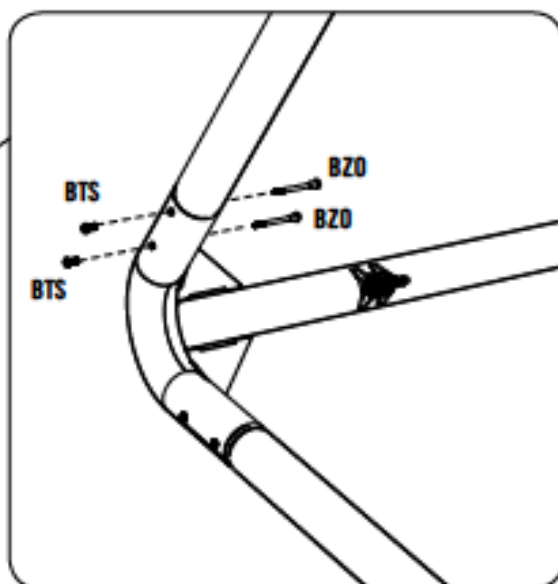
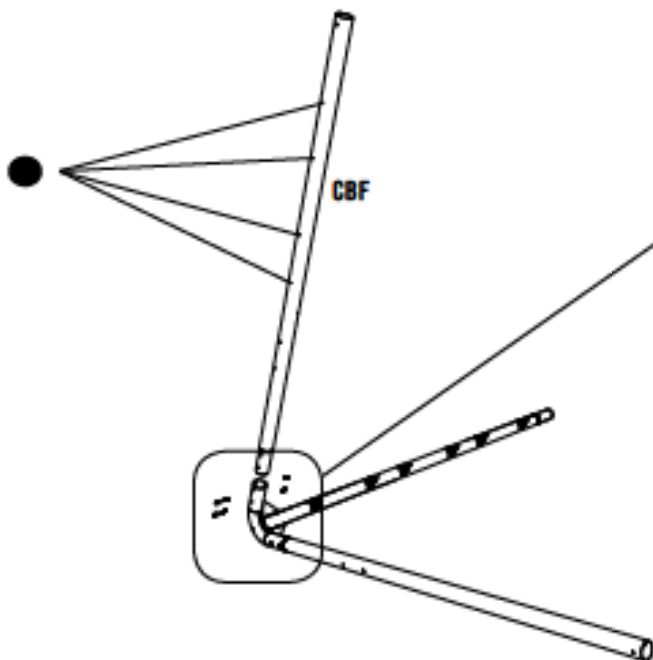
BTS (x4)



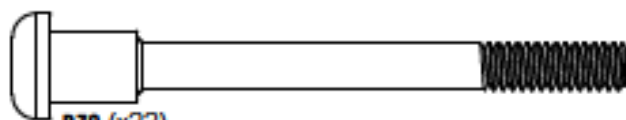
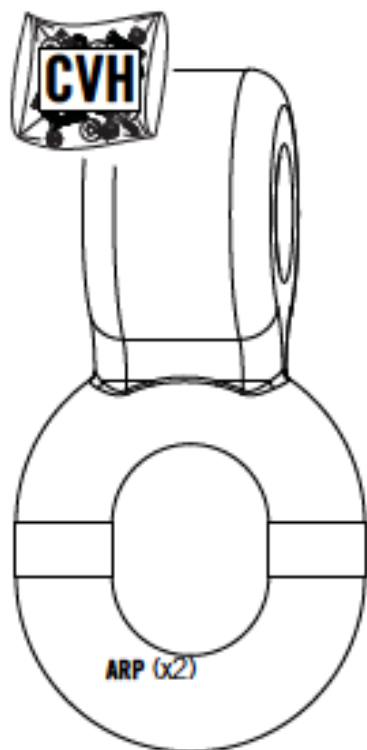
1.2



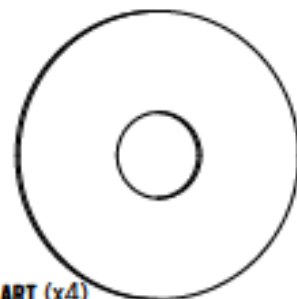
1.3



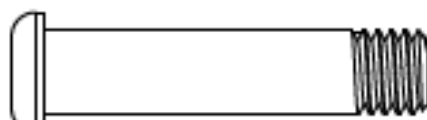
2



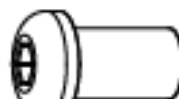
BZO (x22)  
1/4" x 3"



ART (x4)  
7/16"



ARQ (x2)  
7/16" x 2"



BTS (x22)  
1/4"



ARR (x2)  
7/16"

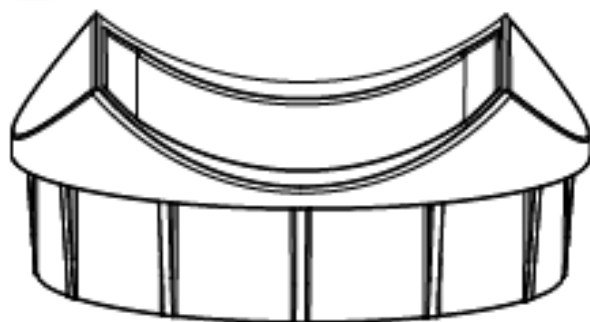


BZX (x10)  
.343"

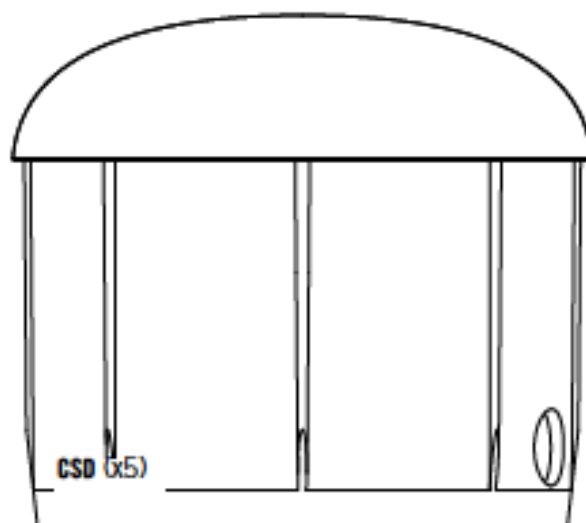


ARS (x4)  
7/16"

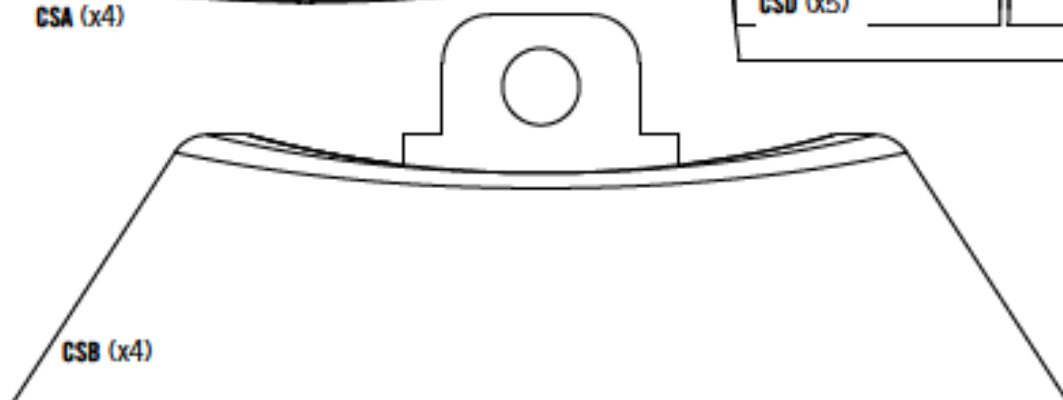
ARP (x2)



CSA (x4)



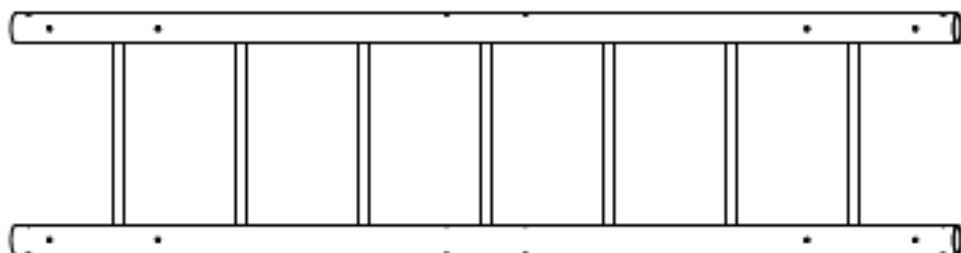
CSD (x5)



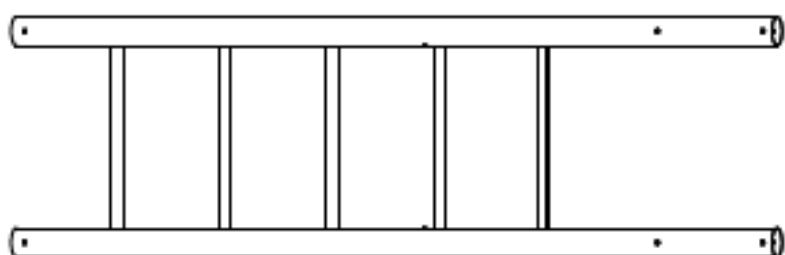
CSB (x4)



4



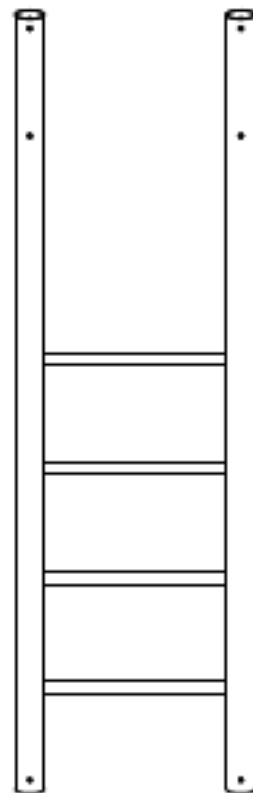
CSC (x1)



CRY (x1)



CWV (x4)



CRX (x1)

2



CRR (x1)



11/16"



(1)

3/16"



(2)

1/4"



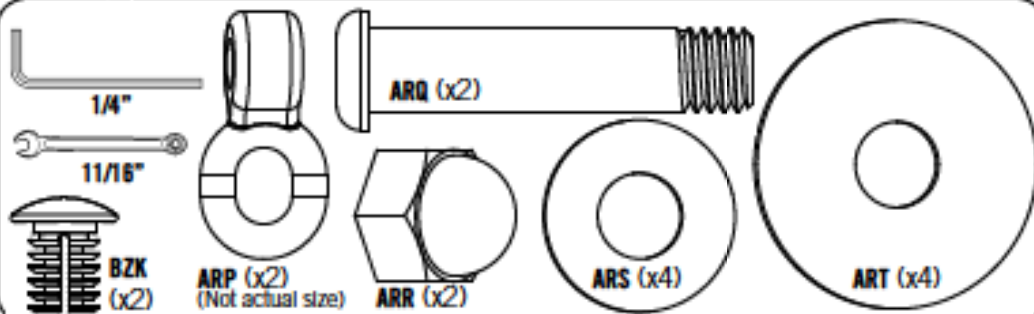
(1)



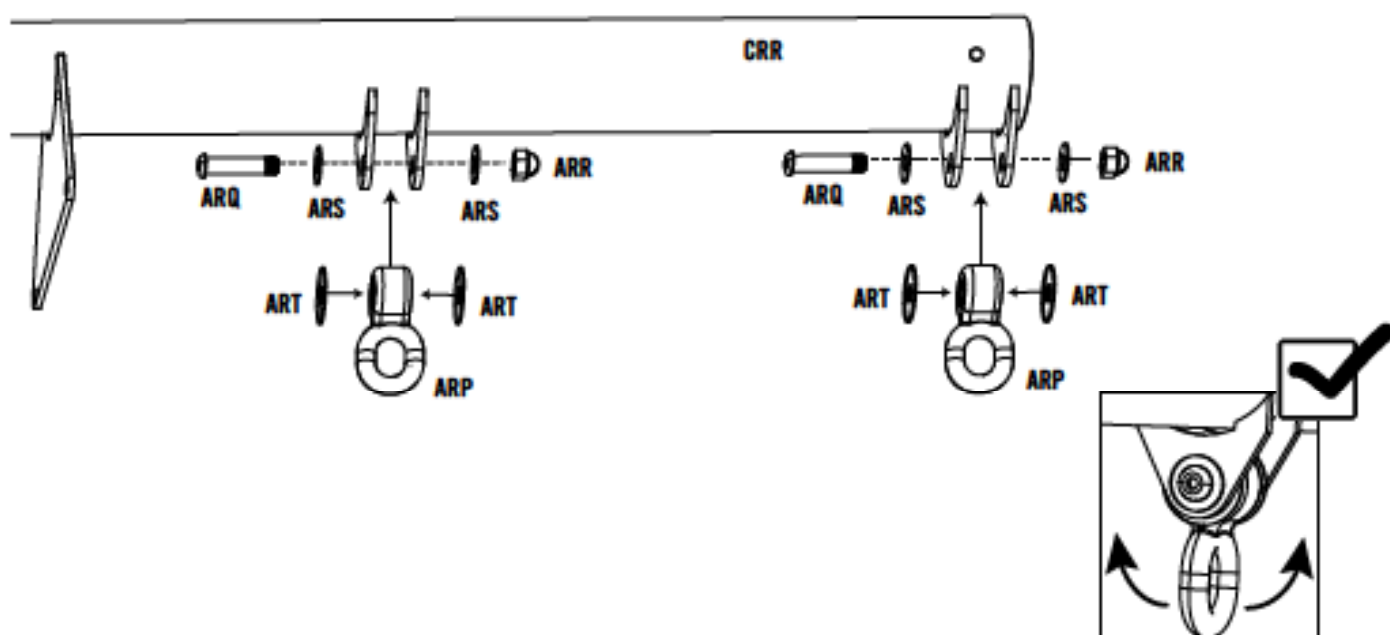
(1)



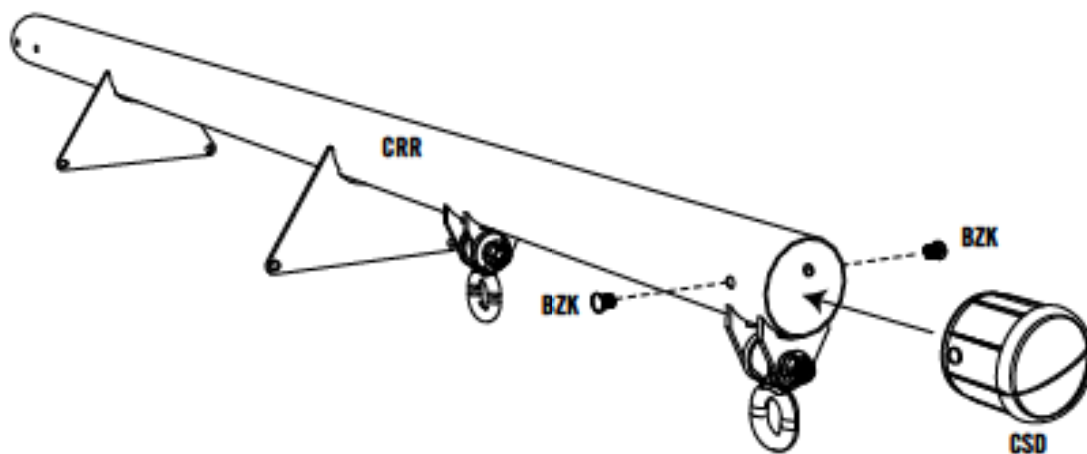
2



## 2.1

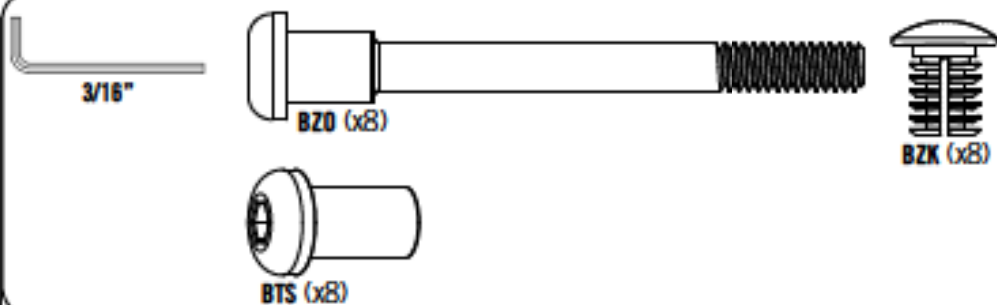


## 2.2

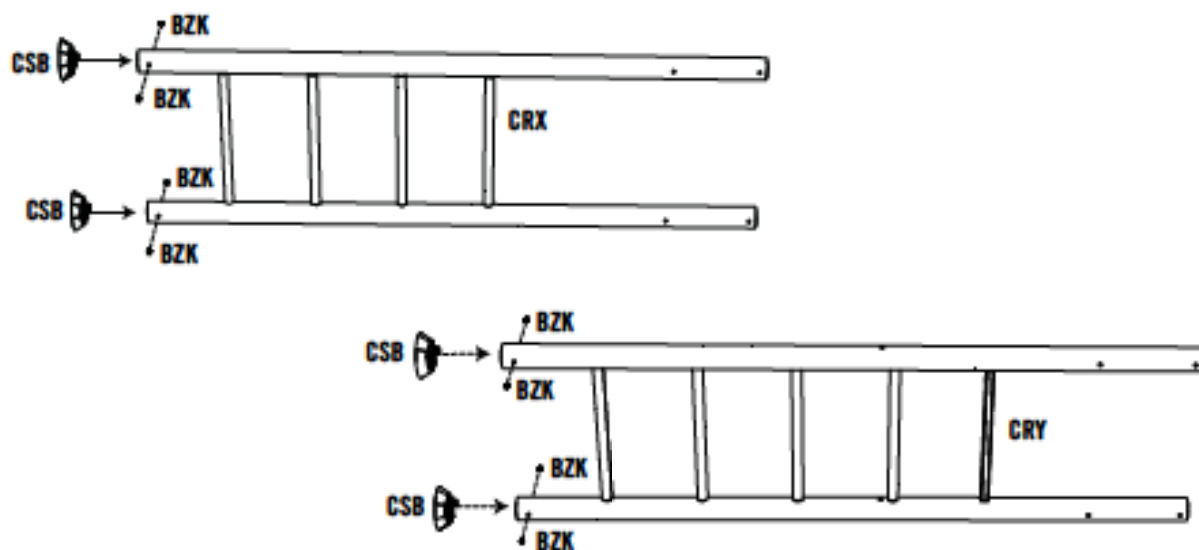




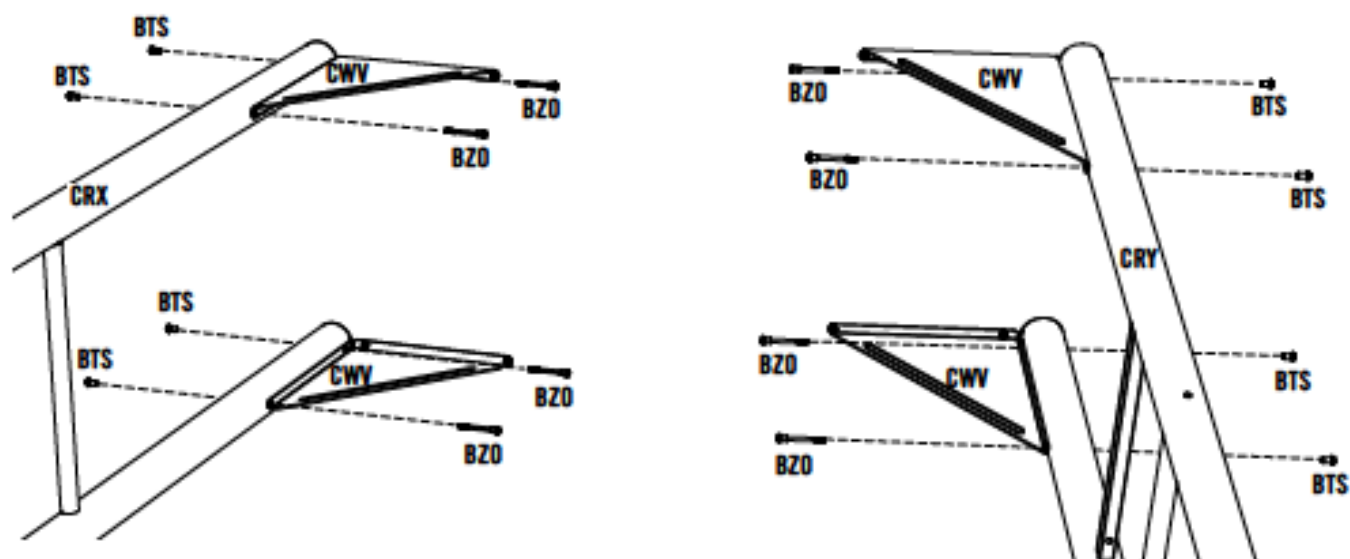
2



## 2.3

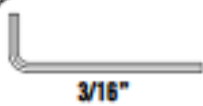


## 2.4

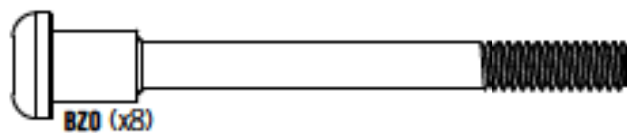




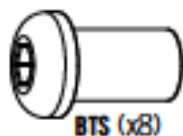
2



3/16"



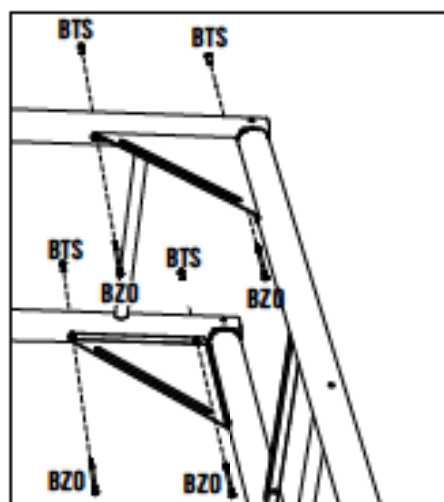
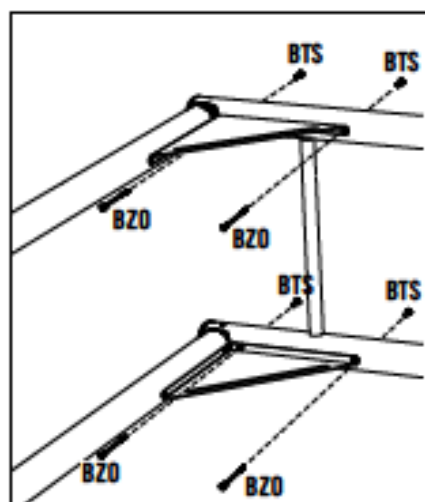
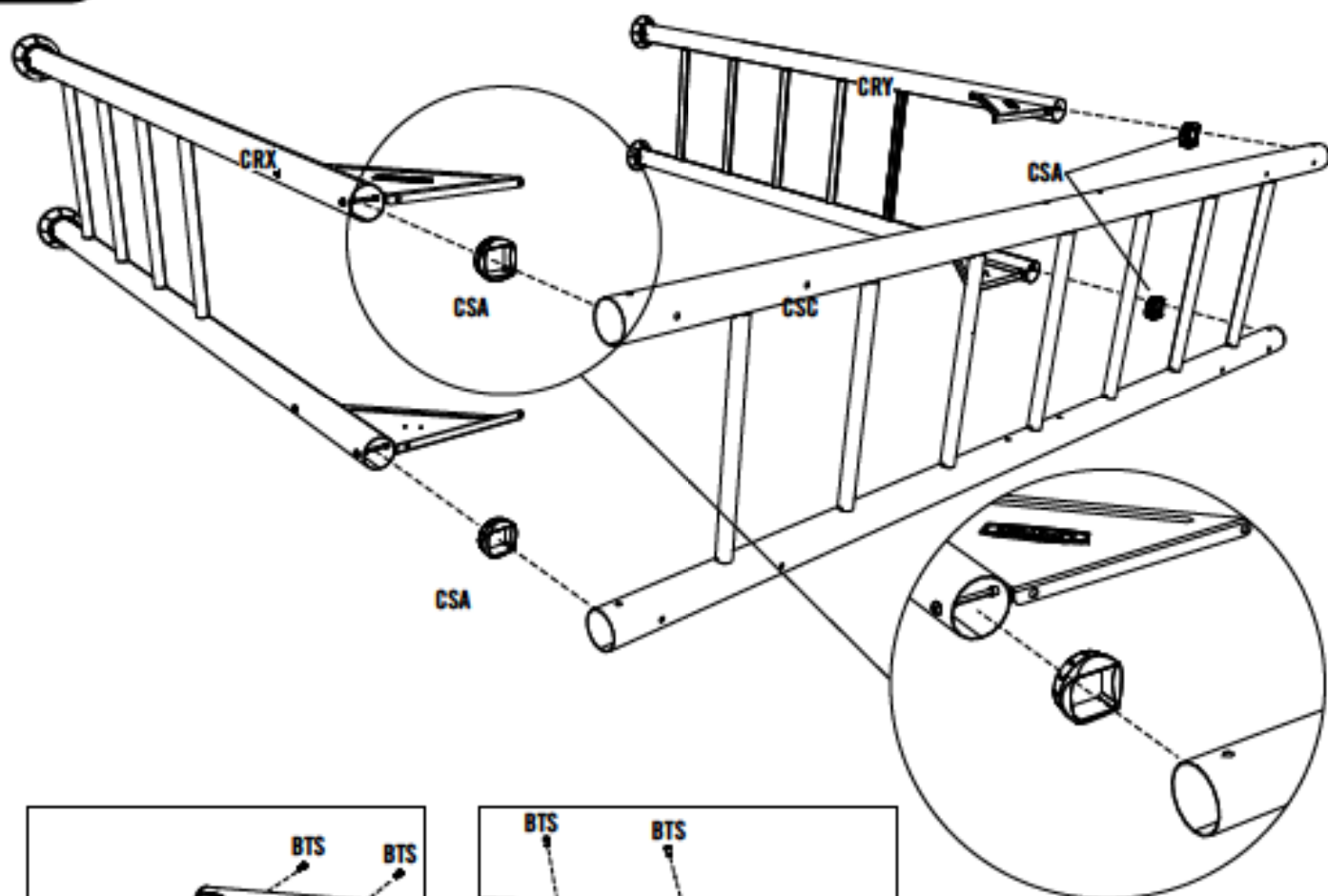
BZO (x8)



BTS (x8)



2.5

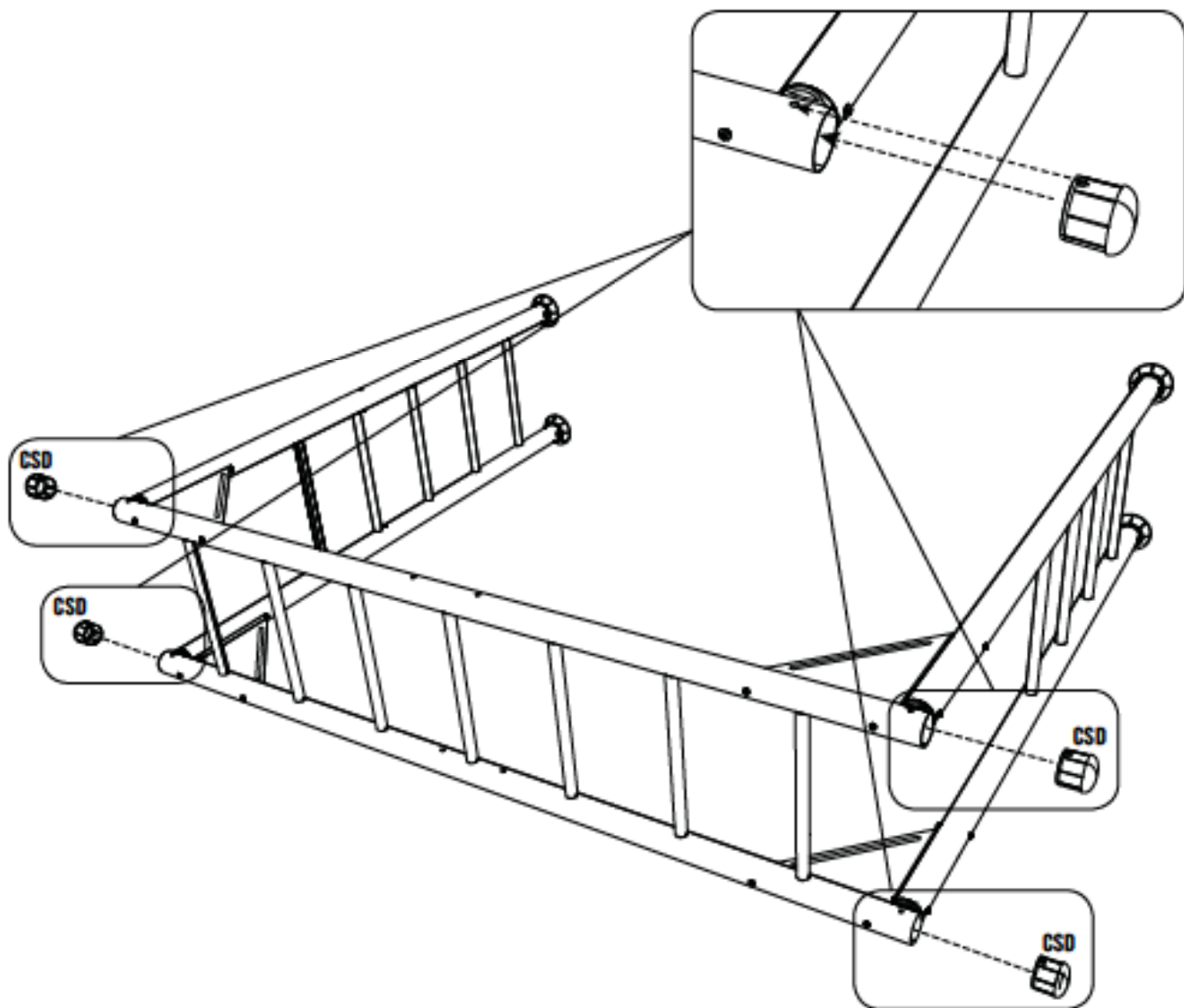




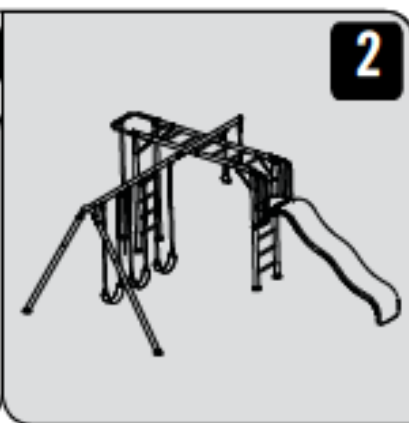
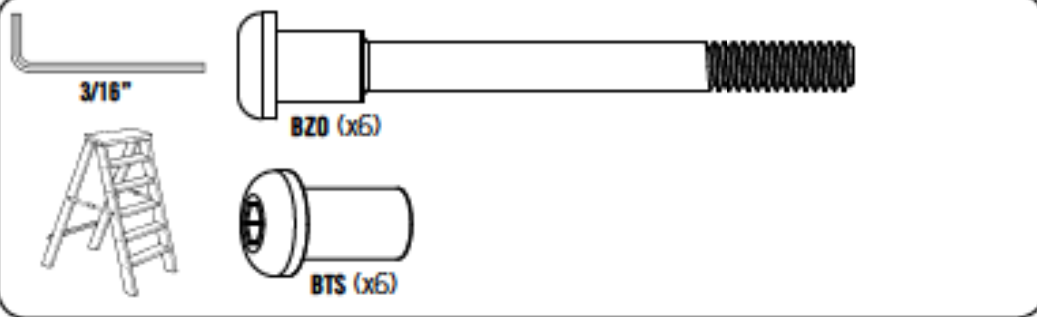
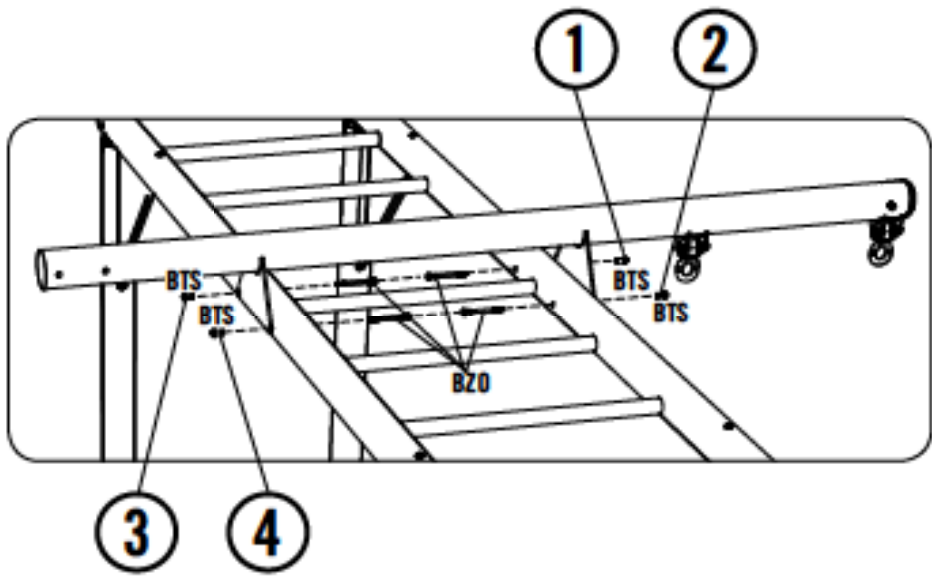
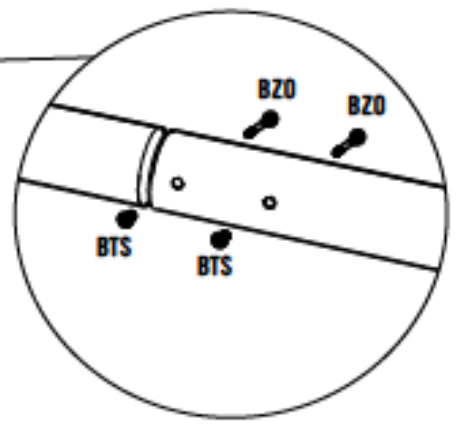
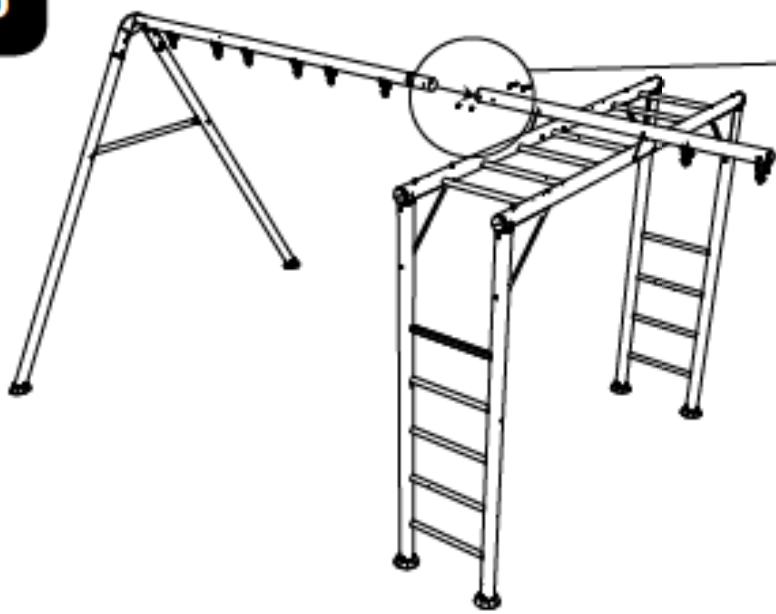
2



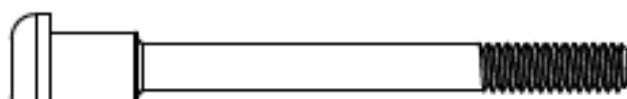
2.6



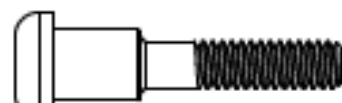


**2****2.7****2.8**

3



**BZO (x4)**  
1/4" x 3"



**BZN (x4)**  
1/4" x 1 1/2"



**ARX (x3)**  
5/16" x 1 1/4"



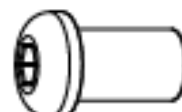
**ARM (x3)**  
5/16"



**ARL (x6)**  
1/4"



**CVZ (x4)**  
5/16"



**BTS (x8)**  
1/4"



**BEK (x1)**



2



**CRU (x1)**



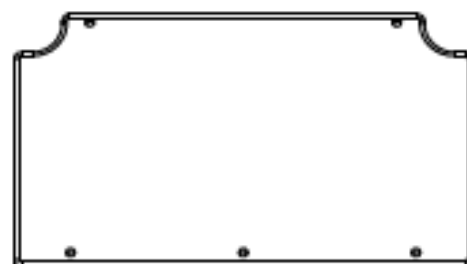
4



**CRQ (x2)**



5



**BED (x1)**



3/16"



(2)

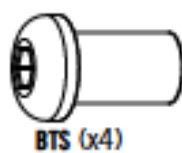
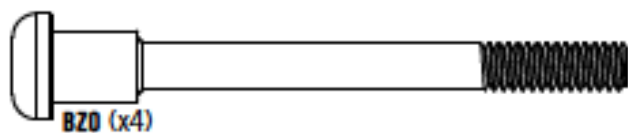
1/2"



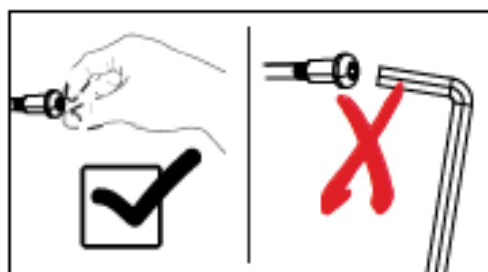
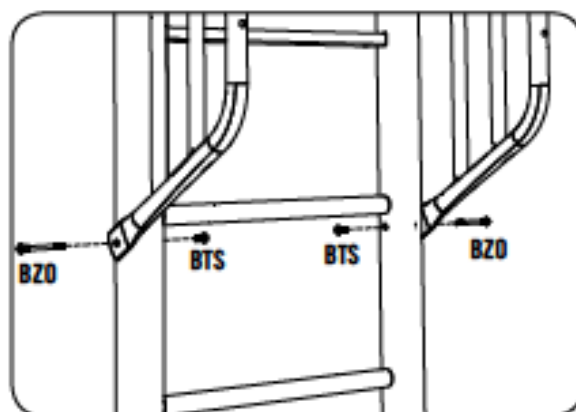
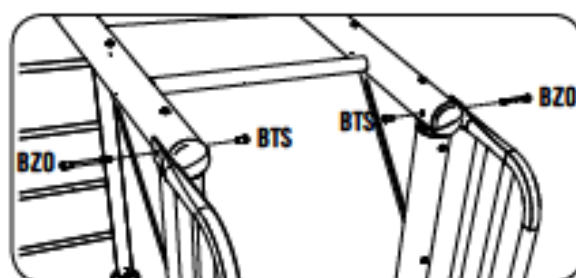
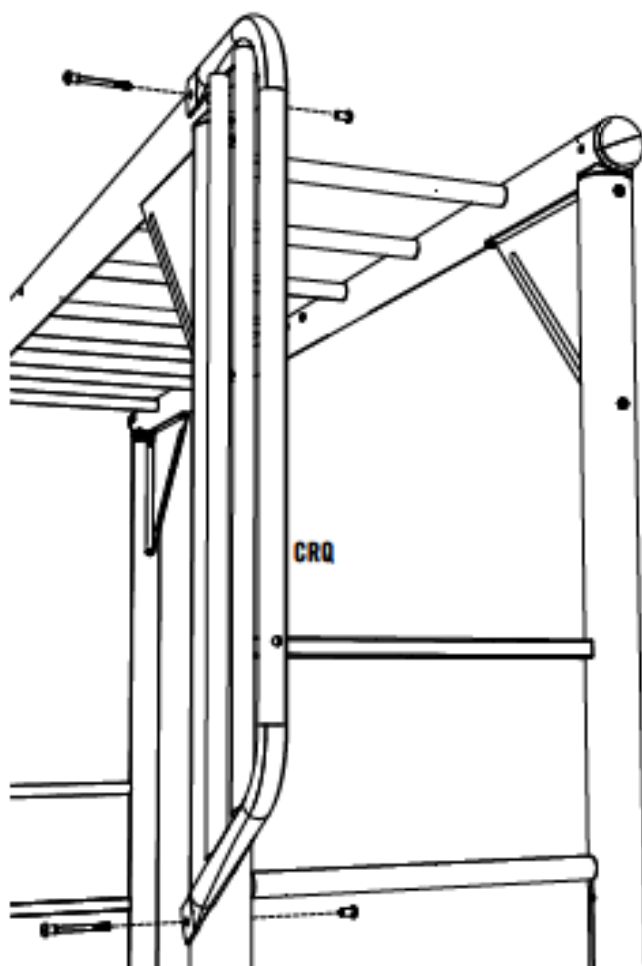
(1)



3



3.1

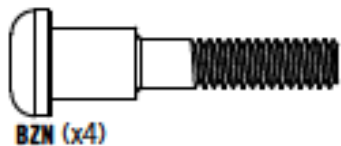




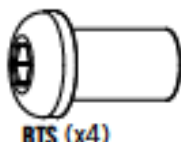
3



3/16"



BZN (x4)



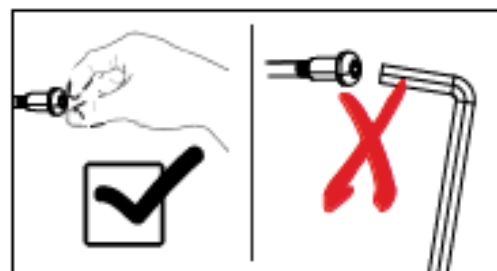
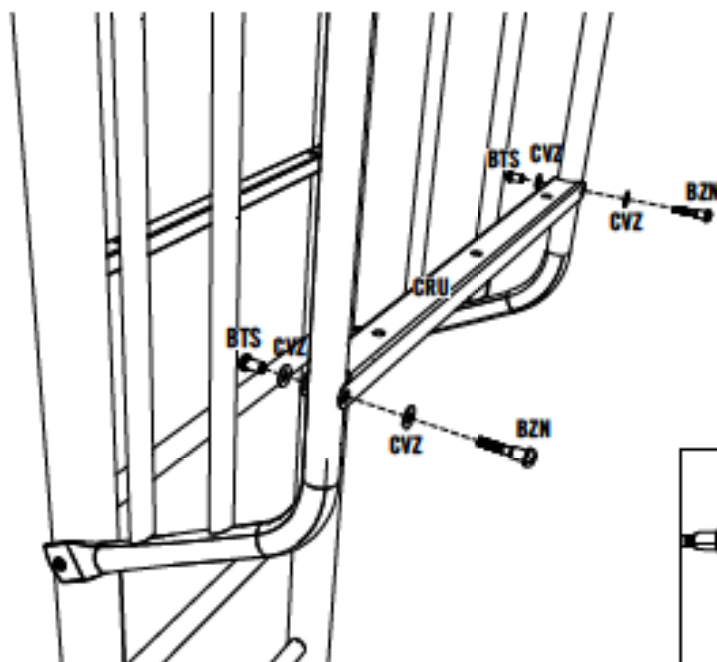
BTS (x4)



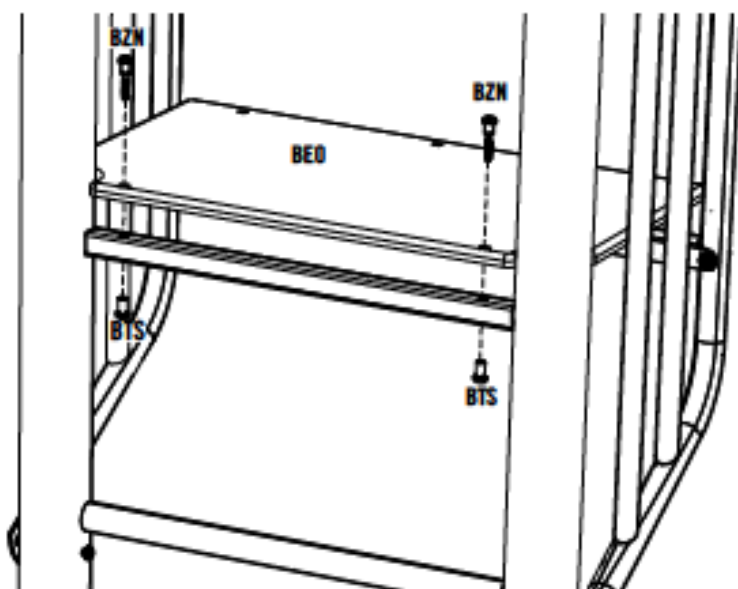
CVZ (x4)



3.2



3.3



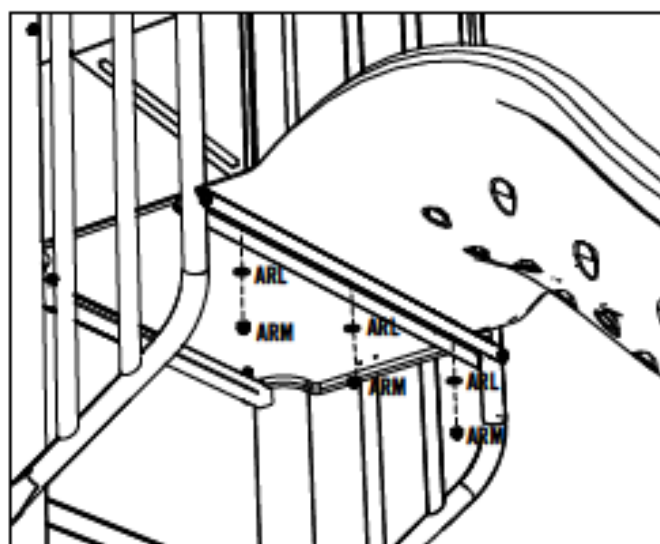
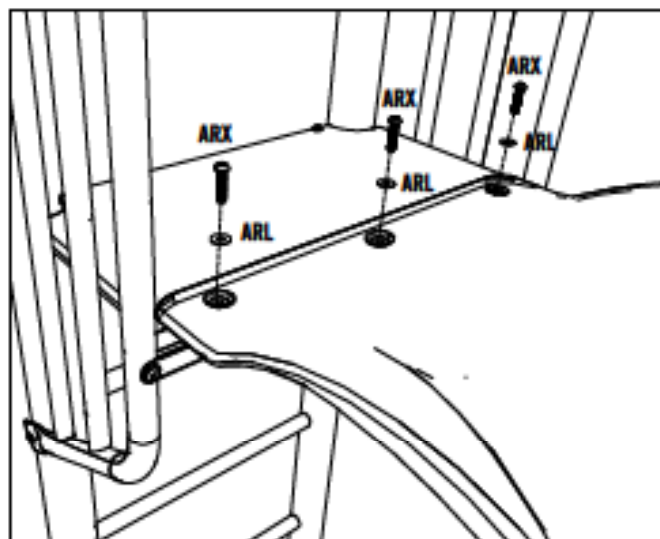
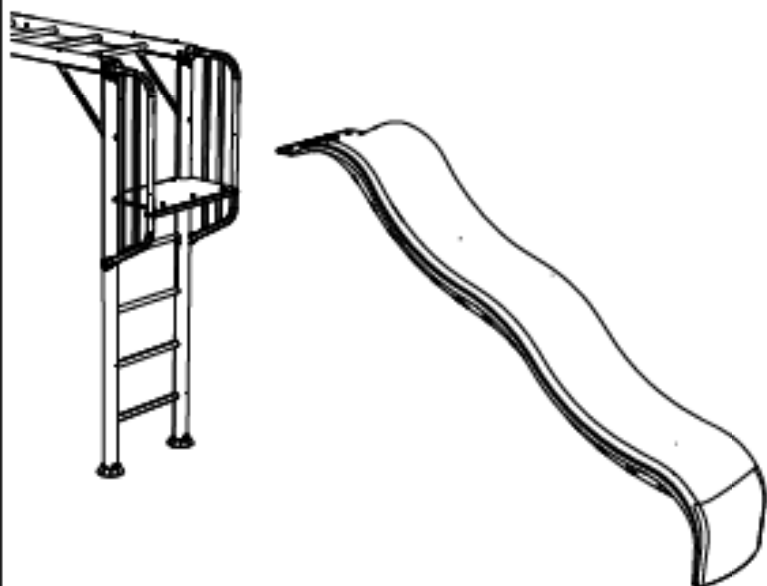
3.1-3.3



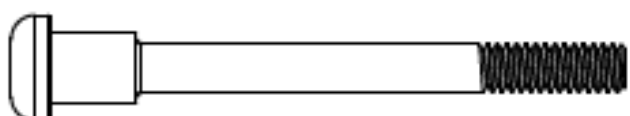
3



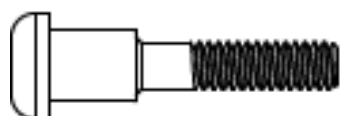
3.4



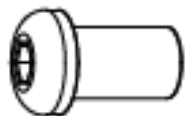
4



BZD (x2)  
1/4" x 3"



BZN (x1)  
1/4" x 1 1/2"



BTS (x3)  
1/4"



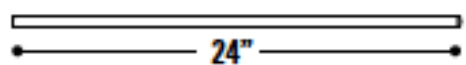
1



2



4



CRZ (x1)



CRT (x1)



CRS (x1)



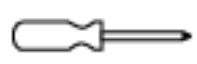
(1)



(2)



(1)



(1)

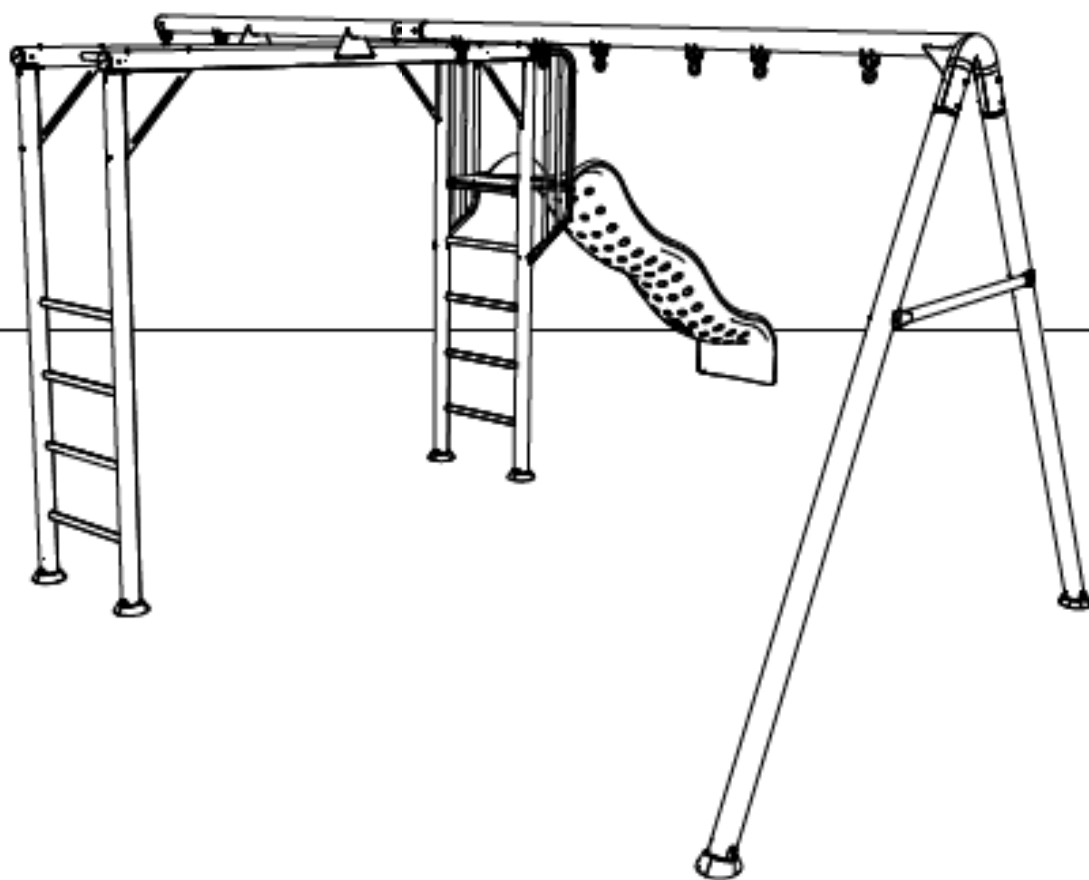
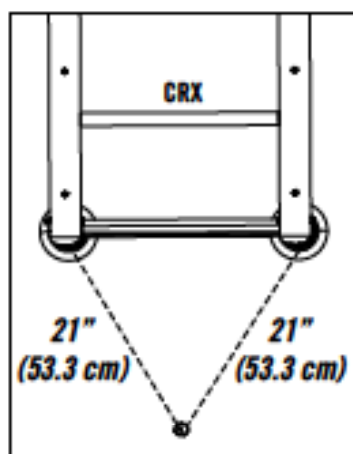


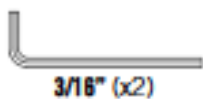


4

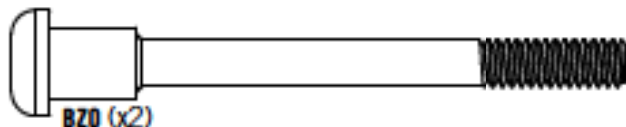


4.1

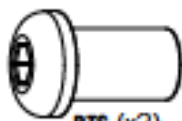


**4**

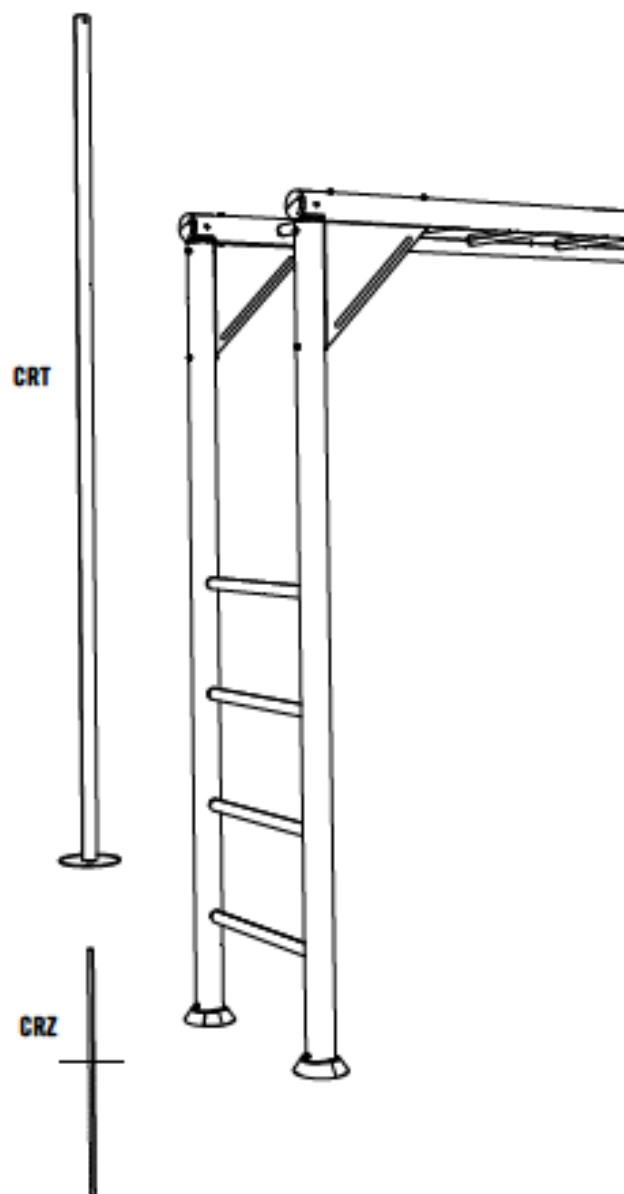
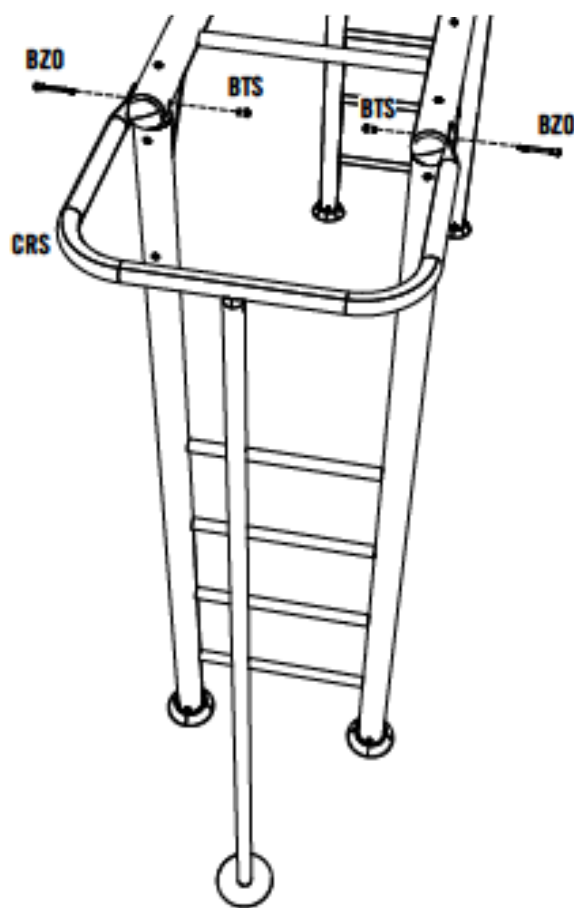
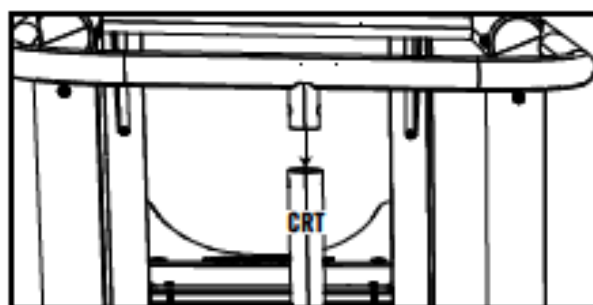
3/16" (x2)



BZO (x2)



BTS (x2)

**4.2****4.3**

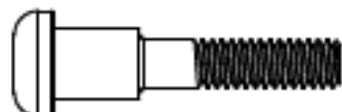




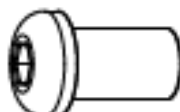
4



3/16" (x2)



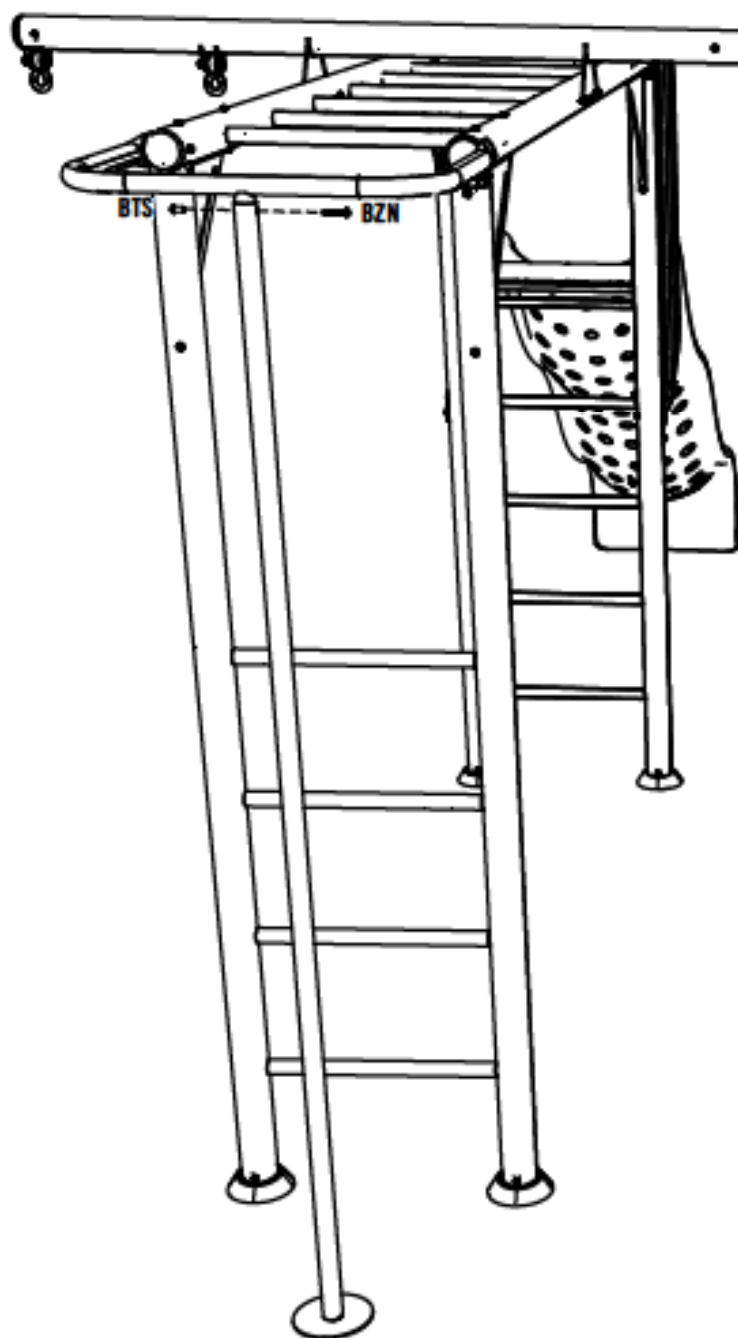
BZN (x1)



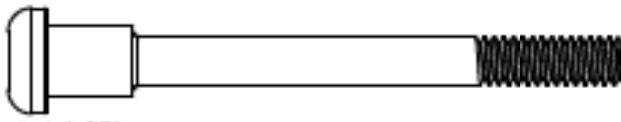
BTS (x1)



4.4



5



**BZD** (x10)  
1/4" x 3"



**AAF** (x8)  
3/8"



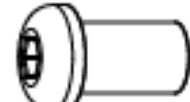
**ARL** (x3)  
1/4"



**ATV** (x2)  
1/4" x 3 3/4"



**ARV** (x8)  
#14 x 3/4"



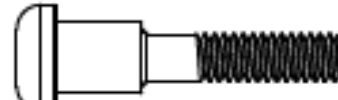
**BTS** (x20)  
1/4"



**ARU** (x1)  
5/16" x 2 1/2"



**ARD** (x4)  
.343"



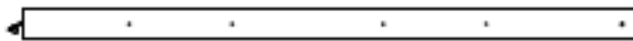
**BZN** (x10)  
1/4" x 1 1/4"



**CBI** (x1)



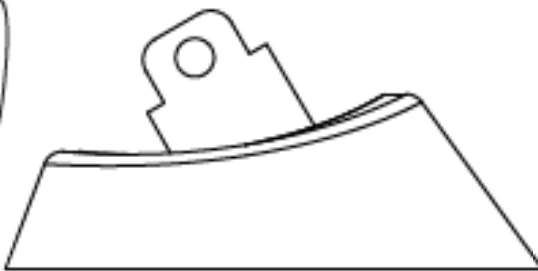
**CBK** (x1)



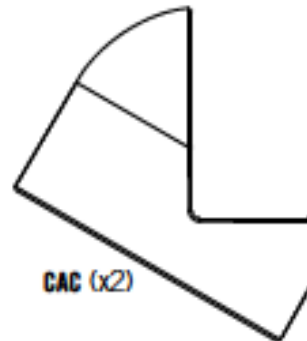
**CAZ** (x1)



**CAY** (x1)



**BZI** (x4)



**CAC** (x2)



**ARY** (x2)

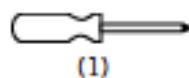
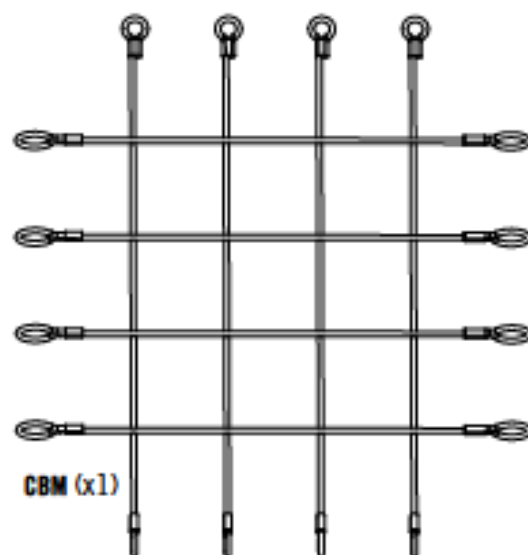
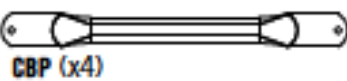
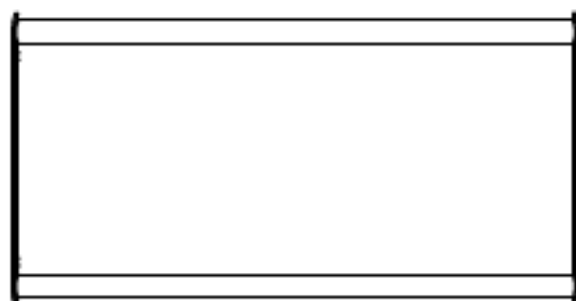
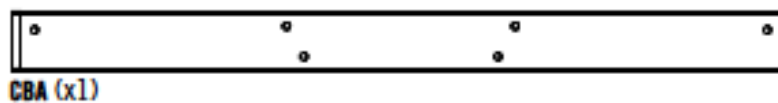
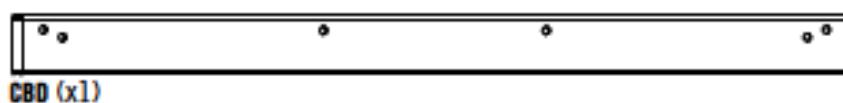
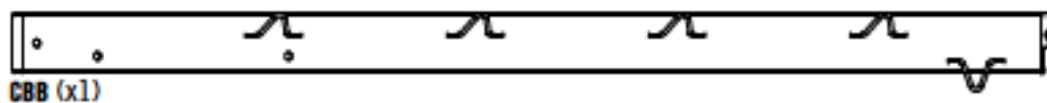
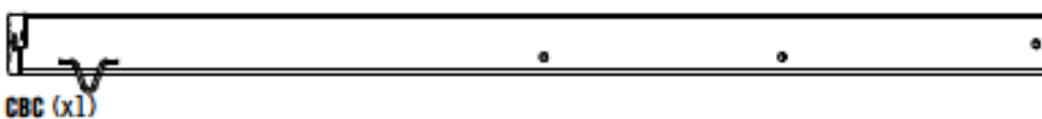
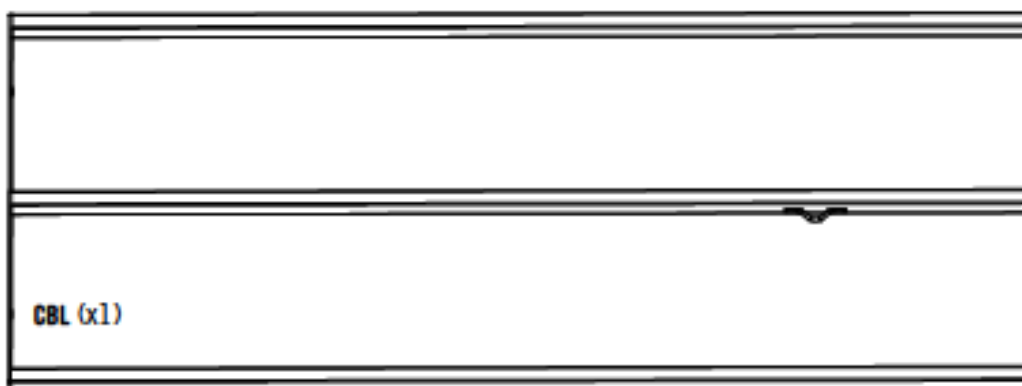


**BZN** (x6)

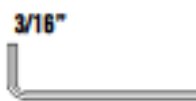


**BZL** (x2)  
3"

5



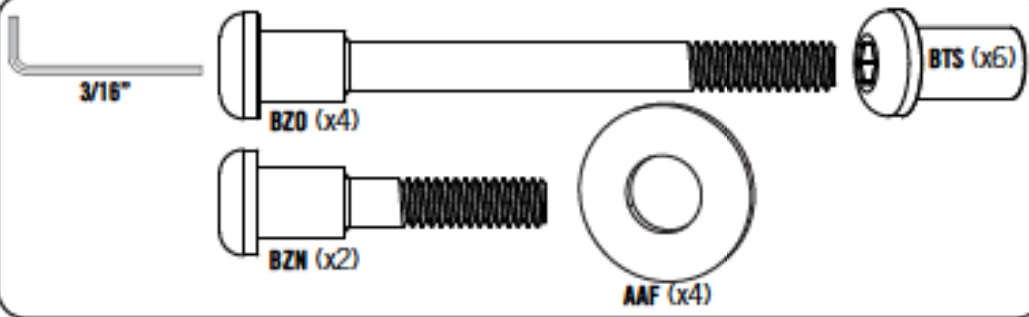
(1)



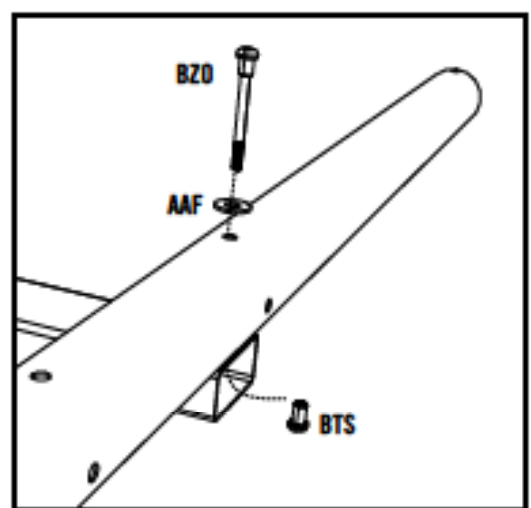
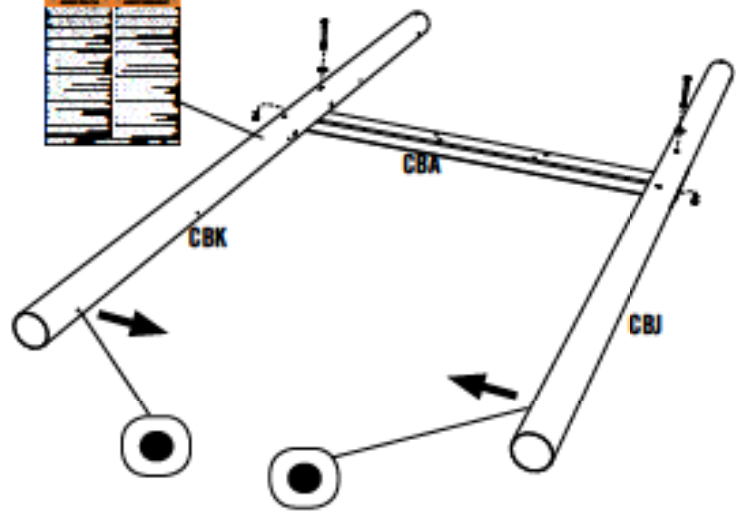
(2)



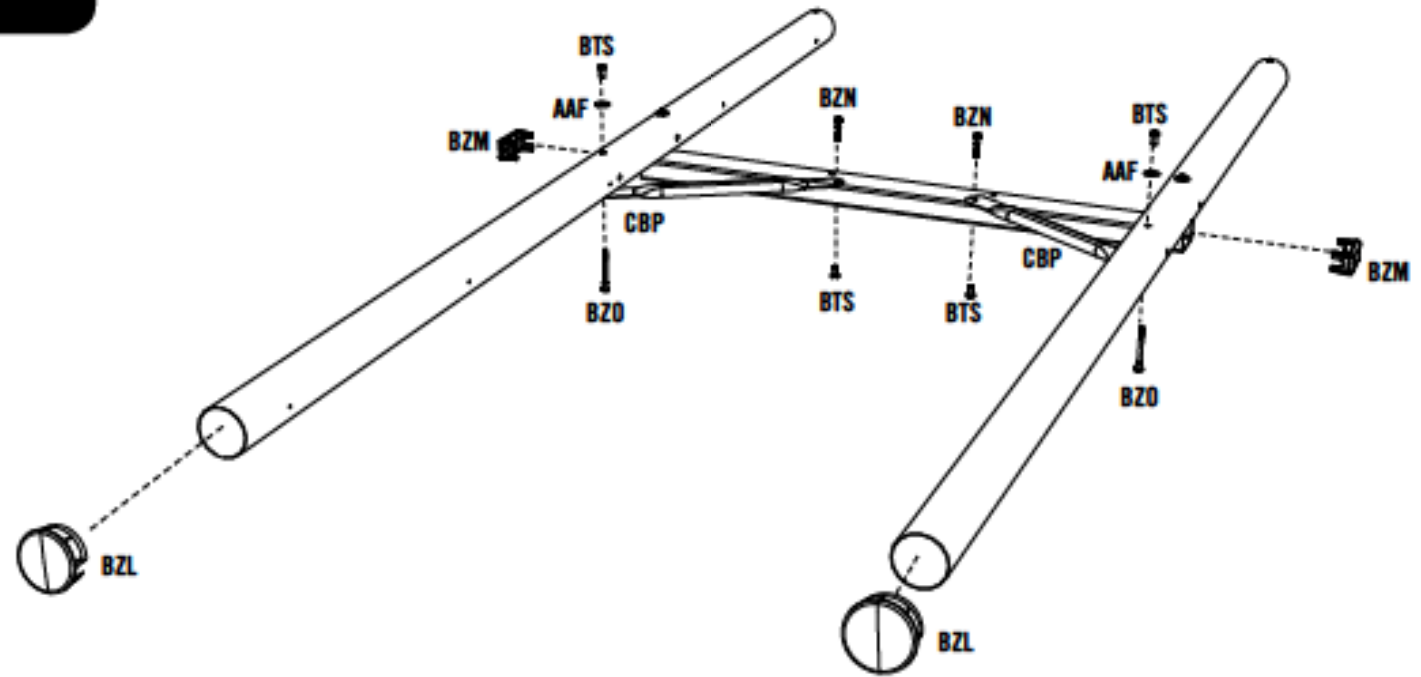
5



### 5.1

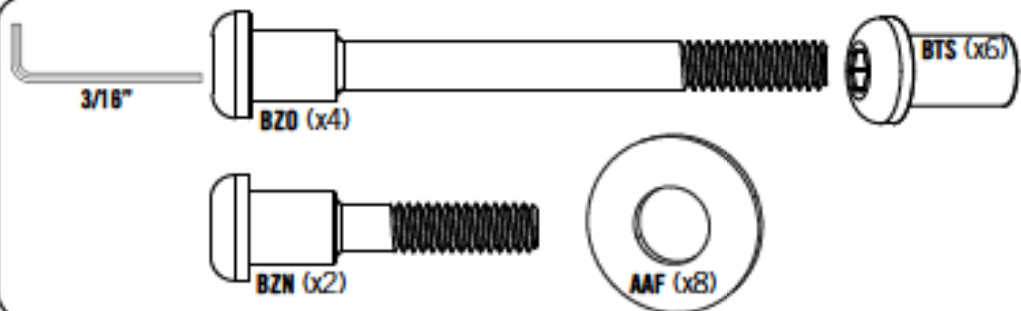


### 5.2

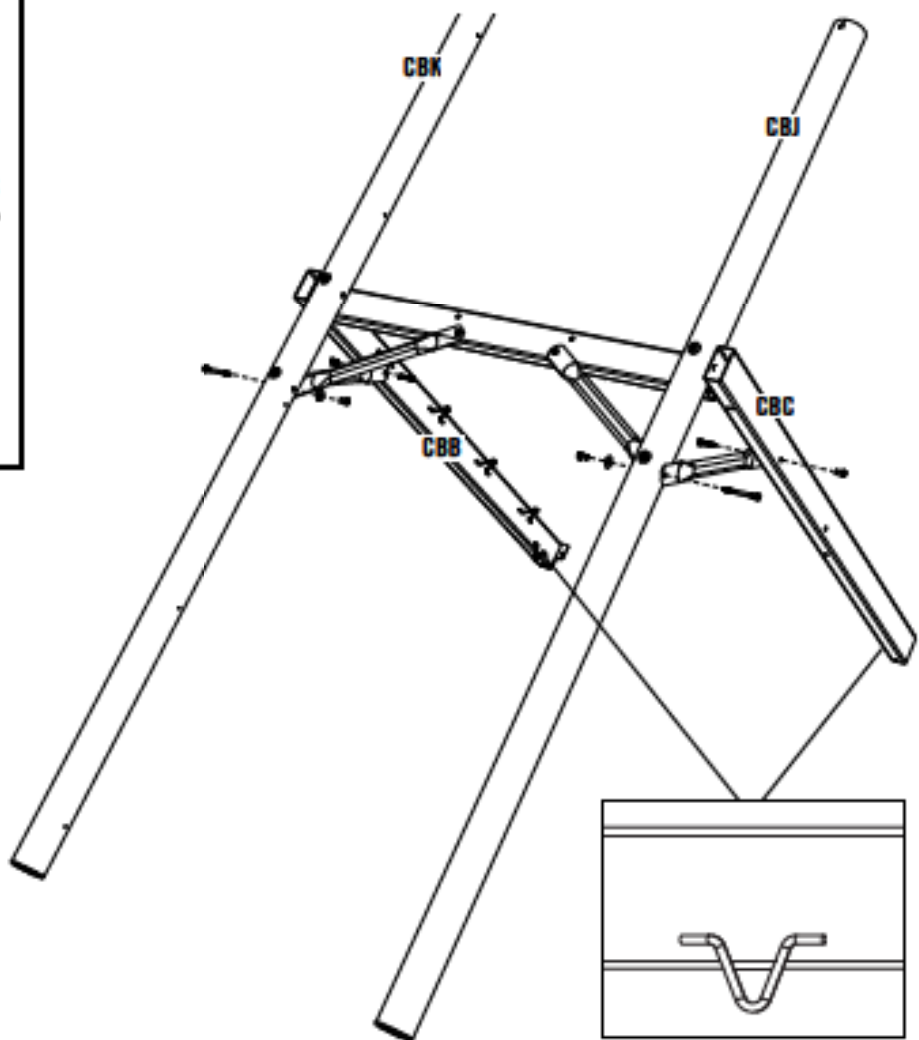
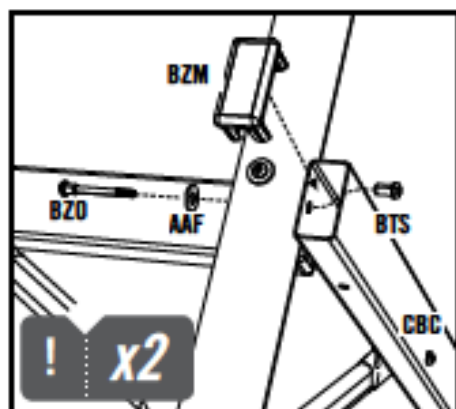
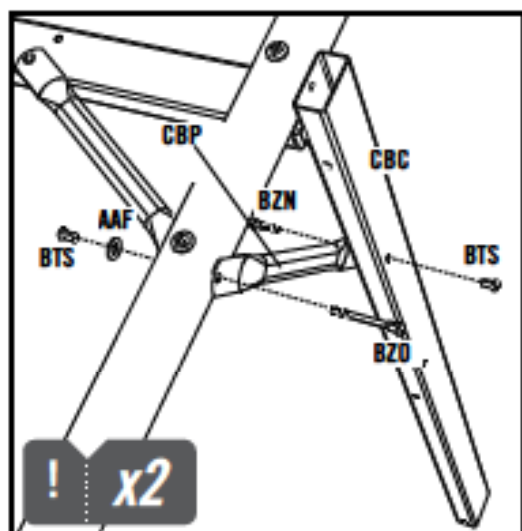




5



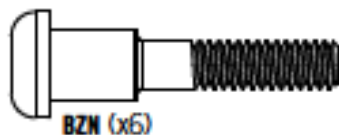
### 5.3



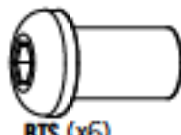


5

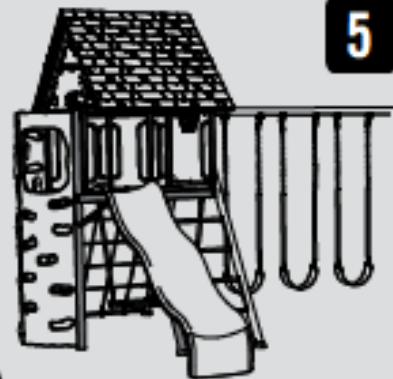
3/16"



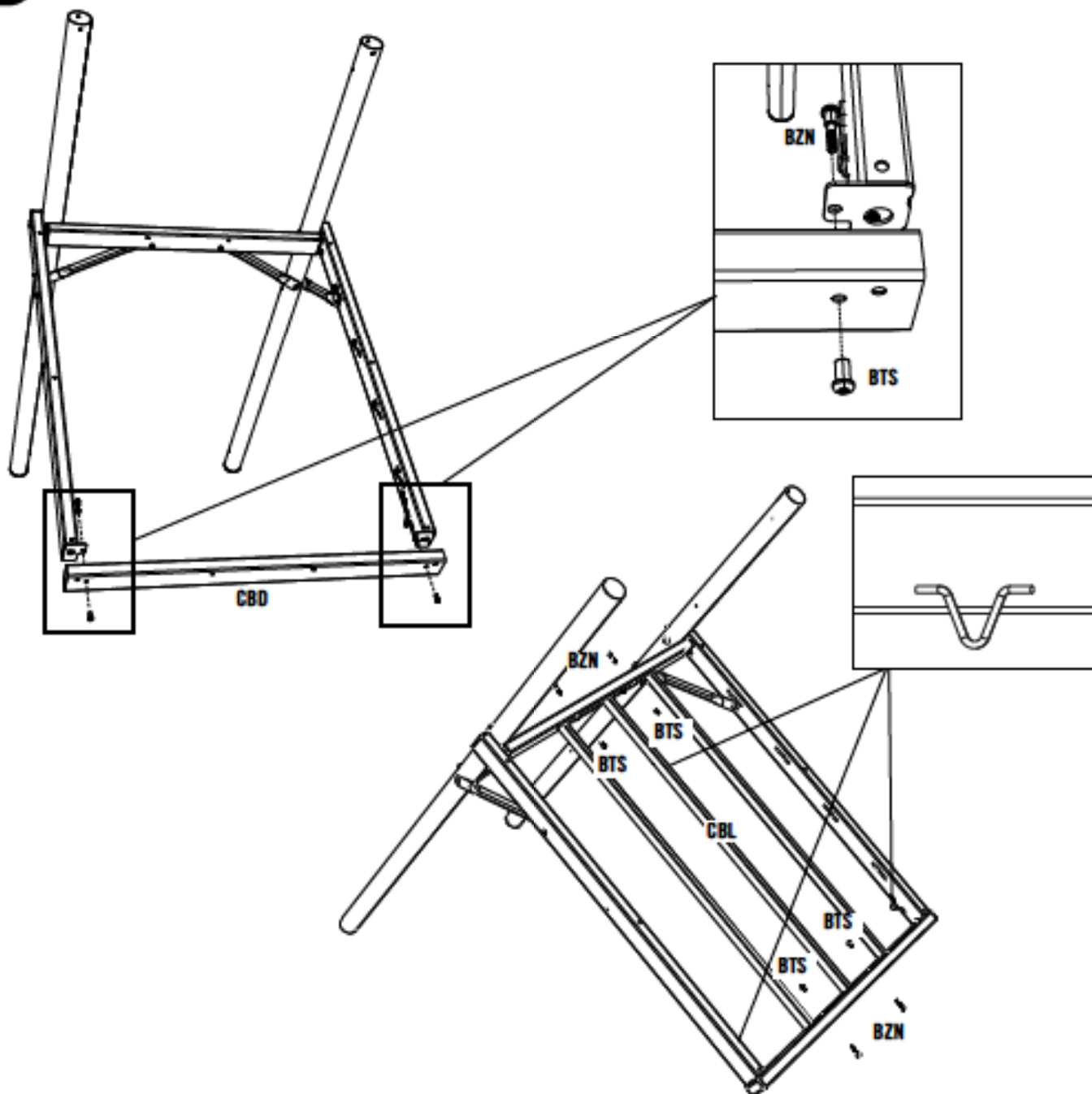
BZN (x6)



BTS (x6)

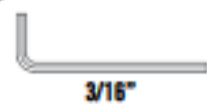


5.4

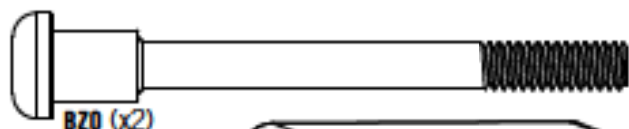




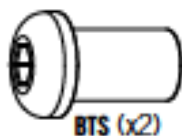
5



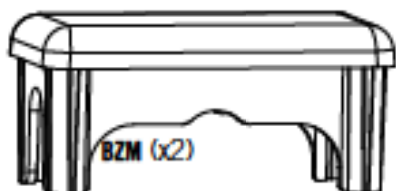
3/16"



BZO (x2)



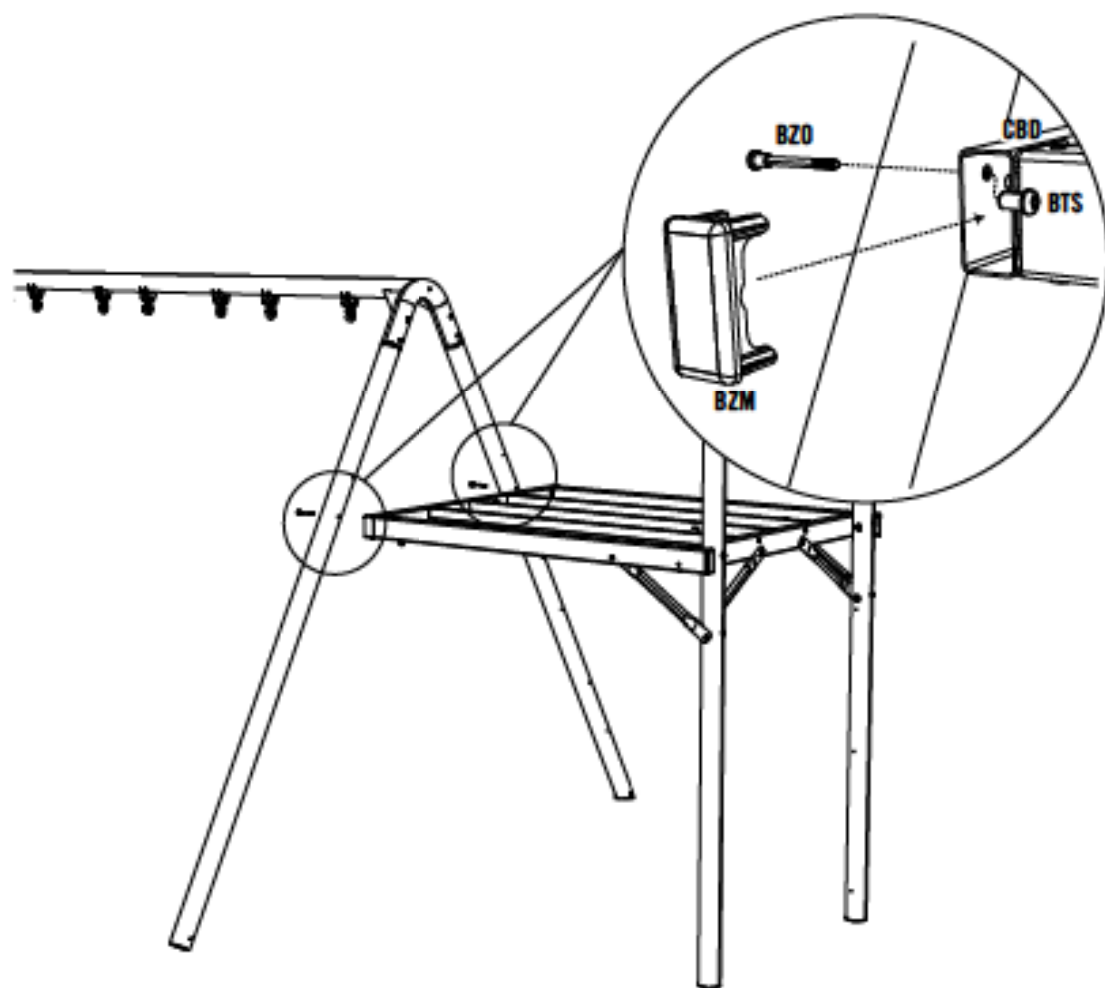
BTS (x2)



BZM (x2)



5.5





5



3/16"



ARU (x1)

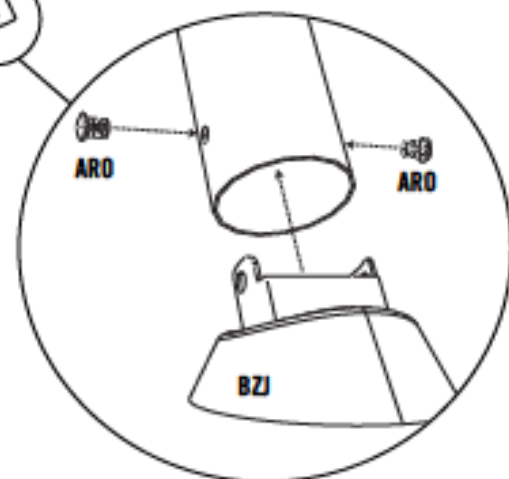
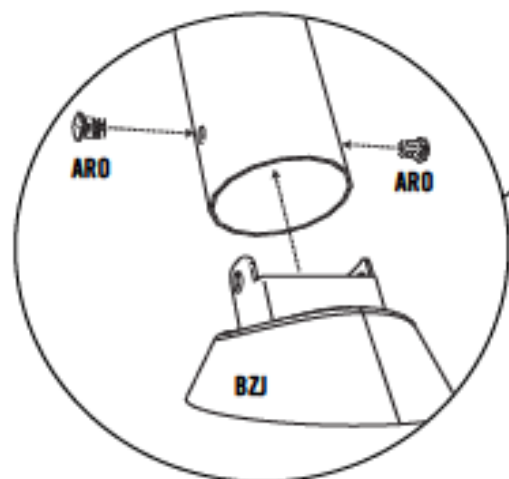
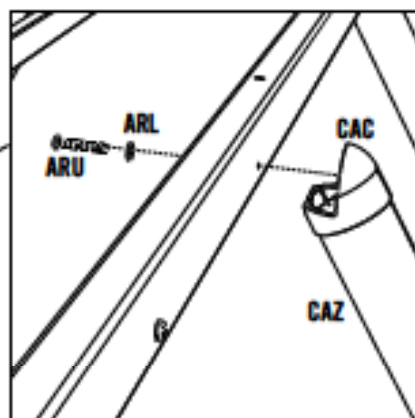
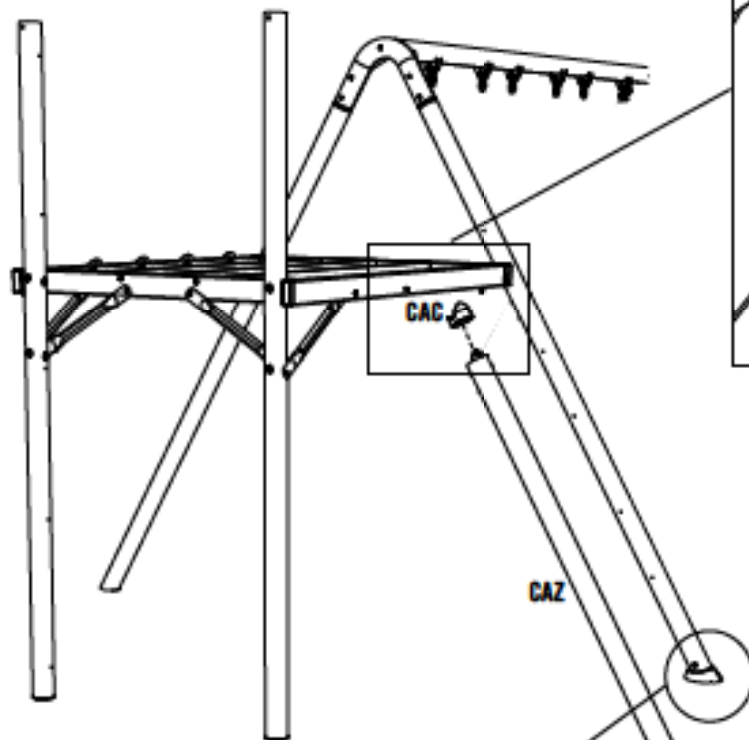


ARO (x4)



ARL (x1)

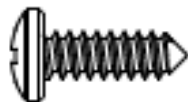
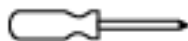
5.6







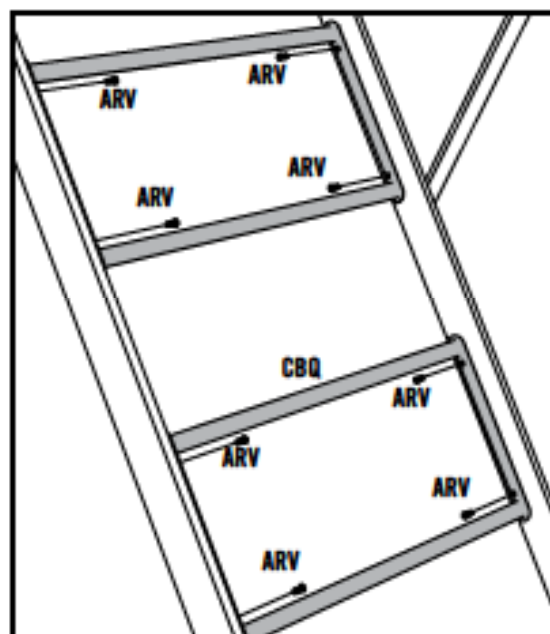
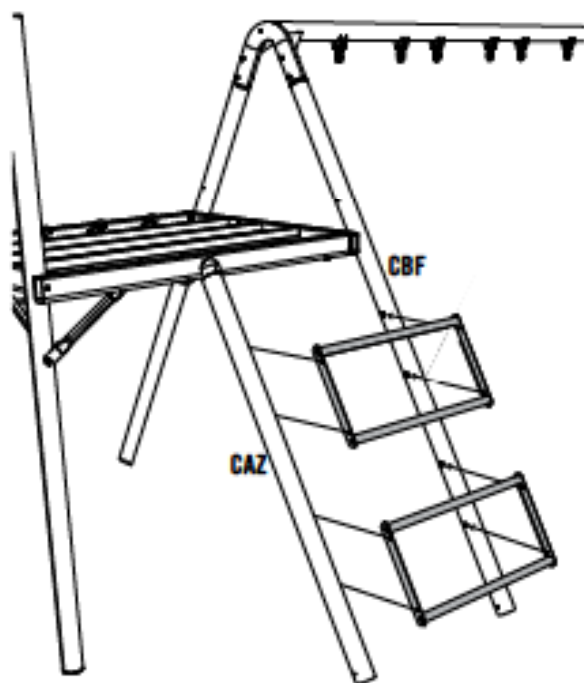
5

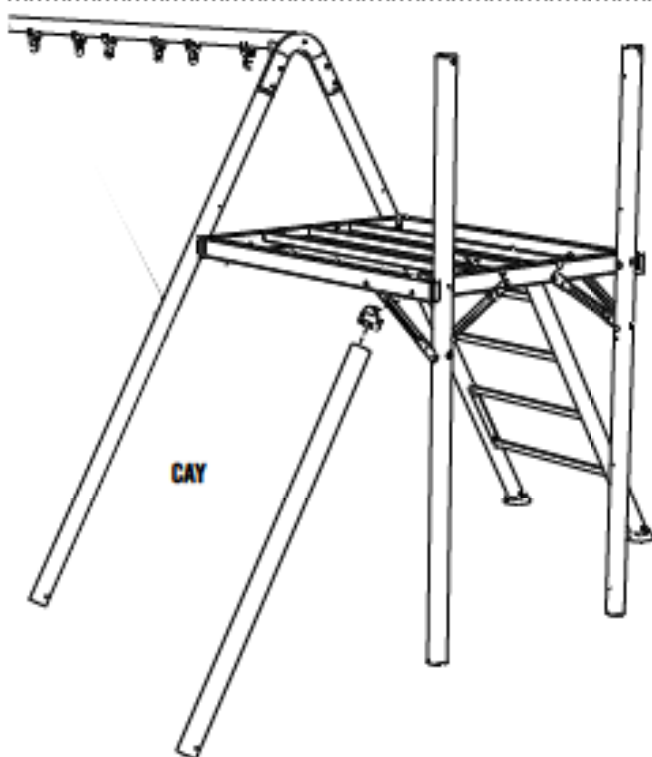


ARV (x8)



5.7

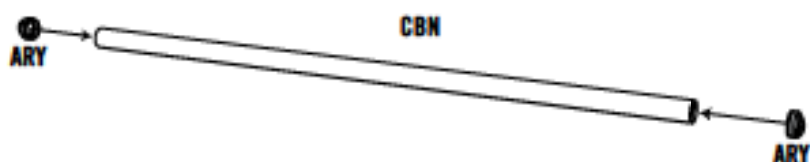


**5****5.8**

**!** *Note: DO NOT secure the Angled Cargo Net Leg with any hardware until instructed later in the assembly.*

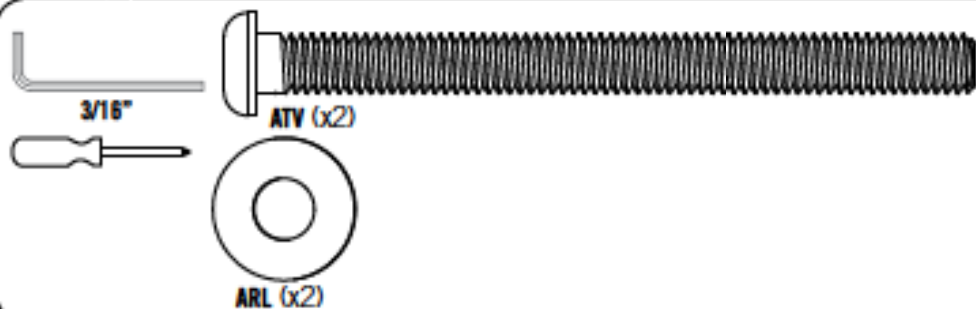
**!** *Nota: NO asegure la Pata de Carga Angulada con ninguna pieza de ferreteria hasta que se le indique más adelante durante el ensamble.*

**!** *Note: NE fixez PAS la Patte de Filet à Grimper en Angle avec la quincaillerie jusqu'à indiqué dans l'assemblage.*

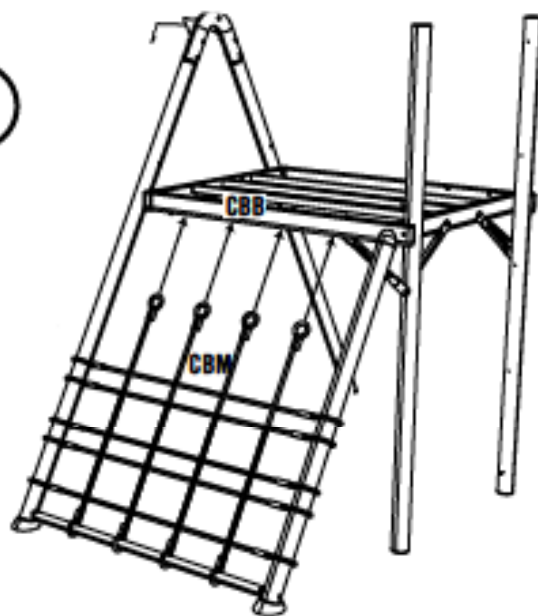
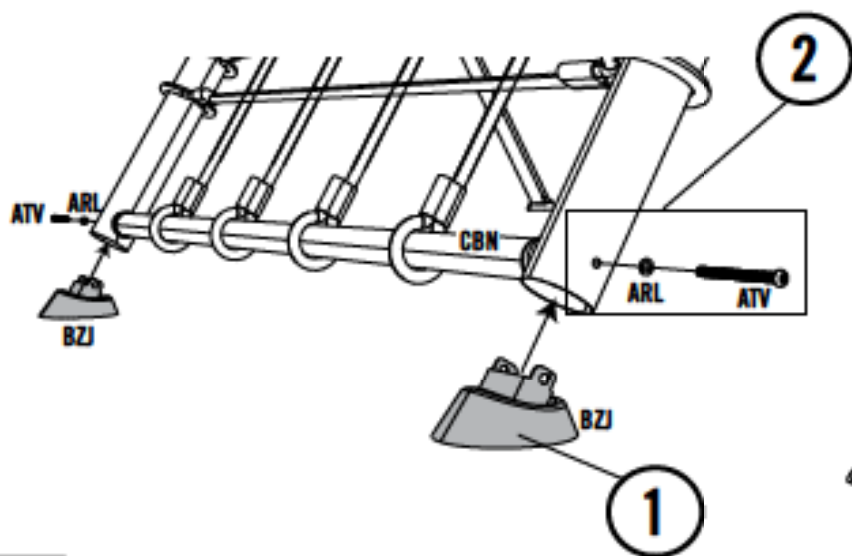
**5.9**



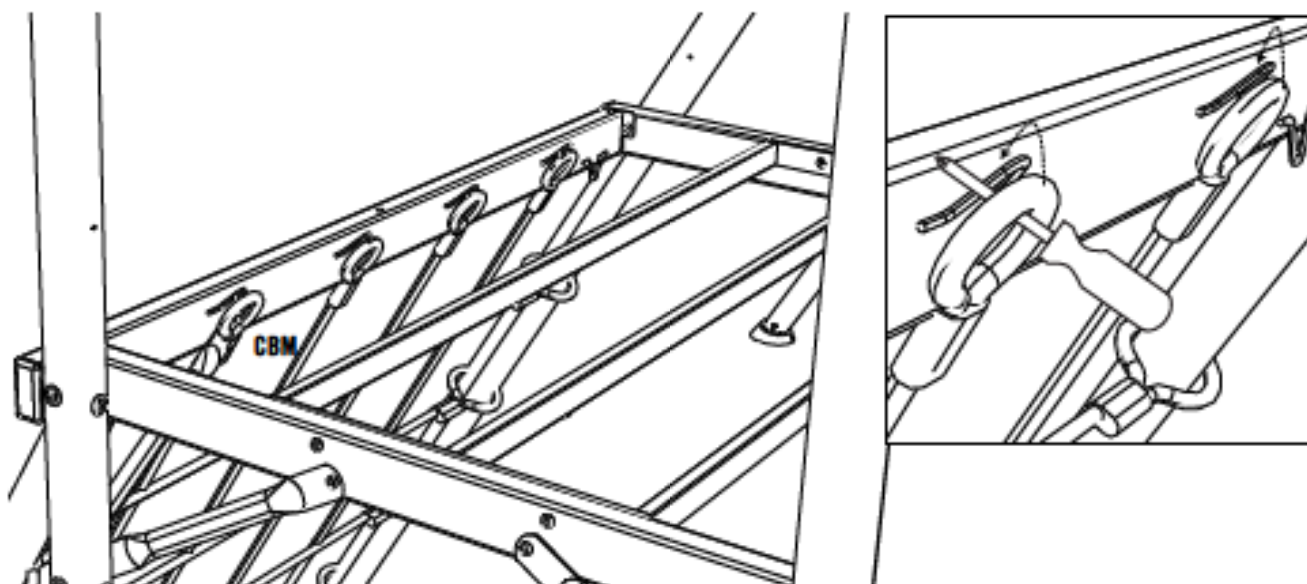
5

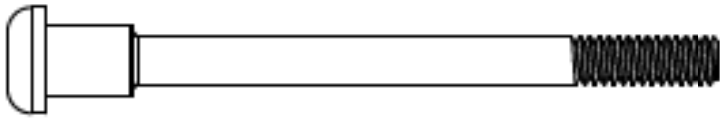


### 5.10



### 5.11

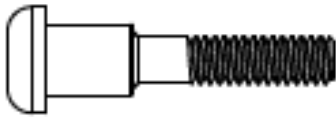




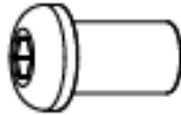
**BZP (x6)**  
1/4" x 3 1/2"



**ASB (x1)**  
5/16" x 2"



**BZN (x18)**  
1/4" x 1 1/2"



**BTS (x24)**  
1/4"



**AAF (x3)**  
3/8"



**ARL (x1)**  
1/4"

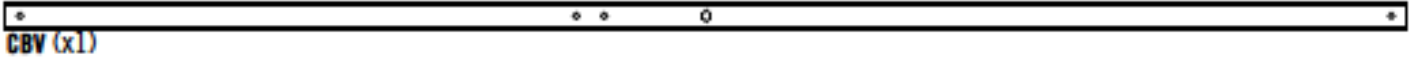


**ARU (x1)**  
5/16" x 2 1/2"

6

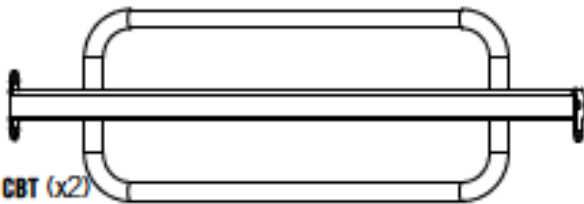


CBU (x2)

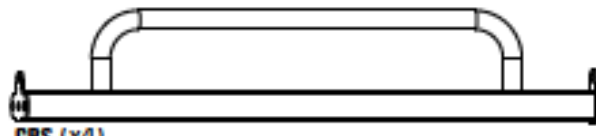


CBV (x1)

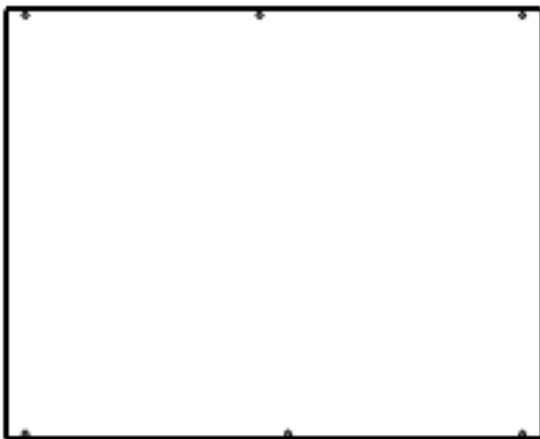
CBW (x1)



CBT (x2)



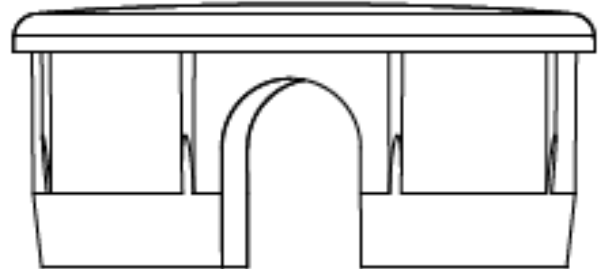
CBS (x4)



CBR (x1)



AOF (x2)  
3/8"



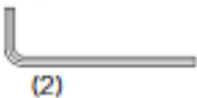
BZL (x2)  
3"



CUX (x4)  
1 1/2"



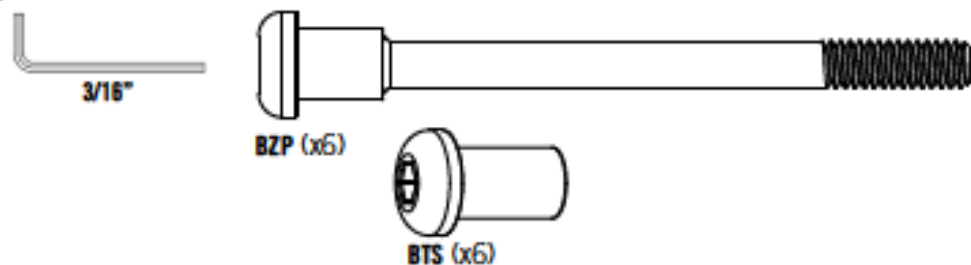
3/16"



(2)



(1)

**6****6.1**

! *Note: If there are pre-drilled holes, make sure they are located here. This is where the slide will be placed later in the assembly.*

! *Note: Si existen orificios barrenados previamente, asegúrese de que se encuentran ubicados aquí. Este es el lugar donde el tobogán se colocará más adelante durante el ensamble.*

! *Note : S'il y a des trous pré-faits, assurez-vous qu'ils soient en cet endroit. Ceci est où la glissade sera placée plus tard dans l'assemblage.*

**WARNING**

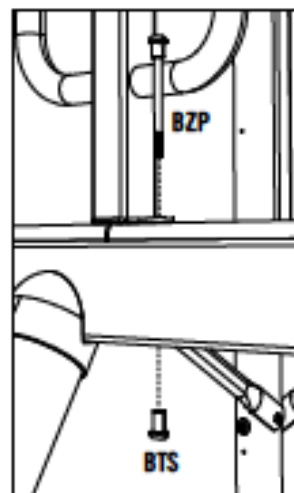
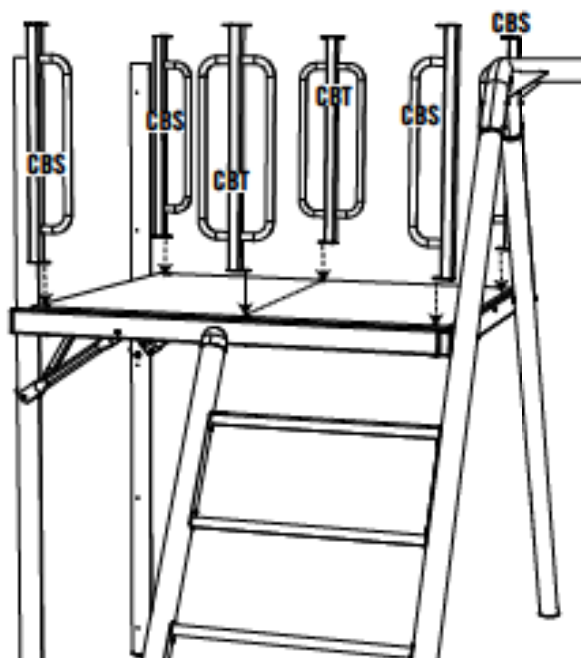
Do not stand in Clubhouse until the Deck floor is completely attached.

**AVERTISSEMENT**

N'entrez pas dans le Pavillon jusqu'à ce que le plancher ne soit complètement fixé.

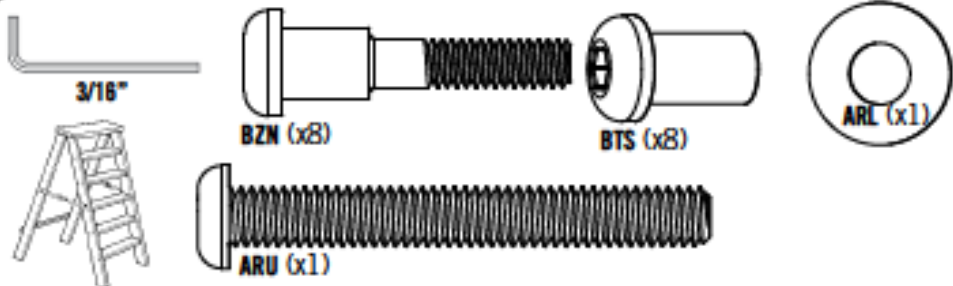
**ADVERTENCIA**

No se pare en la Clubhouse hasta que el piso de la Cubierta se encuentre completamente fijo.

**6.2**

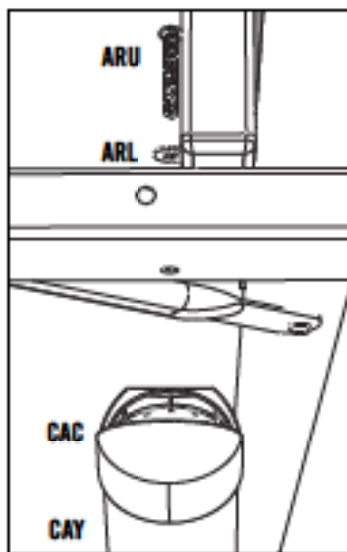


6

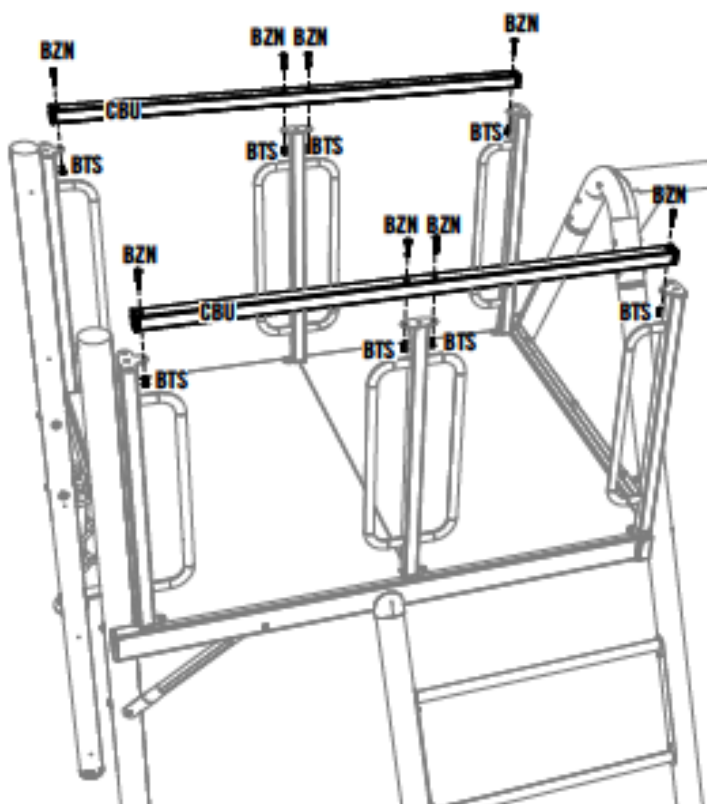
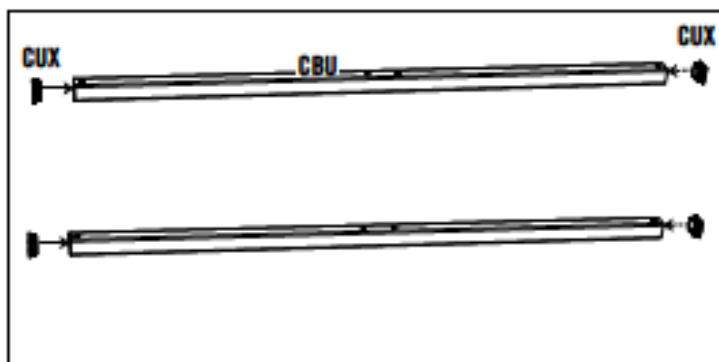


6.3

5.8

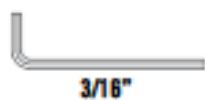


6.4





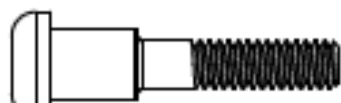
6



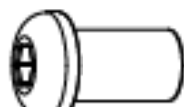
3/16"



ASB (x1)



BZN (x4)



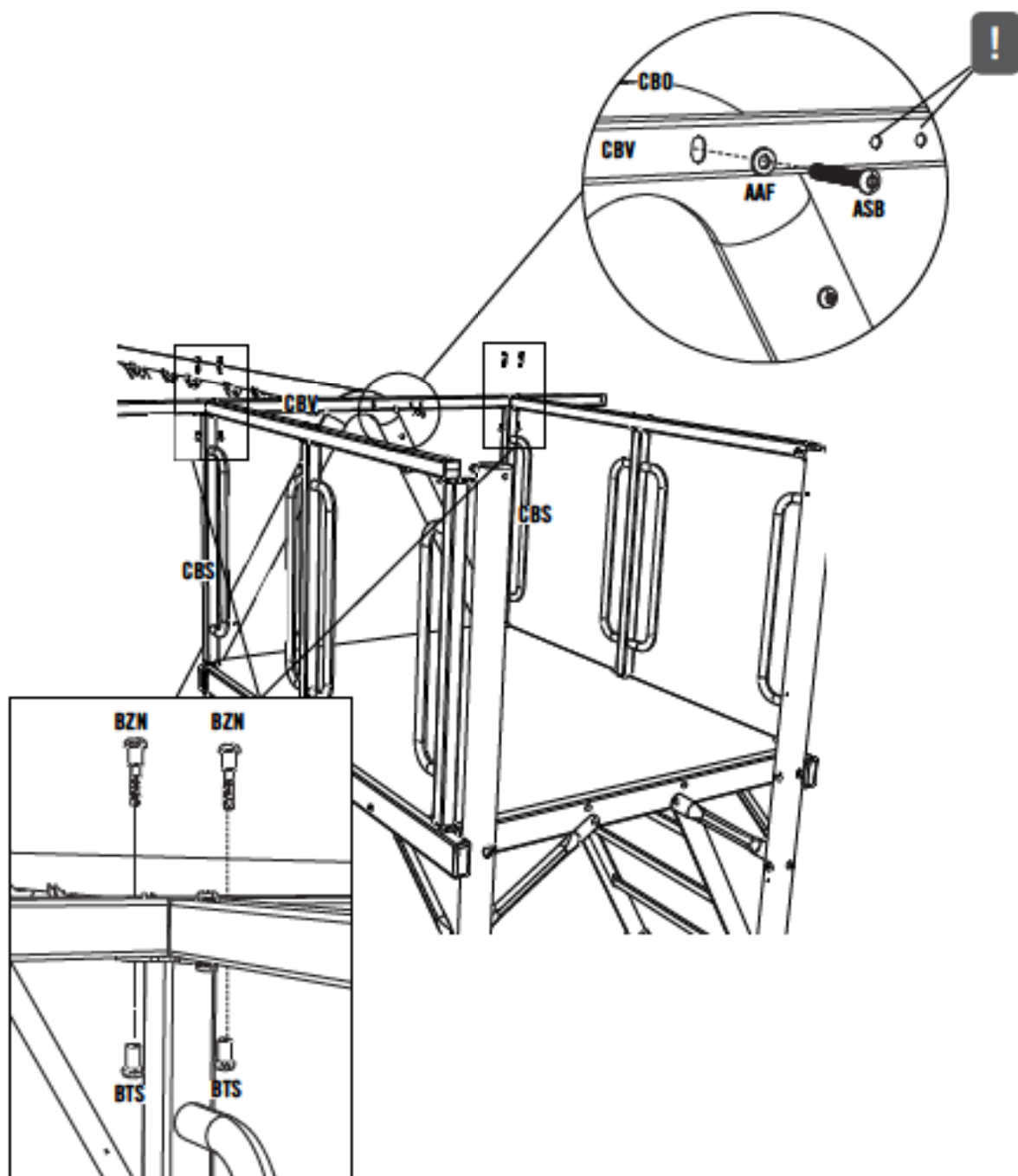
BTS (x4)



AAF (x1)



6.5



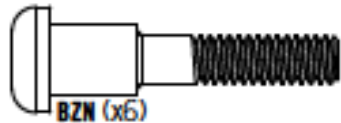




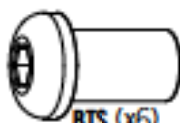
6



3/16"



BZN (x6)



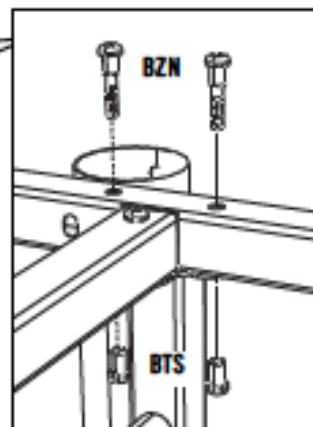
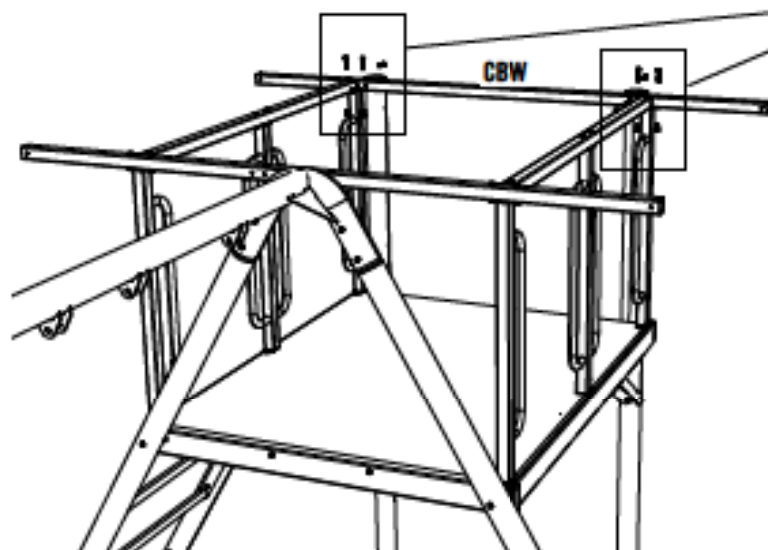
BTS (x6)



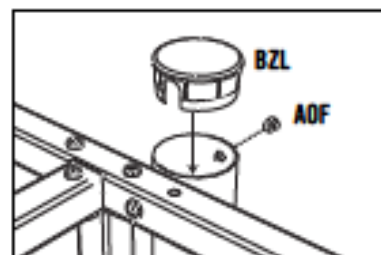
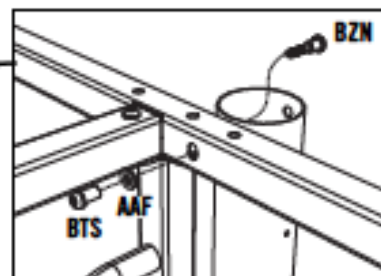
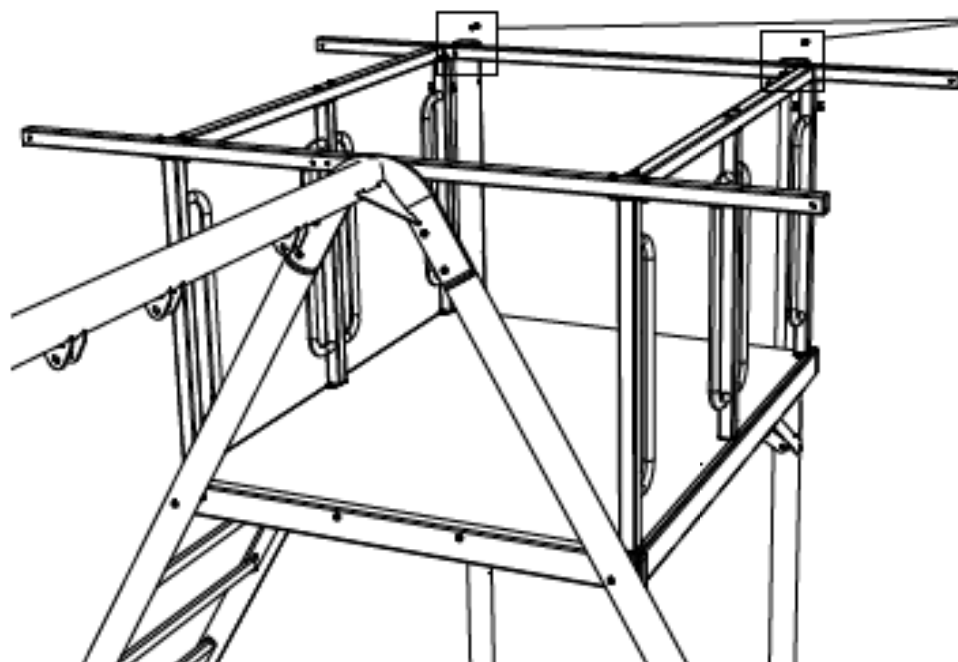
AAF (x2)



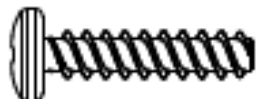
6.6



6.7



7



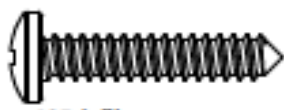
ADV (x10)  
1/4" x 1 1/8"



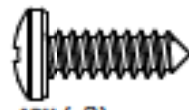
ADW (x10)  
#10 x 3/4"



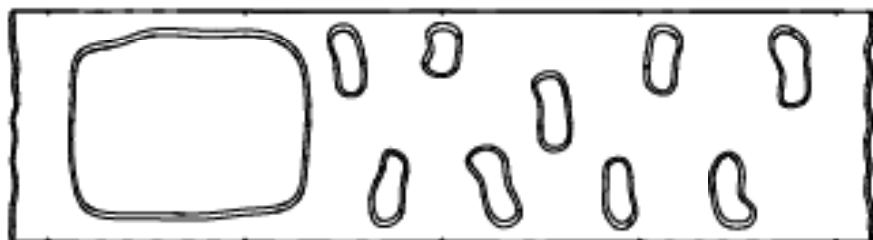
CHX (x2)  
1/2"



ASF (x2)  
#14 x 1 1/4"



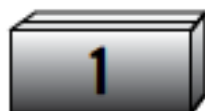
ARV (x3)  
#14 x 3/4"



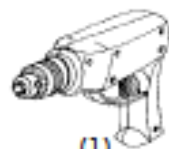
CBX (x2)



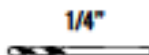
CBZ (x1)



CBY (x1)



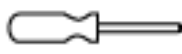
(1)



(1)



(1)



(1)

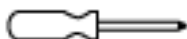


7

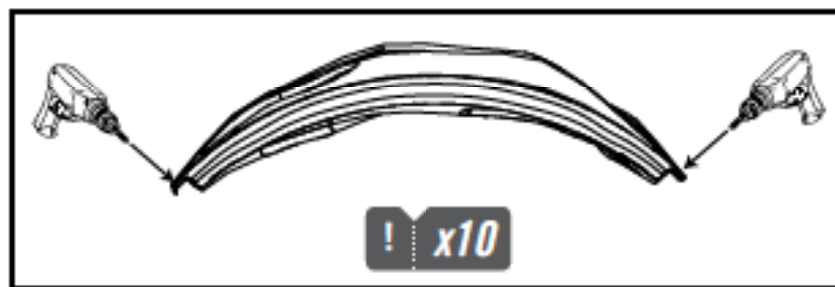
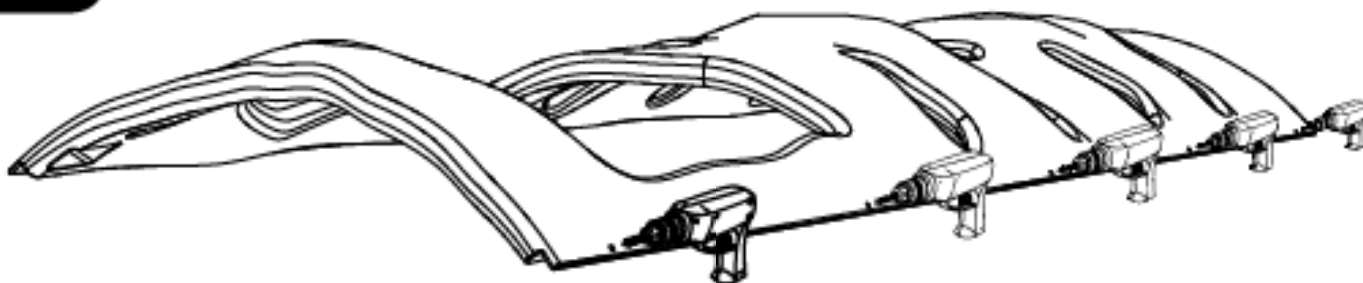


ADW (x5)

1/4"

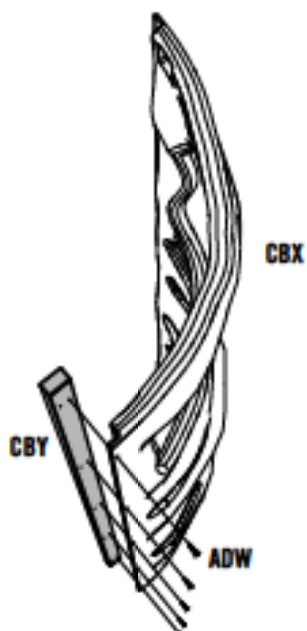


7.1



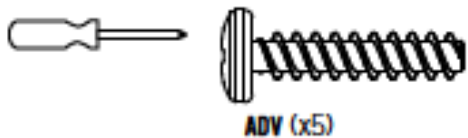
! x2

7.2

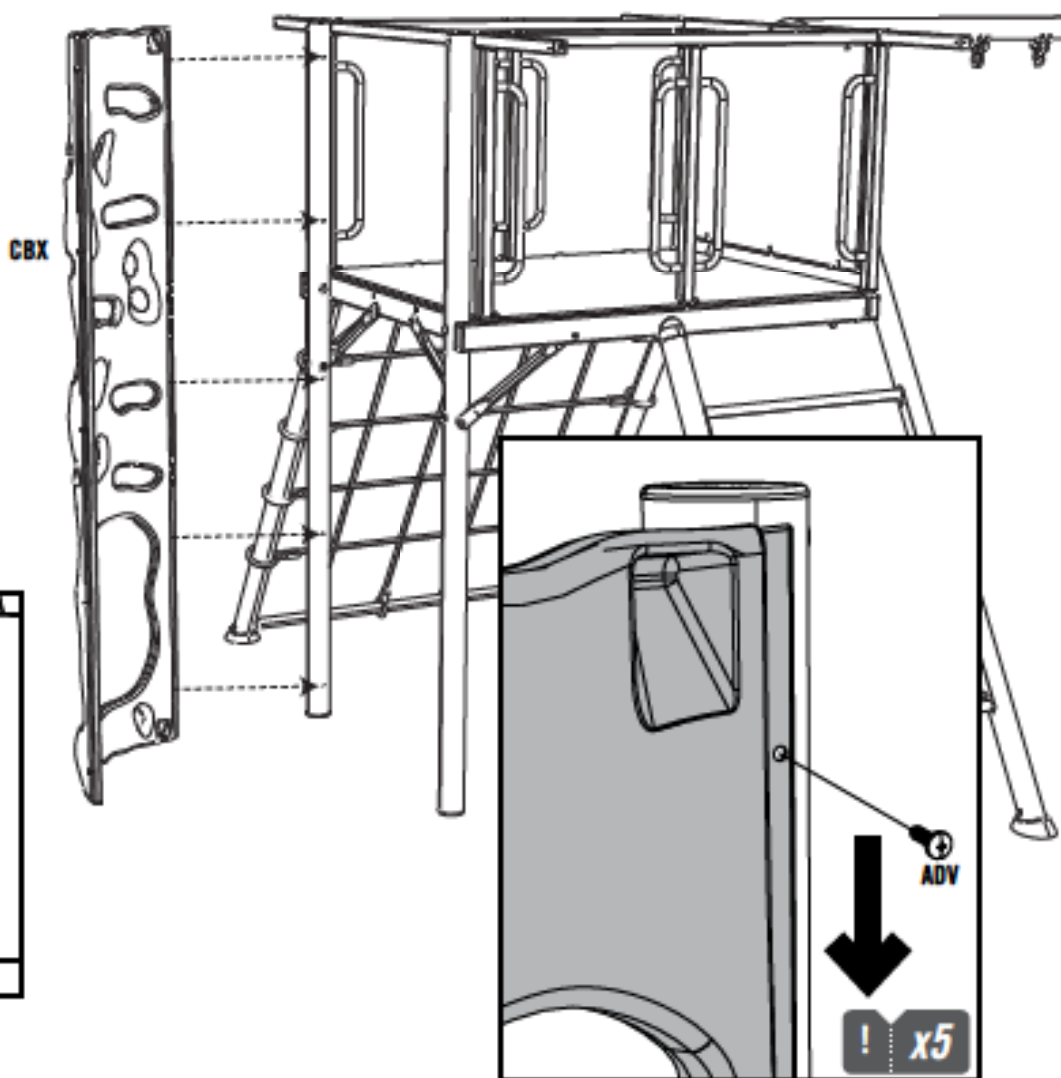


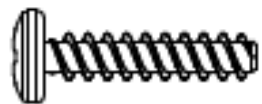
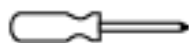


7



7.3

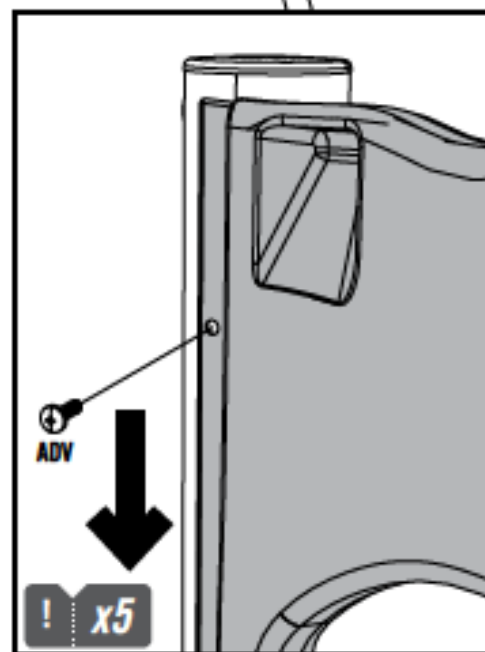
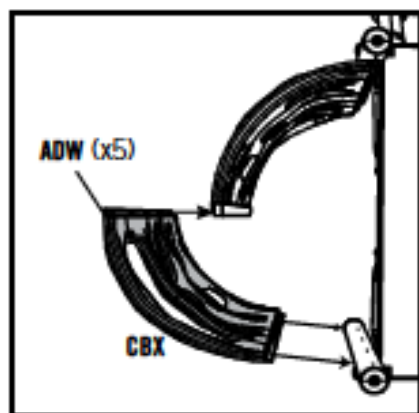
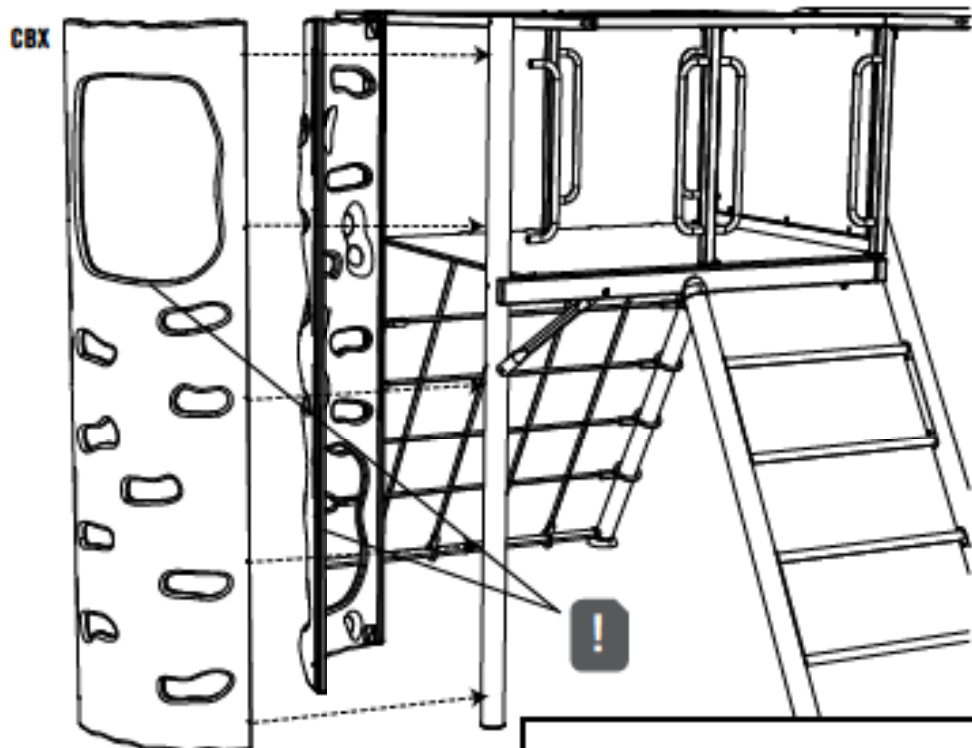


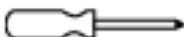
**7**

ADV (x5)



ADW (x5)

**7.4**

**7**

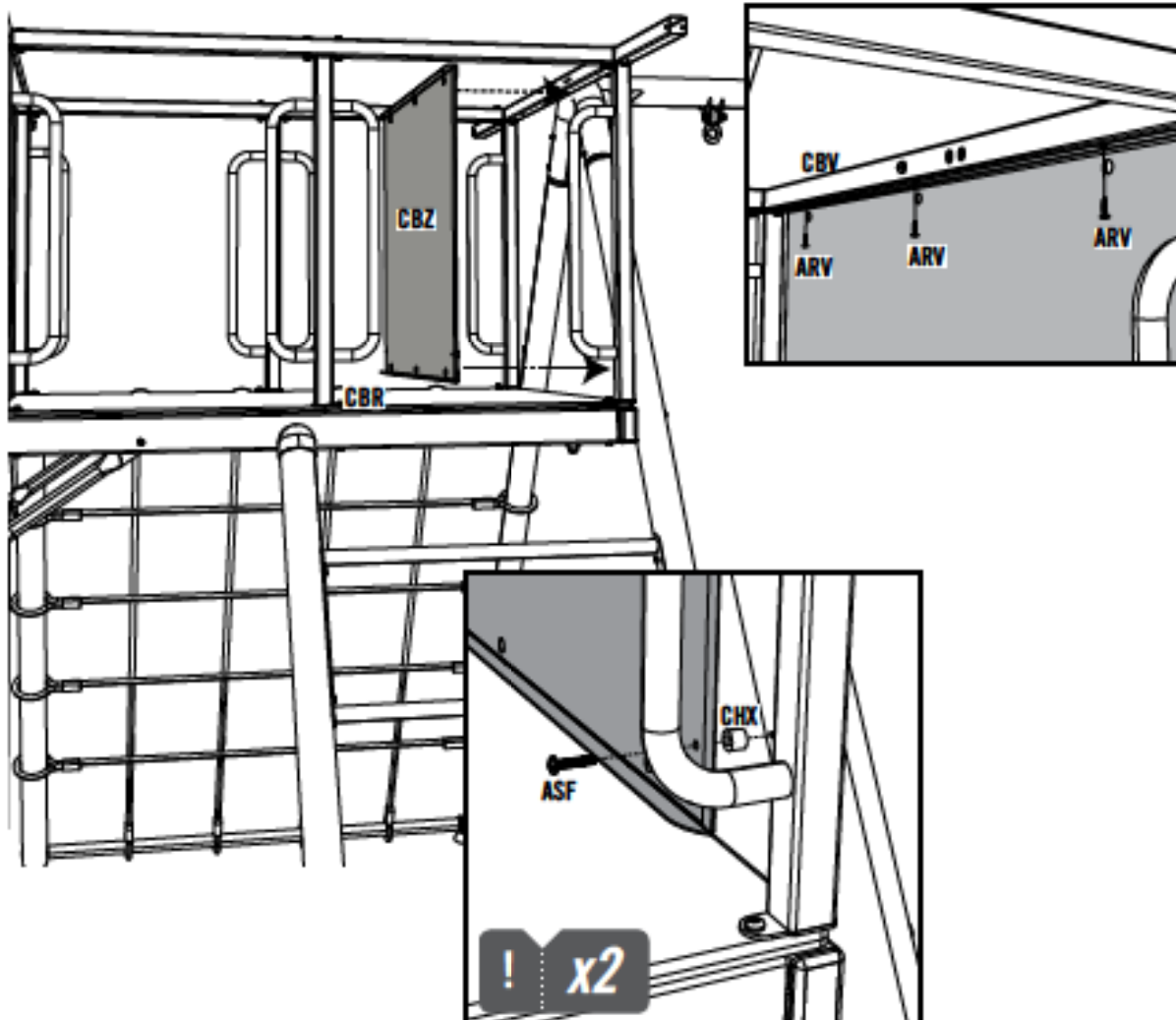
CHX (x2)

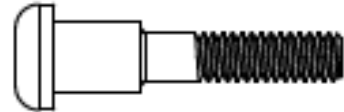


ASF (x2)



ARV (x3)

**7.5**



**BZN (x8)**  
1/4" x 1 1/2"



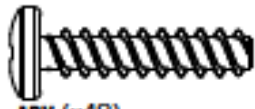
**BRL (x4)**  
5/16"



**ASE (x4)**  
5/16"



**ARN (x8)**  
5/16" x 3/4"



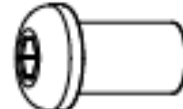
**ADV (x48)**  
1/4" x 1 1/8"



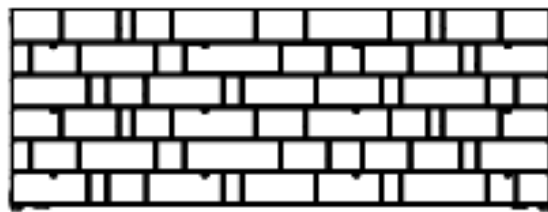
**ARL (x8)**  
1/4"



**ARD (x4)**  
.343"



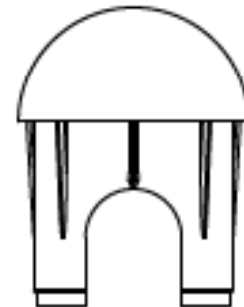
**BTS (x8)**  
1/4"



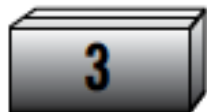
**CCC (x4)**



**CUX (x4)**



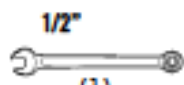
**BZS (x8)**



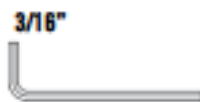
**CCB (x8)**



**CCA (x2)**



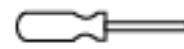
(1)



(2)



(1)



(1)

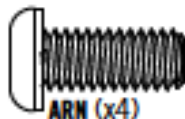




8



3/16"



ARN (x4)



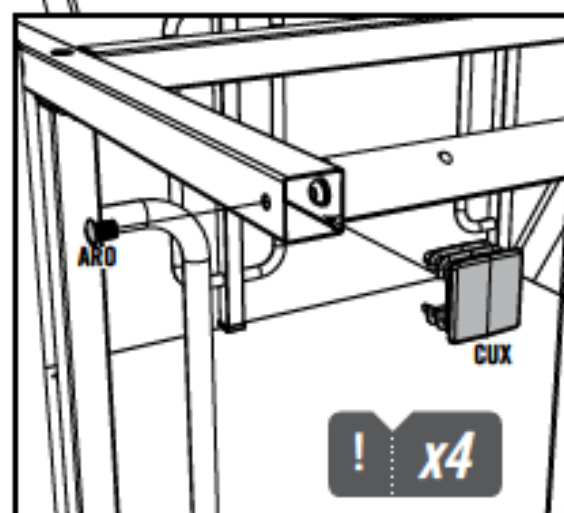
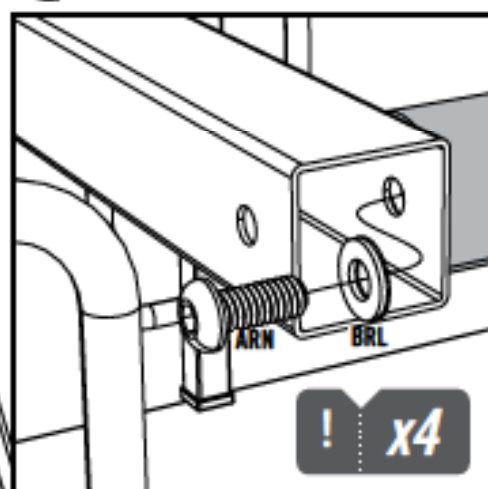
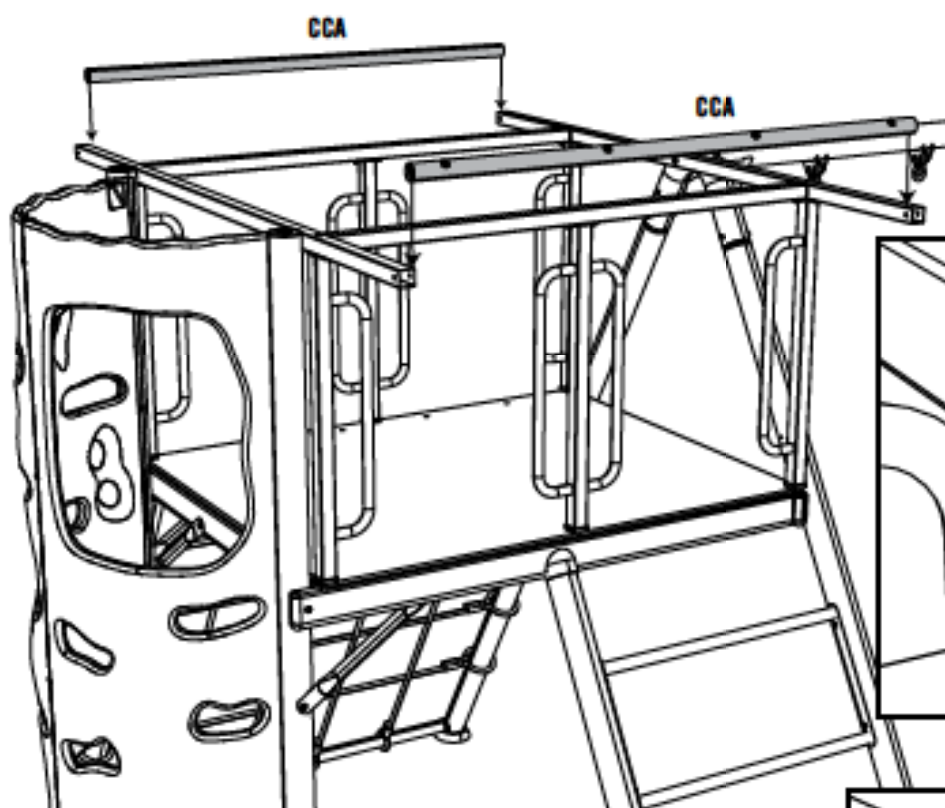
ARO (x4)



BRL (x4)



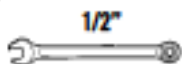
8.1



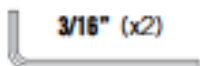




8



1/2"



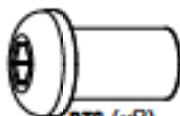
3/16" (x2)



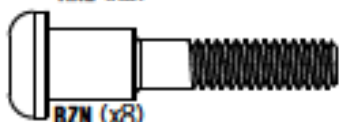
ARL (x8)



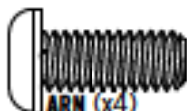
ASE (x4)



BTS (x8)



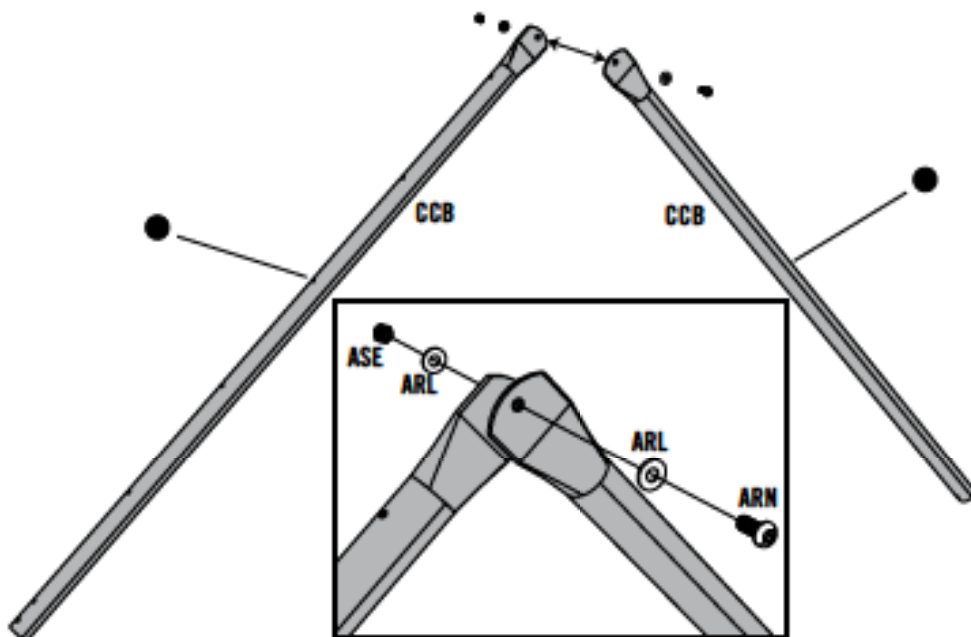
BZN (x8)



ARN (x4)

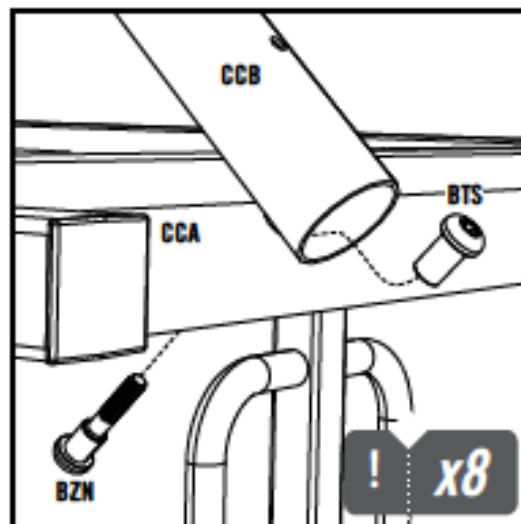
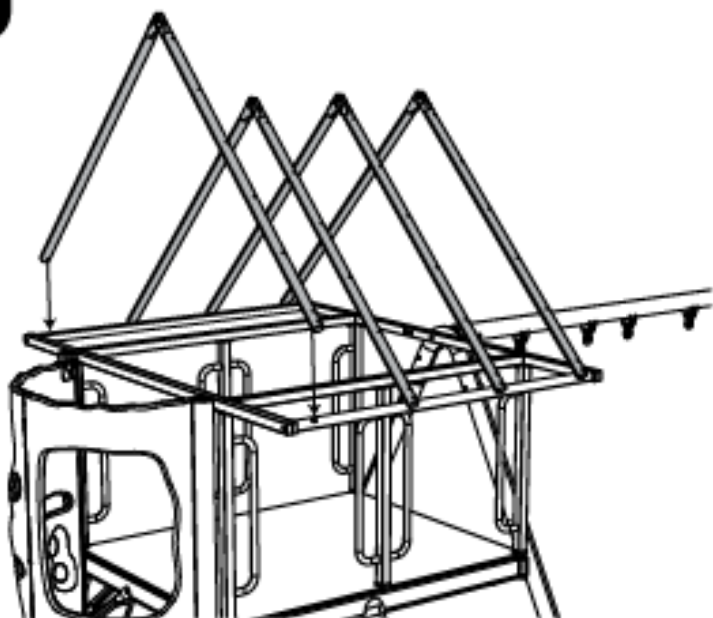


8.2

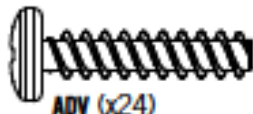
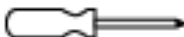
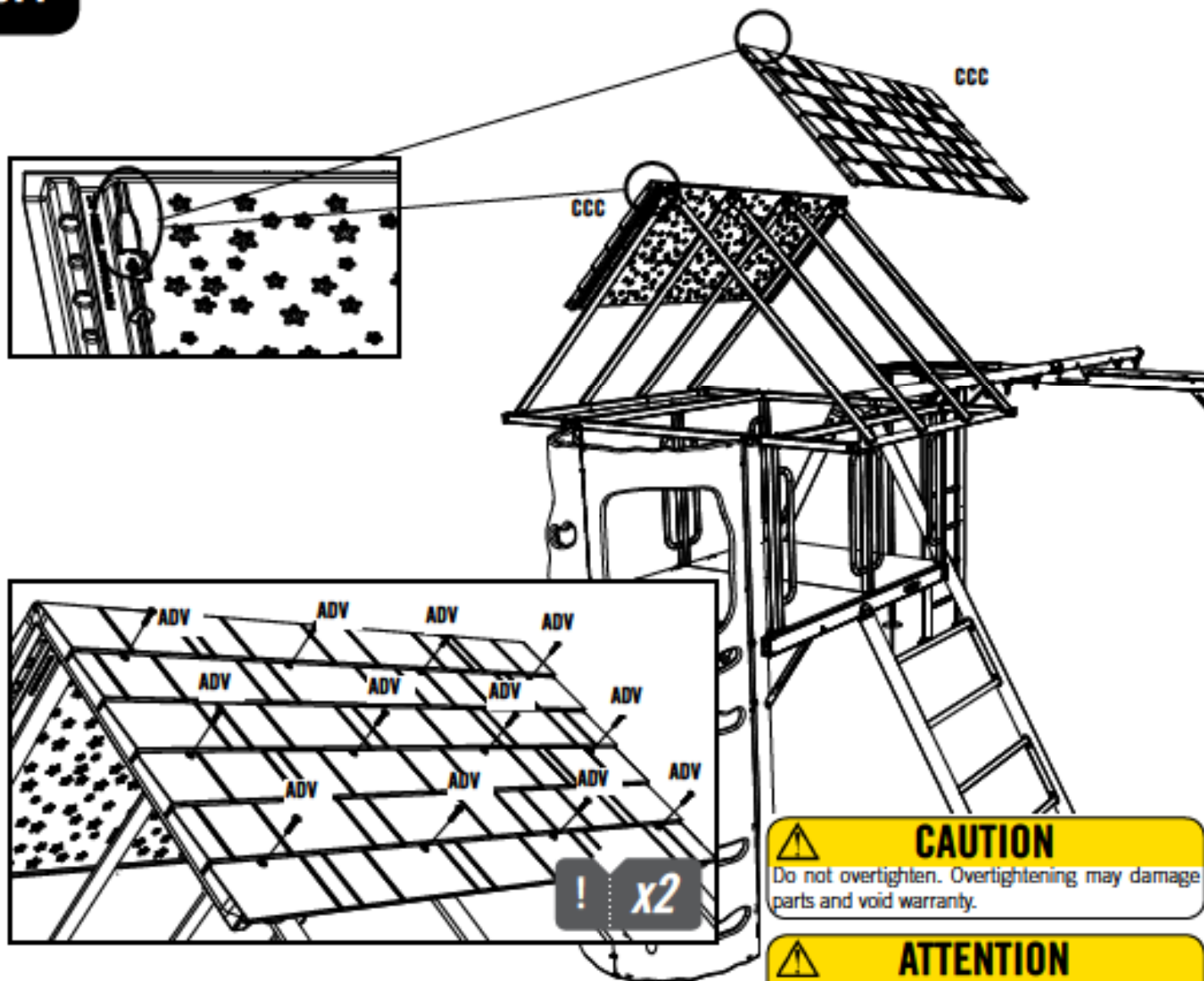


! x4

8.3



! x8

**8****8.4****CAUTION**

Do not overtighten. Overtightening may damage parts and void warranty.

**ATTENTION**

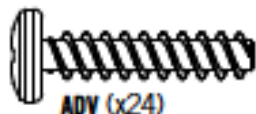
Ne pas serrer excessivement. Le serrage excessif peut endommager les pièces et annuler la garantie.

**PRECAUCIÓN**

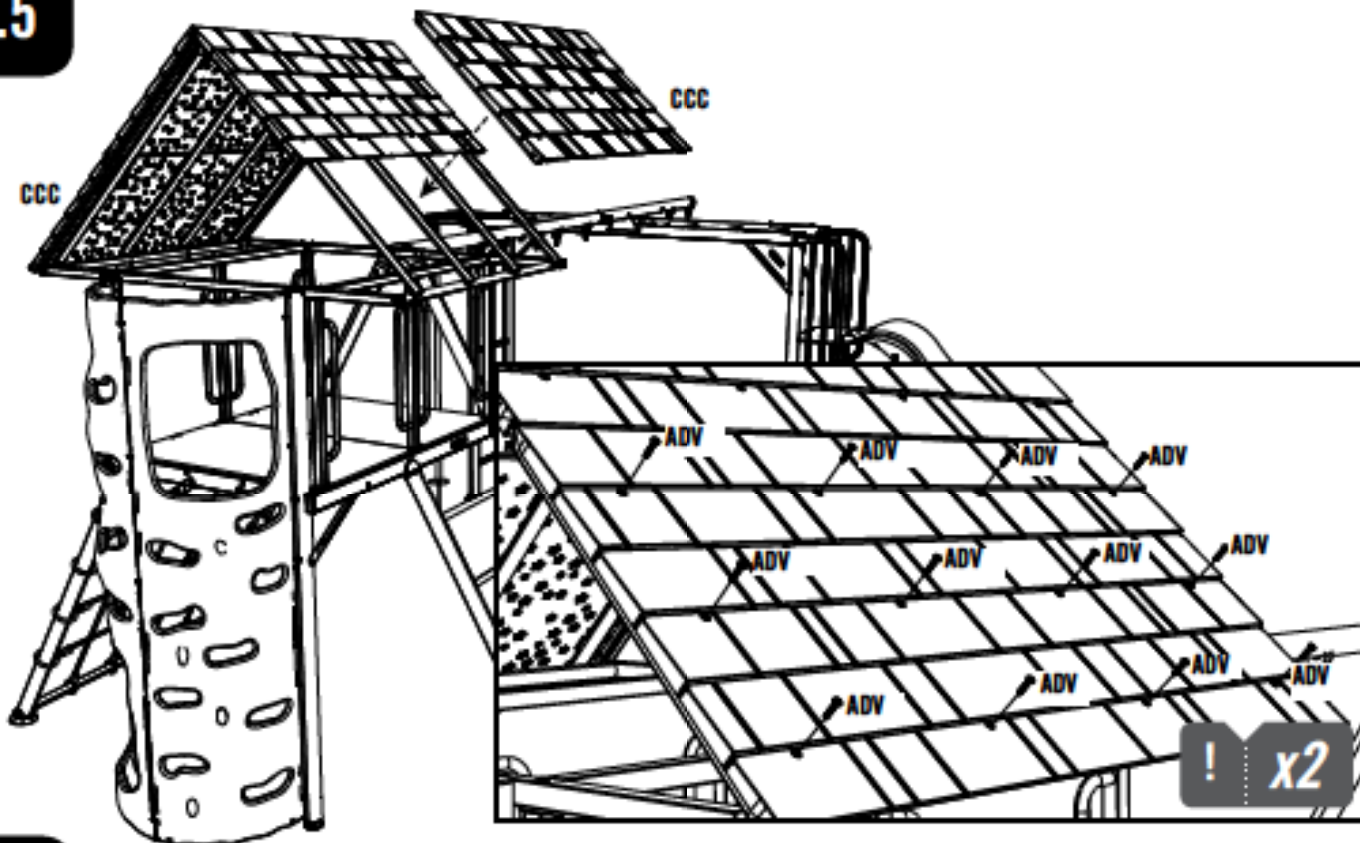
No apriete demasiado. Apretar demasiado podría dañar las piezas y anular la garantía.



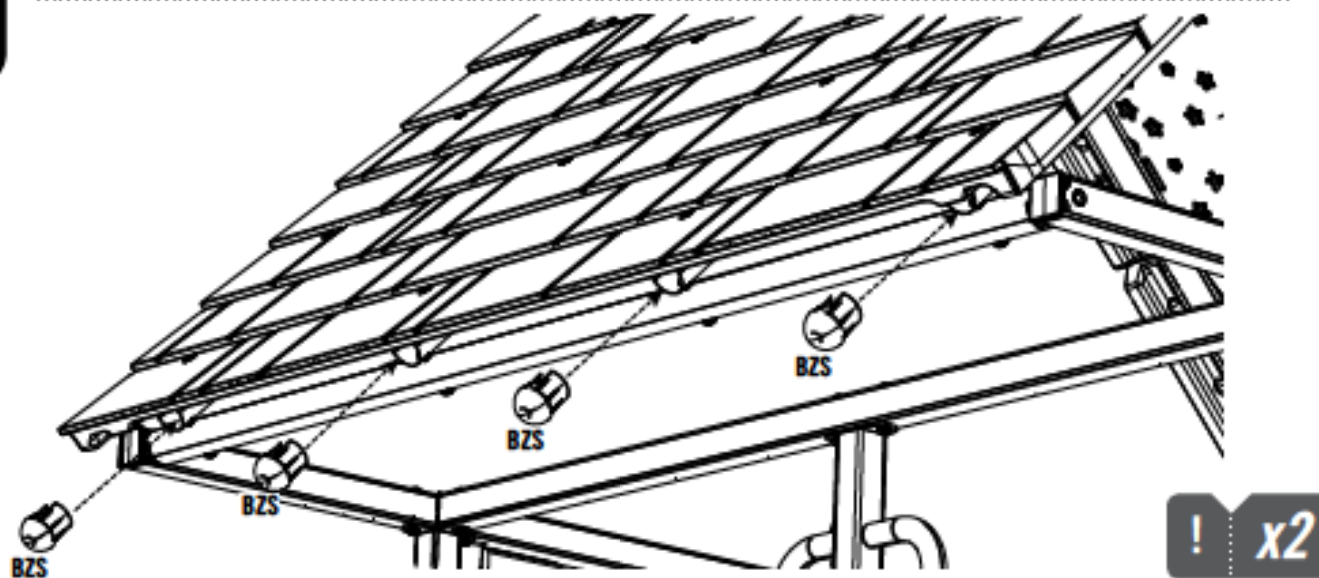
8

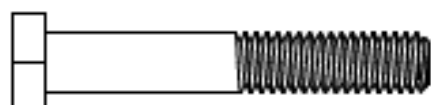


8.5



8.6





**ASH (x1)**  
5/16" x 2"



**BZU (x2)**  
5/16" x 3"



**BRL (x1)**  
5/16"



**ARM (x2)**  
5/16"



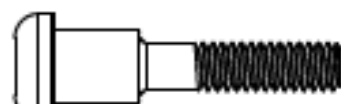
**BZT (x1)**  
5/16"



**ARU (x1)**  
5/16" x 2 1/2"



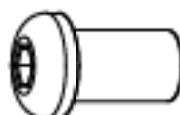
**ARM (x1)**  
5/16"



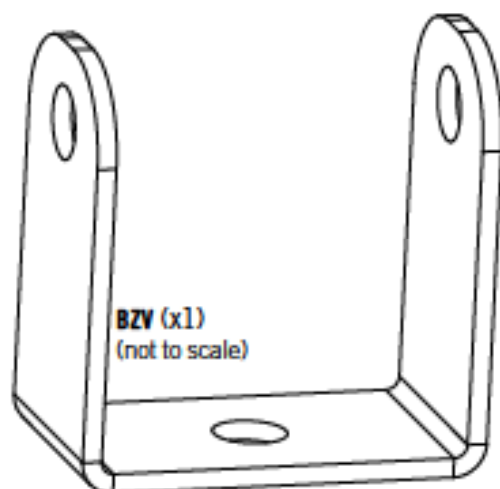
**BZN (x1)**  
1/4" x 1 1/2"



**BRL (x2)**  
5/16"



**BTS (x1)**  
1/4"



**BZV (x1)**  
(not to scale)



**ARX (x3)**  
5/16" x 1 1/4"



**ARM (x3)**  
5/16"



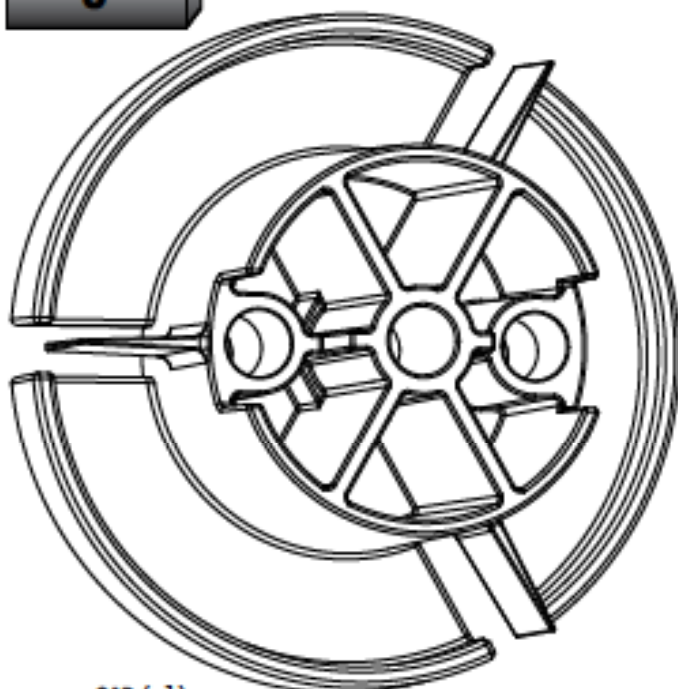
**ARL (x6)**  
1/4"

9

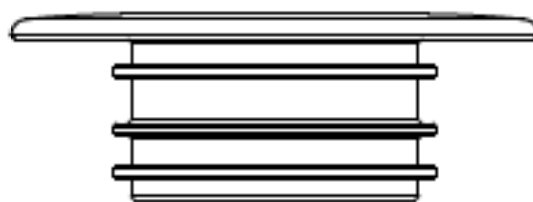


BEK (x1)

6



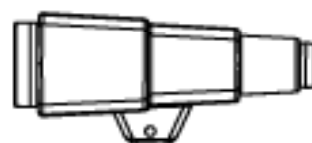
CAB (x1)



CAA (x1)



CCE (x1)



CCD (x1)



9/16"



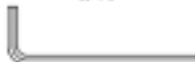
(1)

1/2"



(1)

3/16"

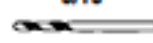


(2)



(1)

5/16"



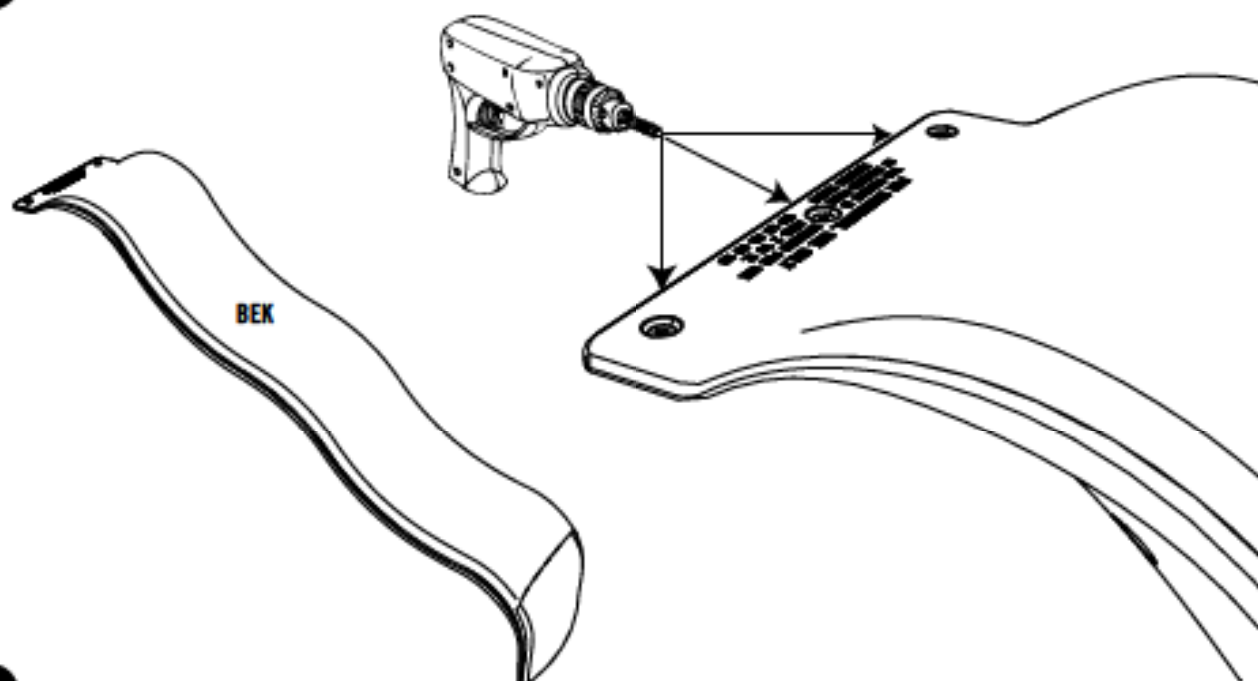
(1)



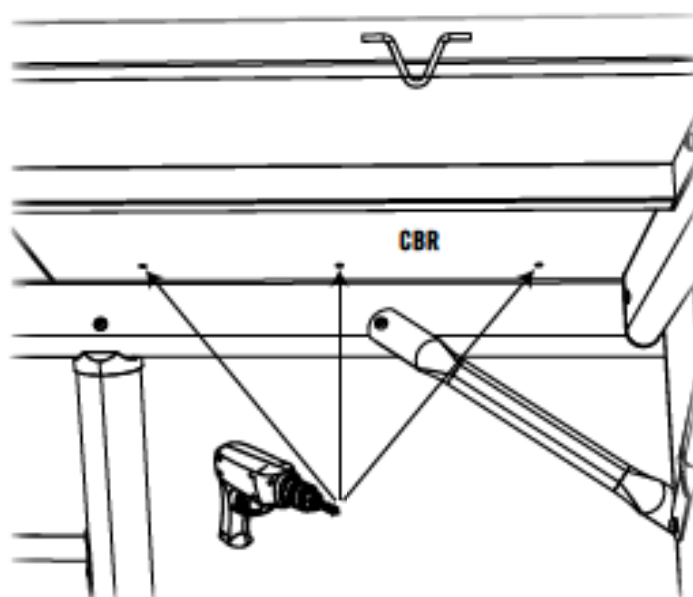
9



9.1

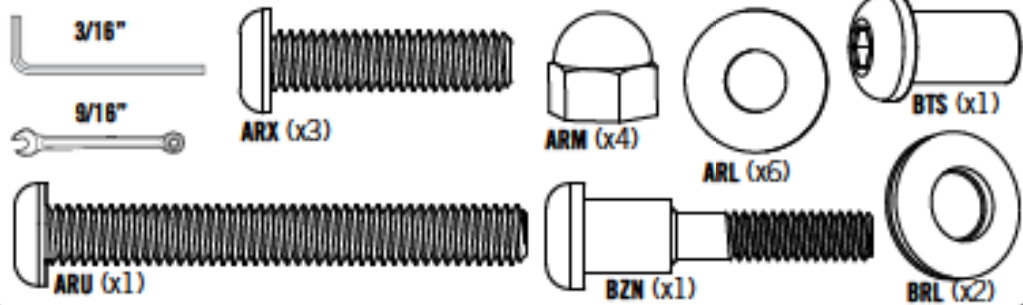


9.2

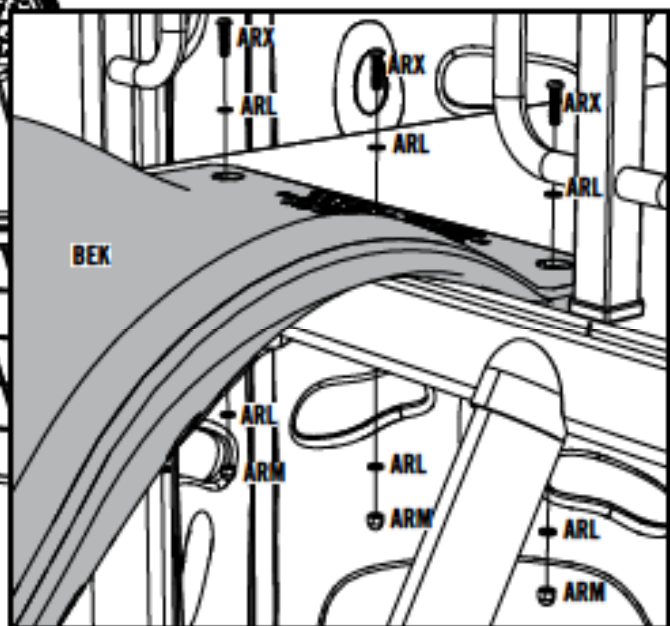
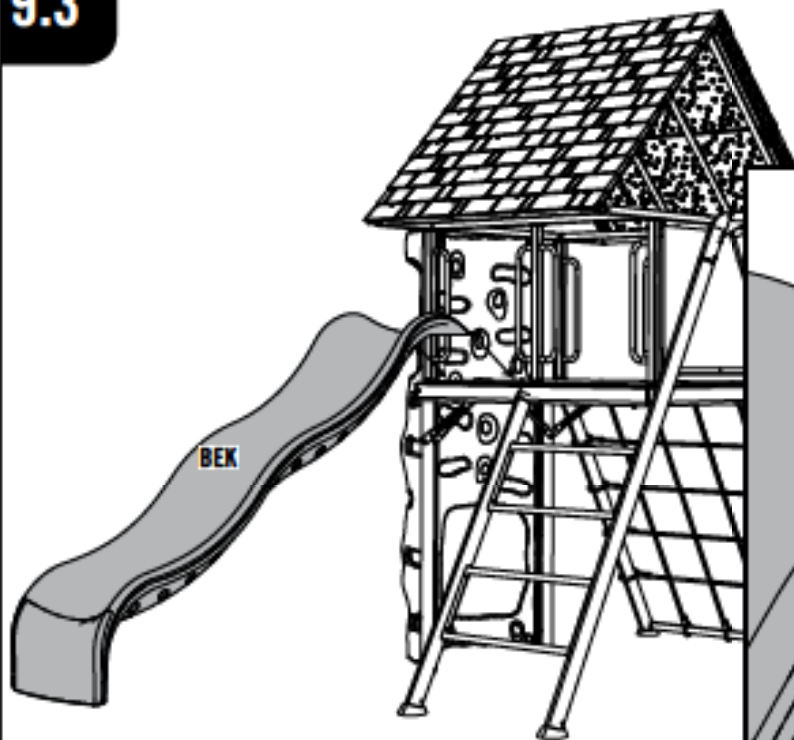




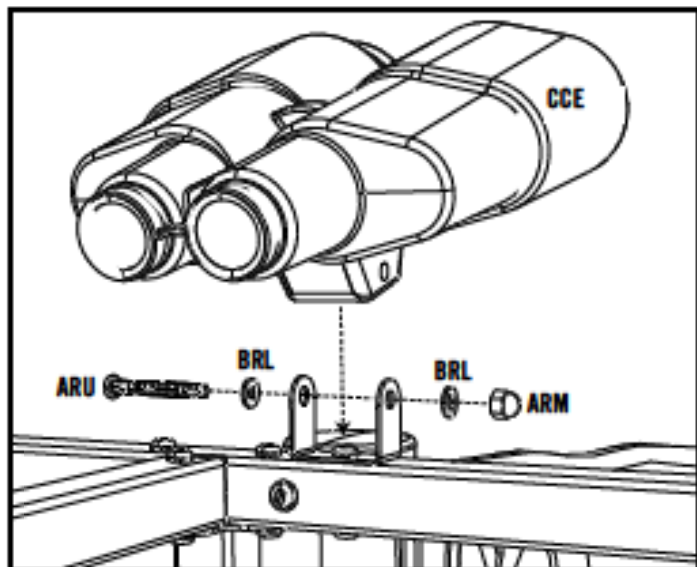
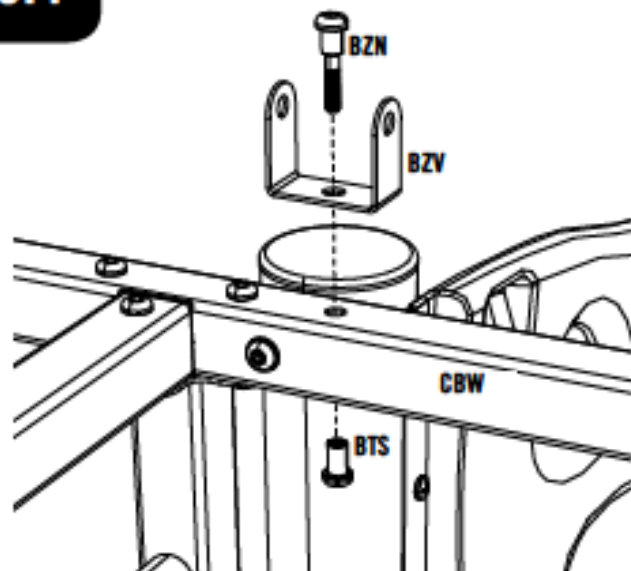
9



9.3

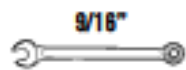


9.4

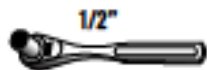




9



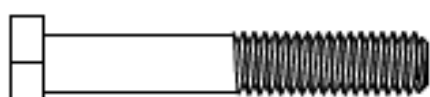
9/16"



1/2"



3/16"



ASH (x1)



BRL (x1)



ARM (x2)



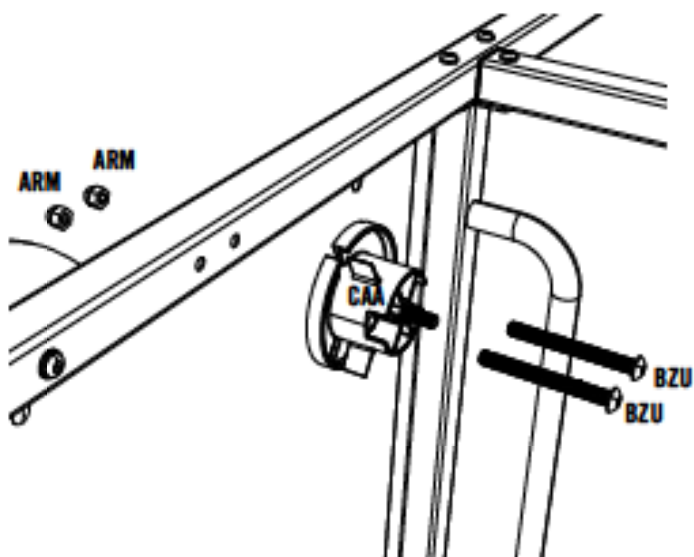
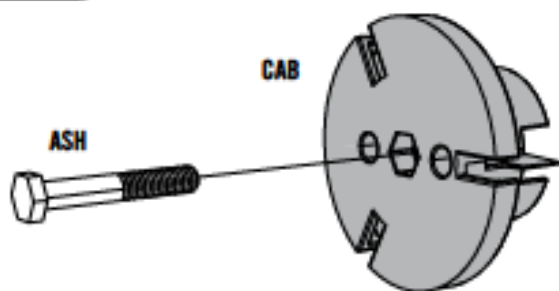
BZU (x2)



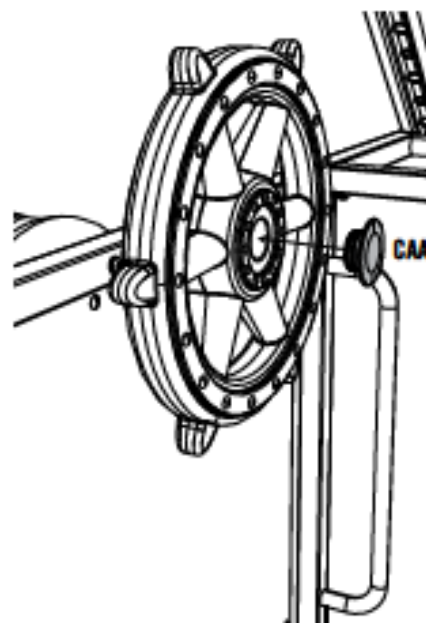
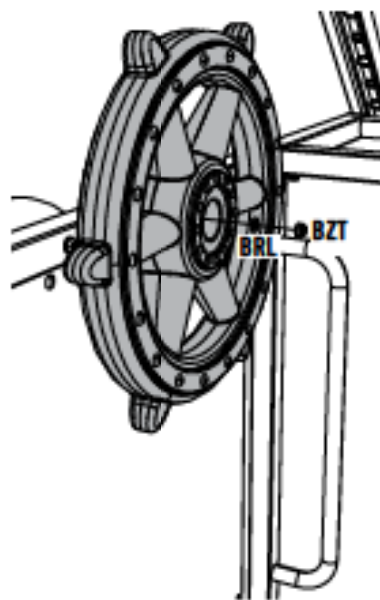
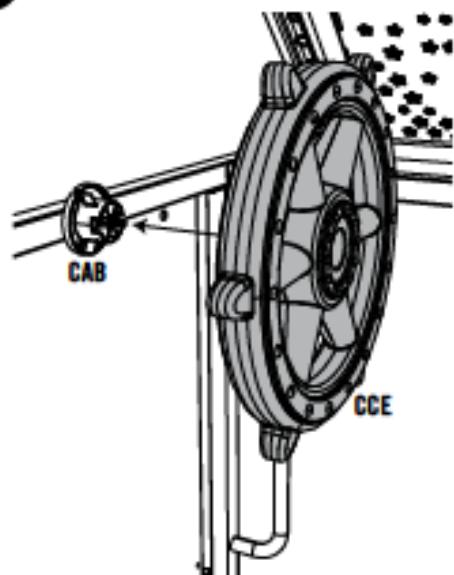
BZT (x1)



### 9.5



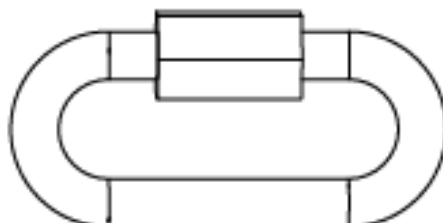
### 9.6







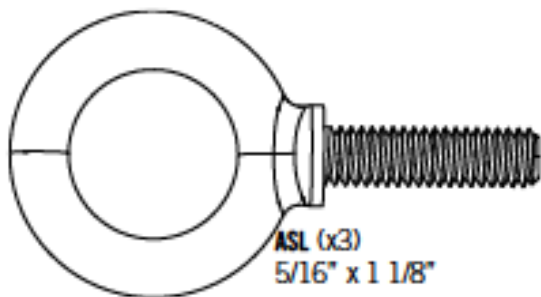
**BZY (x6)**  
5/16" x 2 1/2"



**ASM (x6)**



**ABK (x3)**  
5/16"



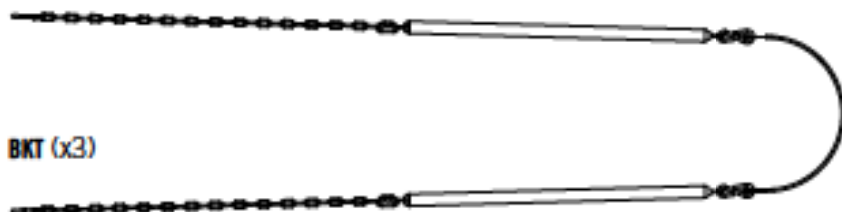
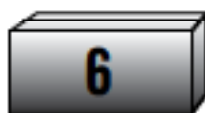
**ASL (x3)**  
5/16" x 1 1/8"



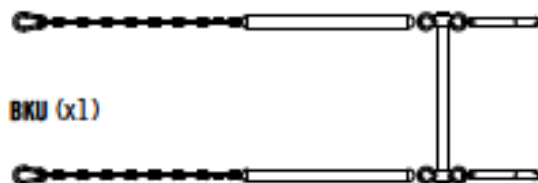
**ARM (x6)**  
5/16"



**ARL (x3)**  
1/4"



**BKT (x3)**



**BKU (x1)**



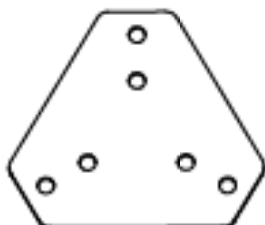
**CCF (x3)**



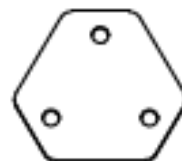
**CCH (x3)**



**CCG (x3)**

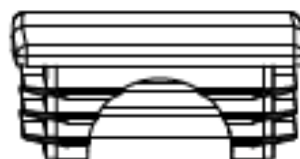
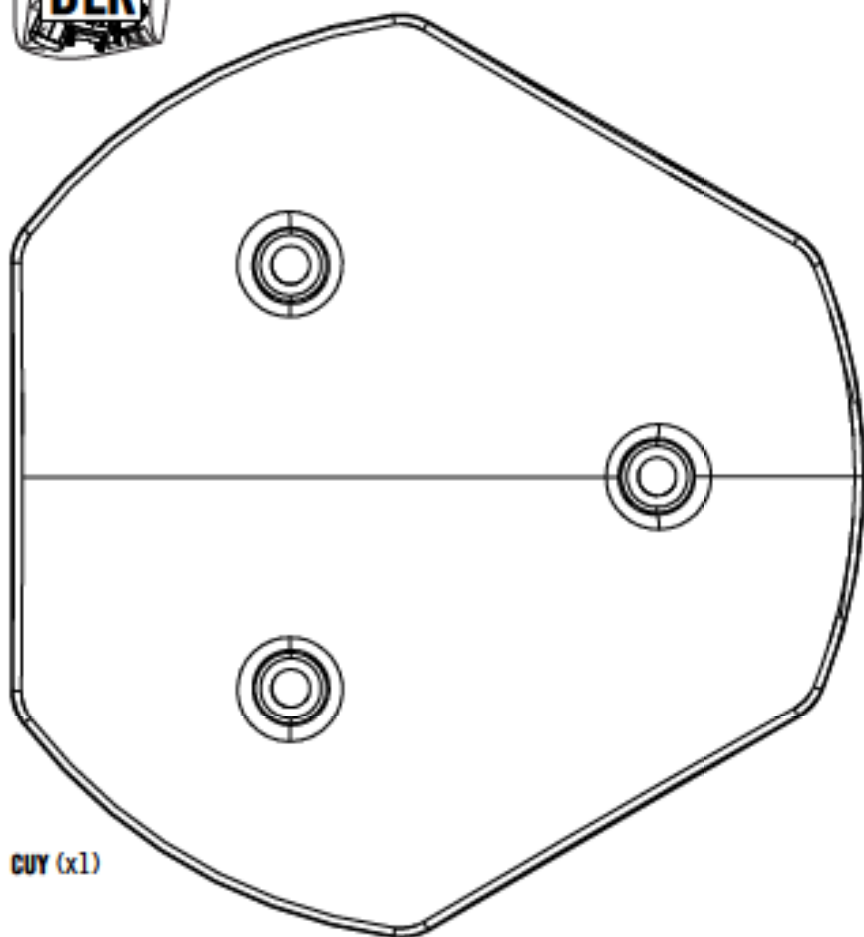


**CCJ (x1)**



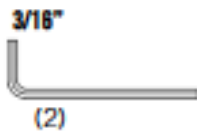
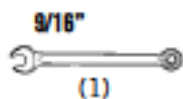
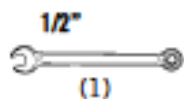
**CCI (x1)**

10



CUX (x3)

CUY (x1)





10

1/2", 9/16"

3/16"



ABK (x3)



BZY (x6)



ARM (x6)



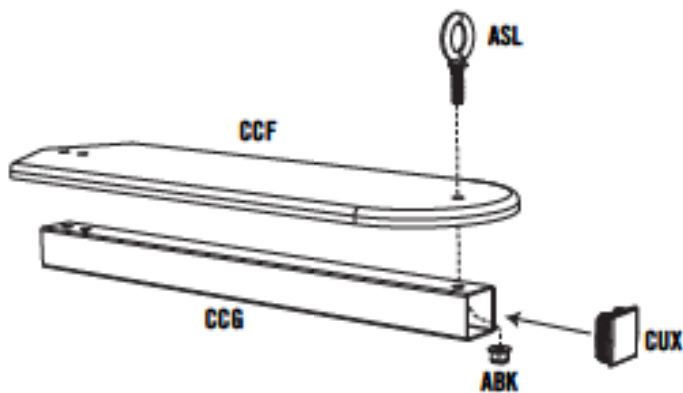
ARL (x3)



ASL (x3)

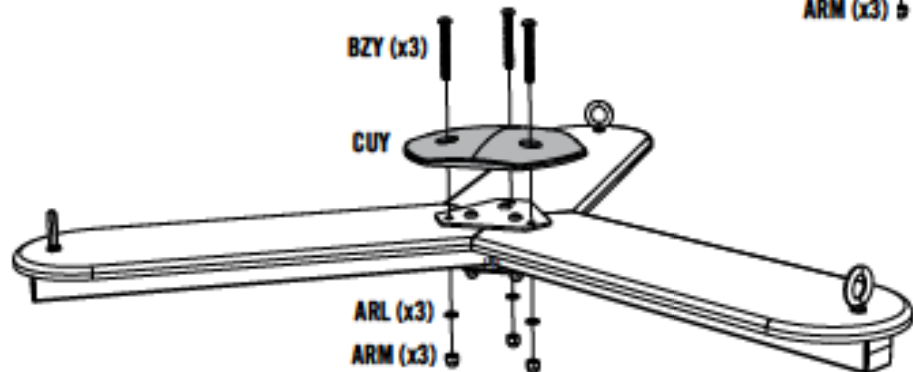
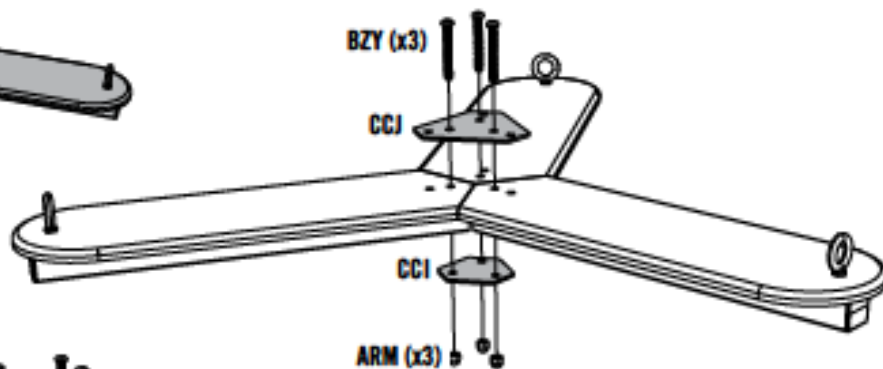
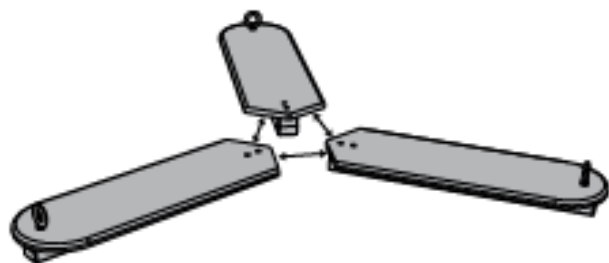


### 10.1



! x3

### 10.2

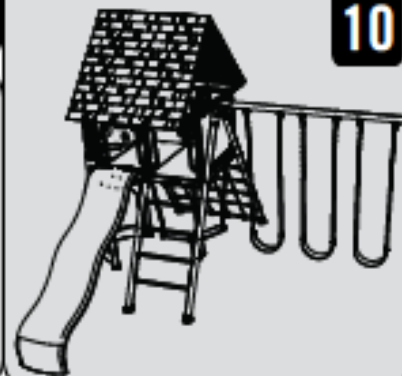




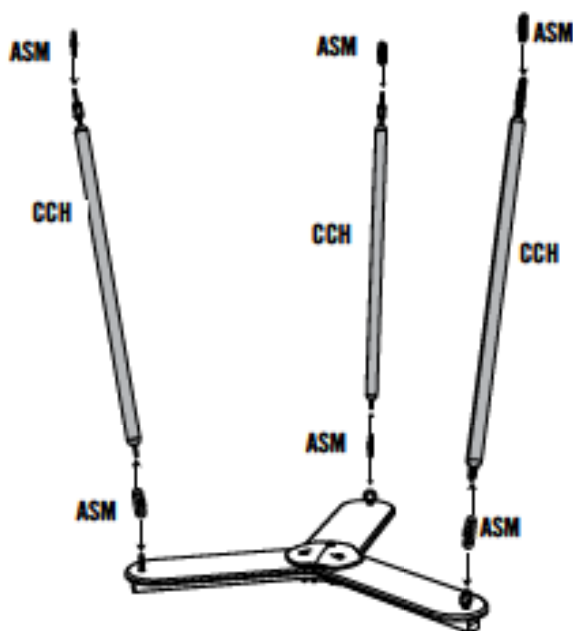
10



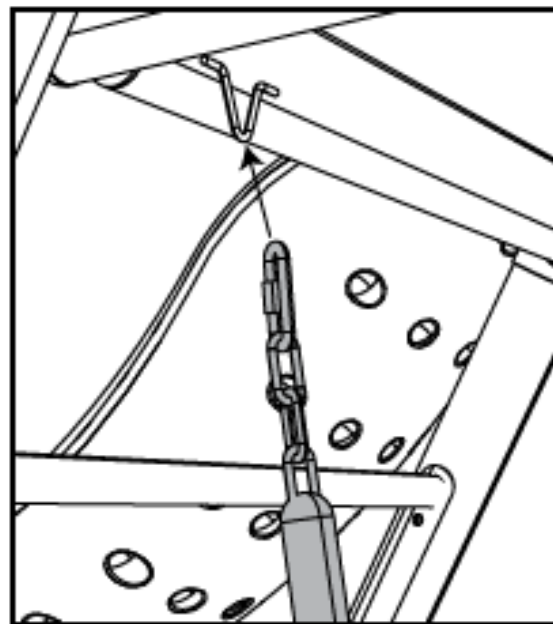
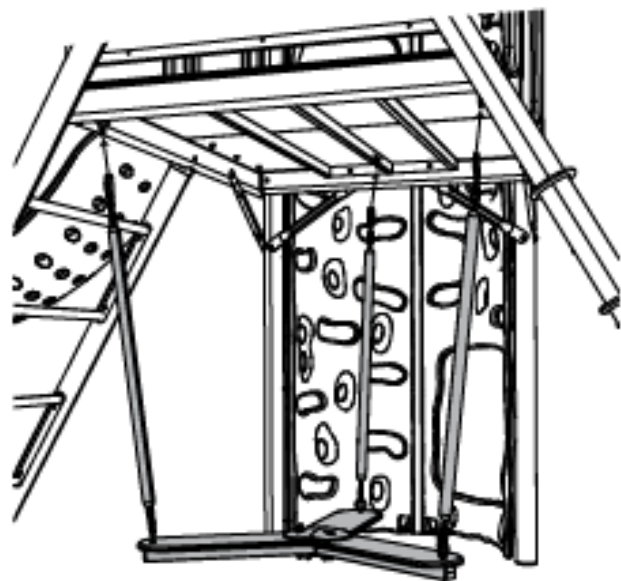
ASM (x6)

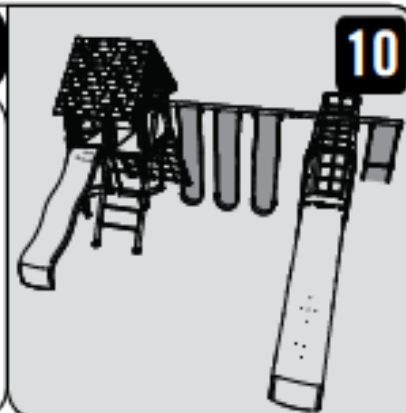


### 10.3

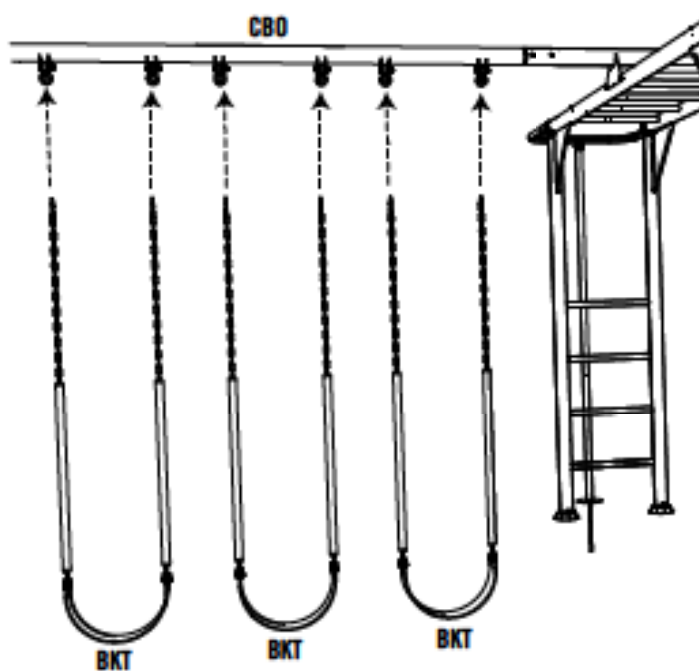


### 10.4





## 10.5





## WARNING



***This product is intended for use by children ages 3 to 12 and is for residential use only. Do not install over concrete, asphalt, packed earth, or any other hard surface. A fall onto a hard surface can result in serious injury.***

***Observing the following statements and warnings reduces the likelihood of serious or fatal injury:***

- On-site adult supervision should be provided for children of all ages.
- Children should not walk close to, in front of, behind, or between moving items.
- Instruct children not to twist swing chains or ropes or loop them over the top support bar since this may reduce the strength of the chain or rope.
- Instruct children to avoid swinging empty seats.
- Teach children to sit in the center of the swings with their full weight on the seats. Never stand, sit or kneel on the swing seat.

- Instruct children not to use the equipment in a manner other than intended.
- Instruct children not to get off equipment while it is in motion.
- To prevent entanglement and strangulation, dress children appropriately using well-fitting shoes and avoiding ponchos, scarves, jackets with neck drawstrings, helmets with straps, and other loose-fitting clothing that is potentially hazardous while using equipment.
- Instruct children not to climb when the equipment is wet.
- Instruct children not to attach items to the playground equipment that are not specifically designed for use with the equipment, such as, but not limited to, jump ropes, clothesline, pet leashes, cables and chain as they may cause a strangulation hazard.



## ADVERTENCIA



## AVERTISSEMENT



***Este producto es para niños de 3 a 12 años de edad. Este producto es para uso residencial únicamente. No lo instale sobre concreto, asfalto, tierra empaquetada o cualquier otra superficie dura. La caída sobre una superficie dura podría ocasionar serias lesiones.***

***Si se presta atención a los siguientes enunciados y avisos de advertencia se reduce la probabilidad de producirse lesiones serias o mortales:***

- Los niños de todas las edades deben estar bajo la supervisión de un adulto en el lugar.
- Los niños no deben caminar junto, enfrente, detrás de o entre las piezas móviles.
- Indique a los niños no torcer las cadenas o sogas de los columpios ni pasarlas por encima de la barra de soporte superior, ya que puede reducirse la resistencia de las cadenas o sogas, según sea el caso.
- Indique a los niños que eviten impulsar columpios vacíos.
- Enseñe a los niños a sentarse en el centro de los columpios, con todo su peso en los asientos. Nunca deben pararse ni inclinarse en el asiento del columpio.
- Indique a los niños no usar el equipo de ninguna forma diferente a la indicada.
- Indique a los niños no bajarse del equipo cuando esté en movimiento.
- Para evitar la posibilidad de que los niños se enreden y estrangulen, vístalos debidamente con zapatos debidamente ajustados y sin ponchos, bufandas, chamarras con cordones de apriete en el cuello, cascos con correas y otras ropas holgadas que puedan ser peligrosas al usar el equipo.
- Indique a los niños no subirse cuando esté húmedo el equipo.
- Indique a los niños no adherir al equipo de patio de juegos objetos no diseñados específicamente para éste, como cuerdas de saltar, cuerdas de tendedero de ropa, correas de mascotas, cables y cadenas, ya que podrían causar un peligro de estrangulación.

***Ce produit est conçu pour un usage par des enfants âgés de 3 à 12 ans. Ce produit est réservé à un usage personnel seulement. Ne pas installer sur du béton, de l'asphalte, de la terre compactée ou toute autre surface dure. Une chute sur une surface dure peut entraîner des blessures graves.***

***L'observation des déclarations et des avertissements suivants réduit les risques de blessures graves ou fatales:***

- La présence d'un adulte surveillant les enfants de tous âges doit être assurée.
- Veiller à ce que les enfants ne marchent pas près, devant, derrière ou entre les éléments en mouvement.
- Veiller à ce que les enfants ne tordent pas les chaînes ou cordes de la balançoire. De même, veiller à ce que les enfants ne bouclent pas les chaînes ou les cordes au-dessus de la barre de support supérieure, car cela pourrait en réduire leur solidité.
- Veiller à ce que les enfants ne balancent pas les sièges vides.
- Veiller à ce que les enfants s'assoient au centre des sièges de la balançoire, avec leur plein poids sur le siège. Veiller à ne jamais s'asseoir, s'agenouiller ou se tenir debout sur le siège.
- Veiller à ce que les enfants n'utilisent pas l'équipement à d'autres fins que pour l'usage prévu.
- Veiller à ce que les enfants ne descendent pas de l'équipement lorsqu'il est encore en mouvement.
- Pour éviter l'emmêlement des cordes et des chaînes et ainsi éviter tout risque d'étranglement, veiller à habiller les enfants correctement. Utiliser des souliers bien adaptés. Ne pas mettre des ponchos, foulards, blousons avec des cordons près du cou, casques avec des sangles et tout autre vêtement ample pouvant potentiellement s'avérer dangereux lors de l'utilisation de l'équipement.
- Veiller à ce que les enfants ne grimpent pas sur l'équipement quand celui-ci est mouillé.
- Veiller à ne pas attacher d'objets sur l'équipement de jeu non spécifiquement conçus pour cet équipement, tels que, mais sans s'y limiter, cordes à sauter, cordes à linge, laisses d'animaux, câbles et chaînes. Ceux-ci posent un risque d'étranglement.

Lifetime Products, Inc  
Clearfield, UT 84016

[www.lifetime.com](http://www.lifetime.com)

12/24/2008 # 1048430

## **WARRANTY INFORMATION**

### **LIFETIME PLAYGROUND EQUIPMENT 5-YEAR LIMITED FACTORY WARRANTY\***

**THE MANUFACTURER RESERVES THE RIGHT TO MAKE SUBSTITUTIONS TO WARRANTY CLAIMS IF PARTS ARE UNAVAILABLE OR OBSOLETE.**

1. Lifetime Playground systems are warranted to the original purchaser to be free from defects in material or workmanship for a period of five years from the date of original retail purchase. The word "defects" is defined as imperfections that impair the use of the product. Defects resulting from misuse, abuse or negligence will void this warranty. This warranty does not cover defects due to improper installation, alteration or accident. This warranty does not cover damage caused by vandalism, rusting, "acts of nature" or any other event beyond the control of the manufacturer.
2. This warranty is nontransferable and is expressly limited to the repair or replacement of defective playground equipment. If the equipment is defective within the terms of this warranty, Lifetime Products, Inc. will repair or replace defective parts at no cost to the purchaser. Shipping charges to and from the factory are not covered and are the responsibility of the purchaser. Labor charges and related expenses for removal, installation or replacement of the playground system or its components are not covered under this warranty.
3. This warranty does not cover scratching or scuffing of the product that may result from normal usage. In addition, defects resulting from intentional damage, negligence or unreasonable use will void this warranty.
4. Liability for incidental or consequential damages is excluded to the extent permitted by law. While every attempt is made to embody the highest degree of safety in all equipment, freedom from injury cannot be guaranteed. The user assumes all risk of injury resulting from the use of this product. All merchandise is sold on this condition, and no representative of the company may waive or change this policy.
5. This product is not intended for institutional or commercial use; Lifetime Products, Inc. does not assume any liability for such use. Institutional or commercial use will void the warranty.
6. This warranty is expressly in lieu of all other warranties, expressed or implied, including warranties of merchantability or fitness for use to the extent permitted by Federal and state law. Neither Lifetime Products, Inc., nor any representative assumes any other liability in connection with this product. This warranty gives you specific legal rights, and you may also have other rights which vary from state to state.

**ALL WARRANTY CLAIMS MUST BE ACCOMPANIED BY A SALES RECEIPT.**

**REPORT PRODUCT DEFECTS IN WRITING TO:**

Lifetime Products, Inc., PO Box 160010 Clearfield, UT 84016-0010 or call (800) 225-3865 M-F 7 a.m. to 5 p.m. MST.

Please include your dated sales receipt and photographs of damaged parts.

**Save this owner's manual for future reference and in the event that the manufacturer has to be contacted.**

To register the product, visit our Web site at [www.lifetime.com](http://www.lifetime.com)



[www.lifetime.com](http://www.lifetime.com)

\*Warranty is only valid in the United States.

## INFORMATION SUR LA GARANTIE

### ÉQUIPEMENT DE TERRAIN DE JEU LIFETIME

#### GARANTIE DE FABRICATION LIMITÉE DE 5 ANS\*

**LE MANUFACTURIER SE RÉSERVE LE DROIT DE FAIRE DES SUBSTITUTIONS AUX RÉCLAMATIONS DE GARANTIE SI DES PIÈCES NE SONT PAS DISPONIBLES OU OBSOLÈTES.**

1. Les systèmes de Terrain de Jeu Lifetime sont garantis pour l'acheteur original d'être libres de tout défaut de matériel ou main d'oeuvre pour une période de cinq ans à partir de la date d'achat originale sur la facture. Le mot « défaut » est défini comme une imperfection pouvant affecter l'utilisation du produit. Les défauts résultant d'une mauvaise utilisation, abus ou de négligence annulera cette garantie. Cette garantie ne couvre pas les défauts dus à une installation incorrecte, toute altération ou accident. Cette garantie ne couvre pas les dommages causés par du vandalisme, de la rouille, « force majeure » ou tout autre événement en dehors du contrôle du manufacturier.

2. Cette garantie est non-transférable et est expressément limitée à la réparation ou au remplacement d'équipement de terrain de jeu défectif. Si l'équipement est défectif dans les termes de cette garantie, Lifetime Products, Inc. réparera ou remplacera les pièces défectives sans frais pour l'acheteur. Les frais de livraison à et de l'usine ne sont pas couverts et sont la responsabilité de l'acheteur. Les frais de main d'oeuvre et dépenses connexes pour l'enlèvement, installation ou remplacement du système de terrain de jeu ou ses composantes ne sont pas couverts sous cette garantie.

3. Cette garantie ne couvre pas les égratignures ou éraflures du produit pouvant résulter d'un usage normal. De plus, les défauts résultant de dommage intentionnel, négligence, utilisation non raisonnable annuleront cette garantie.

4. Toute responsabilité pour dommages accessoires ou indirects est exclue dans la mesure où cela est permis par la loi. Même si toute tentative est faite pour incorporer le plus haut degré de sécurité dans tout équipement, la sécurité contre les blessures ne peut être garantie. L'utilisateur assume tous les risques d'accident résultant de l'utilisation de ce produit. Toute marchandise est vendue sous cette condition, et aucun représentant de la compagnie ne peut déroger à ou modifier cette politique.

5. Ce produit n'est pas conçu pour une utilisation institutionnelle ou commerciale ; Produits Lifetime Inc. n'assume aucune responsabilité pour de tels usages. L'utilisation institutionnelle ou commerciale annule cette garantie.

6. Cette garantie est expressément prioritaire sur toute autre garantie, expresse ou implicite, incluant toute garantie de valeur marchande ou adéquation pour l'utilisation dans la mesure où cela est permis par la loi provinciale ou fédérale. Ni Produits Lifetime Inc., ni ses représentants n'assument aucune autre responsabilité en relation avec ce produit. Cette garantie vous donne des droits légaux spécifiques, et vous pouvez également avoir d'autres droits qui peuvent varier d'une province à l'autre.

**TOUS LES RECOURS EN GARANTIE DOIVENT ÊTRE ACCOMPAGNÉS DU REÇU D'ACHAT.**

**ENVOYEZ TOUS RAPPORTS SUR PRODUIT DÉFECTUEUX PAR ÉCRIT À :**

Lifetime Products, Inc., PO Box 160010 Clearfield, UT 84016-0010, ou appelez au 1.800.225.3865  
lundi au vendredi 0700 à 1700 (HNR)

**\*\*Appelez, ou rendez-vous une visite à notre site Web pour obtenir les heures de samedi\*\***

Veuillez inclure votre reçu d'achat daté et des photographies des pièces endommagées.

**Pour enregistrer le produit, rendez-vous sur notre site Web : [www.lifetime.com](http://www.lifetime.com).**



[www.lifetime.com](http://www.lifetime.com)

\*La garantie est valide aux États Unis seulement.



## **INFORMACIÓN SOBRE LA GARANTÍA**

### **EQUIPO LIFETIME PLAYGROUND 5 AÑOS DE GARANTÍA DE FÁBRICA LIMITADA\***

**EL FABRICANTE SE RESERVA EL DERECHO DE EFECTUAR SUSTITUCIONES A LAS RECLAMACIONES DE GARANTÍA SI NO CUENTA CON LAS PIEZAS REQUERIDAS O ESTAS SON OBSOLETAS.**

1. Se garantiza al comprador original que los sistemas Lifetime Playground están libres de defectos en el material o la mano de obra durante un período de cinco años a partir de la fecha de la compra al menudeo original. La palabra "defectos" se define como las imperfecciones que afectan el uso del producto. Los defectos resultantes del uso equivocado, del abuso o de la negligencia anulan esta garantía. Esta garantía no cubre los defectos debidos a la instalación incorrecta, la alteración o a accidentes. Esta garantía no cubre el daño ocasionado por vandalismo, oxidación, "actos de la naturaleza" o cualquier otro evento más allá del control del fabricante.
2. Esta garantía es intransferible y está limitada expresamente a la reparación o el reemplazo del equipo de patio de recreo defectuoso. Si el equipo sale defectuoso dentro de los términos de esta garantía, Lifetime Products, Inc. reparará o reemplazará las piezas defectuosas sin costo para el comprador. Los gastos de envío a la fábrica y de regreso de ella no están cubiertos y son responsabilidad del comprador. Los cargos de mano de obra y los gastos relacionados para el desmontaje, instalación o vuelta a colocar del sistema de patio de recreo o sus componentes no están cubiertos por esta garantía.
3. Esta garantía no cubre los arañazos o el raspado del producto resultante del uso normal. Además, los defectos resultantes del daño intencional, negligencia, uso no razonable anularán esta garantía.
4. La responsabilidad por daños incidentales o consecuenciales se excluye hasta donde lo permite la ley. Aunque se realizan todos los intentos para plasmar el grado de seguridad más alto en todo el equipo, no se puede garantizar la libertad de lesiones. El usuario asume todos los riesgos de lesión resultantes del uso de este producto. Toda la mercancía se vende en esta condición y ningún representante de la compañía puede no aplicar o cambiar esta política.
5. Este producto no está diseñado para uso institucional o comercial; Lifetime Products, Inc. no asume ninguna responsabilidad por tal uso. El uso institucional o comercial anula esta garantía.
6. Esta garantía expresamente sustituye a todas las demás garantías, expresadas o implícitas, incluidas las garantías de uso comercial o adecuación de uso hasta el alcance permitido por la ley Federal y estatal. Ni Lifetime Products, Inc., ni ningún representante asume ninguna otra responsabilidad en conexión con este producto. Esta garantía le concede derechos legales específicos y usted puede contar con otros derechos, los cuales varían entre estados.

**TODOS LOS RECLAMOS DE GARANTÍA DEBEN ESTAR ACOMPAÑADOS POR UN RECIBO DE COMPRA.  
INFORME POR ESCRITO LOS DEFECTOS EN EL PRODUCTO A:**

Lifetime Products, Inc., PO Box 160010 Clearfield, UT 84016-0010, o llame al (800) 225-3865  
l-v 0700 a 1700 (TNR)

**\*\*Llame, o visite nuestro Sitio Web para obtener las horas de sábado\*\***

Por favor, incluya su recibo de compra fechado y fotografías de las piezas dañadas.

**Para registrar el producto, visite nuestra página de Internet en [www.lifetime.com](http://www.lifetime.com)**



[www.lifetime.com](http://www.lifetime.com)

\*La garantía es válida sólo en los Estados Unidos.

**ENHANCE YOUR LIFETIME® PURCHASE BY ADDING ACCESSORIES OR OTHER GREAT PRODUCTS**

*To purchase accessories or other Lifetime® products, visit us at:*

***www.lifetime.com***

*Or call: 1-800-424-3865*

**MEJORE SU COMPRA LIFETIME® Y AÑADA ACCESORIOS U OTROS PRODUCTOS EXCELENTES**

*Para comprar accesorios u otros productos Lifetime® EUA, visítenos en:*

***www.lifetime.com***

*O llame al: 1.800.424.3865*

**AMÉLIOREZ VOTRE ACHAT LIFETIME® EN AJOUTANT DES ACCESSOIRES OU AUTRES PRODUITS**

*Pour acheter des accessoires ou autres produits Lifetime®, rendez-vous une visite à :*

***www.lifetime.com***

*Ou appelez-nous au 1.800.424.3865*

