

16992



STOP

DO NOT RETURN TO THE STORE!

If you discover missing or damaged parts, or if you have questions about the building process, please reach out to us directly for the fastest service.

24/7 Support

help.backyardproducts.com



- Answers to frequently asked questions
- Technical assistance and how-to videos
- Submit a help request
- Request replacement parts

Business Hours

(734) 242-6900

Monday - Friday 8:00am - 6:00pm EST
Saturday - Sunday Closed



Did you enjoy building your shed?

JOIN OUR TEAM

AND MAKE UP TO \$1,500/WEEK*

Call a Recruiter Today! 734-365-7000



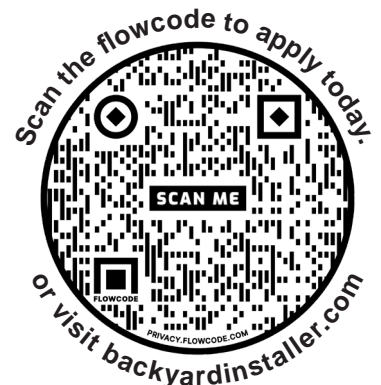
Flexible schedule



No selling,
just building



Bonus incentives
available



*based on number of completed installations



A Backyard Products Company

ASSEMBLY MANUAL

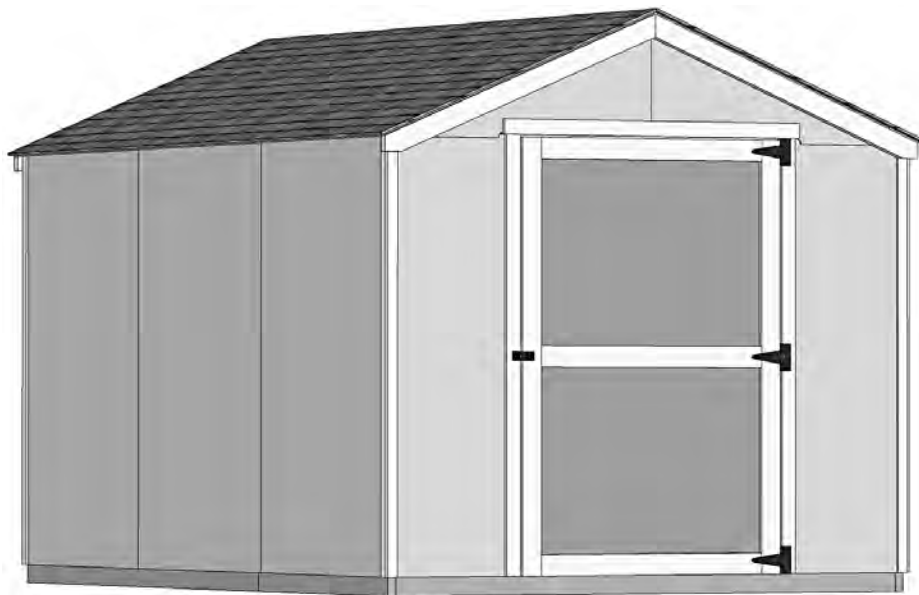
16992

01/10/2022

GABLE 8' x 12' (243,8 x 365,8 cm)

ACTUAL FLOOR SIZE IS 96 x 140-5/8" (243,8 x 357,2 cm)

KEEP THIS MANUAL FOR FUTURE REFERENCE



⚠ IMPORTANT! ⚠

READ INSTRUCTIONS THOROUGHLY PRIOR TO BEGINNING ASSEMBLY.

BEFORE YOU BEGIN

• BUILDING RESTRICTIONS AND APPROVALS

Be sure to check local building department and homeowners association for specific restrictions and/ or requirements before building.

• ENGINEERED DRAWINGS

Contact our Customer Service Team if engineered drawings are needed to pull local permits.

• SURFACE PREPARATION

To ensure proper assembly you must build your shed on a level surface.

Recommended methods and materials to level your shed are listed on page 7.

• CHECK ALL PARTS

Inventory all parts listed on pages 5-6.

• ADDITIONAL MATERIALS

You will need additional materials to complete your shed. See page 4 for required and optional materials and quantities.



*****CONTACT OUR CUSTOMER SERVICE TEAM
IF ANY PARTS ARE MISSING OR DAMAGED*****




- Order form and warranty at back of manual -

Call: 1-734-242-6900 email: customerservice@backyardproducts.com

TOOLS

Required

Phillips Screwdriver 

Drill / Driver 

- 3/8" Drill Bit
- 1/4" Drill Bit
- 1/2" Drill Bit
- 1/8" Drill Bit
- #2 Phillips Drive Bit

Level 


Pencil 


Tape Measure 

Square  or 

Utility Knife 

Shingle Blades 

Caulk Gun 

Paint Tools 


Safety Glasses 


Ladder 

Optional


Tool Belt/ Nail Pouch 


Tin Snips (for drip edge) 

Chalk Line 

Nail Gun 

• gun nails

Gloves 


Hammer 


Safety! Always use approved safety glasses during assembly.


HELPFUL REMINDER SYMBOLS


Look for these symbols for helpful reminders throughout this manual.


 = Assistance Required; two or more people.


 = Ensure squareness.

 = Important required step or operation.

 = Helpful assembly hint.

 = Mark part with pencil.

 **BEGIN** = Beginning of steps for assembly or installation.

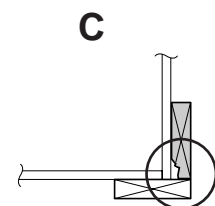
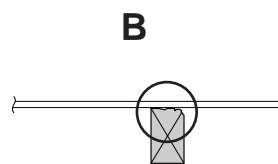
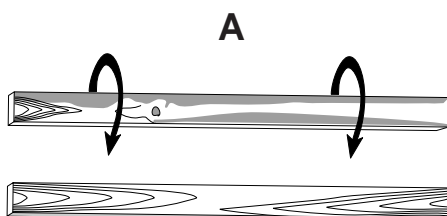
 **FINISH** = You have finished the assembly or installation.

 = Level

ORIENT LUMBER AND TRIM FOR BEST APPEARANCE

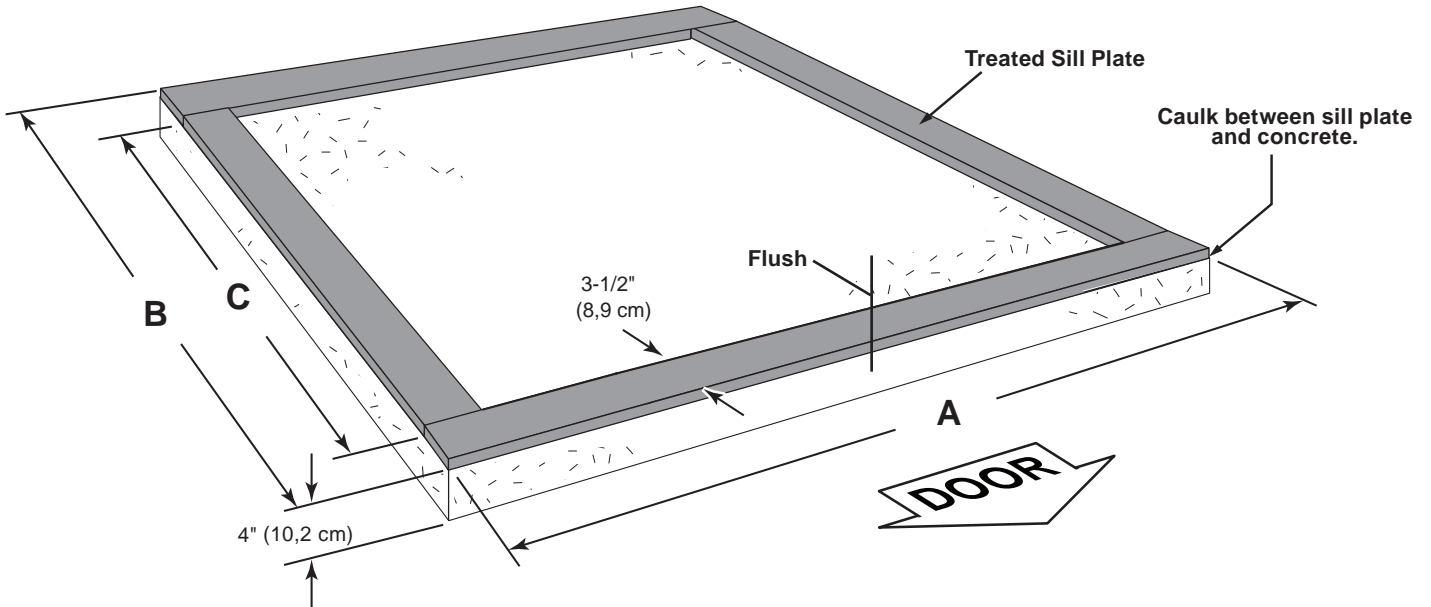
Framing lumber is graded for structural strength and not appearance. Exterior trim is graded for one good side.

Always install the material leaving the best edge and best surface visible. Please remember that these blemishes in no way negatively affect the strength or integrity of our product. (See Fig. A, B, C.)



CONCRETE FOUNDATION

If you choose to install your kit on a concrete slab refer to the diagram below.



Slab must be flush at the front of the shed for door opening clearance. Any over-sized slab must have the excess at the sides or back of shed.



Building Size	Actual Size	A	B	C
8' x 12' (243,8 x 365,8 cm)	96" x 140-5/8" (243,8 x 357,2 cm)	96" (243,8 cm)	140-5/8" (357,2 cm)	133-5/8" (339,4 cm)

Requires:

x2 2 x 4 x 12' (5,1 x 10,2 x 365,8 cm) **MUST be treated lumber.**

x2 2 x 4 x 8' (5,1 x 10,2 x 243,8 cm) **MUST be treated lumber.**

x1 Caulk

Allow new concrete slabs to cure for at least seven (7) days.

- A treated 2 x 4 (5,1 x 10,2 cm) sill plate is required when installing your shed on concrete.
Hint: Purchase full length treated lumber.
- Use a high quality exterior grade caulk beneath all sill plates.
- Fasten 2 x 4 (5,1 x 10,2 cm) sill plates to slab using approved concrete anchors (**fasteners not included**).
- Check local code for concrete foundation requirements.

NOTES

ADDITIONAL MATERIALS

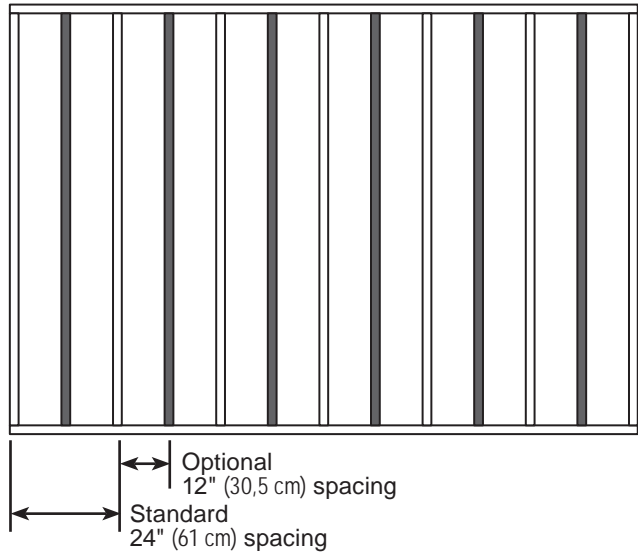
FOUNDATION OR FLOOR MATERIALS

- This shed kit includes a wood floor system.
- This shed does not include any leveling materials.
- **See the FLOOR LEVELING section on page 7 for recommended methods and suggested materials to properly level your floor, as this will vary depending on your specific site.**

REINFORCED WOOD FLOOR FRAME (OPTIONAL)

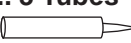
IMPORTANT! The included floor has been designed for general use. Depending on your specific use you may want to construct a heavy duty floor frame by adding additional floor joists (shown below as shaded). Below is a list of additional materials (not included):

- x6** 2 x 4 x 8' (5,1 x 10,2 x 243,8 cm) Treated Lumber
Cut to 2 x 4 x 93" (5,1 x 10,2 x 236,2 cm)
- x24** ea. 3" (7,6 cm) Hot Dipped Galvanized Nails



COMPLETING YOUR SHED

You will need these additional materials:

- | | |
|--|---|
| <input type="checkbox"/> 3-TAB SHINGLES 5 Bundles | <input type="checkbox"/> 1" GALVANIZED ROOFING NAILS 3 Lbs
For shingles. |
| <input type="checkbox"/> PAINT FOR SIDING 2 Gallons
Use 100% acrylic latex exterior paint. (2) coats recommended. | <input type="checkbox"/> PAINT FOR TRIM1 Quart
Use 100% acrylic latex exterior paint. |
| <input type="checkbox"/> CAULK 3 Tubes
Use acrylic latex exterior caulk that is paintable.  | <input type="checkbox"/> 1" GALVANIZED ROOFING NAILS1/4 Lb
For roofing felt. |

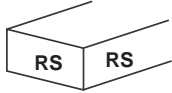
! TO VALIDATE WARRANTY YOU MUST USE THE FOLLOWING: !

- | | |
|---|--|
| <input type="checkbox"/> DRIP EDGE 20 Feet | <input type="checkbox"/> #15 ROOFING FELT
To cover 126 Sq. Ft. of roof area. |
|---|--|

REFER TO THE BACK OF THIS MANUAL AND THE MANUFACTURER'S INSTRUCTIONS FOR INSTALLATION OF SHINGLES, DRIP EDGE AND FELT.

PARTS IDENTIFICATION AND SIZES

Part identification is stamped on some parts.



• Check these locations for part stamp.

Treated lumber is stamped:

TREATED

WOOD SIZE CONVERSION CHART

Nominal Board Size	Actual Size
2 x 4	1-1/2" x 3-1/2" (3,8 x 8,9 cm)
1 x 4	3/4" x 3-1/2" (1,9 x 8,9 cm)
2 x 3	1-1/2" x 2-1/2" (3,8 x 6,3 cm)
1 x 3	3/4" x 2-1/2" (3,8 x 6,3 cm)

PARTS LIST



INVENTORY YOUR PARTS before you begin.

We suggest sorting parts by the category they are listed in.

FLOOR

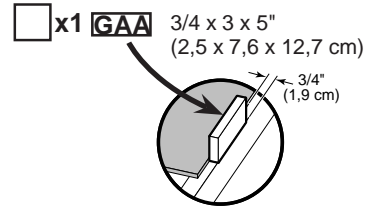
- x1 **TREATED** 2 x 4 x 44-5/8" (5,1 x 10,2 x 113,3 cm)
- x1 **TREATED** 2 x 4 x 48" (5,1 x 10,2 x 121,9 cm)
- x1 **TREATED** 2 x 4 x 92-5/8" (5,1 x 10,2 x 235,3 cm)
- x7 **TREATED** 2 x 4 x 93" (5,1 x 10,2 x 236,2 cm)
- x1 **TREATED** 2 x 4 x 96" (5,1 x 10,2 x 243,8 cm)

Treated lumber is stamped:

TREATED

WALL

- x2 **RK** 2 x 3 x 13" (5,1 x 7,6 x 33 cm)
- x2 **BV** 2 x 3 x 17-1/2" (5,1 x 7,6 x 44,5 cm)
- x2 **CI** 2 x 3 x 34" (5,1 x 7,6 x 86,4 cm)
- x2 **GYA** 2 x 3 x 46-5/16" (5,1 x 7,6 x 117,6 cm)
- x2 5/8" x 2-1/2" x 46-5/16" (1,6 x 6,3 x 117,6 cm) OSB
- x1 **DS** 1 x 3 x 55" (2,5 x 7,6 x 137,2 cm)
- x14 **CJ** 2 x 3 x 67-3/8" (5,1 x 7,6 x 171,1 cm)
- x2 **KU** 2 x 3 x 69-1/2" (5,1 x 7,6 x 176,5 cm)
- x1 **PS** 2 x 3 x 91" (5,1 x 7,6 x 231,1 cm)
- x2 5/8" x 2-1/2" x 94-5/16" (1,6 x 6,3 x 239,6 cm) OSB
- x2 **ICA** 2 x 3 x 94-5/16" (5,1 x 7,6 x 239,6 cm)
- x2 **PT** 2 x 3 x 96" (5,1 x 7,6 x 243,8 cm)



RAFTERS

- x10 6 x 24" (15,2 x 61 cm)
- x10 **CM** 2 x 4 x 52" (5,1 x 10,2 x 132,1 cm)
- x2 **GUA** 1 x 3 x 60" (2,5 x 7,6 x 152,4 cm)
- x4 **CL** 2 x 4 x 53-11/16" (5,1 x 10,2 x 136,4 cm)

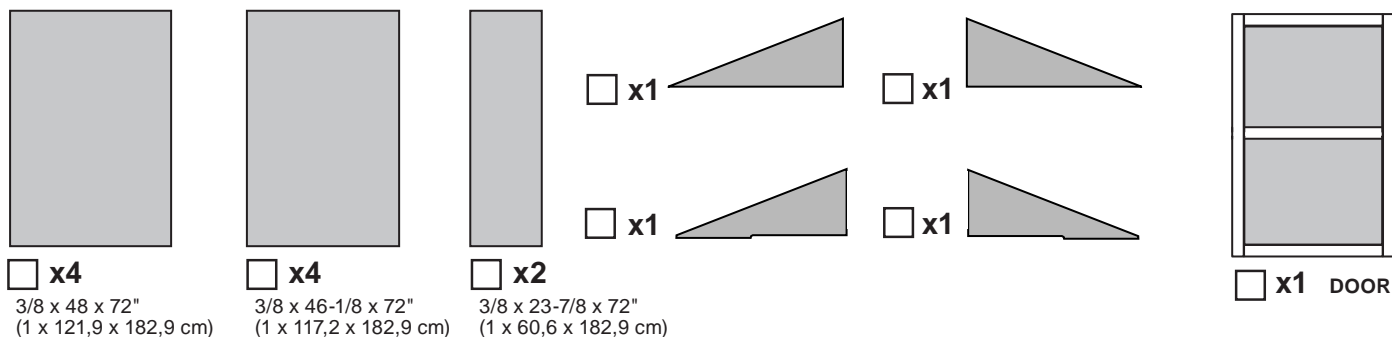
TRIM

- x1 **ZB** 19/32" x 2-1/2" x 55" (1,5 x 6,3 x 176,5 cm)
- x4 3/8 x 1-3/4 x 71" (1 x 4,4 x 180,3 cm)
- x4 3/8 x 1-3/4 x 72" (1 x 4,4 x 182,9 cm)
- x2 **KY** 19/32" x 2-1/2" x 72-3/8" (1,5 x 6,3 x 183,8 cm)

DOOR

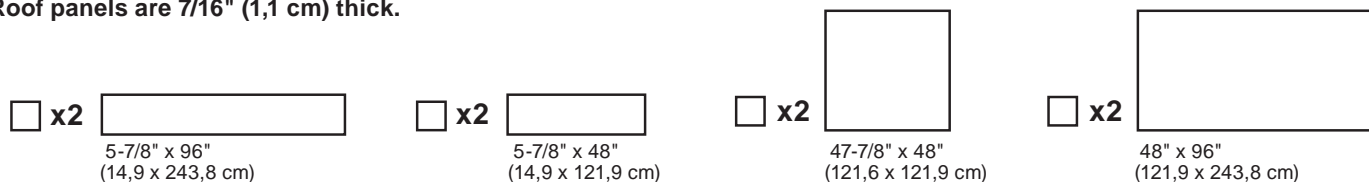
- x2 3/8 x 1-3/4 x 69" (1 x 4,4 x 175,3 cm)
- x1 **OO** 69" (175,3) Door Stiffener

WALL PANELS, AND DOORS



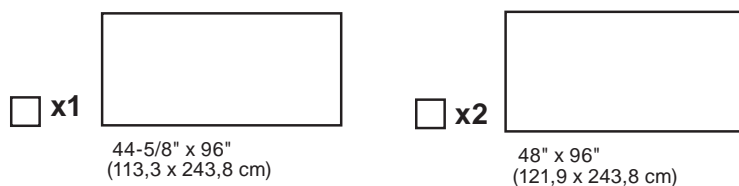
ROOF PANELS

Roof panels are 7/16" (1,1 cm) thick.

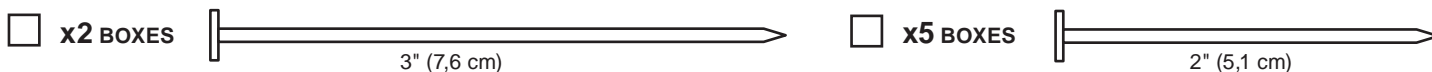


FLOOR PANELS

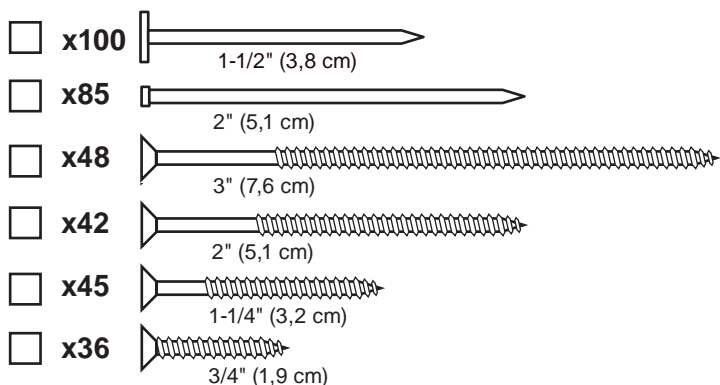
Floor panels are 5/8" (1,6 cm) thick.



NAIL BOXES

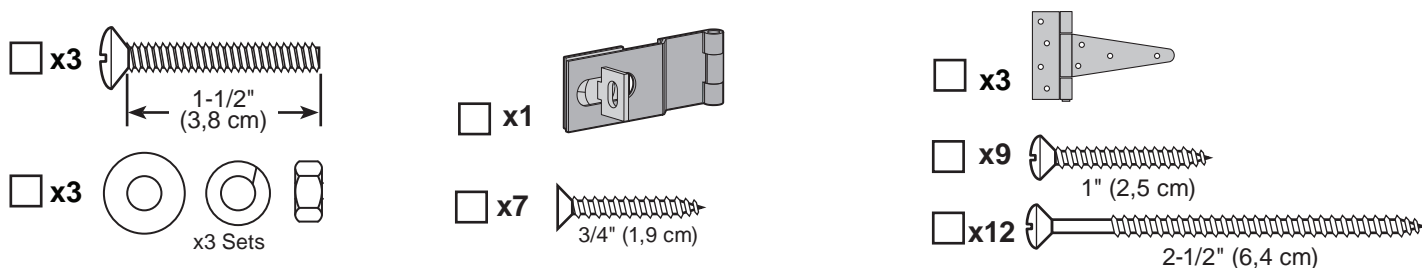


FASTENER/HARDWARE BAG



NOTE:
 If you are using a nail gun, nails may be used where screws are shown for quicker assembly. Length of nail must match screw length.

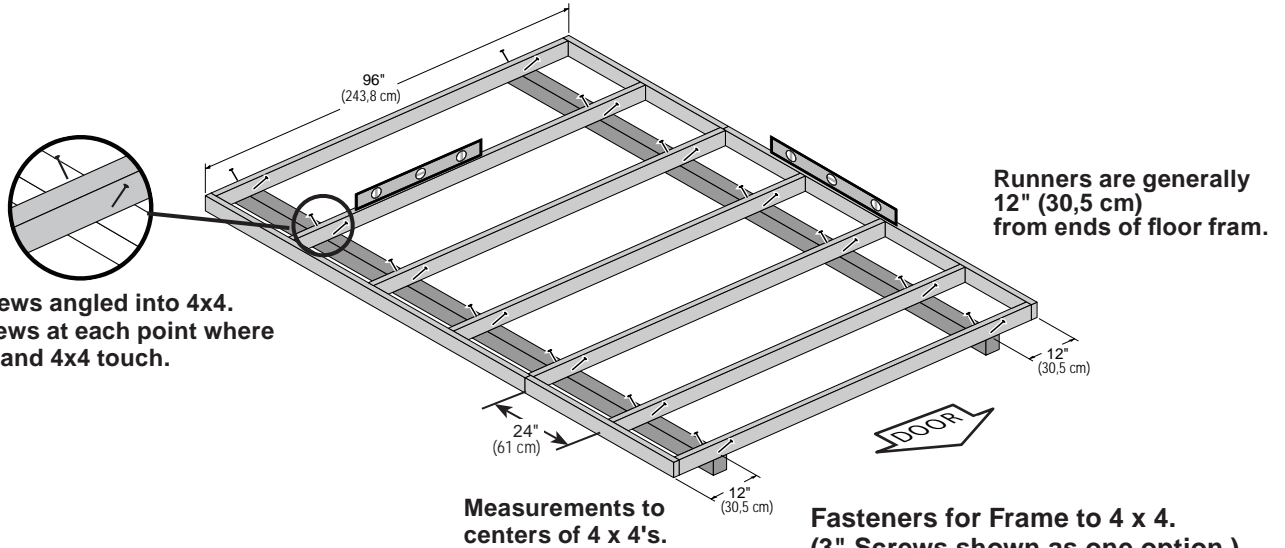
DOOR HARDWARE



FLOOR LEVELING OPTIONS

There are multiple ways to level your floor frame. Our recommended leveling method is shown below.
Leveling materials are not included in this kit.


PREFERRED METHOD - 4x4 TREATED RUNNERS



- 3" screws angled into 4x4.
- (2) screws at each point where frame and 4x4 touch.

Measurements to centers of 4 x 4's.

Fasteners for Frame to 4 x 4.
(3" Screws shown as one option.)
Minimum 3" screws / exterior grade.

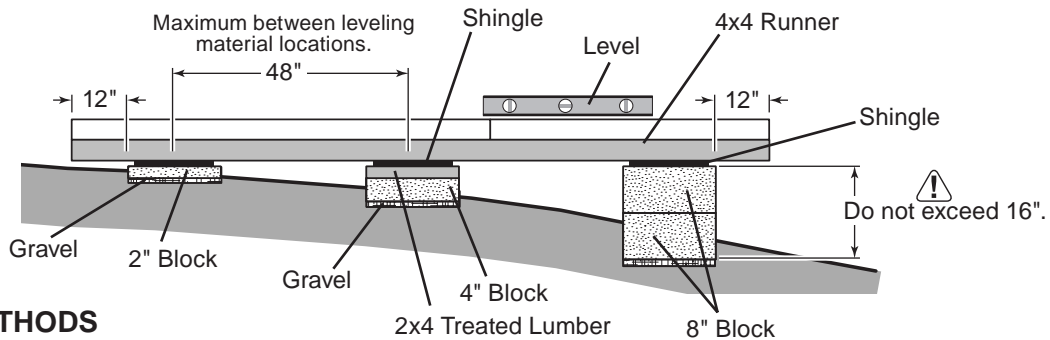
x28  3" (7,6 cm)

MATERIAL REQUIRED

x2 4 x 4 x 12' (10,2 x 10,2 x 365,8 cm) Treated Lumber

 Use only wood treated for ground contact and fasteners approved for use with treated wood.

 Always support frame seams.



LEVELING METHODS

- Level under 4x4 runners only.
- Locate leveling material 12" from ends of runners and no more than 48" apart.
- Asphalt shingles should be used between 4x4 runners and blocks or treated lumber. Never use shingles in direct contact with ground.
- For best results and aiding in water drainage use gravel under each concrete block.

LEVELING MATERIALS

- Gravel
- Solid Masonry Blocks in 1", 2", 4" or 8" thickness
- 2x4 Treated Lumber
- Asphalt Shingles

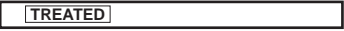




 Leveling higher than 16" not recommended.

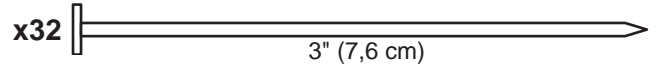
CONCRETE

- If you are building your shed on a concrete foundation see the following page.

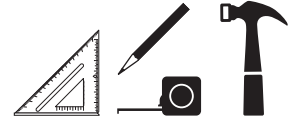
FLOOR FRAME

PARTS REQUIRED:

- x1  2 x 4 x 44-5/8" (5,1 x 10,2 x 113,3 cm)
- x1  2 x 4 x 48" (5,1 x 10,2 x 121,9 cm)
- x1  2 x 4 x 92-5/8" (5,1 x 10,2 x 235,3 cm)
- x7  2 x 4 x 93" (5,1 x 10,2 x 236,2 cm)
- x1  2 x 4 x 96" (5,1 x 10,2 x 243,8 cm)



NOTE:
Look for
TREATED
Stamp.

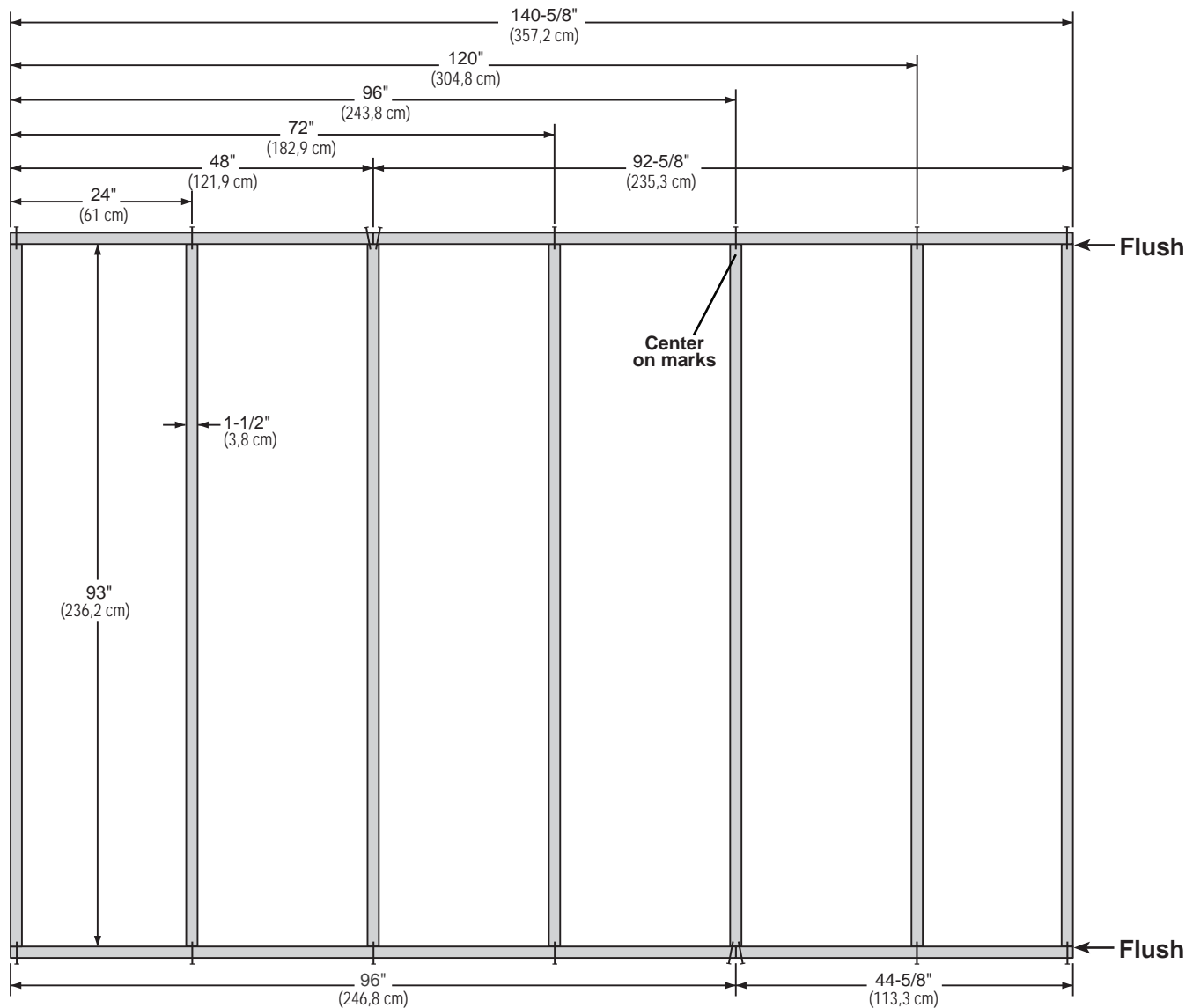
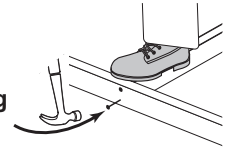


✓ BEGIN

- 1 Arrange parts as shown on flat surface. Measure and mark.
Secure with (2) 3" nails at each mark and (4) nails at seams.



HINT:
For easier nailing
stand on frame.



Your floor frame is now finished. Proceed to level and square frame.

STOP!



LEVEL AND SQUARE FLOOR FRAME



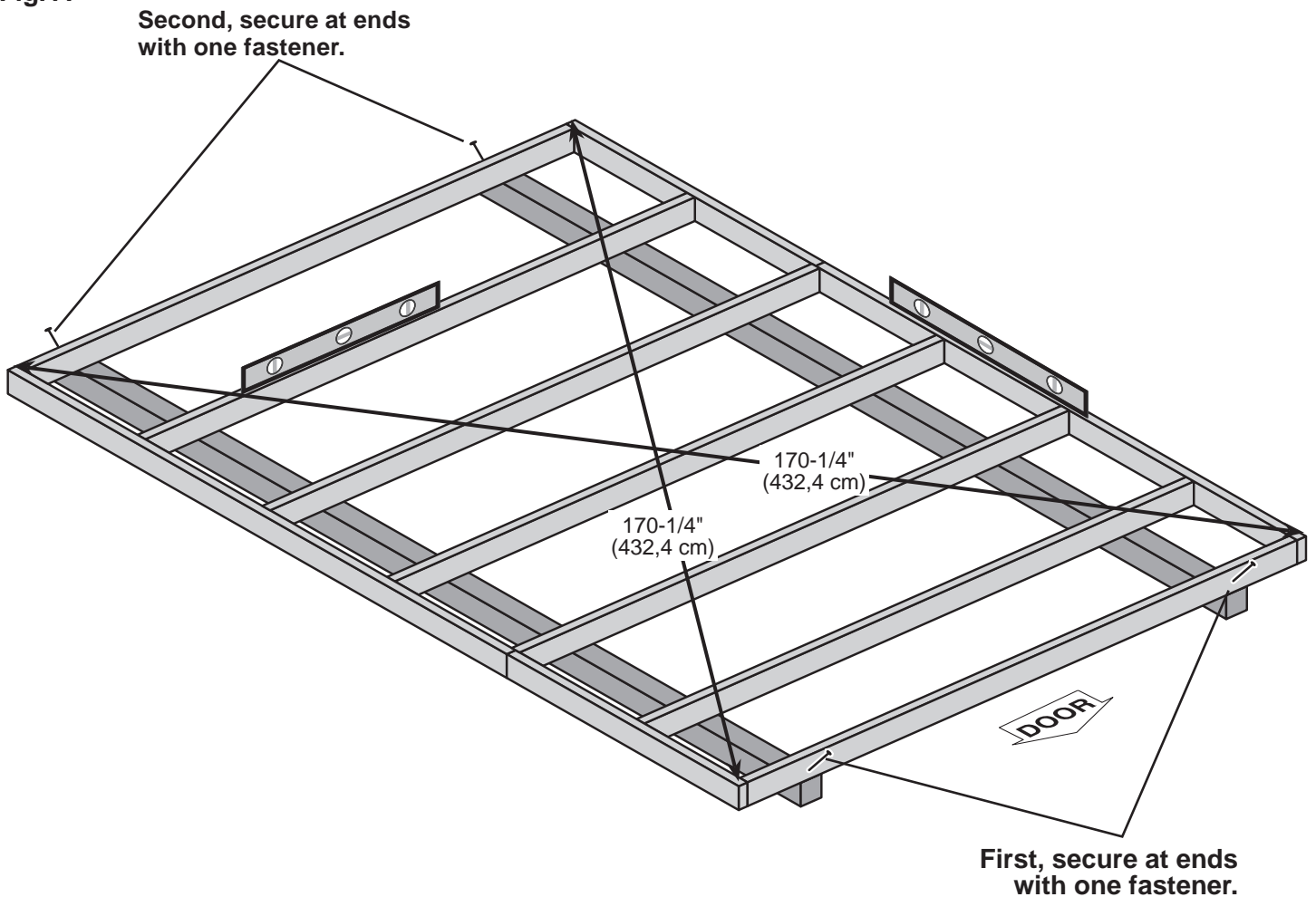
STOP!

Before attaching floor decking, it is important to level and square the floor frame. A level and square floor frame is required to correctly construct your shed.

BEGIN

- 1 See page 7 for the preferred floor leveling method.
- 2 Use level and check the frame is level before applying floor panels.
- 3 Check for frame squareness by measuring diagonally across corners. If the measurements are the same, the frame is square. The diagonal measurement will be approximately 170-1/4" (432,4 cm).
- 4 When the frame is level and square secure one side of frame to the 4x4 runners using one fastener at ends of each runner. At the opposite end of the frame, secure the frame to 4x4 runners with one fastener at ends of each runner making sure the frame remains square (**Fig. A**).

Fig. A

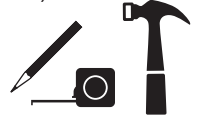
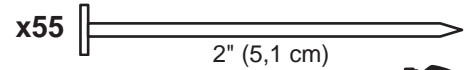
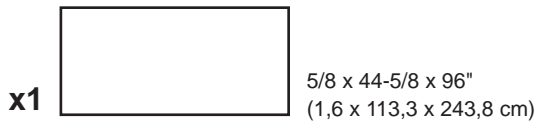


FINISH

Once the floor frame is level and square fasten the frame at each point the frame contacts the 4x4 runners.

FLOOR PANELS

PARTS REQUIRED:

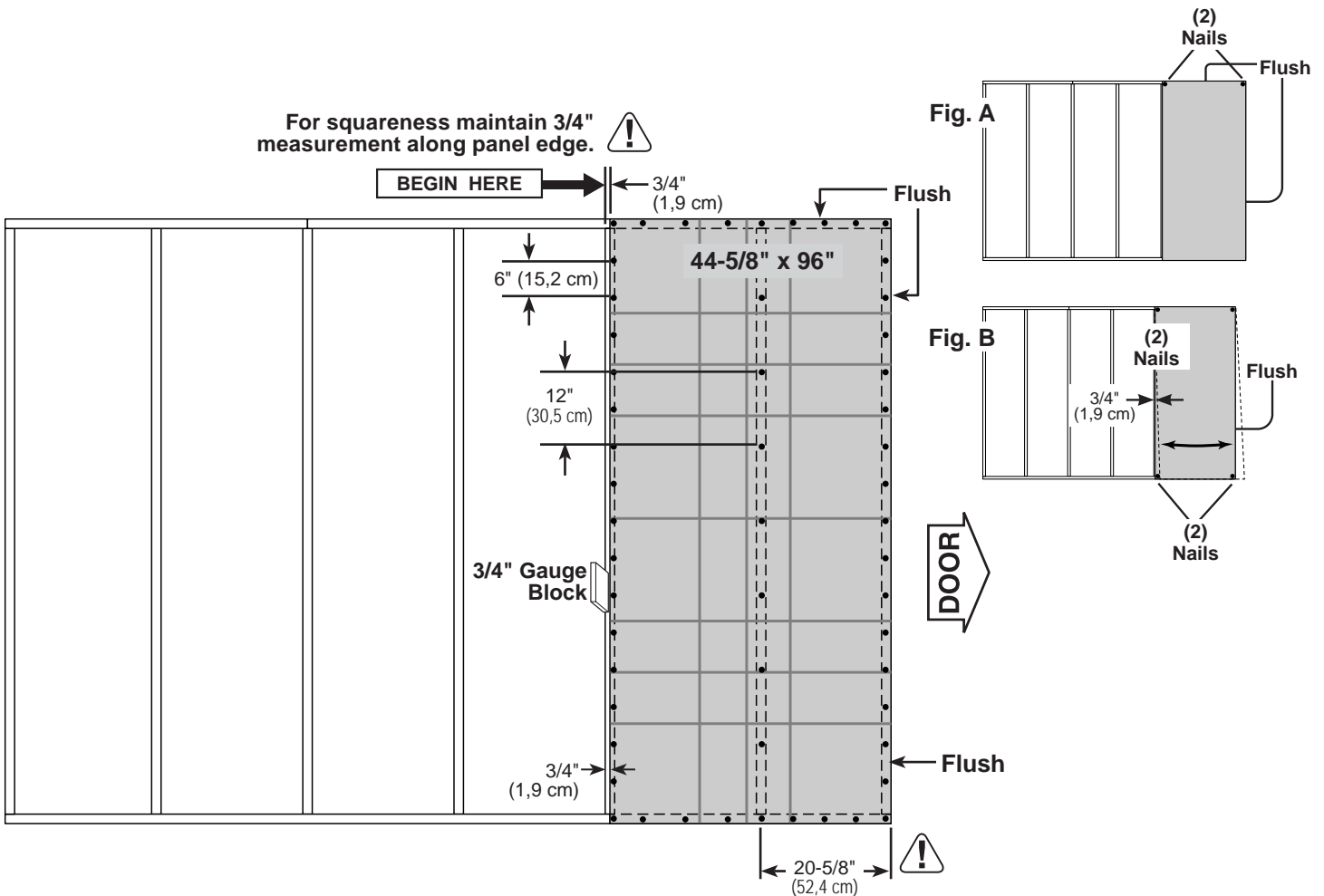


Install all floor panels with the rough side (painted grid lines) facing up.

 Ensure your floor frame is square by installing one panel and squaring frame.

✓ BEGIN

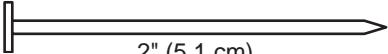
- 1 Place the 44-5/8 x 96" panel with the 48" edge and corner flush to the floor frame (**Fig A**). Secure panel with (2) 2" nails in the corners.
- 2 Move to the opposite side. Using the long edge of the panel as a lever, move the panel side-to-side until the corner is flush to the floor frame (**Fig. B**). Use the gauge block to ensure 3/4" on the joist. Secure panel with (2) 2" nails in the corners.
- 3 Ensure that the floor frame is square by measuring diagonally across the frame corners. If the measurements are the same, your floor frame is square. The measurement will be approximately 170-1/4" (432,4 cm).
- 4 Secure the panel with 2" nails spaced 6" apart on edges and 12" apart inside panel. Use a chalk line or use pre-painted grid lines to locate joists.

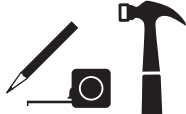


FLOOR PANELS

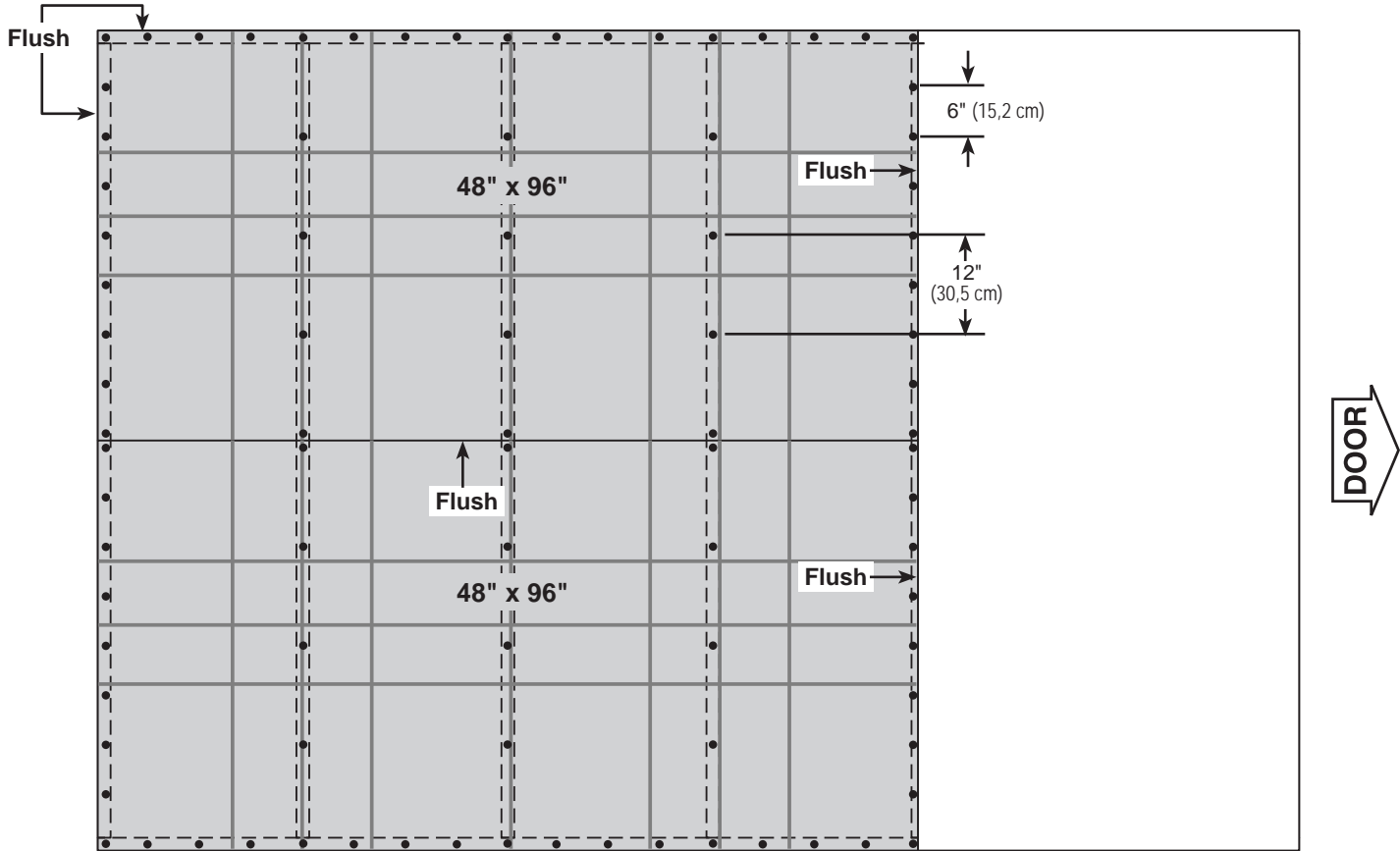
PARTS REQUIRED:

x2  5/8 x 48 x 96"
(1,6 x 121,9 x 243,8 cm)

x110  2" (5,1 cm)



- 5** Install (2) 48"x 96" panels flush to installed panels. Install middle panel first.
Secure panels with 2" nails spaced 6" apart on edges and 12" apart inside panels.

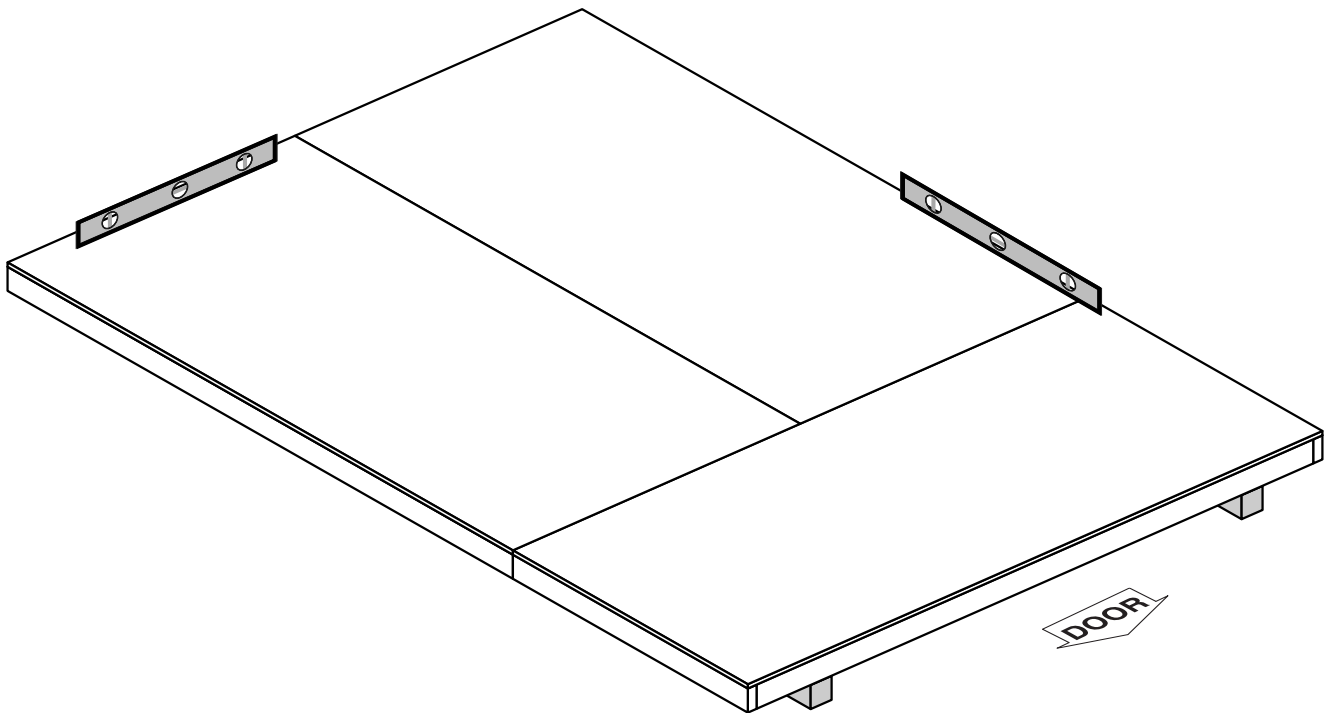


Your floor panels are now installed.

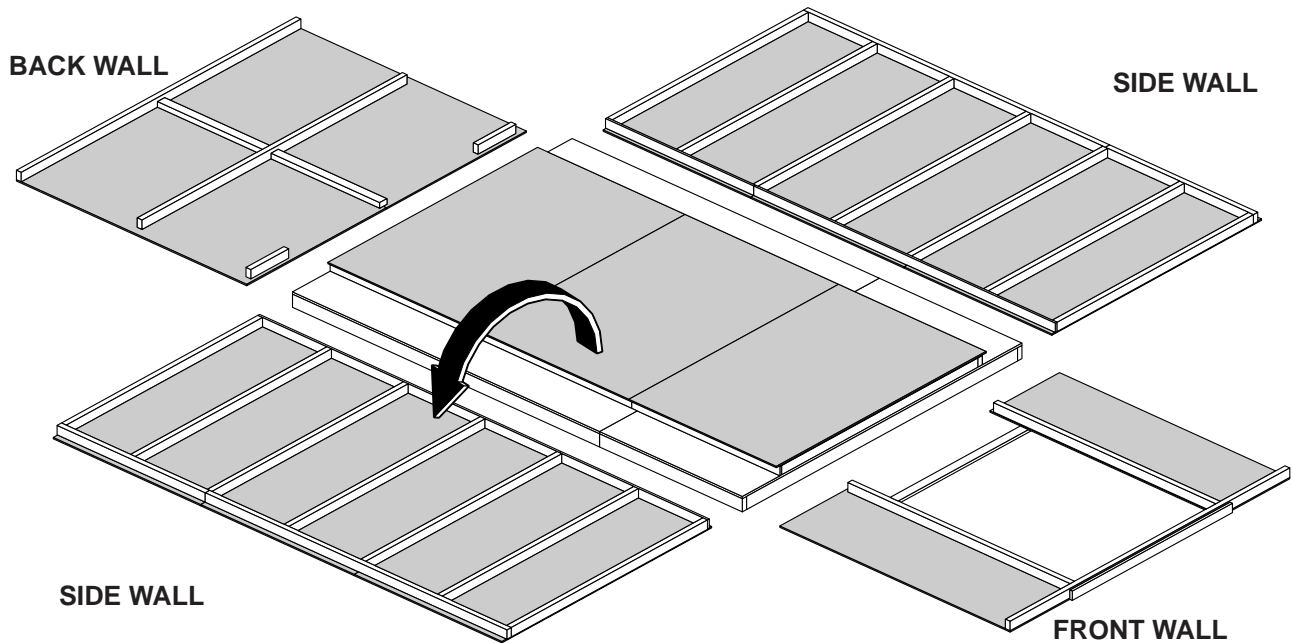
! IMPORTANT!

STOP!

Check the floor frame for level after installing floor panels.
Re-level if needed.



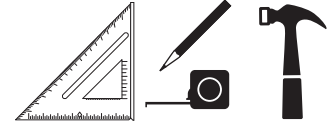
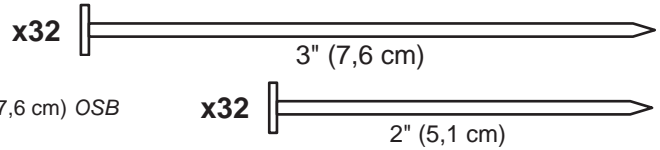
- The floor should be used as a stable work surface for wall construction.
- HINT:**
- Organize your assembly procedure during the build process to avoid over-handling of the walls.



SIDE WALL FRAMES

PARTS REQUIRED:

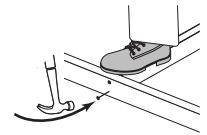
- x2 **GYA** 2 x 3 x 46-5/16" (5,1 x 7,6 x 117,6 cm)
- x2 5/8" x 2-1/2" x 46-5/16" (1,6 x 6,3 x 117,6 cm) OSB
- x14 **CJ** 2 x 3 x 67-3/8" (5,1 x 7,6 x 171,1 cm)
- x2 5/8" x 2-1/2" x 94-5/16" (1,6 x 6,3 x 239,6 cm) OSB
- x2 **ICA** 2 x 3 x 94-5/16" (5,1 x 7,6 x 239,6 cm)



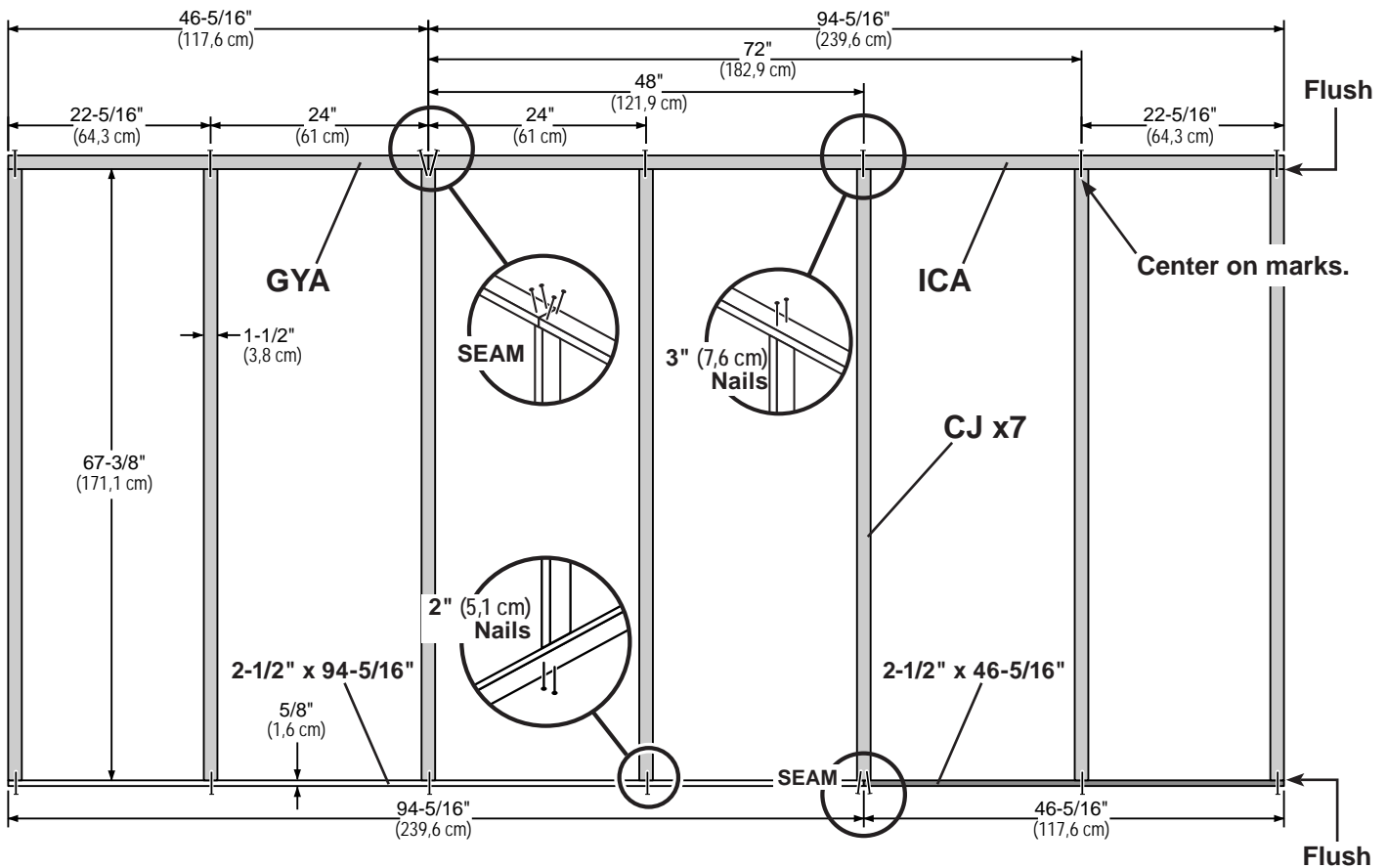
IMPORTANT! You will build two walls the same.

✓ BEGIN

HINT: For easier nailing stand on frame.

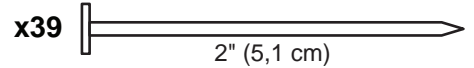
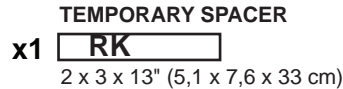
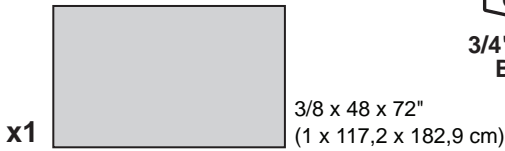


- 1 Arrange parts on edge on floor. Measure and mark from end of boards. Secure with (2) 3" nails at each mark and (4) 3" nails at seams.



SIDE WALL PANELS

PARTS REQUIRED:

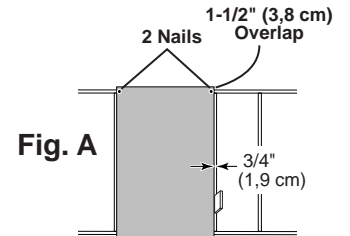


Install all wall panels with the primed side facing up.

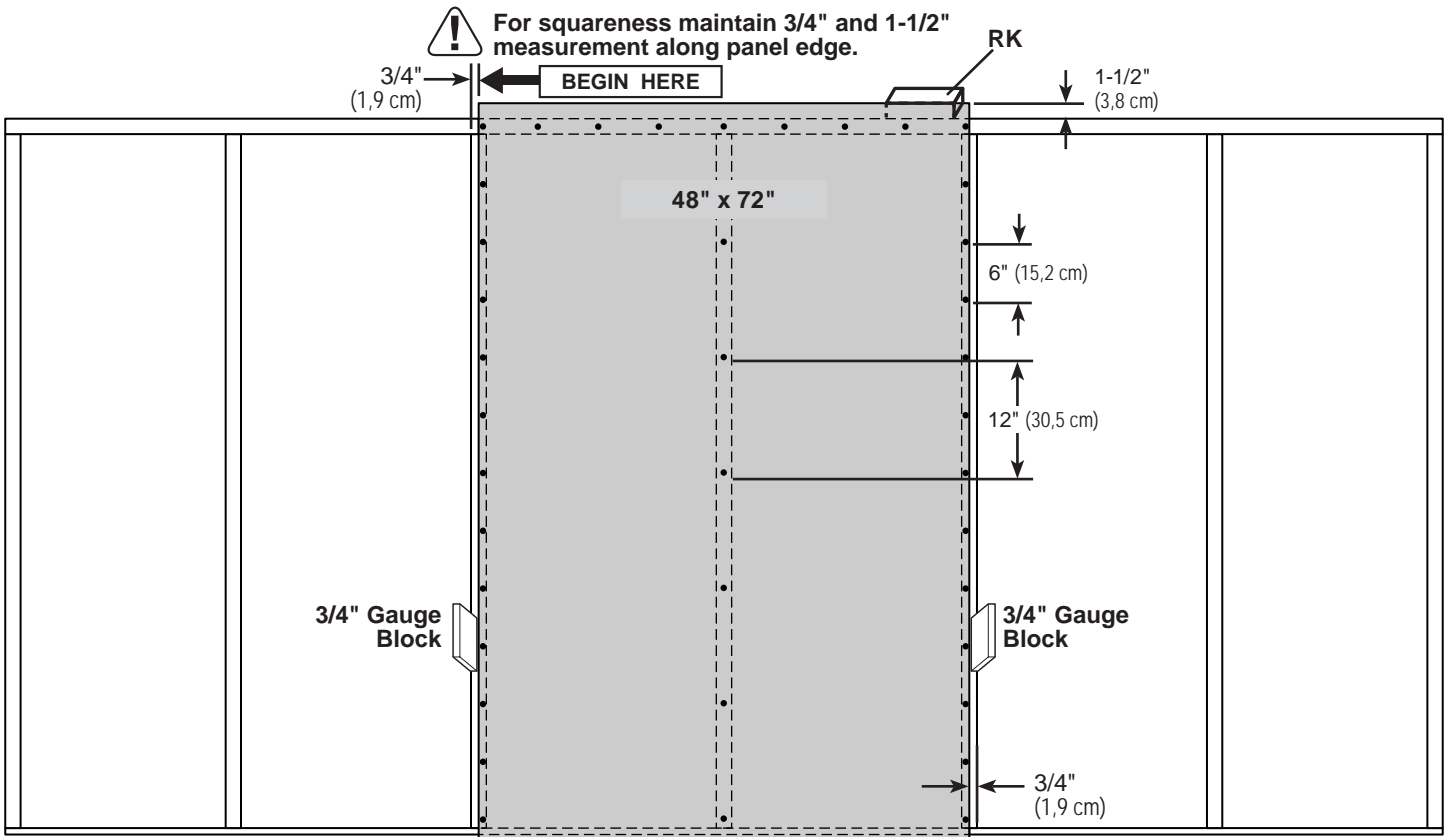
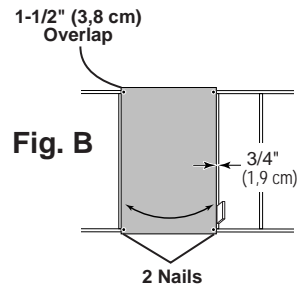
 **Ensure your wall is square by installing one panel and squaring frame.**

✓ **BEGIN**

- Place (1) 48" x 72" panel on the wall frame, as shown.
Locate the panel 1-1/2" above the top plate.
Use **RK** as a 2x3 as a gauge block for the 1-1/2" top overhang measurement.
Use the gauge block to mark the 3/4" side measurement on the wall stud.
Secure panel with (2) 2" nails in the corners (**Fig. A**).

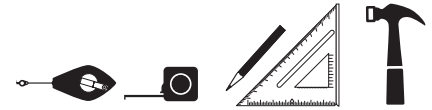
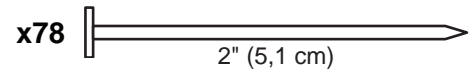
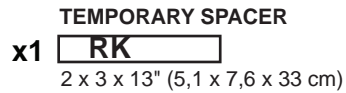
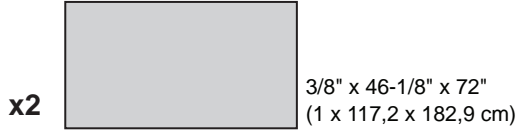


- Move to the opposite end. Using the long edge of the panel as a lever, move the panel side-to-side until you have a 3/4" measurement on the wall stud. Secure corner with (2) 2" nails (**Fig. B**).
Secure panel with 2" nails spaced 6" apart on edges and 12" apart inside panel.

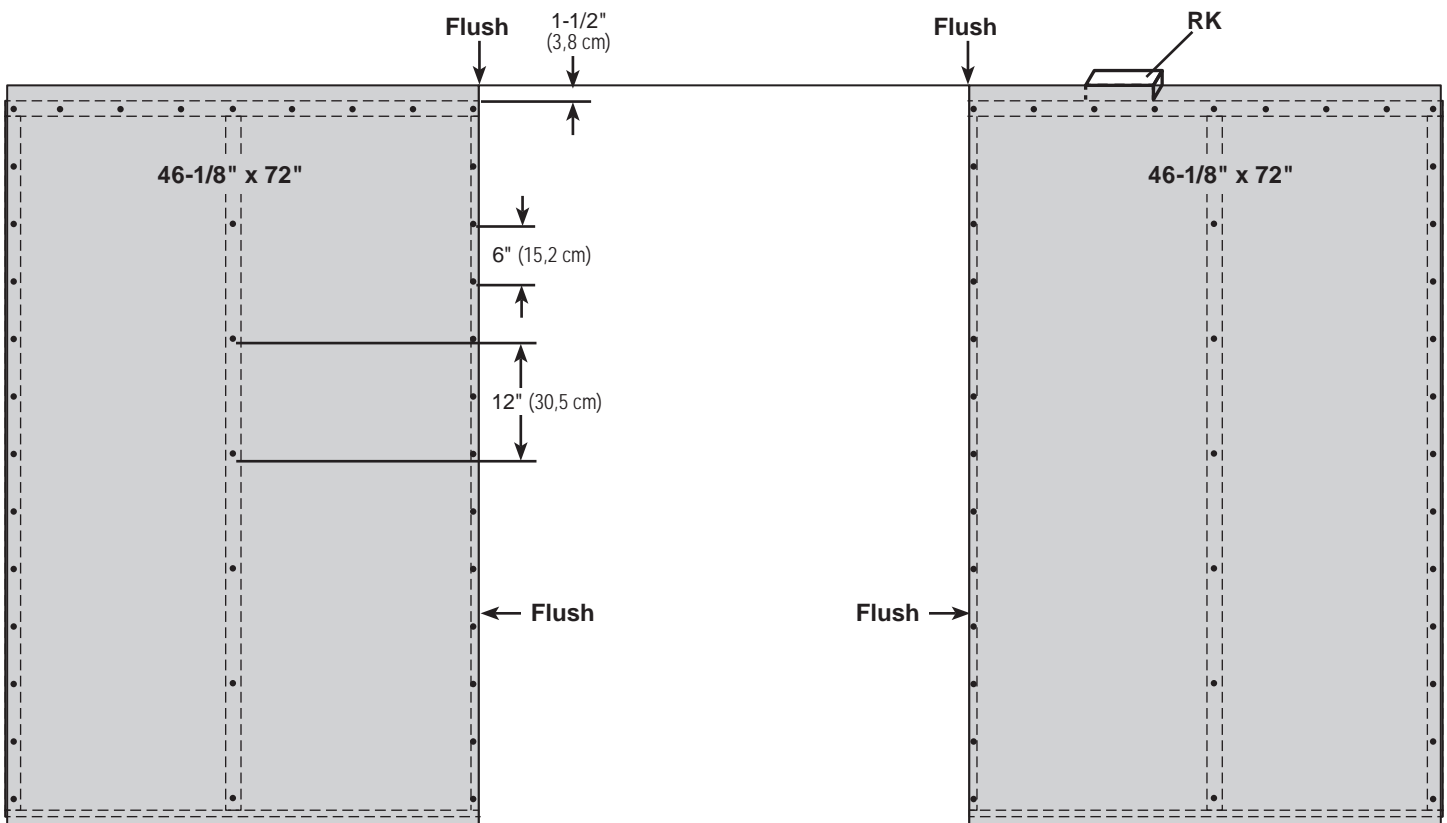
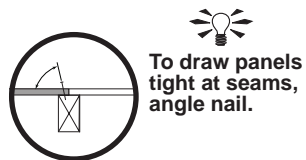


SIDE WALL PANELS

PARTS REQUIRED:



- 3** Install (2) 46-1/8 x 72" panels flush to installed panel and 1-1/2" above top plate..
Secure with 2" nails spaced 6" apart on edges and 12" apart inside panel.



Carefully flip your side wall over.

Repeat steps to assemble your second side wall.



Your (2) side walls are now finished.

BACK WALL FRAME

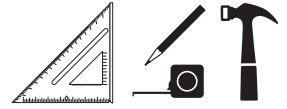
PARTS REQUIRED:

x1 **CI**
2 x 3 x 34" (5,1 x 7,6 x 86,4 cm)

x3 **GUSSET**
TEMPORARY SUPPORT

x3 3" (7,6 cm)

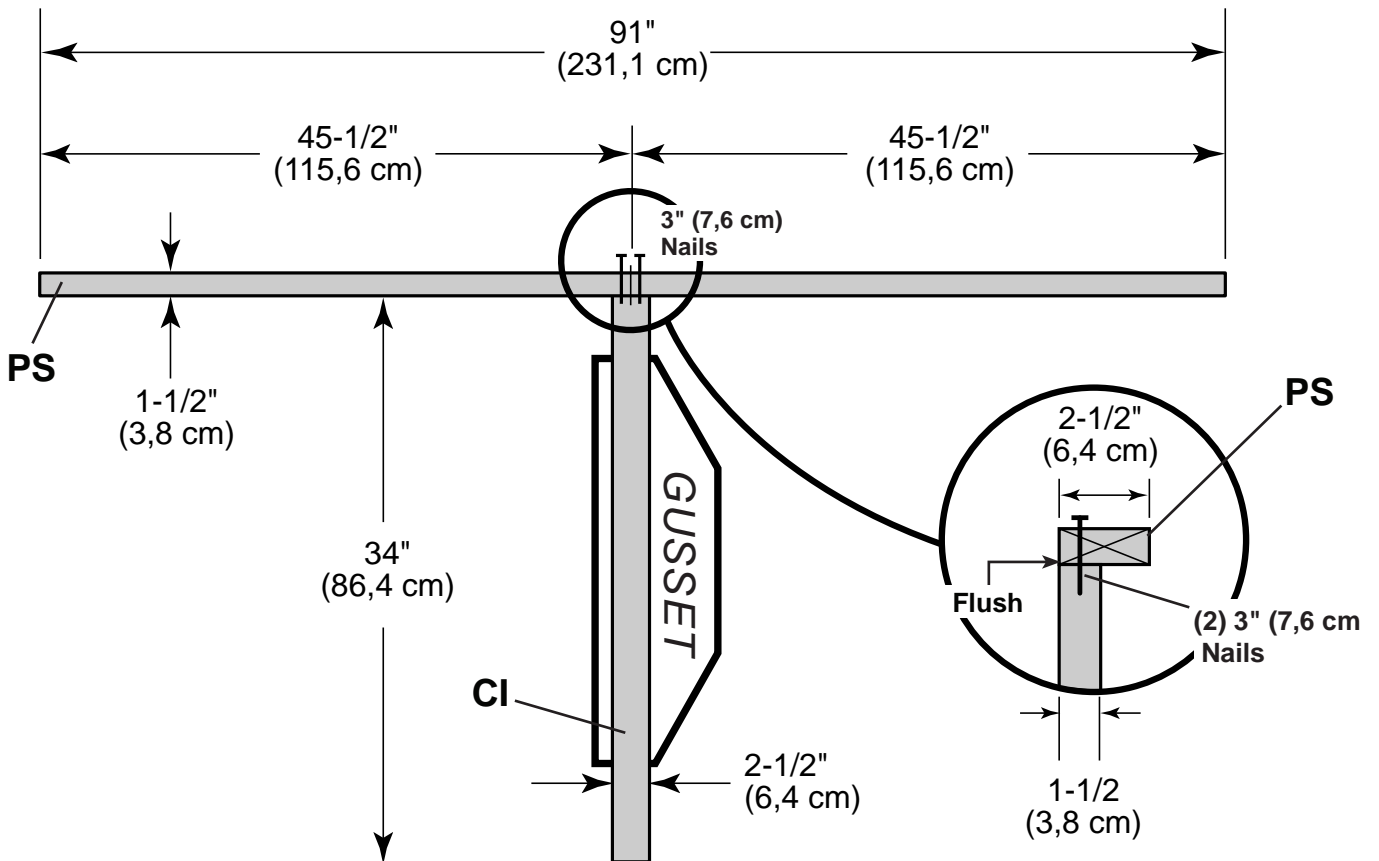
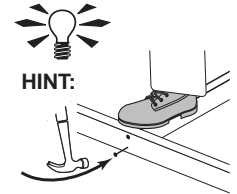
x1 **PS**
2 x 3 x 91" (5,1 x 7,6 x 231,1 cm)



✓ **BEGIN**

1 Place **CI** on flat side. Use (3) gussets stacked under **CI** as support.

2 Center **PS** on **CI** on edge on floor as shown. Secure parts with (2) 3" nails.

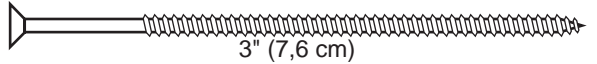


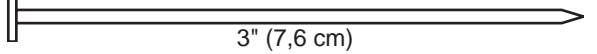
BACK WALL FRAME

PARTS REQUIRED:

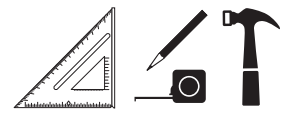
x1 **CI**
2 x 3 x 34" (5,1 x 7,6 x 86,4 cm)

x1 **PT**
2 x 3 x 96" (5,1 x 7,6 x 243,8 cm)

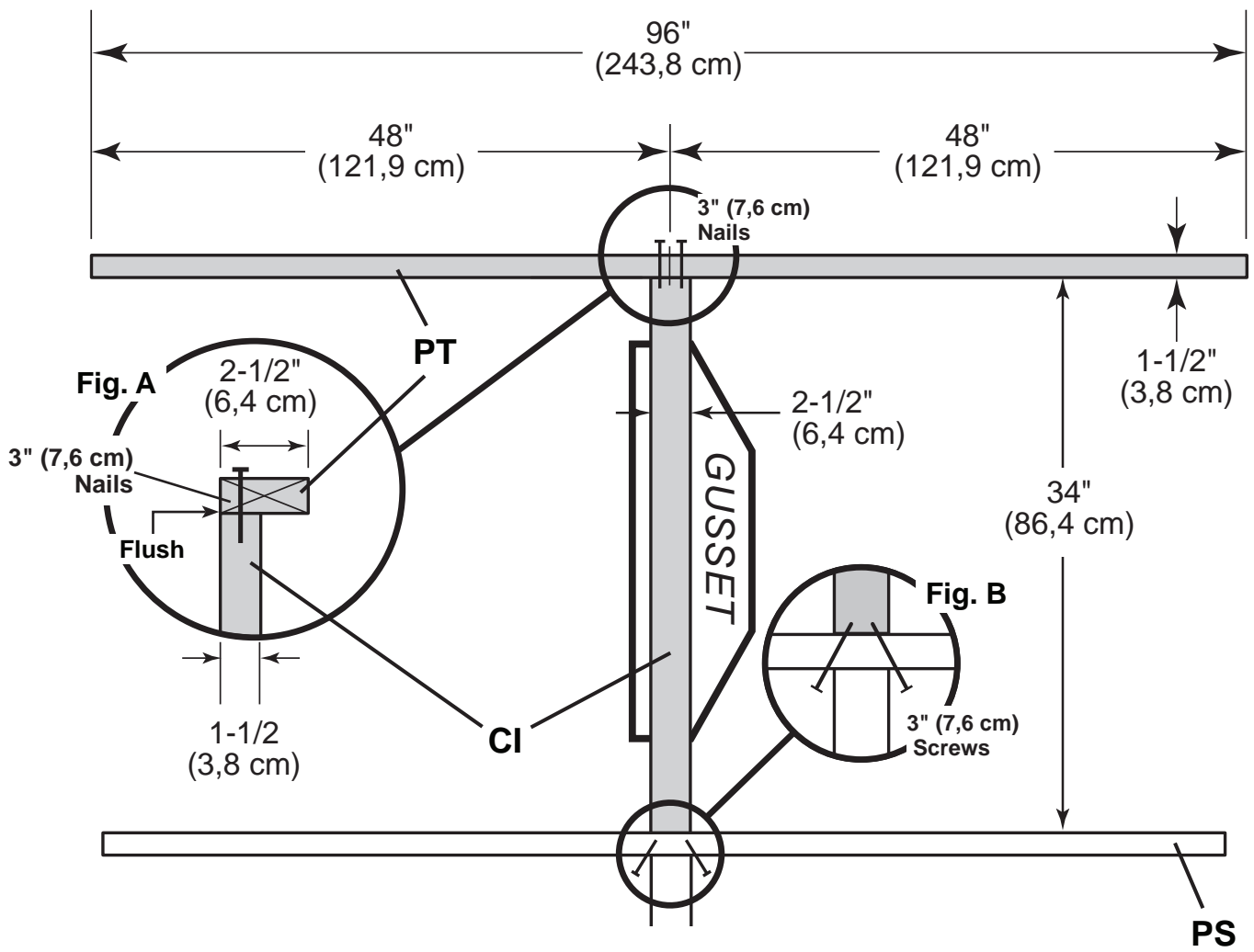
x2  3" (7,6 cm)

x2  3" (7,6 cm)

x3 **GUSSET**
TEMPORARY SUPPORT



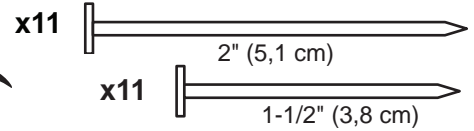
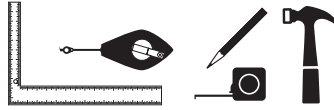
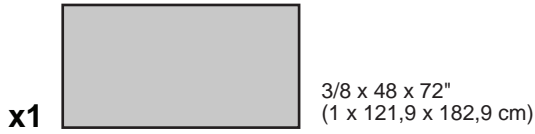
- 3 Center **CI** on **PS** on flat side. Use (3) gussets stacked under **CI** as support.
- 4 Center **PT** on **CI** on edge on floor as shown. Secure **PT** to **CI** with (2) 3" nails (**Fig. A**).
- 5 At the middle connection, connect **PS** to **CI** with (2) 3" screws angled (**Fig. B**).



Your back wall frame is now finished.

BACK WALL PANELS

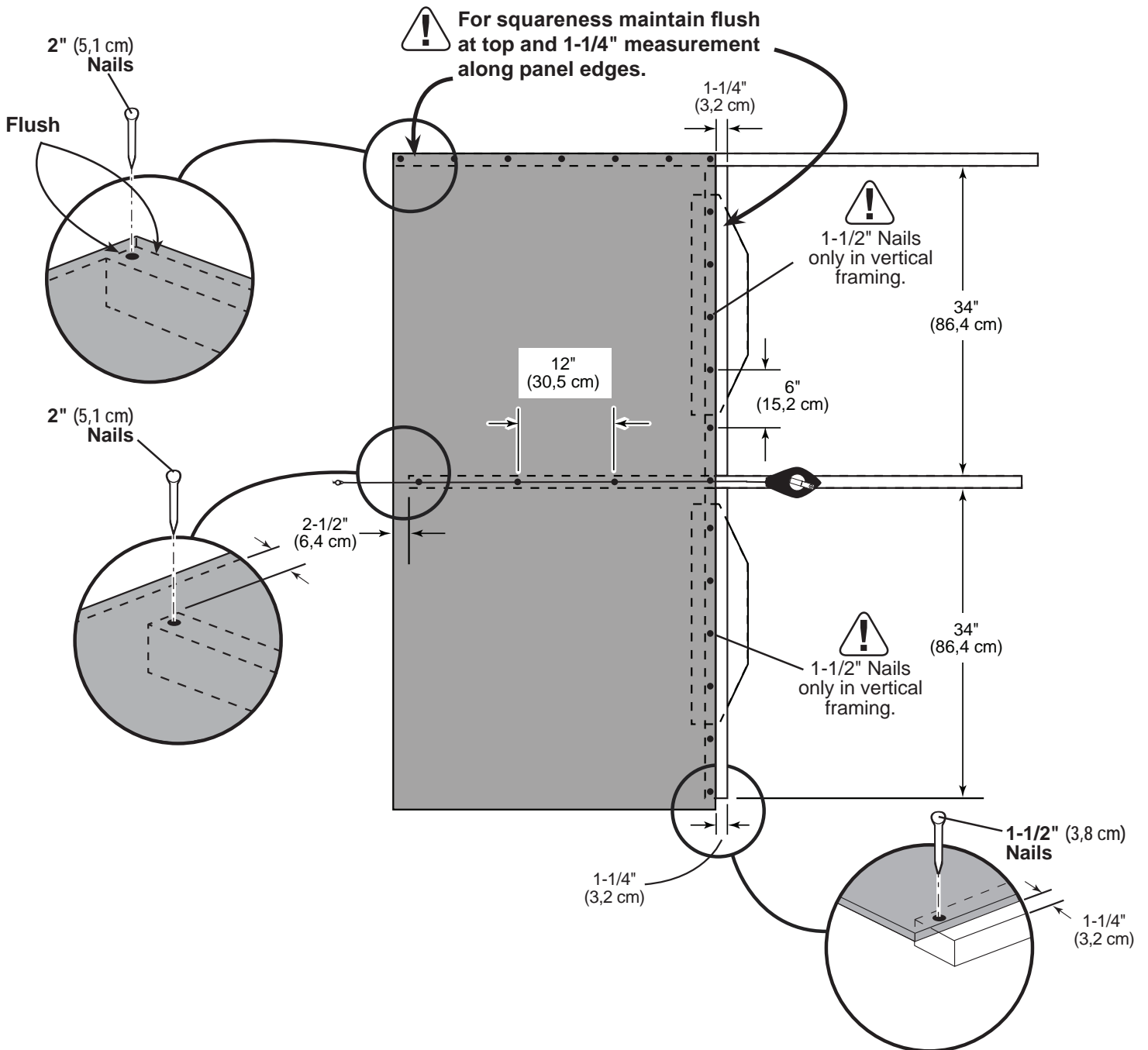
PARTS REQUIRED:



Install all wall panels with the primed side up.

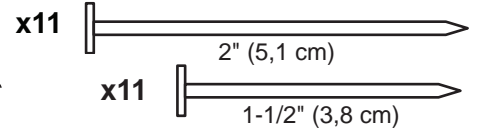
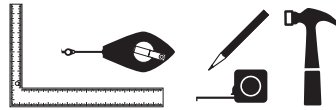
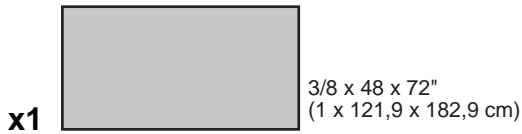
✓ BEGIN

- 1** Place left panel on back frame, as shown.
- 2** Secure horizontal framing with 2" nails spaced 6" apart on edges and 12" apart inside panel.
- 3** Secure vertical framing with 1-1/2" nails spaced 6" apart on edges.

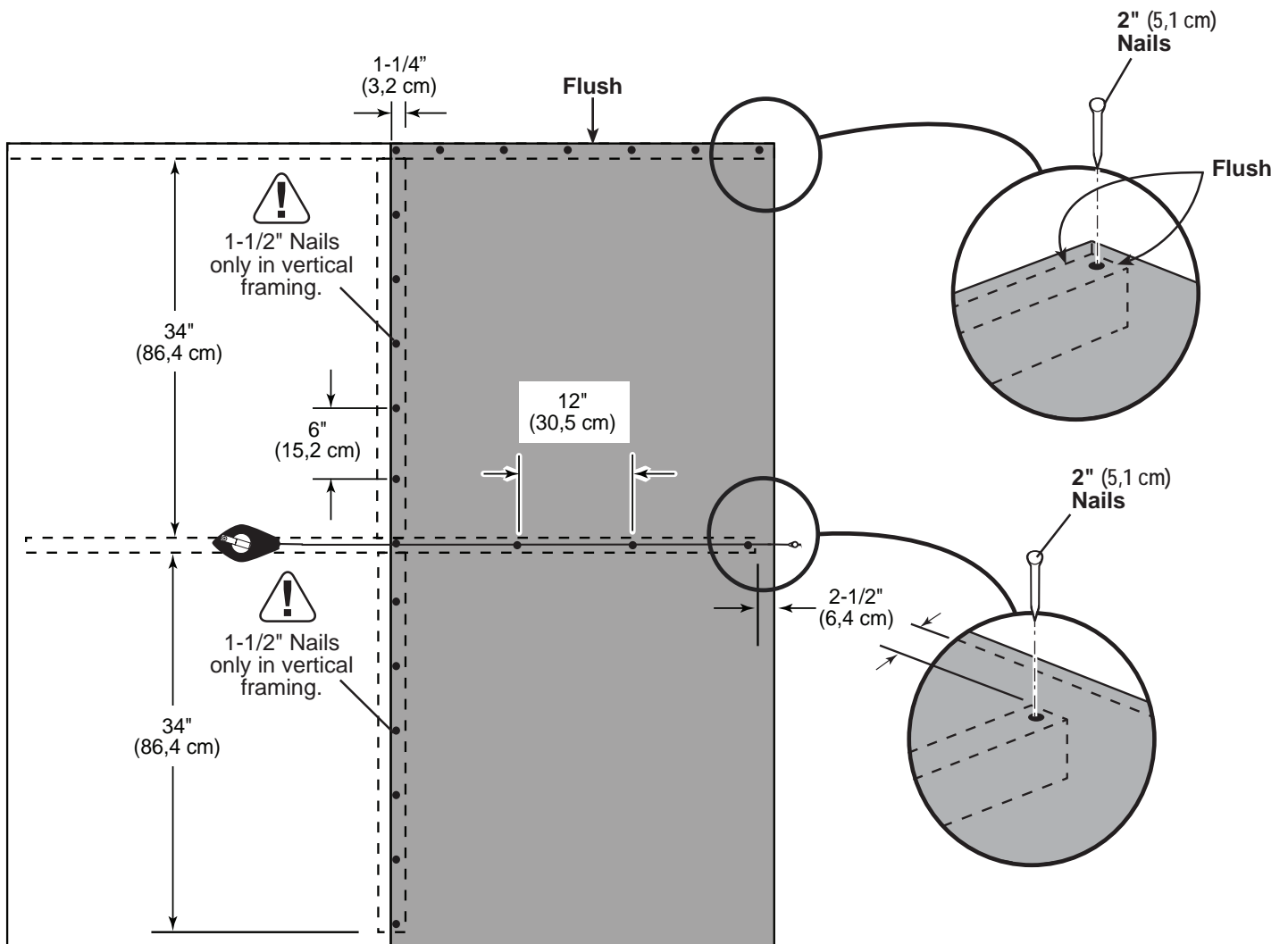


BACK WALL PANELS

PARTS REQUIRED:



- 4 Install right panel flush to installed panel and flush at top.
- 5 Secure horizontal framing with 2" nails spaced 6" apart on edges and 12" apart inside panel.
- 6 Secure vertical framing with using 1-1/2" nails spaced 6" apart on edges.

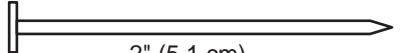


Your back wall panels are now installed.

BACK WALL BOTTOM PLATES

PARTS REQUIRED:

x2 **RK**
2 x 3 x 13" (5,1 x 7,6 x 33 cm)

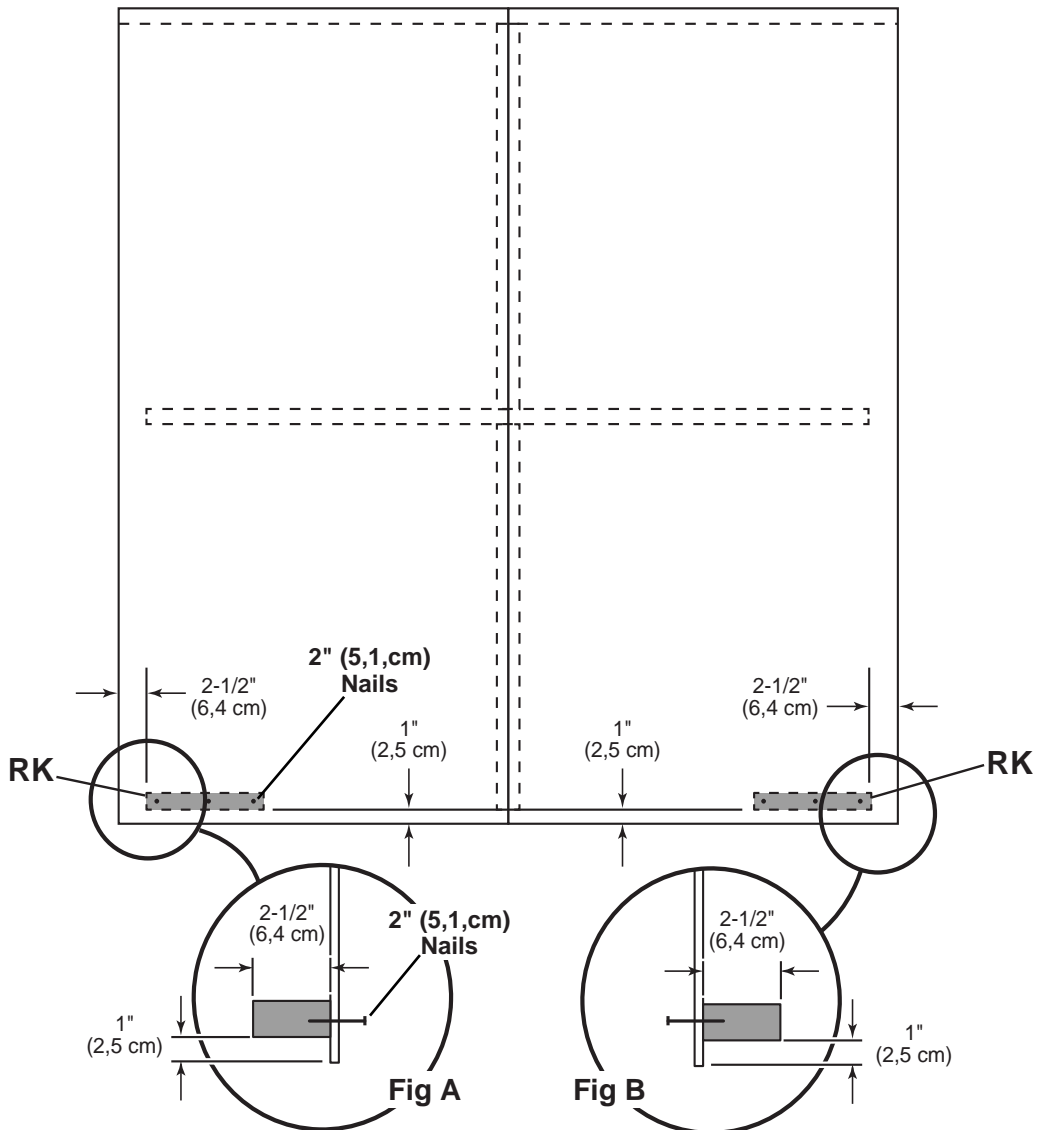
x6  2" (5,1 cm)



BEGIN

1 Position **RK** on edge, 2-1/2" from outside edge and 1" from bottom edge of left wall panel (**Fig A**).

Secure **RK** to wall panel with (3) 2" nails (**Fig B**).



FINISH

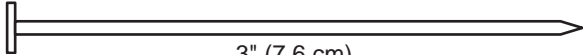
Your back wall is now complete.

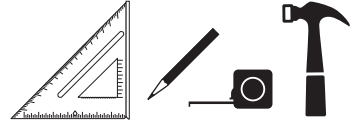
FRONT WALL FRAME

PARTS REQUIRED:

x2 **KU**
2 x 3 x 69-1/2" (5,1 x 7,6 x 176,5 cm)

x1 **PT**
2 x 3 x 96" (5,1 x 7,6 x 243,8 cm)

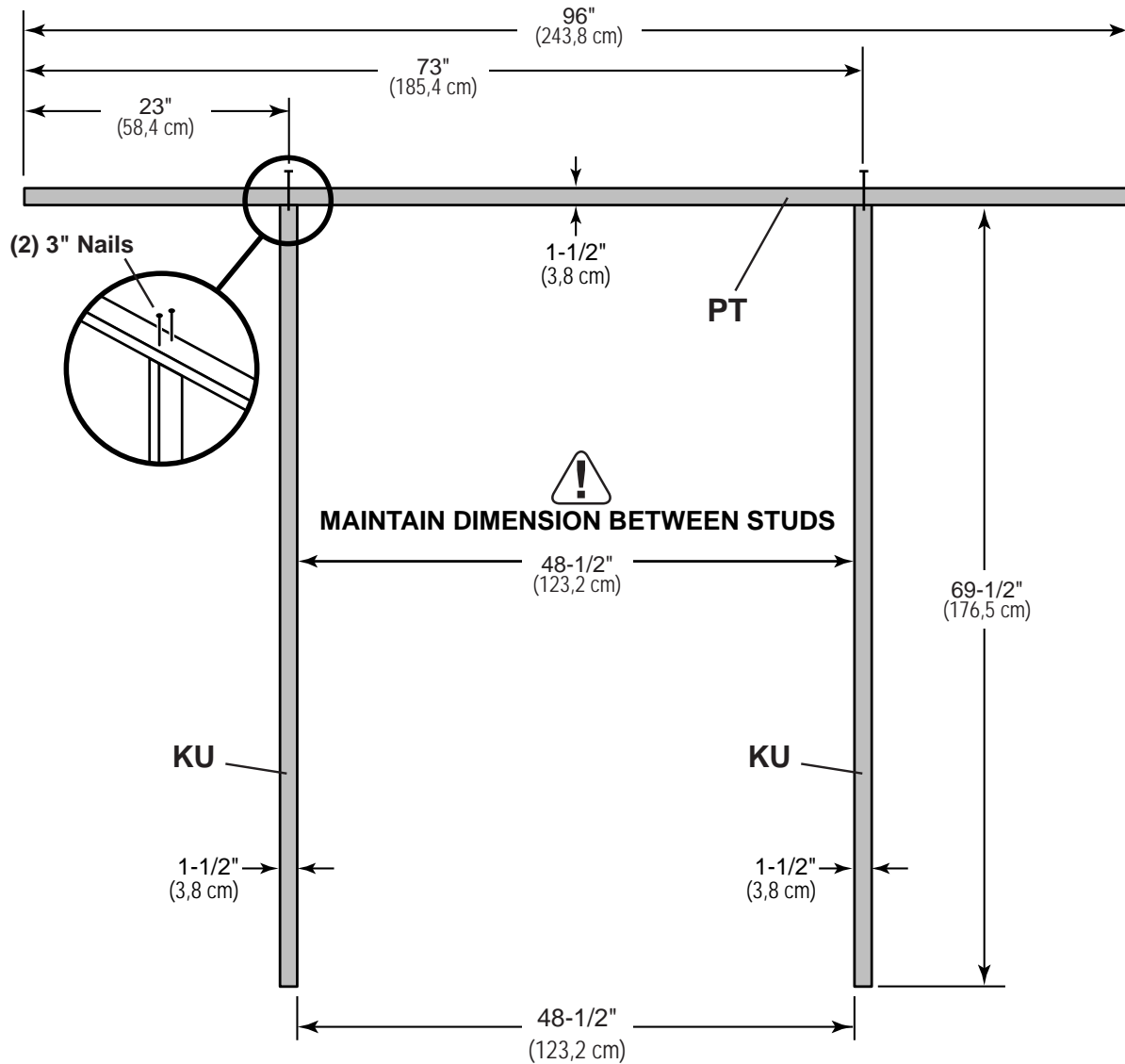
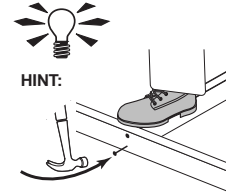
x4  3" (7,6 cm)



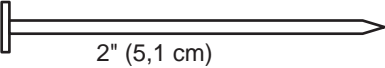
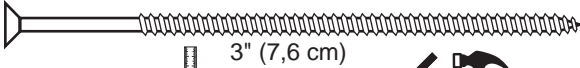

✓ BEGIN


1 Arrange parts on edge on floor as shown.

Secure with (2) 3" nails at each connection.



FRONT WALL PANELS

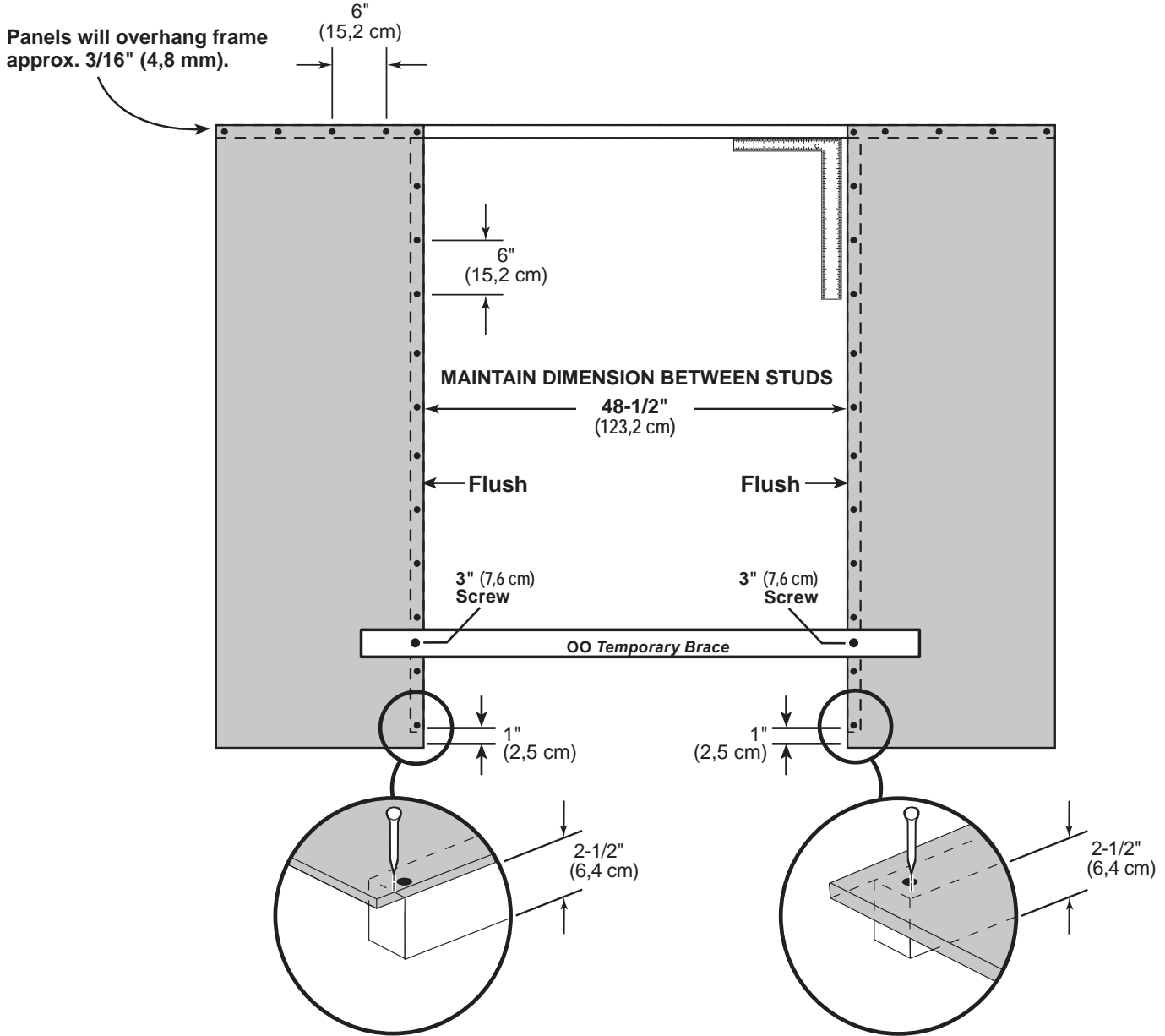
PARTS REQUIRED: x32  x2 
 x2  3/8 x 23-7/8 x 72"
 (1 x 60,6 x 182,9 cm) x1 **OO Temporary Brace** 69" (175,3) Door Stiffener



Install all wall panels with the primed side up.

BEGIN

- Place left panel on front wall frame, as shown
 Ensure panel has a 1" gap at bottom and is flush to inside edge.
 Secure with 2" nails spaced 6" apart.
Repeat steps to install right panel.



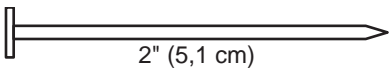
- Install part **OO** as a temporary brace.
 Secure with with (2) 3" screws.

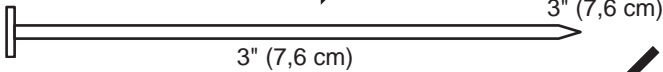


Your front wall is now complete.

SIDE WALL INSTALLATION

PARTS REQUIRED:

x27  2" (5,1 cm)

x12  3" (7,6 cm)

x1  **OO Temporary Support**
69" (175,3) Door Stiffener

x2 

3" (7,6 cm)



✓ BEGIN

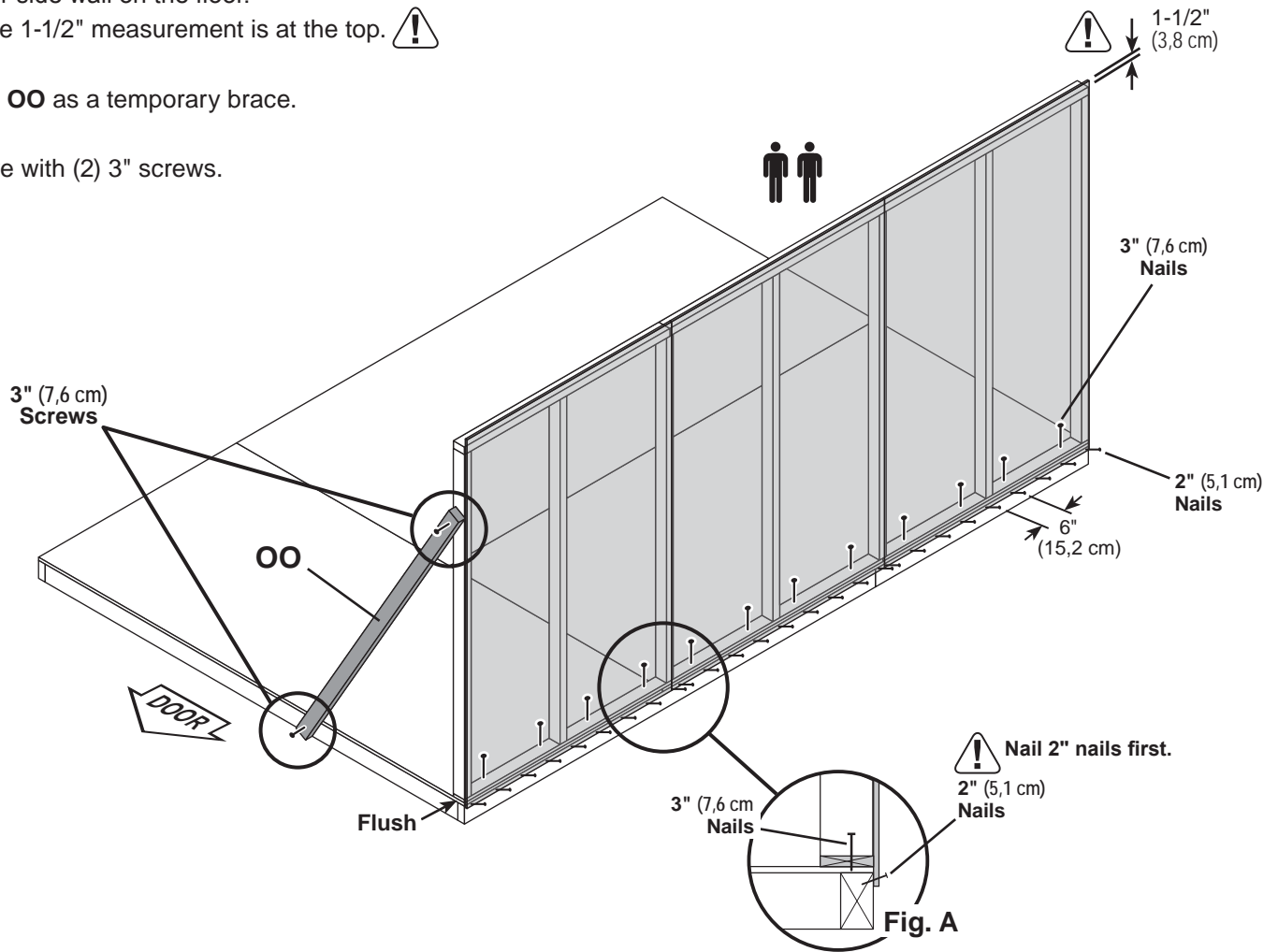
1

Center side wall on the floor.

Ensure 1-1/2" measurement is at the top. 

Install **OO** as a temporary brace.

Secure with (2) 3" screws.



2

Secure lower edge of panels to floor frame

with 2" nails spaced 6" apart.

Angle nails into the floor frame (**Fig. A**).

3

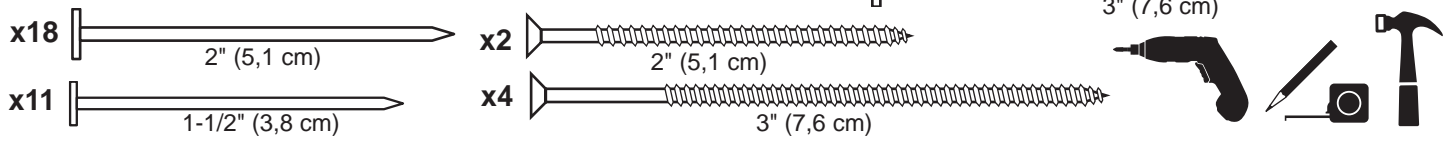
Secure wall bottom plates to floor with 3" nails (**Fig. A**).



Your right side wall is now installed

BACK WALL INSTALLATION

PARTS REQUIRED:

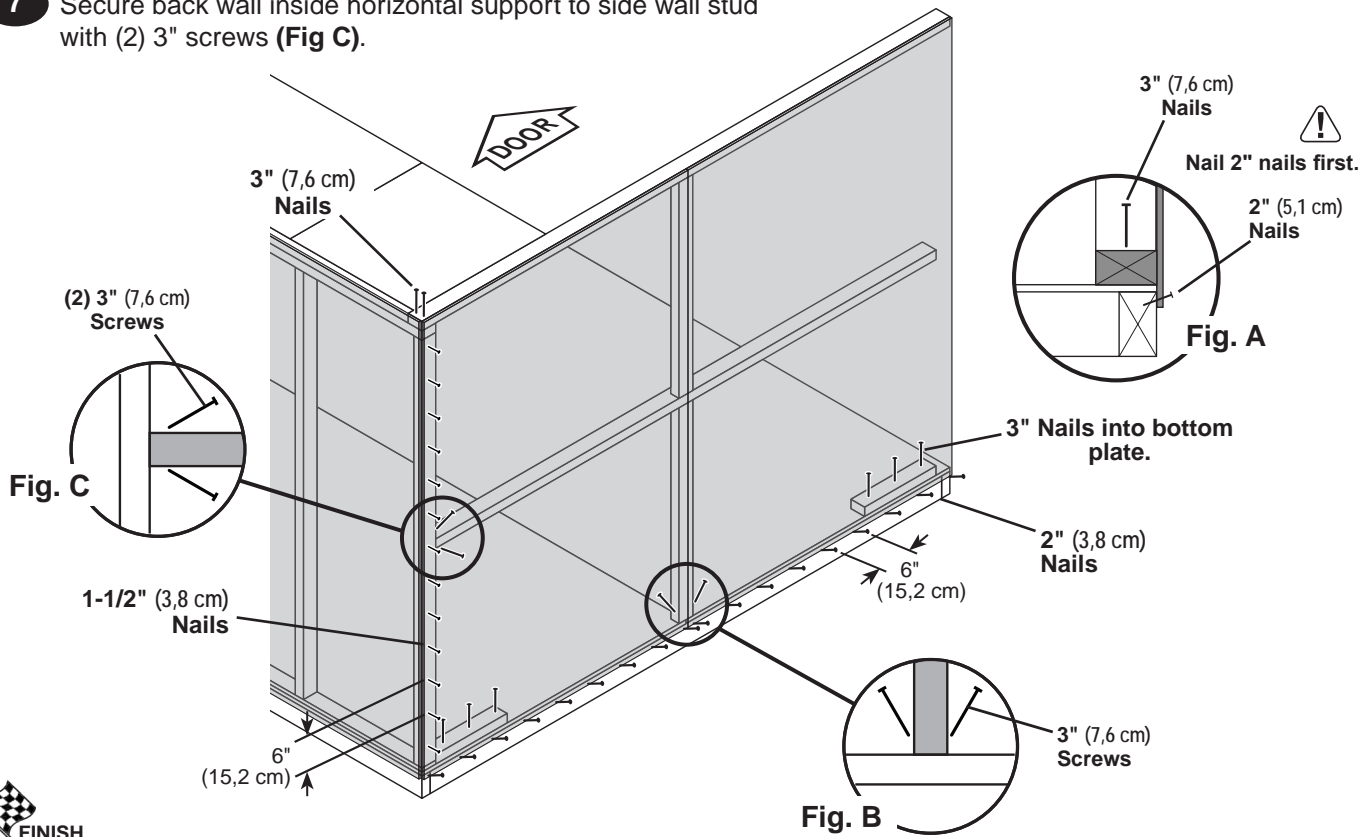
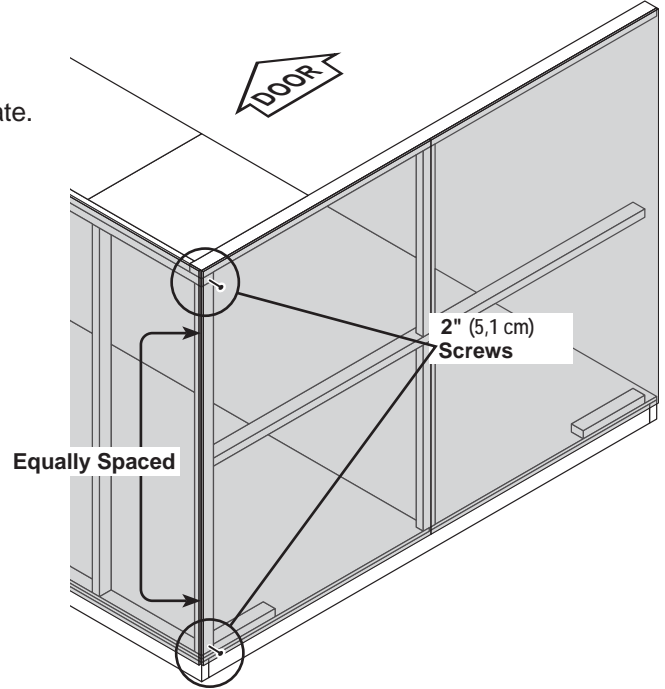


✓ BEGIN

- Center back gable wall on the floor.
 Secure wall with (1) 2" screw into side wall stud and top plate.
Secure wall to stud first.

⚠ **ENSURE SIDE AND BACK PANELS ARE EQUALLY SPACED ALONG CORNER.**

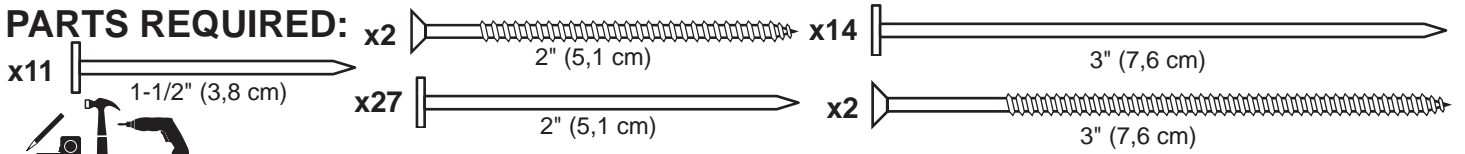
- Secure lower edge of panels to floor frame with 2" nails spaced 6" apart.
 Angle nail into floor frame (**Fig. A**).
- Secure back wall bottom plates to floor with 3" nails.
- Secure back wall center upright to floor with (2) 3" screws (**Fig. B**).
- Secure back wall top plate to side wall top plate with (2) 3" nails.
- Secure back wall panel to side wall stud with 1-1/2" nails spaced 6" apart.
- Secure back wall inside horizontal support to side wall stud with (2) 3" screws (**Fig C**).



Your back wall is now installed.

LEFT SIDE WALL INSTALLATION

PARTS REQUIRED:

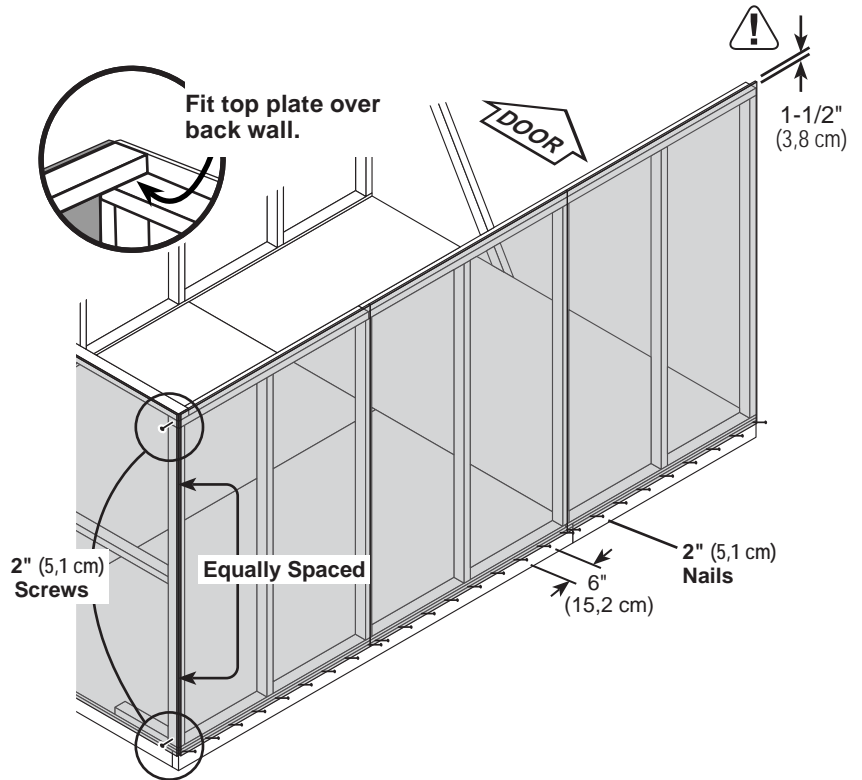
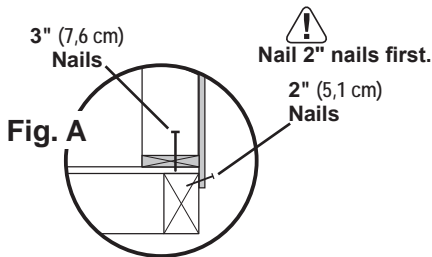


✓ BEGIN

- 1 Install left side wall on the floor.
 Ensure 1-1/2" measurement is at the top.
 (Push top plate over back wall top plate.
 Flush both top plates at corner.)
 Secure back wall to side wall with (1) 2"
 screw into side wall stud and top plate.
Secure back wall to stud first.

⚠ ENSURE SIDE AND BACK PANELS ARE EQUALLY SPACED ALONG CORNER.

- 2 Secure lower edge of panels to floor frame with 2" nails spaced 6" apart.
 Angle nail into floor frame (**Fig. A**).

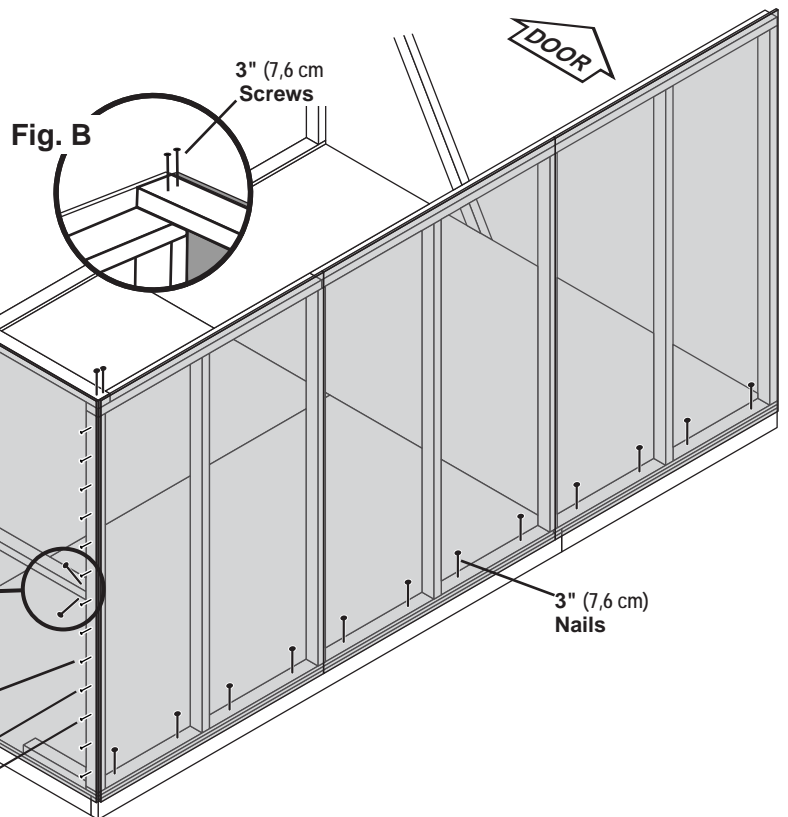
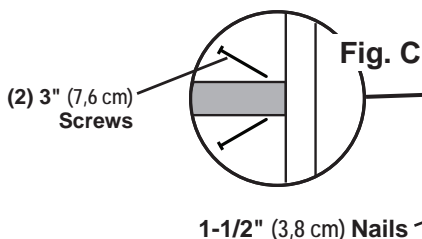


- 3 Secure side wall bottom plate to floor with 3" nails (**Fig. A**).

- 4 Secure back wall top plate to side wall with (2) 3" nails (**Fig. B**).

- 5 Secure back wall panel to side wall stud with 1-1/2" nails spaced 6" apart.

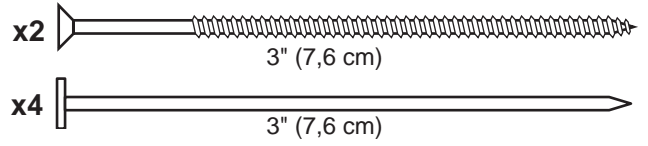
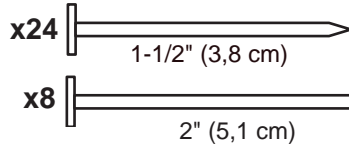
- 6 Secure back wall inside horizontal support to side wall stud with (2) 3" screws (**Fig C**).



Your left side wall is now installed.

FRONT WALL INSTALLATION

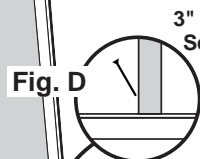
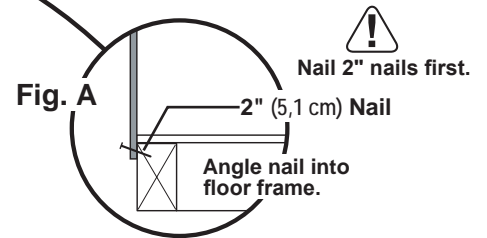
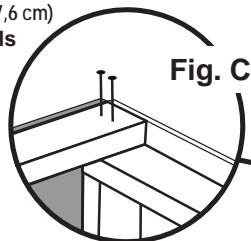
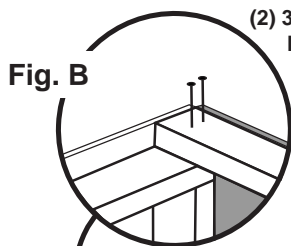
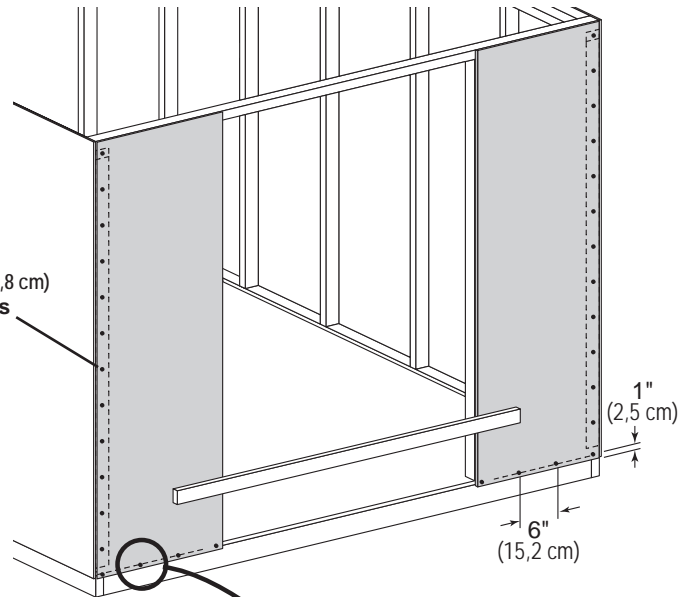
PARTS REQUIRED:



✓ BEGIN

- 1 Center front wall assembly on the floor.
- 2 Secure lower edge of panel to floor frame with 2" nails spaced 6" apart. Angle nail into floor frame (**Fig. A**).
- 3 Secure front wall to side walls with 1-1/2" nails spaced 6" apart.
- 4 Secure front wall top plate to side walls with (2) 3" nails (**Fig. B, Fig. C**).
- 5 Secure bottom of front wall door studs to floor with 3" screws, as shown. Angle screws into floor (**Fig. D, Fig. E**).

Remove temporary brace.



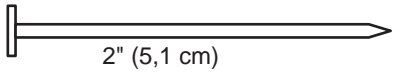
Your walls are now installed.

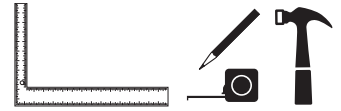
FRONT WALL HEADER

PARTS REQUIRED:

x1 **DS**
1 x 3 x 55" (2,5 x 7,6 x 137,2 cm)

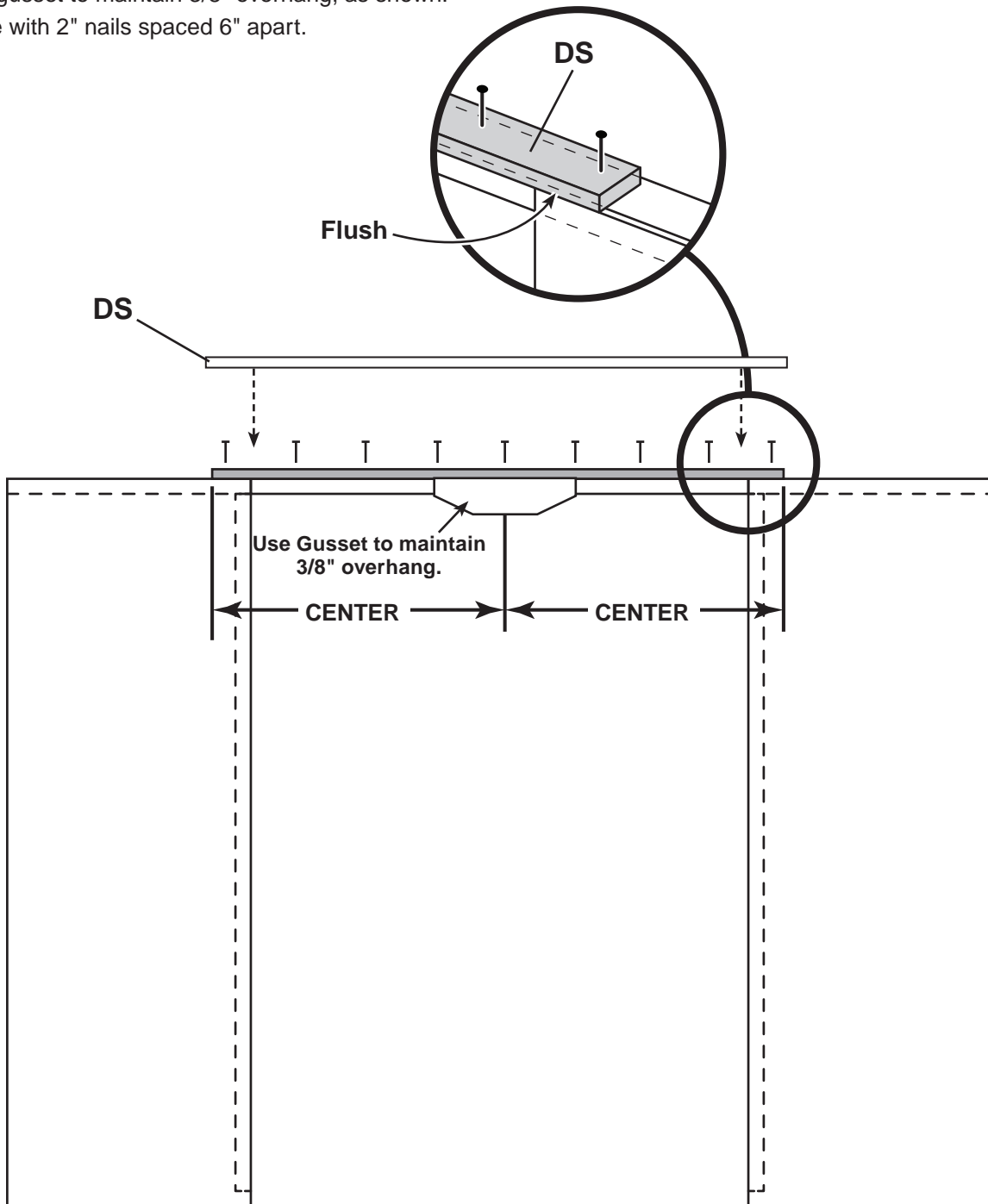
x1 **GUSSET**
TEMPORARY SPACER

x9 
2" (5,1 cm)



✓ **BEGIN**

- 1 Center **DS** on **PT** on flat, flush to front wall panel.
Use a gusset to maintain 3/8" overhang, as shown.
Secure with 2" nails spaced 6" apart.



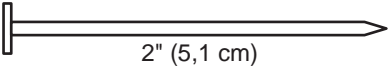
RAFTERS

PARTS REQUIRED:

x10  6 x 24" (15,2 x 61 cm)

x10 **CM**
2 x 4 x 54" (5,1 x 10,2 x 137,2 cm)

x1 **OO Temporary Support**
69" (175,3) Door Stiffener

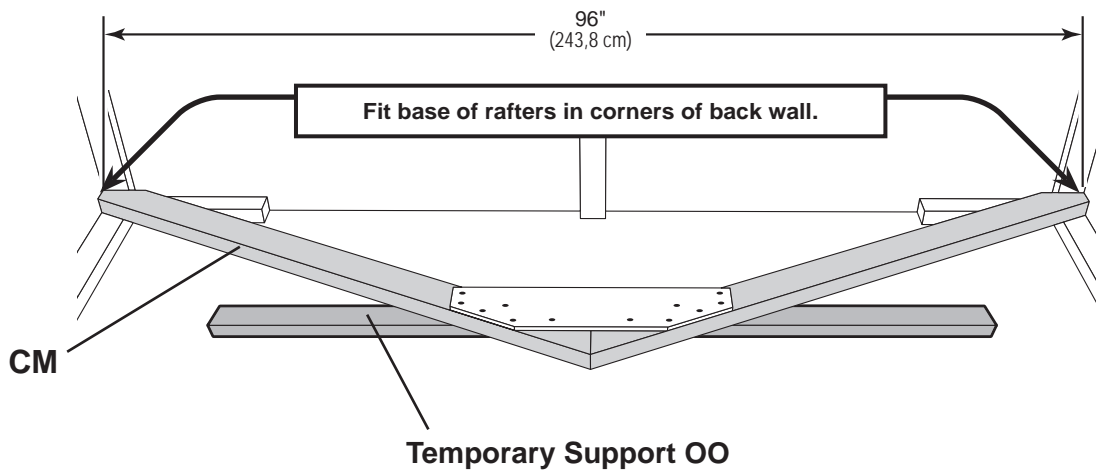
x120  2" (5,1 cm)



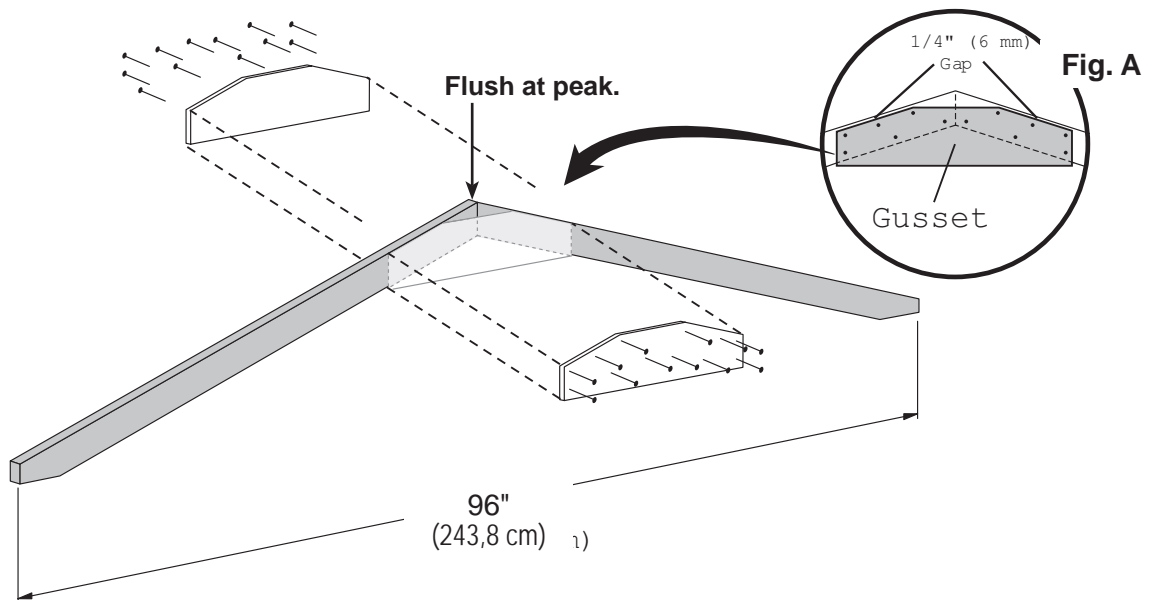
✓ BEGIN

1 Place (2) rafter halves **CM** in corners of back wall. You will assemble (5) rafters.

Secure gusset to rafter with 2" nails. Stagger the nailing pattern (**Fig. A**).



2 Flip over rafter assembly and nail gusset to back side.



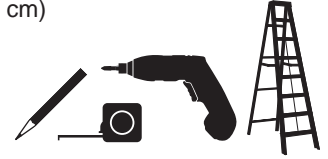
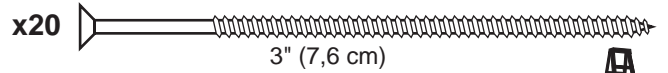
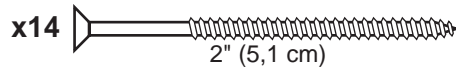
Repeat steps to build (4) more rafters.




You have assembled (5) rafters.

RAFTERS

PARTS REQUIRED:



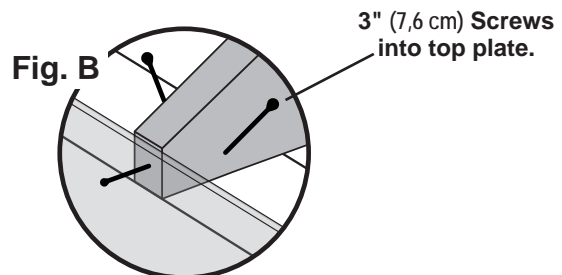
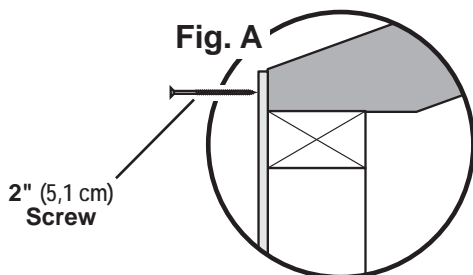
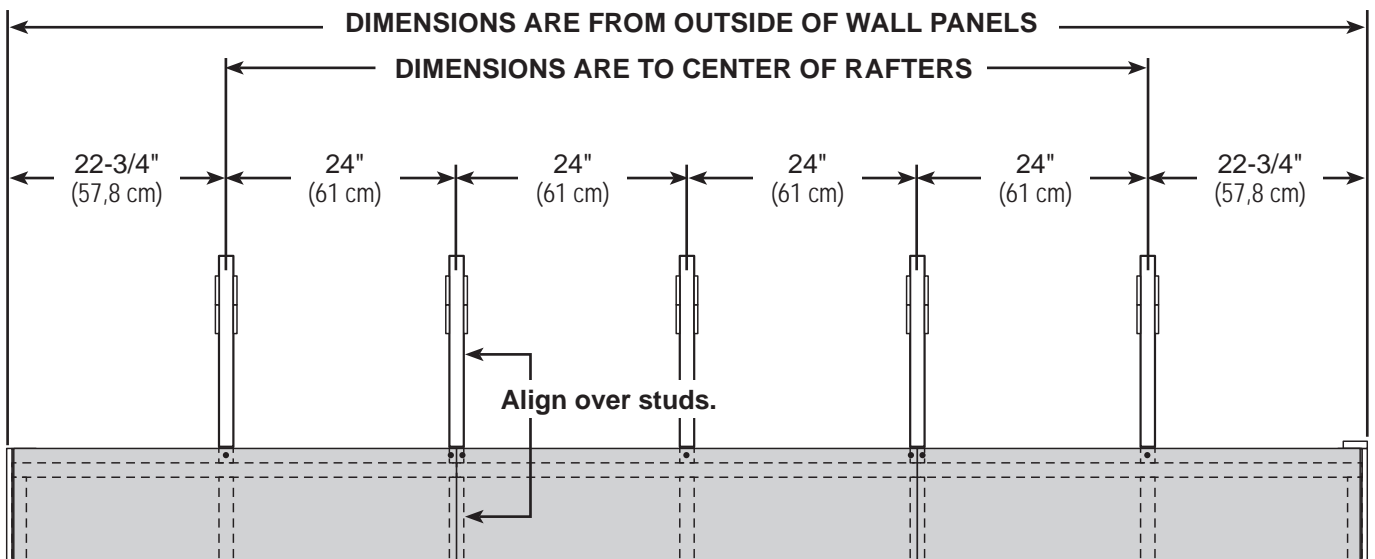
✓ BEGIN

1 Align rafters with the wall studs. Ensure the measurement between rafters, as shown. 

2 Secure with with (1) 2" screw through panel into end of rafter (**Fig. A**).
NOTE: use (2) screws at siding seams.

3 Secure rafters with (2) 3" screws angled into top plate (**Fig. B**).

 **Maintain the measurements between rafters.**

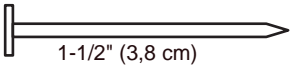


Your rafters are now installed.

BACK GABLE UNIT

PARTS REQUIRED:

x1 **BV**
2 x 3 x 17-1/2" (5,1 x 7,6 x 44,5 cm)

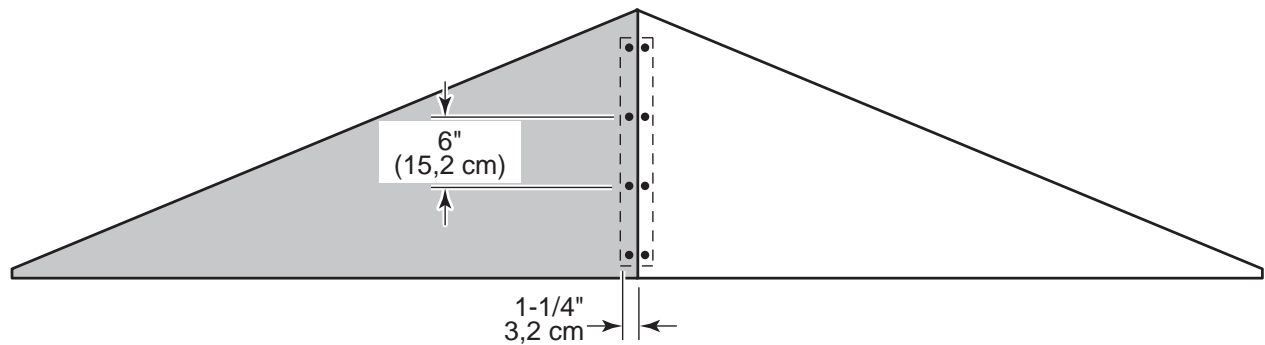
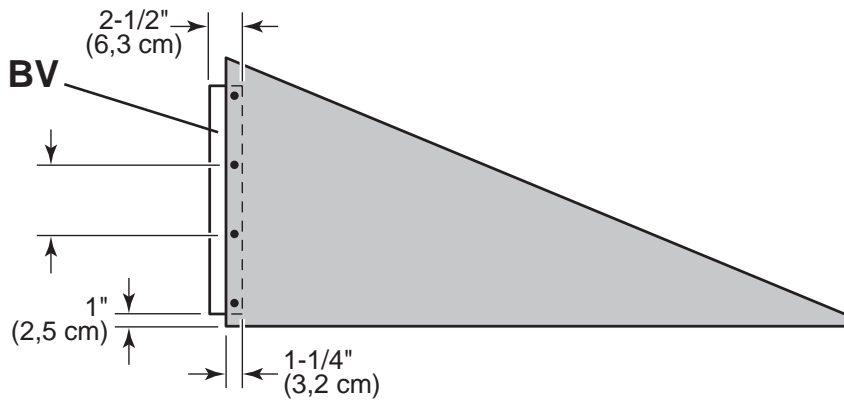
x8  1-1/2" (3,8 cm)



Install gable panels with the primed side up.

✓ BEGIN

- 1 Place **BV** on flat on floor.
- 2 Place **right** gable panel centered on **BV** with a 1" overhang on bottom. Secure with (4) 1-1/2" nails.



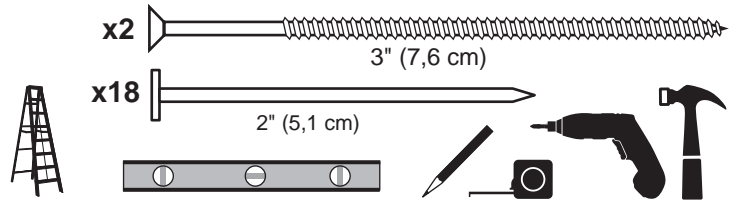
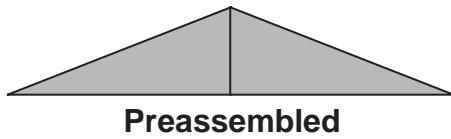
- 3 Place **left** gable panel flush to right panel on **BV** with a 1" overhang on bottom. Secure with (4) 1-1/2" nails.



Your back gable unit is now assembled.

BACK GABLE UNIT INSTALLATION

PARTS REQUIRED:



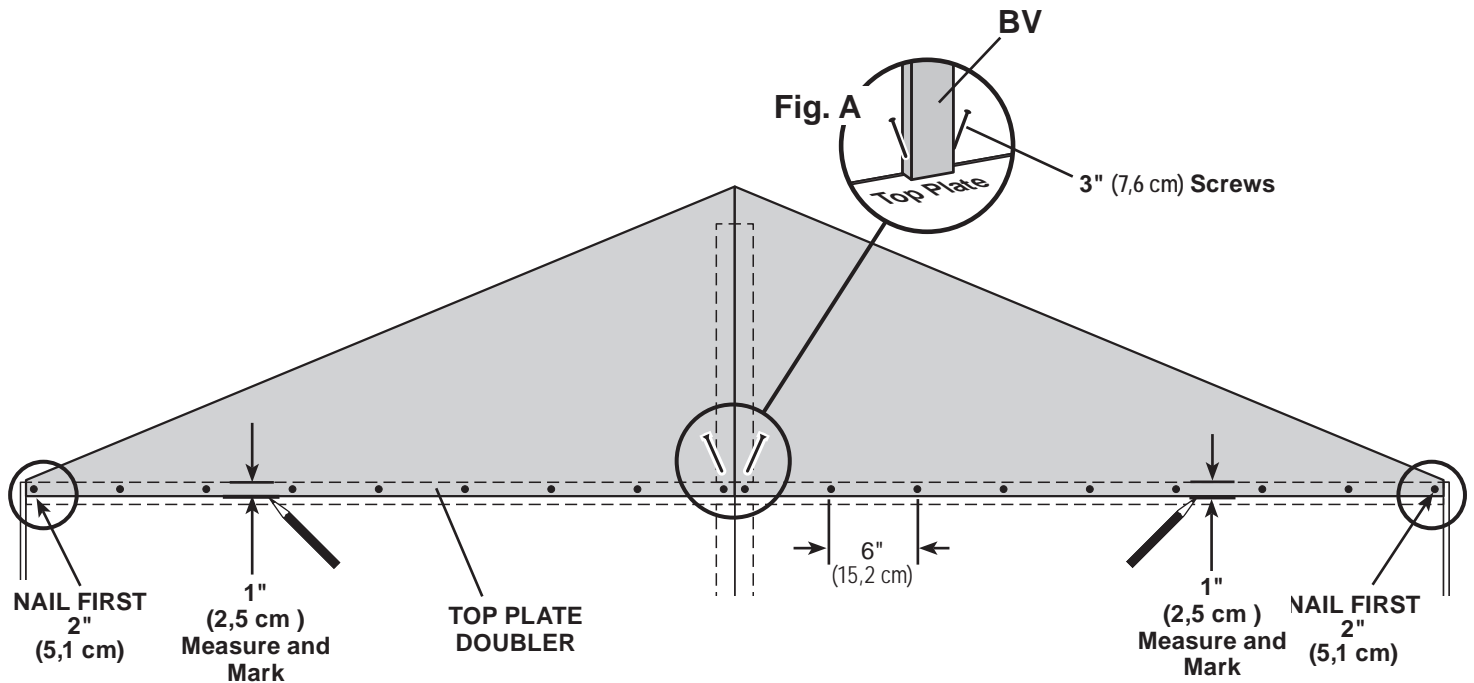
BEGIN



- 1 Lift and set back gable unit on back wall top plate, overlapping wall panels.
Working inside, secure gable unit with (2) 3" screws into **BV**, angled into top plate (**Fig. A**).

ENSURE GABLE IS CENTERED ON WALL BEFORE NAILING.

- 2 Measure 1" (2,5 cm) down from top plate and mark at each side, as shown.
Hold secure with (1) 2" nail on each side.



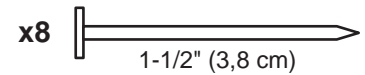
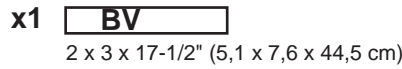
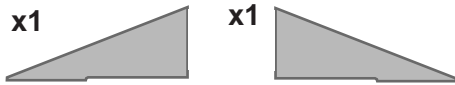
- 3 Continue nailing lower edge of panels to top plate doublers with 1-1/2" nails spaced 6" apart.



Your back gable unit is now installed.

FRONT GABLE UNIT

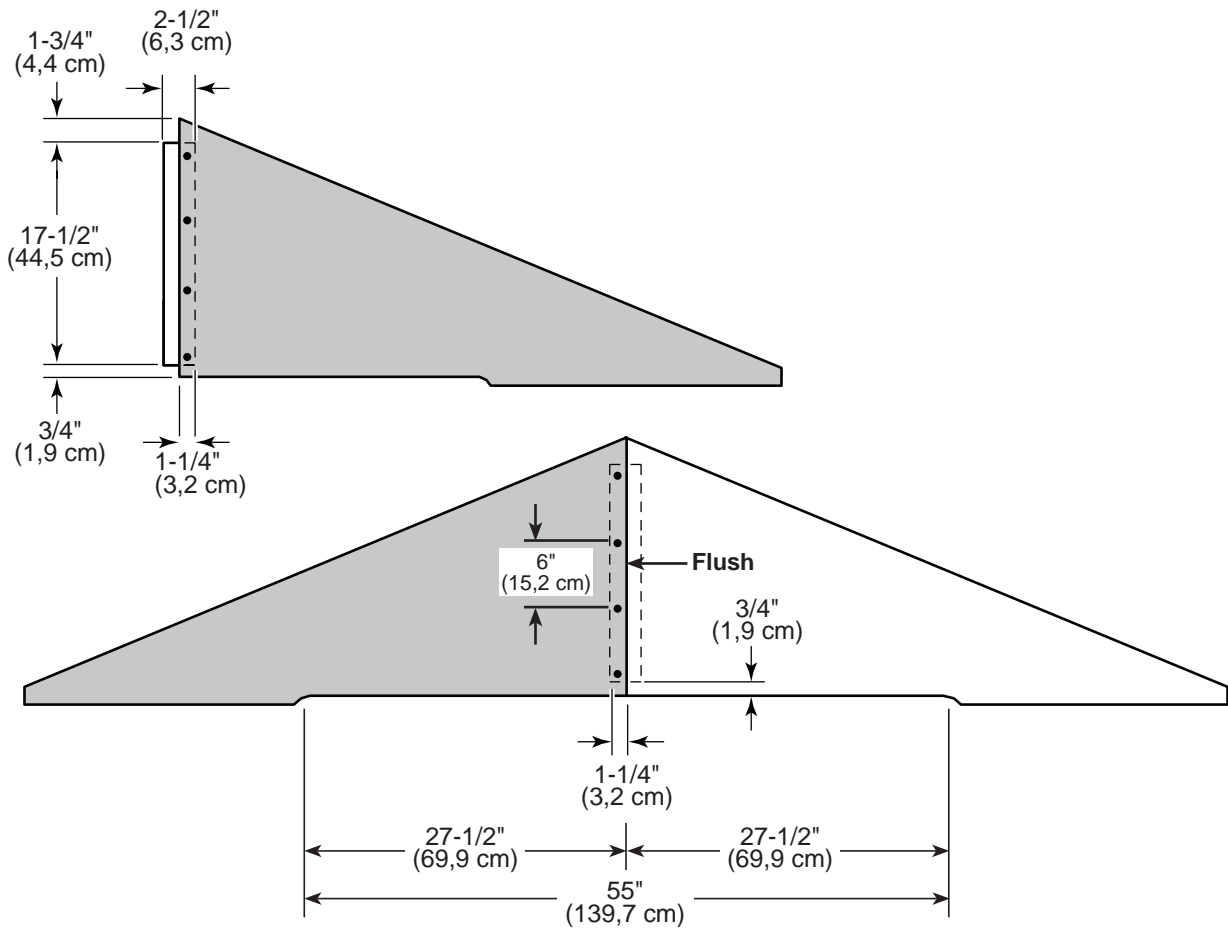
PARTS REQUIRED:



Install gable panels with the primed side up.

✓ BEGIN

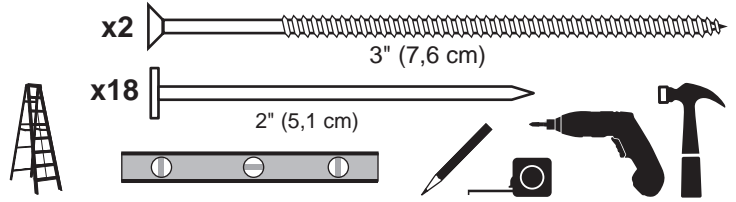
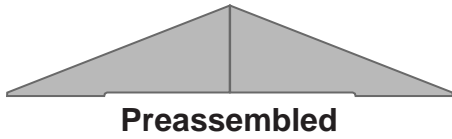
- 1 Place **BV** on flat on floor as shown.
- 2 Place **right** gable panel centered on **BV** with a 3/4" overhang on bottom and 1-3/4" overhang on top. Secure with (4) 2" nails.
- 3 Place left gable panel flush to right panel on **BV** with a 3/4" overhang on bottom. Secure with (4) 1-3/4" Nails.



Your front gable unit is now assembled.

FRONT GABLE UNIT INSTALLATION

PARTS REQUIRED:



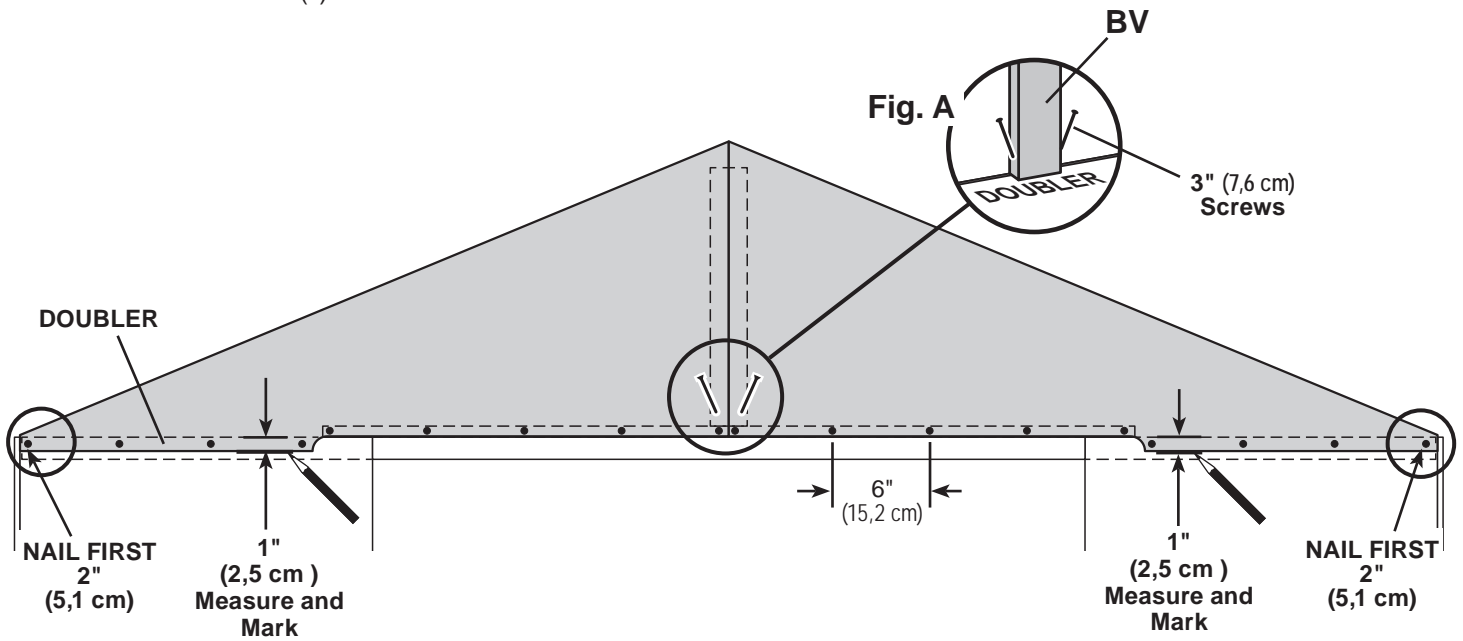
✓ BEGIN



- 1 Lift and set back gable unit on back wall top plate, overlapping wall panels.
Working inside, secure gable unit with (2) 3" screws into **BV**, angled into top plate (**Fig. A**).

⚠ **ENSURE GABLE IS CENTERED ON WALL BEFORE NAILING.**

- 2 Measure 1" (2,5 cm) down from top plate and mark at each side, as shown.
Hold secure with (1) 2" nail on each side.




- 3 Continue nailing lower edge of panels to top plate doublers with 1-1/2" nails spaced 6" apart.





Your front gable unit is now installed.

TRIM

PARTS REQUIRED:

x4 
3/8 x 1-3/4 x 71" (1 x 4,4 x 180,3 cm)

x4 
3/8 x 1-3/4 x 72" (1 x 4,4 x 182,9 cm)

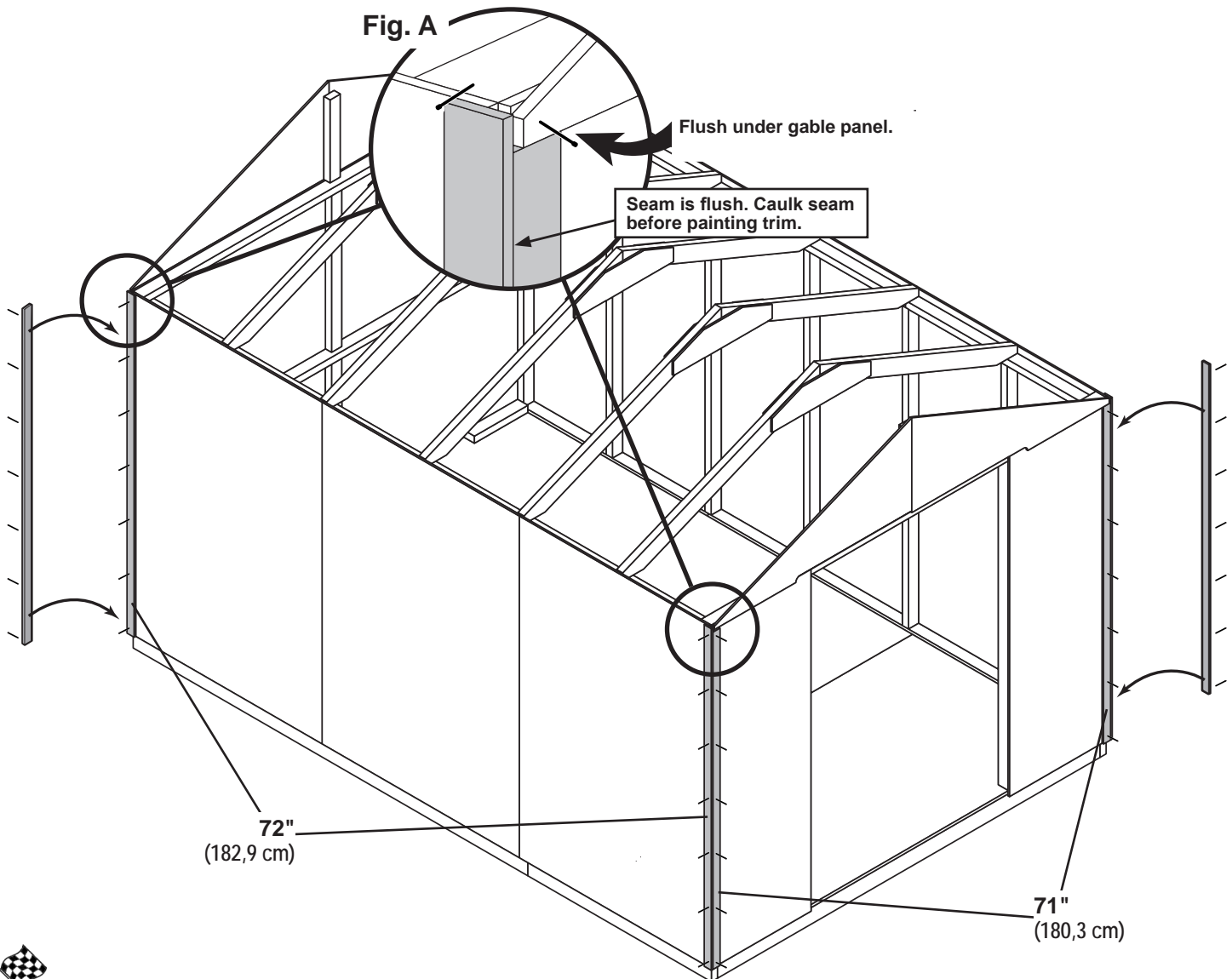
x56  2" (5,1 cm)



✓ BEGIN

- 1 Install 71" trim flush under gable panel (**Fig. A**).
Secure with (1) 2" nail.
- 2 Install 72" trim flush to top of side wall panel and flush to edge of 71" trim (**Fig. A**).
Secure with (1) 2" nail.
- 3 Secure trim flush to corners with 2" finish nails evenly spaced, as shown.

Repeat steps to install trim to all (4) corners.

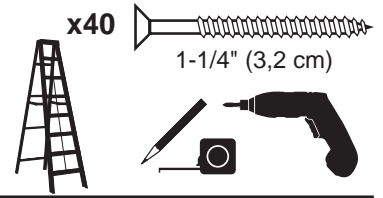


Your corner trim is now installed.

GABLE TRIM

PARTS REQUIRED:

x4 **CL**
2 x 4 x 53-11/16" (5,1 x 10,2 x 136,4 cm)

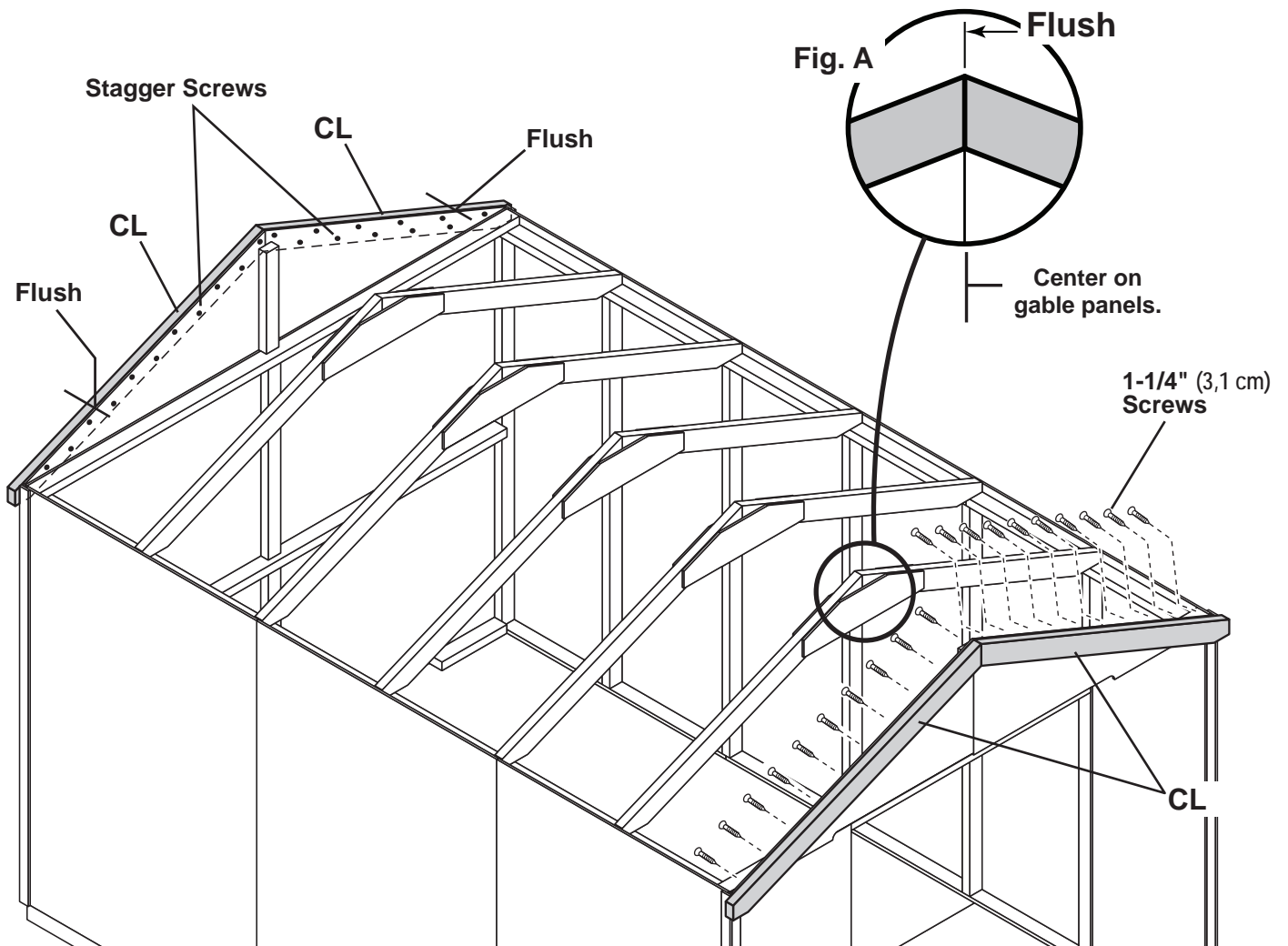


✓ BEGIN

1 Position one **CL** flush to front panel edge and center on right edge of groove (**Fig. A**). Secure trim with (10) 1-1/4" screws from inside.

2 Position second **CL** flush to panel edge and flush to installed **CL** (**Fig. A**). Secure trim with (10) 1-1/4" screws from inside.

Repeat steps to install the back trim.



Your gable trim is now installed.

ROOF PANELS

PARTS REQUIRED:



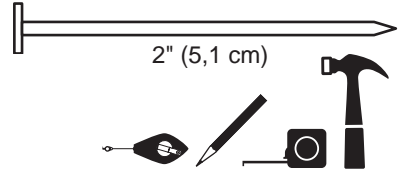
x1



48 x 96"
(121,9 x 243,8 cm)



x6



Roof panels may cause serious injury until securely fastened.
Install all roof panels with the rough side facing up (painted grid lines side).



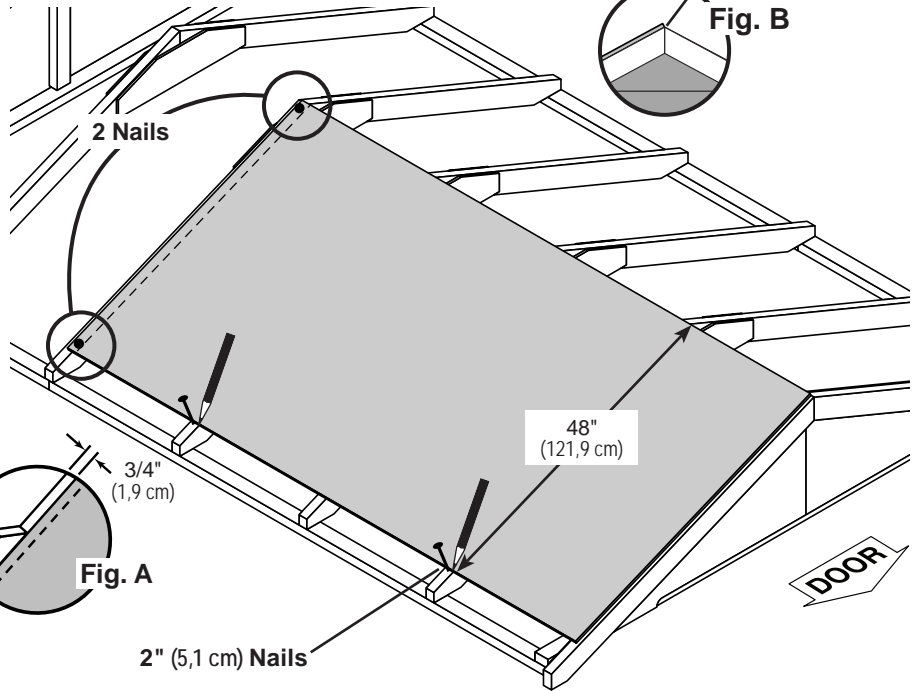
Flush at peak

Fig. B

✓ BEGIN

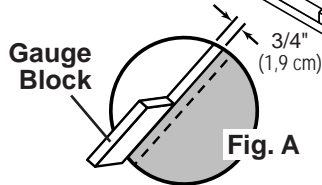
1

Before installing first roof panel, measure down 48" from rafter peak and mark 2 rafters, as shown. Place (1) 2" nail at each mark. (Nails will support panel in position.)



2

Install (1) 48" x 96" panel. Use the gauge block to ensure the 3/4" measurement on the rafter (Fig A), and that the panel is flush at the peak (Fig. B).



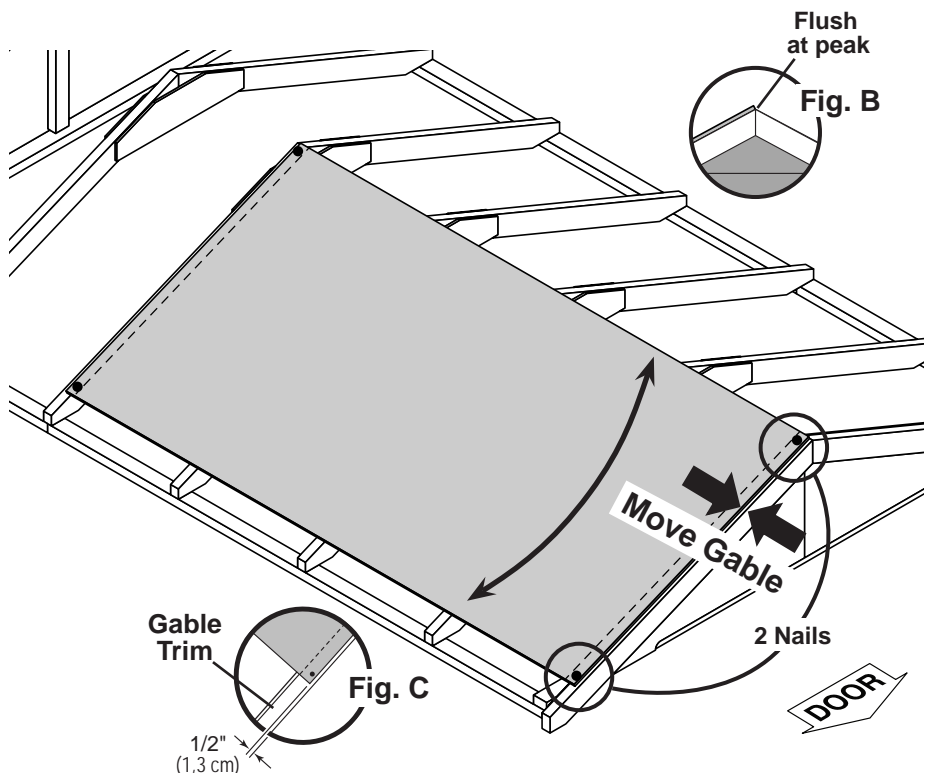
Secure the panel with (2) 2" nails in the corners.

3

Move to the opposite end. Using the long edge of the panel as a lever, move the panel side-to-side until the top corner is flush at the peak (Fig. B).

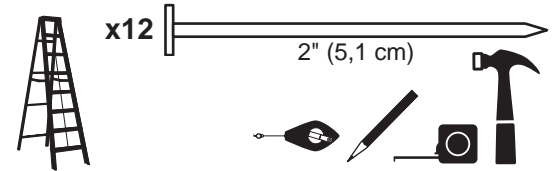
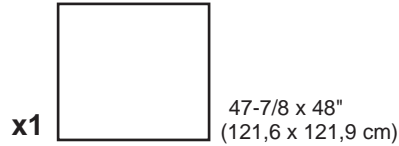
Move the gable trim until it is 1/2" from the roof panel (Fig. C).

Secure panel with (2) 2" nails in the corners.



ROOF PANELS

PARTS REQUIRED:



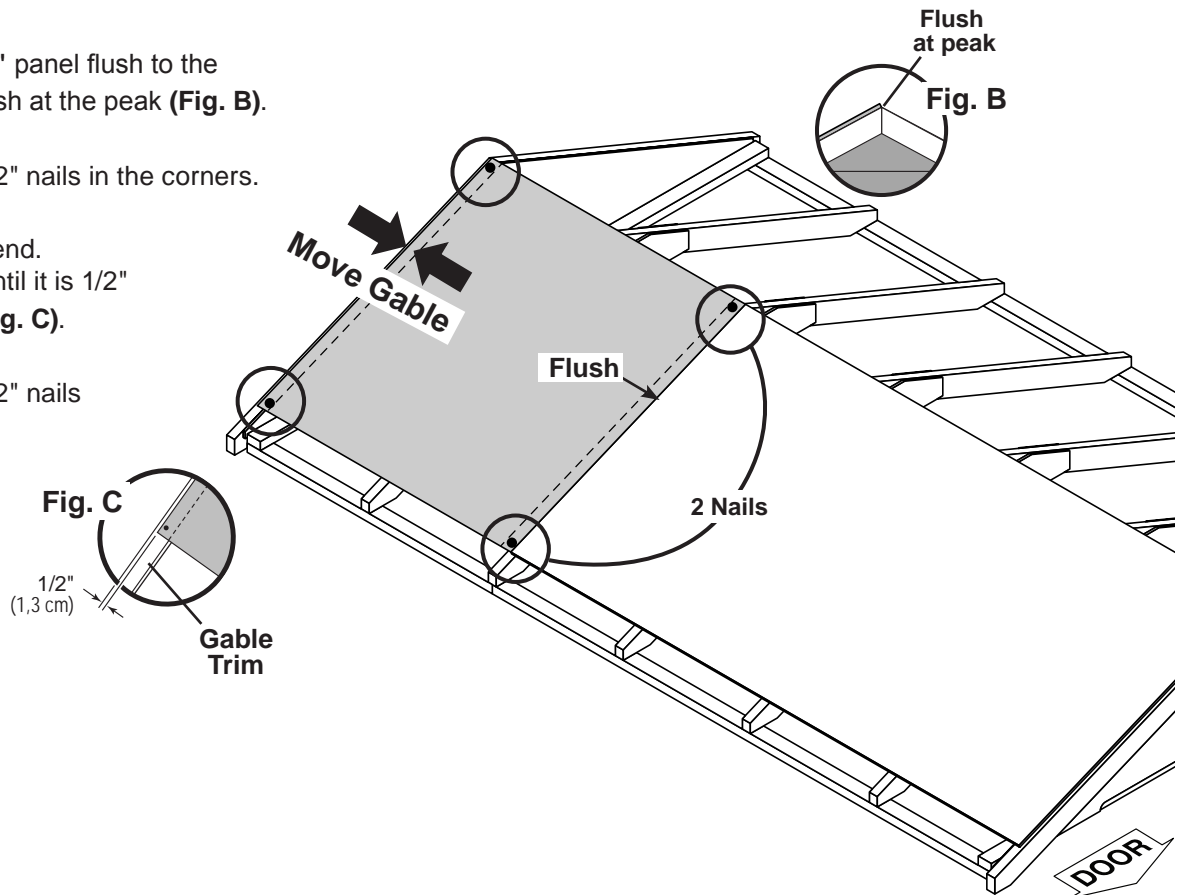
4

Install (1) 47-7/8" x 48" panel flush to the installed panel and flush at the peak (**Fig. B**).

Secure panel with (2) 2" nails in the corners.

Move to the opposite end. Move the gable trim until it is 1/2" from the roof panel (**Fig. C**).

Secure panel with (2) 2" nails in the corners.

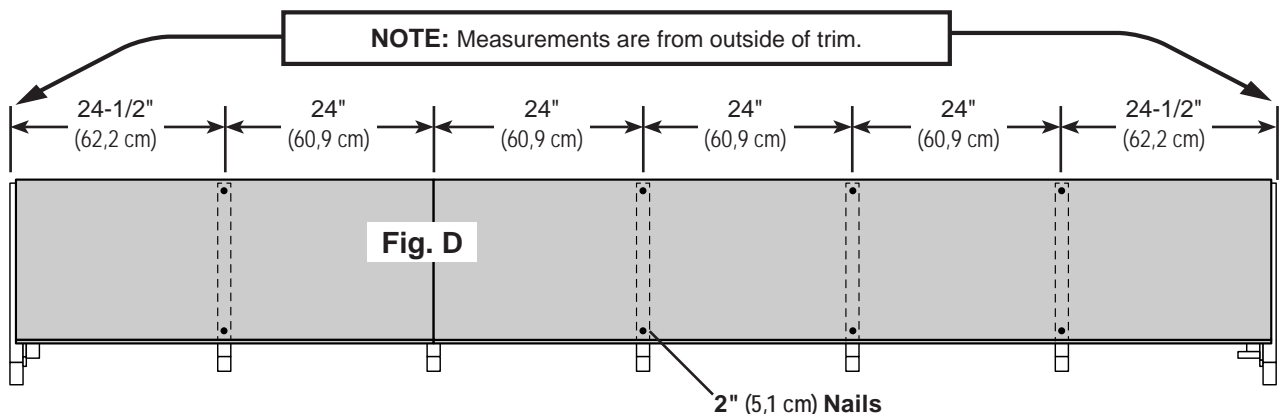


5

Maintain spacing between the center of the rafters (**Fig. D**).



Secure top of panels with (1) 2" nail into each rafter.

Move to the bottom and secure panels with (1) 2" nail into each rafter.




ROOF PANELS

PARTS REQUIRED:

- x1  5-7/8" x 96"
(14,9 x 243,8 cm)
- x1  5-7/8" x 48"
(14,9 x 121,9 cm)

GAA
3/4" GAUGE
BLOCK



x108  2" (5 cm)

6

Install the 5-7/8" x 96" panel flush to upper installed panels.

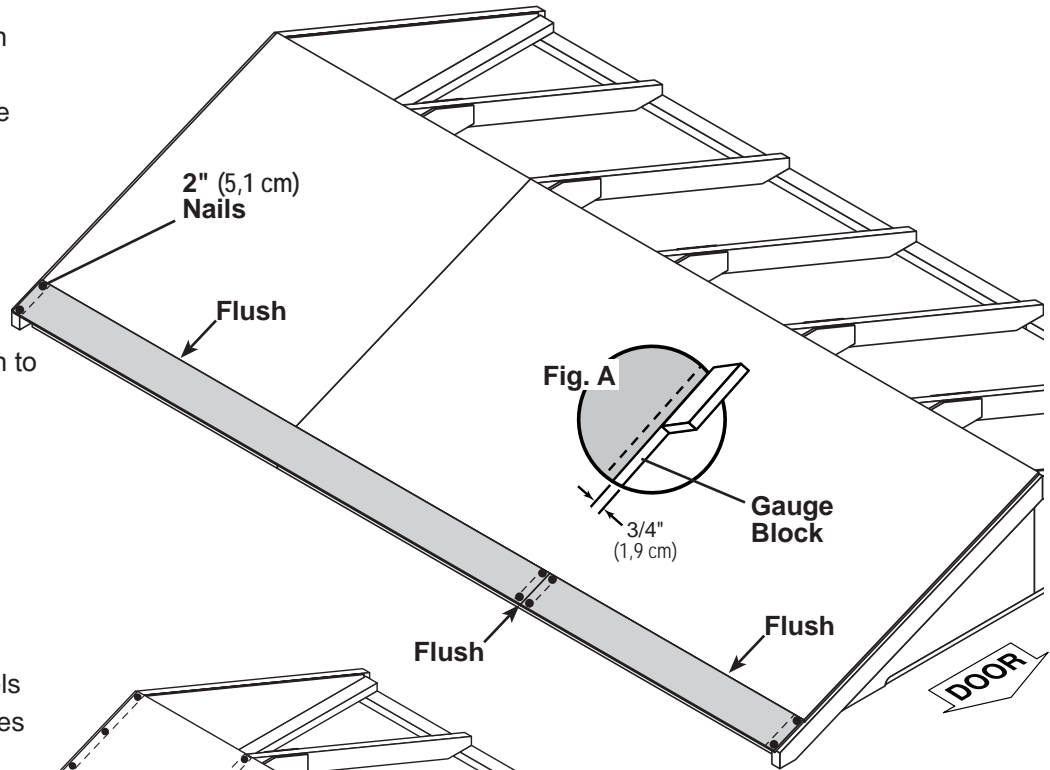
Use the gauge block to ensure the 3/4" measurement on the rafter (Fig A).

(Fig A).

Secure the panel with 2" nails in the corners.

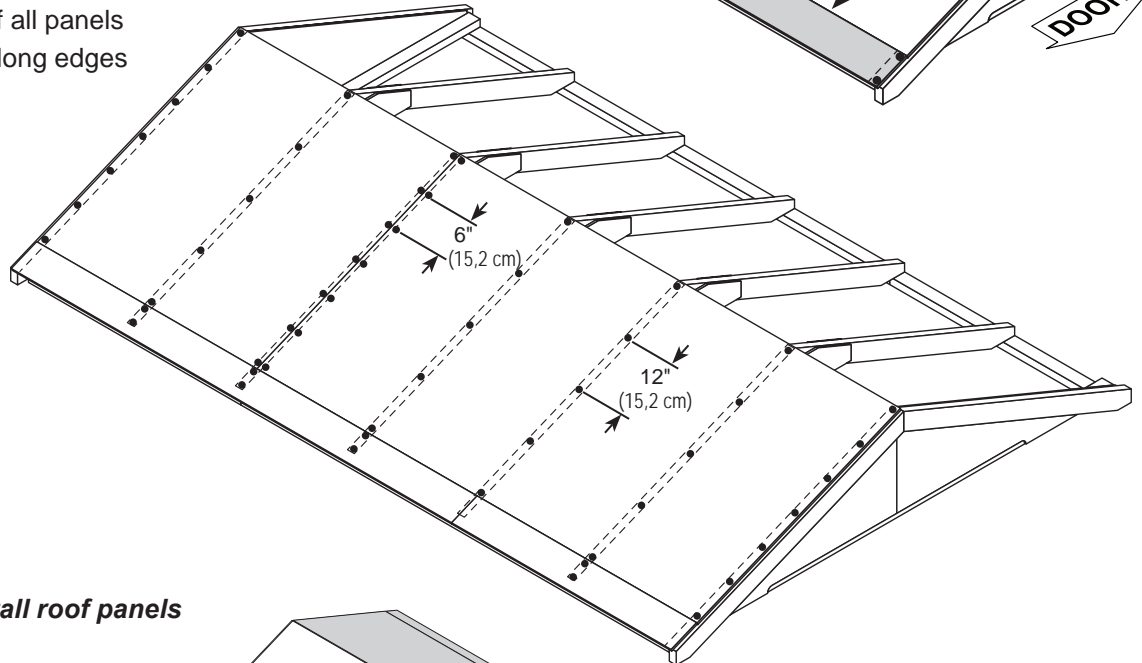
Install the 5-7/8" x 48" panel flush to installed panels.

Secure the panel with 2" nails in the corners.

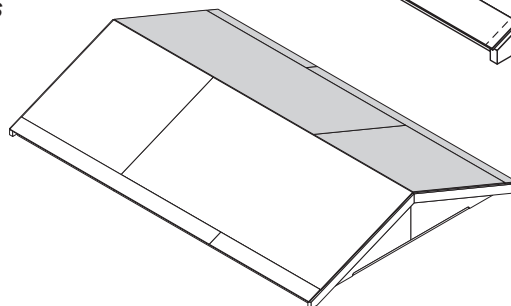


7

Complete the securing of all panels with 2" nails spaced 6" along edges and 12" inside panels.



Repeat all steps to install roof panels on opposite side.

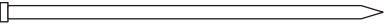


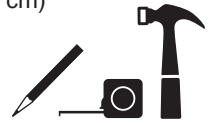
Your roof panels are now installed.

DOOR TRIM

PARTS REQUIRED:

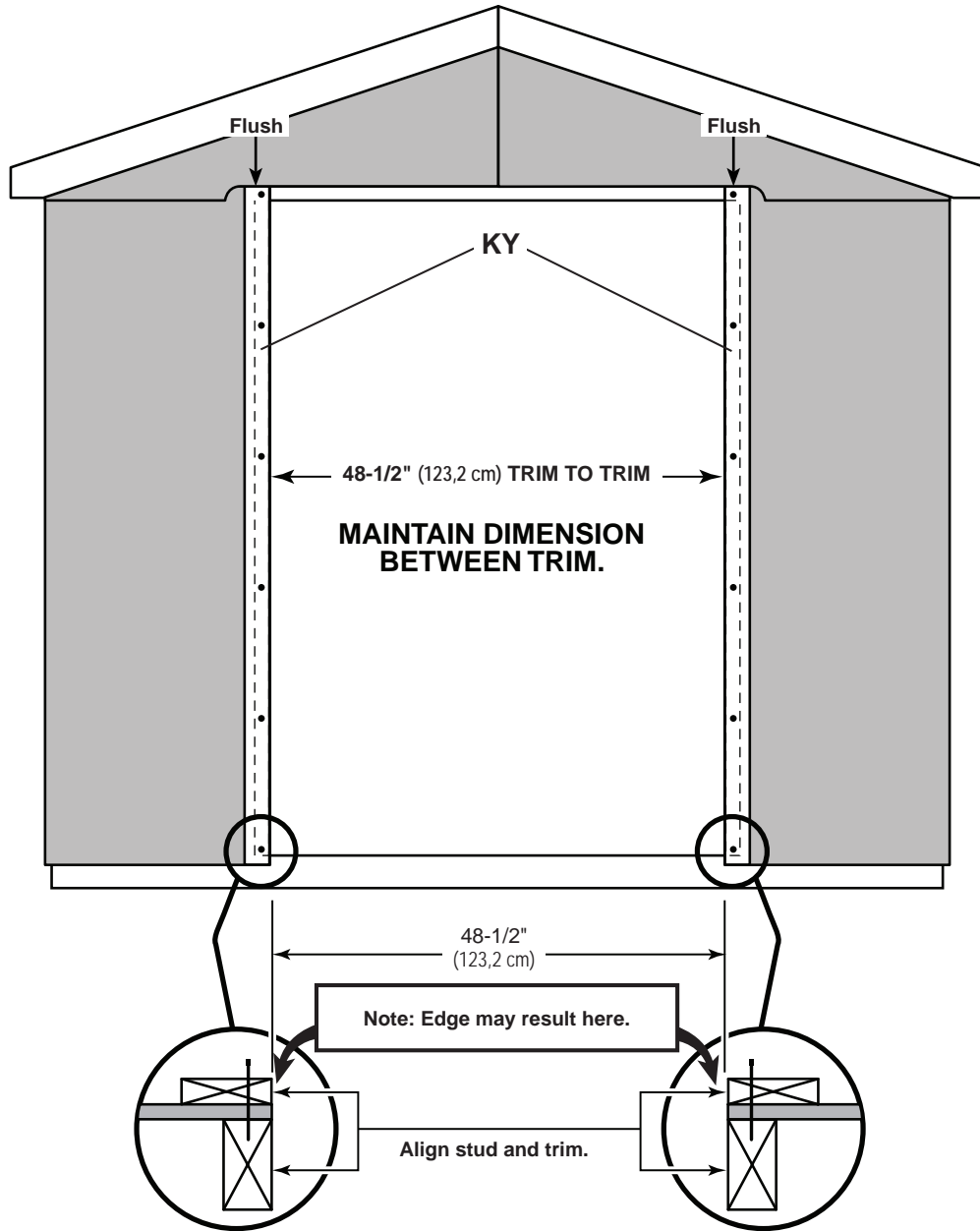
x2 **KY**
19/32" x 2-1/2" x 72-3/8" (1,5 x 6,3 x 183,8 cm)

x12 
2" (5,1 cm)



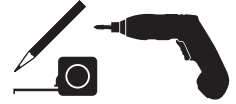
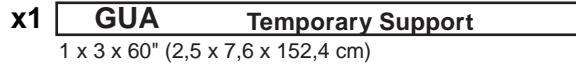
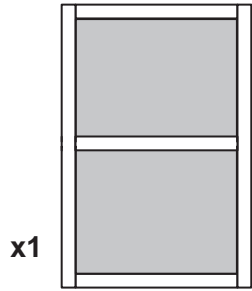
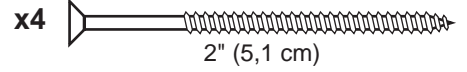
✓ **BEGIN**

- 1 Install (2) **KY** flush to the bottom of gable panels and aligned with stud.
Secure each with (6) 2" nails evenly spaced.



DOOR

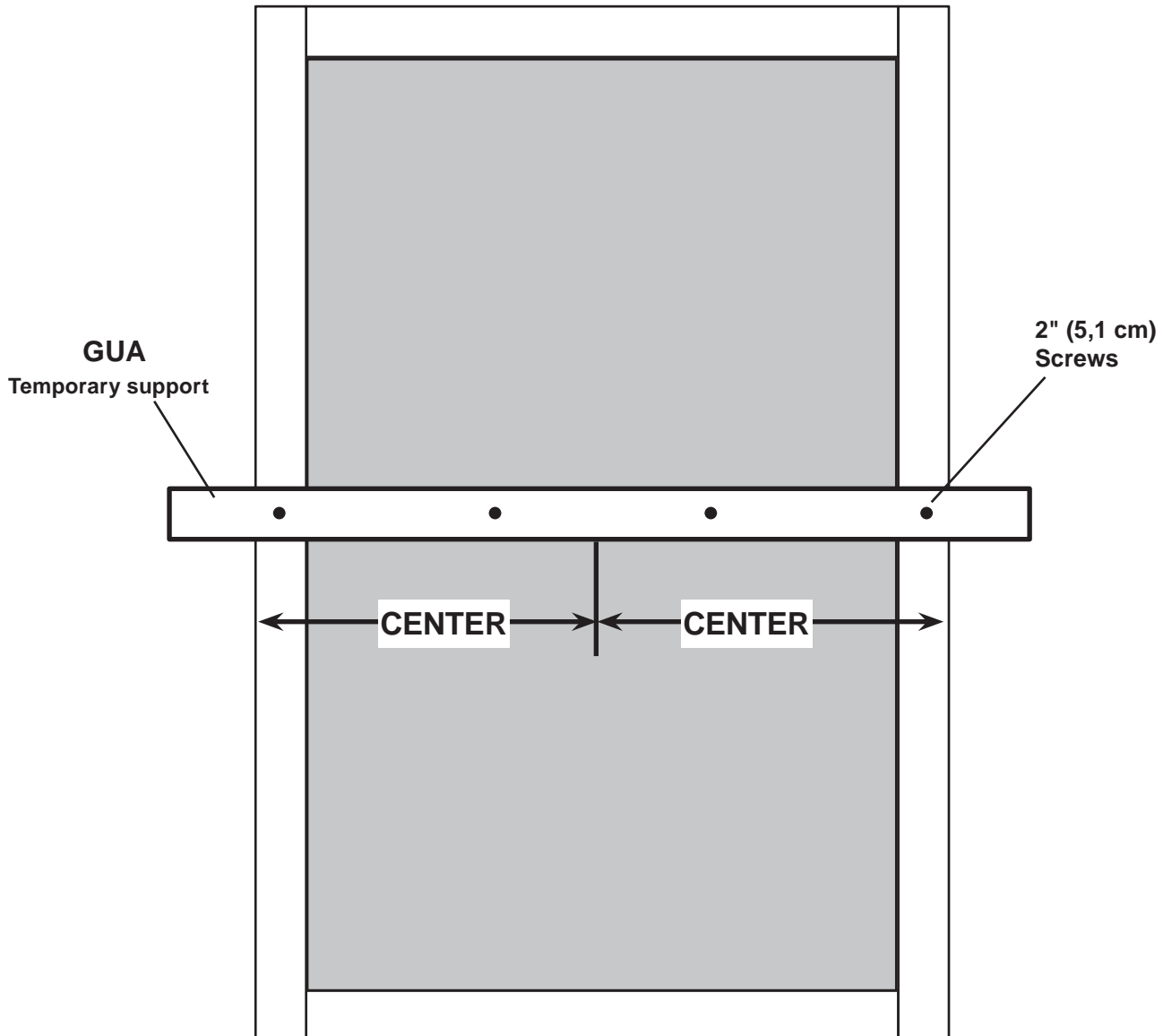
PARTS REQUIRED:



✓ **BEGIN**

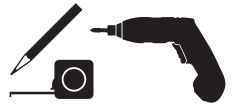
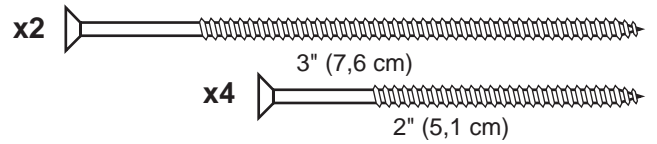
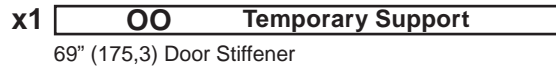
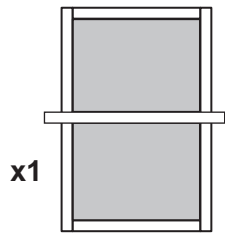
1 Arrange parts as shown on flat surface. **Center temporary part GUA over door.**

Secure temporary support **GUA** with (4) 2" screws.



DOOR

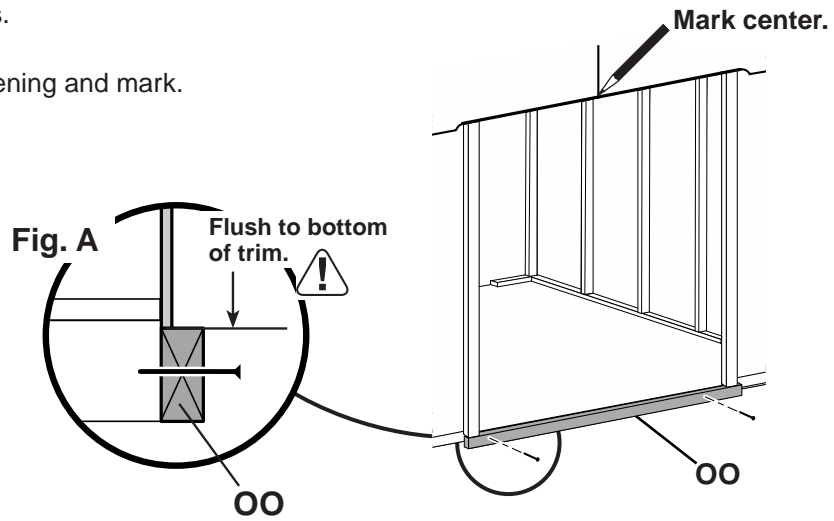
PARTS REQUIRED:



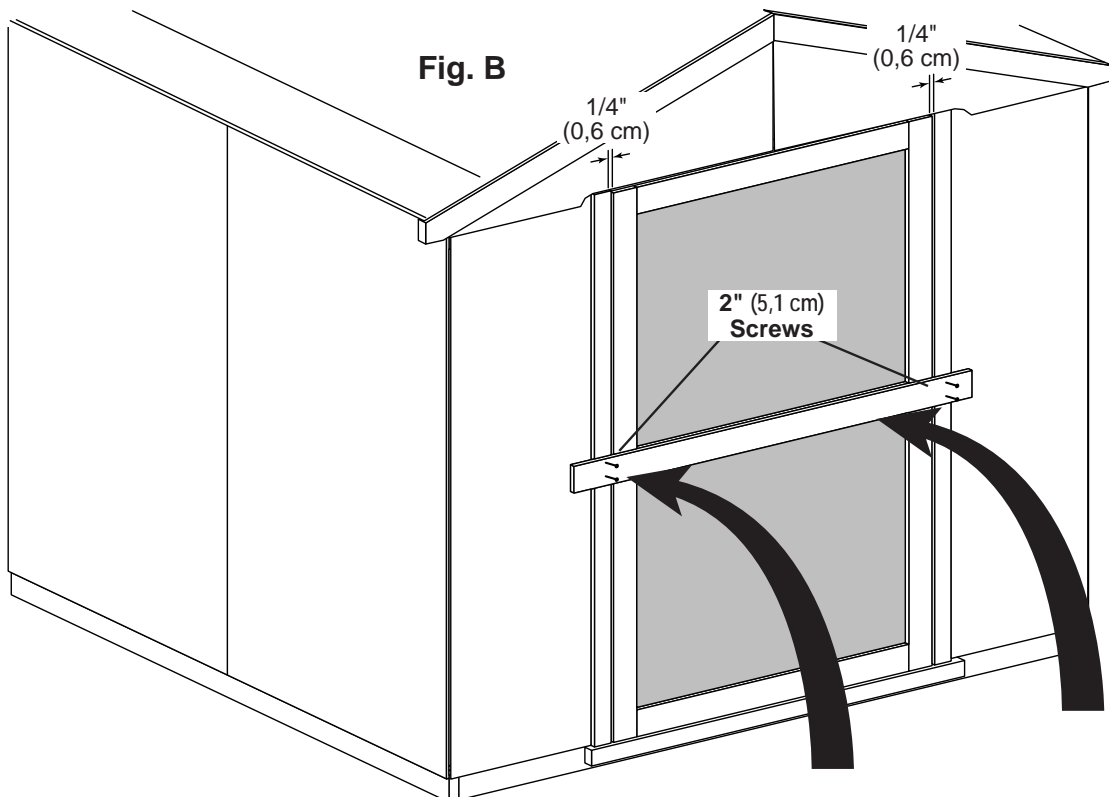
✓ **BEGIN**

- 1 Install temporary support **OO** flush to bottom of door trim (**Fig. A**).
Secure with (2) 3" screws.

Locate center of door opening and mark.





- 2 Set door on **OO**. Ensure door is centered.
Secure **GUA** to door trim with (4) 2" screws (**Fig. B**).

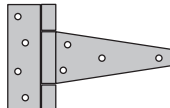


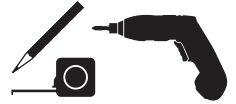
DOOR HARDWARE

PARTS REQUIRED:

x6  1" (2,5 cm)

x8  2-1/2" (6,4 cm)

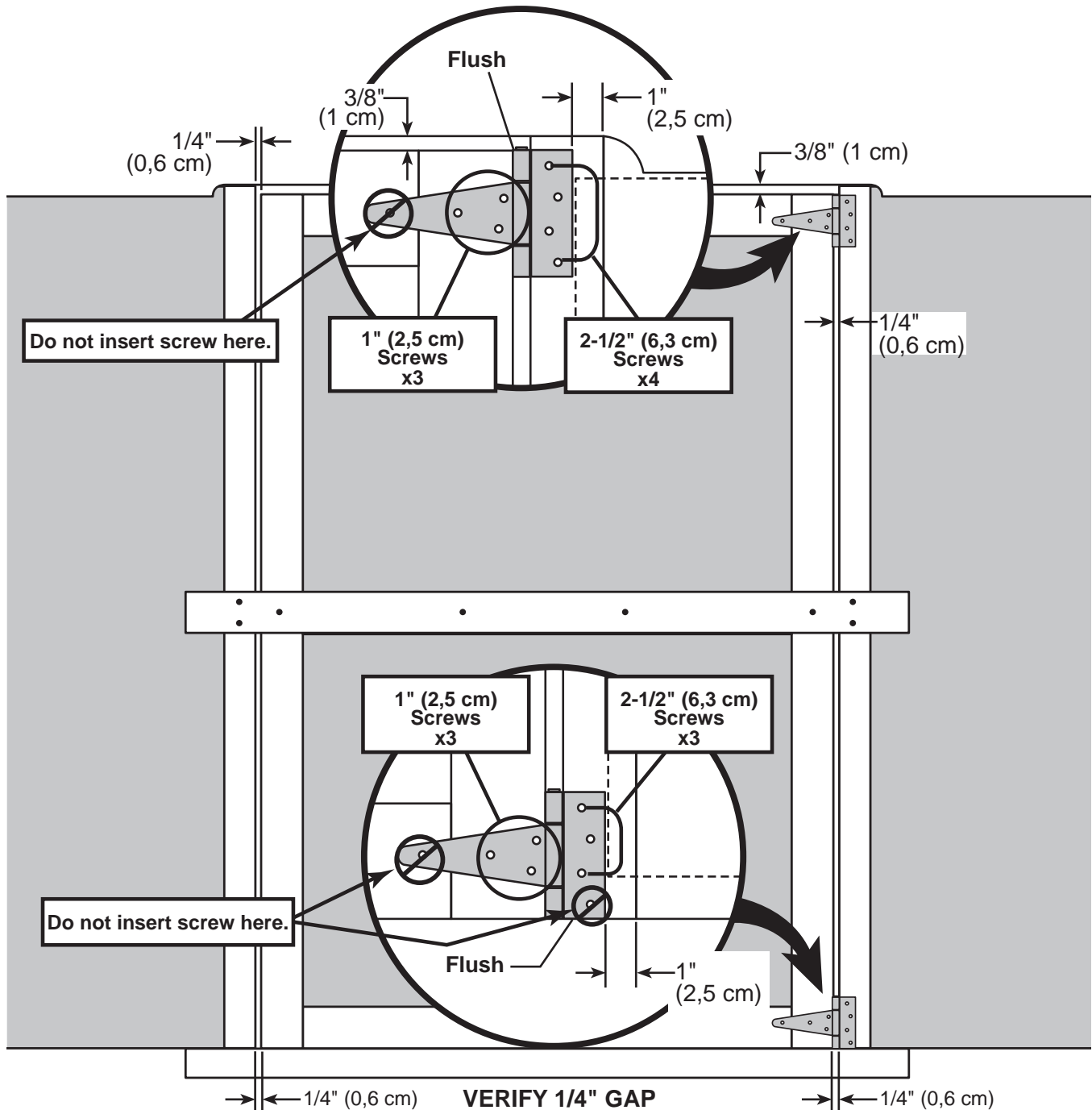
x3 



IMPORTANT! Verify 1/4" (0,6 cm) gap spacing on each side of door.


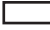
- 3 Place top hinge flush to top and 1" (2,5 cm) from the outside of trim as shown. Repeat step for bottom hinge.
- 4 Secure hinges with 2-1/2" screws on trim and 1" screws on door.



IMPORTANT! If you want door to swing from opposite side, reverse position of hinges.

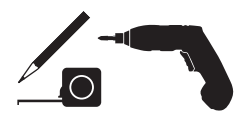


DOOR TRIM

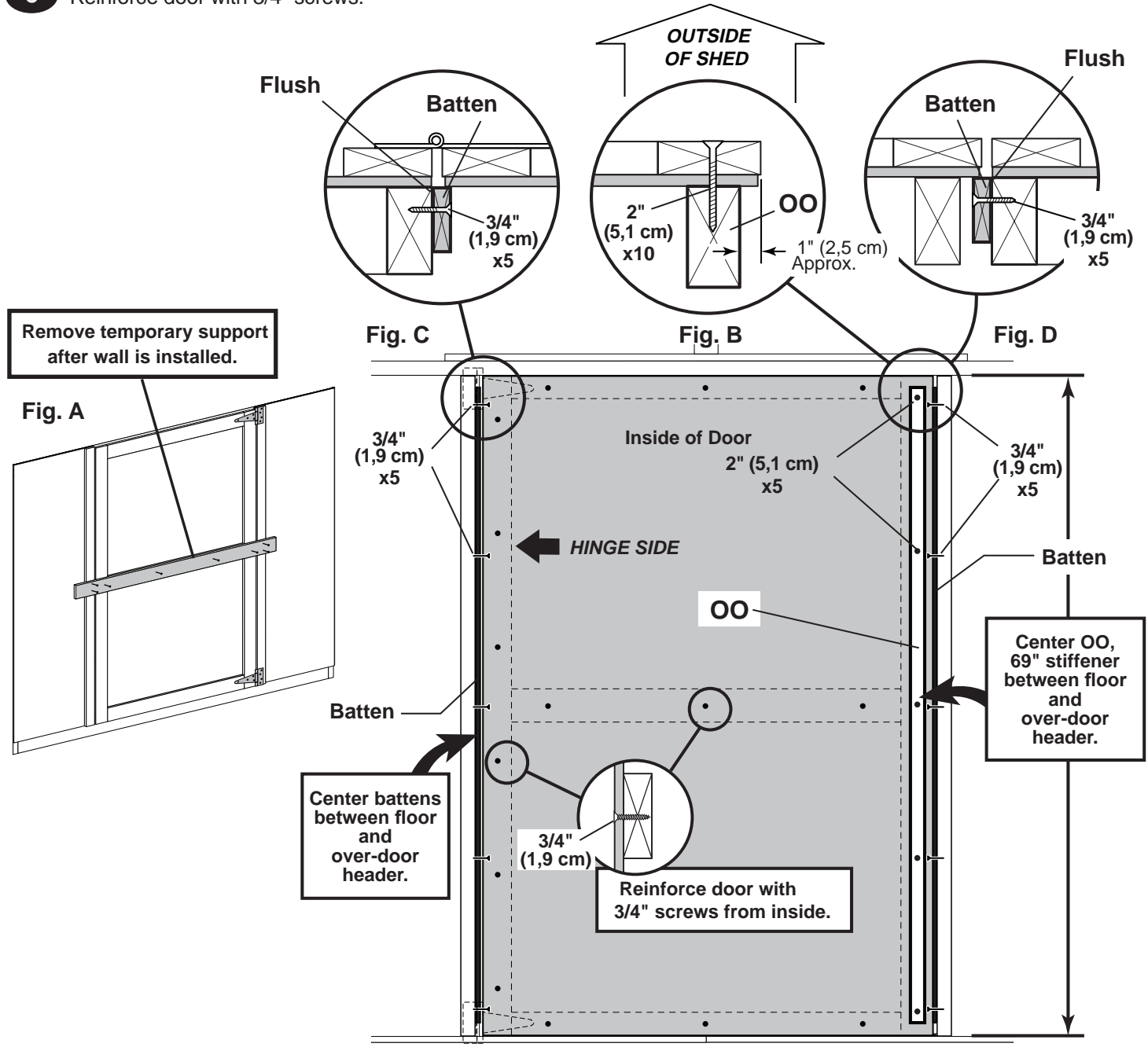
PARTS REQUIRED:

- x1  69" (175,3) Door Stiffener
- x2  3/8 x 1-3/4 x 69" (1 x 4,4 x 175,3 cm)

- x10  2" (5,1 cm)
- x24  3/4" (1,9 cm)

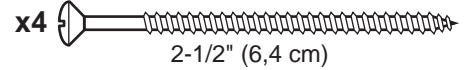
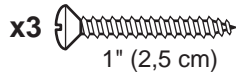
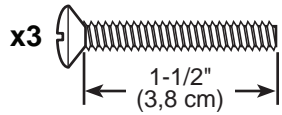


- 5 Remove temporary support (**Fig. A**).
- 6 Place **OO** 1" (2,5 cm) from side opposite of hinge. Center between floor and over-door header. Secure with (5) 2" (5,1 cm) screws from outside of door (**Fig. B**).
- 7 Place 1-3/4" x 69" batten flush to front of studs and center between floor and over-door header (**Fig. C, Fig. D**). Secure with (5) 3/4" screws.
- 8 Reinforce door with 3/4" screws.

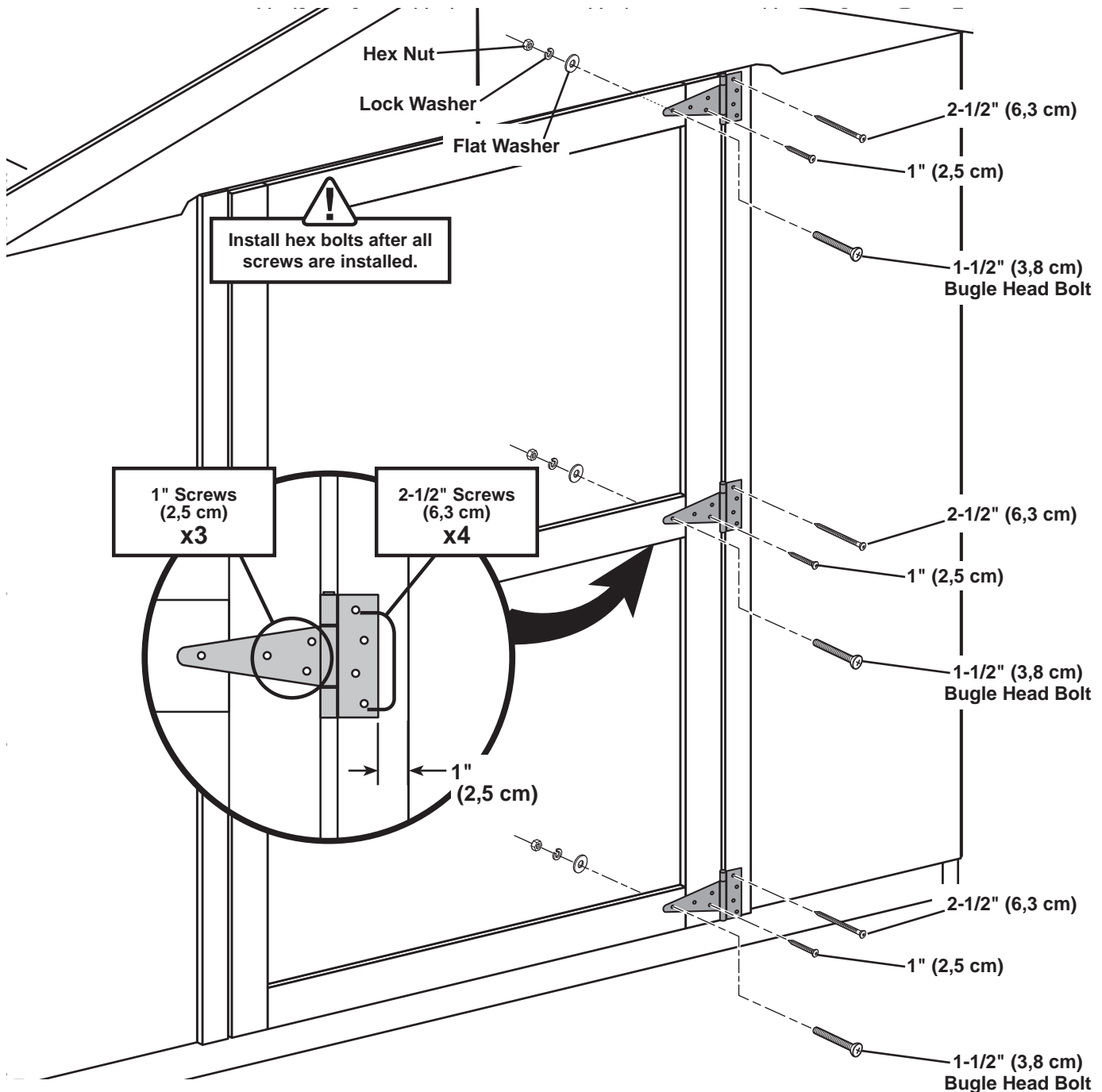


DOOR HARDWARE

PARTS REQUIRED:



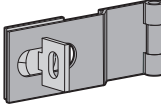
- 9 Place middle hinge centered on door and 1" (2,5 cm) from the outside of trim.
- 10 Secure hinge with 2-1/2" screws on trim and 1" screws on door.
- 11 Pre-drill 1/8 x 1/2" deep holes in remaining hinge holes.
- 12 Install 1-1/2" hex bolts, washers and hex nuts on hinges, as shown

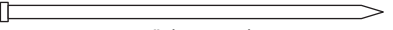



DOOR TRIM AND HARDWARE

PARTS REQUIRED:

x1 **ZB**
 19/32" x 2-1/2" x 55" (1,5 x 6,3 x 176,5 cm)

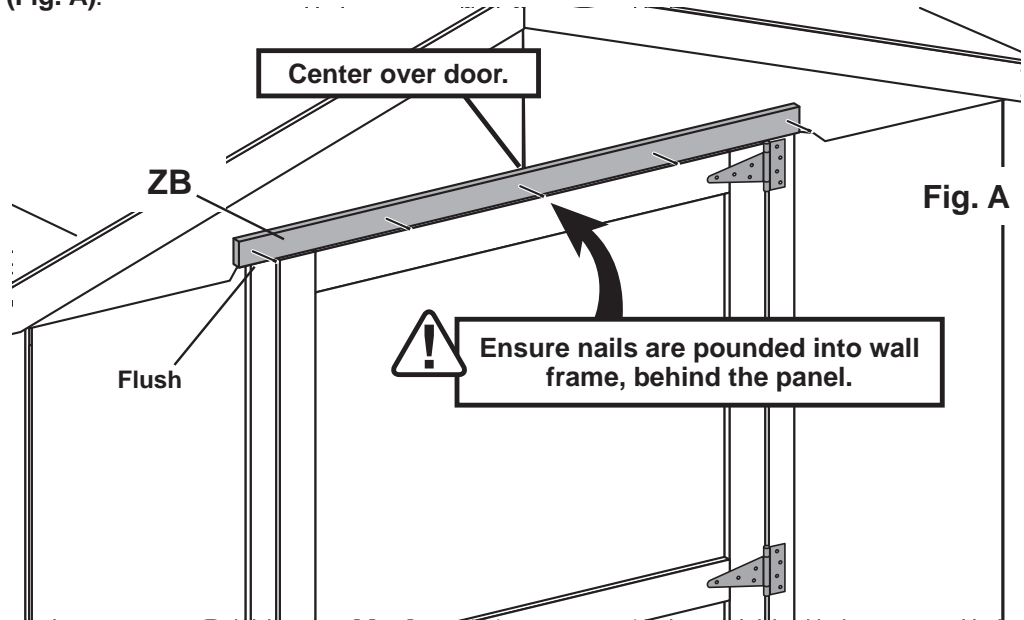
x4 

x5  2" (5,1 cm)

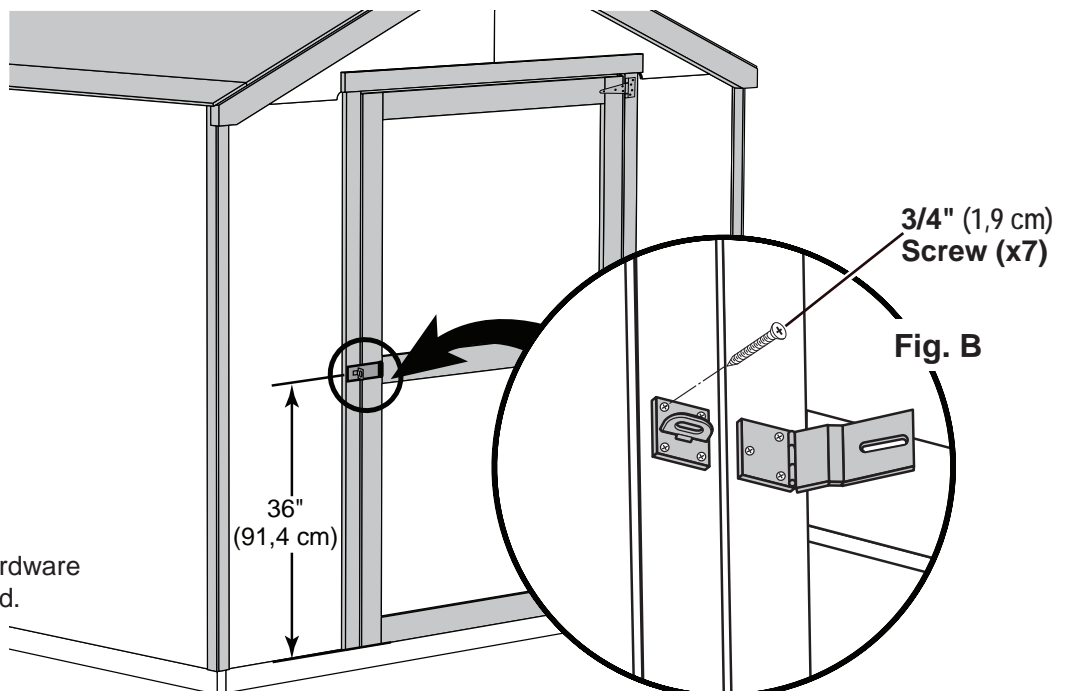
x7  3/4" (1,9 cm)



- 13** Center the over-door trim **ZB**.
 Secure with 2" screws (**Fig. A**).



- 14** Install hasp door and latch on door trim.
 Bottom edge of hasp is 36" (91,4 cm) up from bottom edge of door trim.
 Measure and mark locations.
 Secure with 3/4" screws, as shown (**Fig B**).

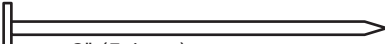


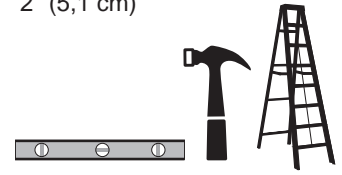
FINISH
 Your door trim and hardware items are now installed.

COLLAR TIES

PARTS REQUIRED:

x2 **GUA**
1 x 3 x 60" (2,5 x 7,6 x 152,4 cm)

x12 
2" (5,1 cm)

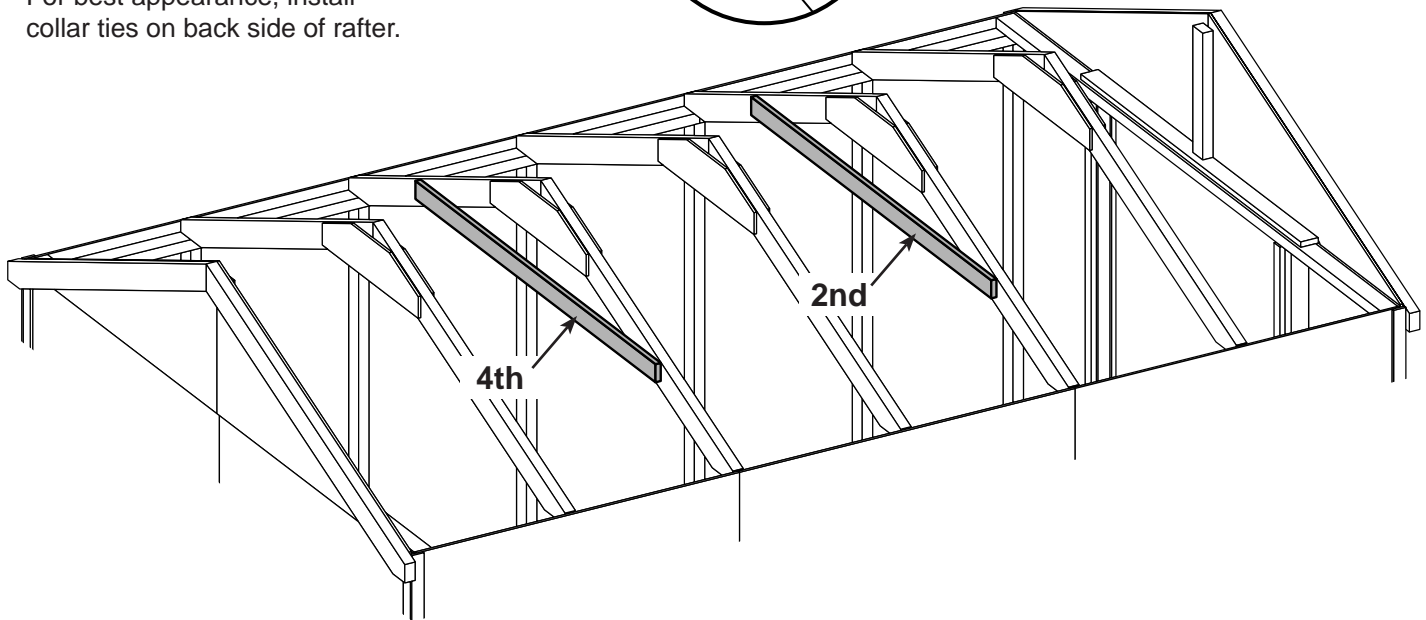
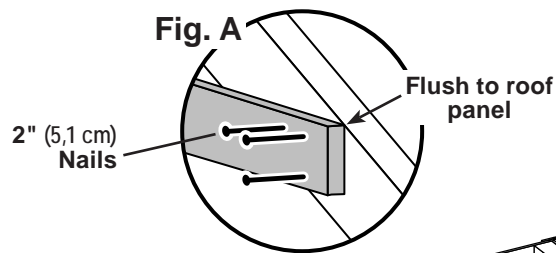


✓ **BEGIN**

- 1 Install (2) collar ties **GUA** 2nd and 4th rafters (**Fig. A**).
Ensure rafters are level and flush to roof panels.



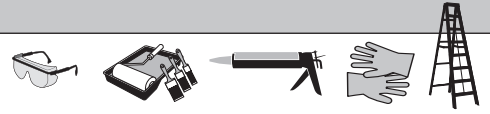
HINT:
For best appearance, install
collar ties on back side of rafter.



FINISH
Your collar ties are now installed.

PAINT & CAULK

- NOT INCLUDED -



- Use acrylic latex caulk that is paintable. Caulk at all horizontal and vertical seams, between the trim and walls, and all around the door trim.
- Use a high quality exterior acrylic latex paint. When painting your building, there are a few key areas that can be easily overlooked that must be painted:
 - Bottom edge of all siding and trim
 - Inside of doors and all 4 edges

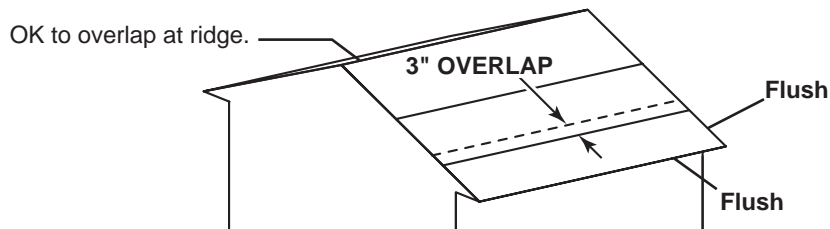
Note:

Prime all un-primed exterior wood before painting.
(Follow directions provided by manufacturer.)

ROOF FELT

- NOT INCLUDED -

- Install felt flush to all roof edges overlapping 3". Use minimal amount of roofing nails to hold in place.

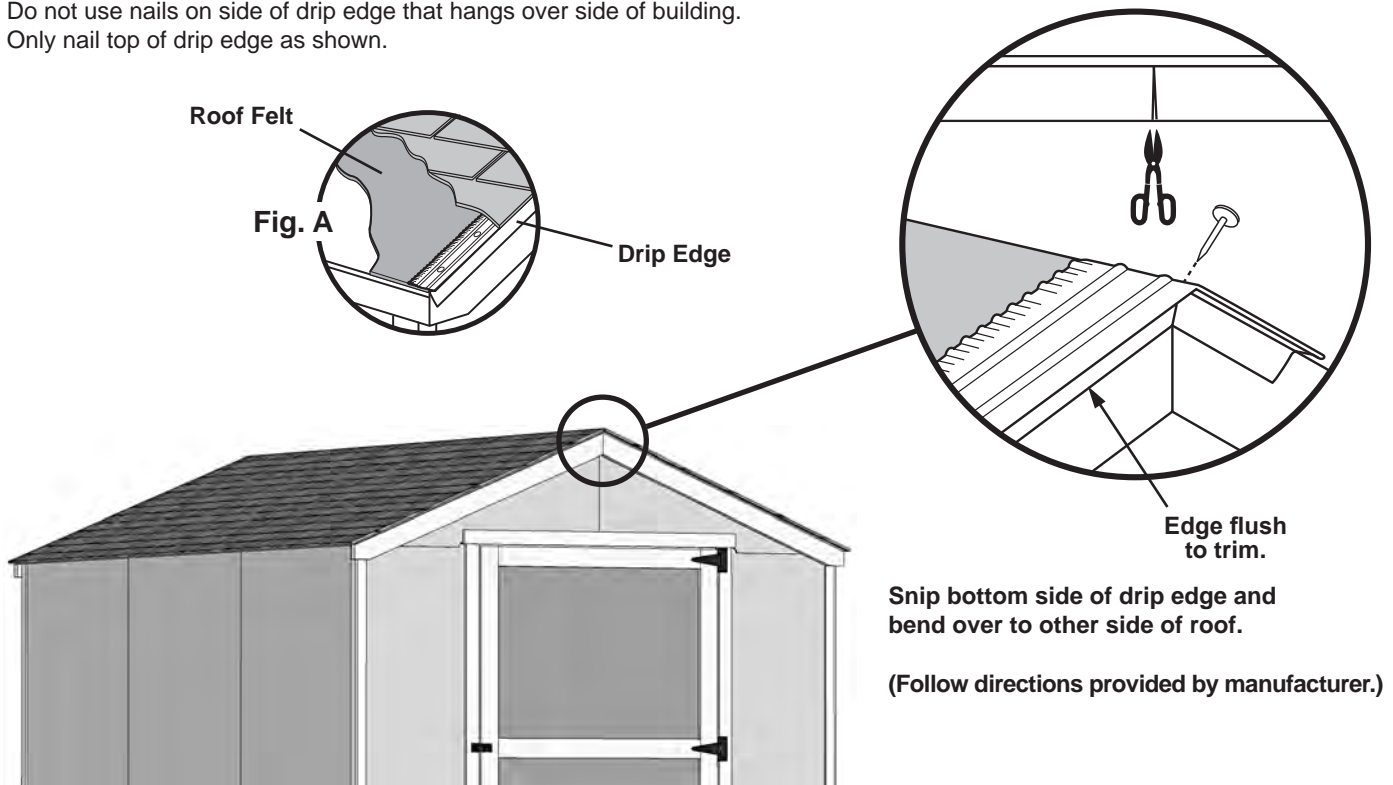


DRIP EDGE

- NOT INCLUDED -



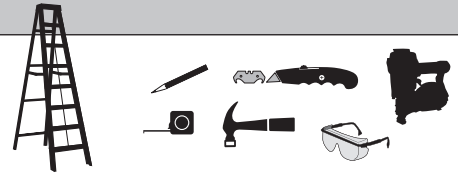
- Install over roof felt on gable side (**Fig. A**).
- Do not use nails on side of drip edge that hangs over side of building.
- Only nail top of drip edge as shown.



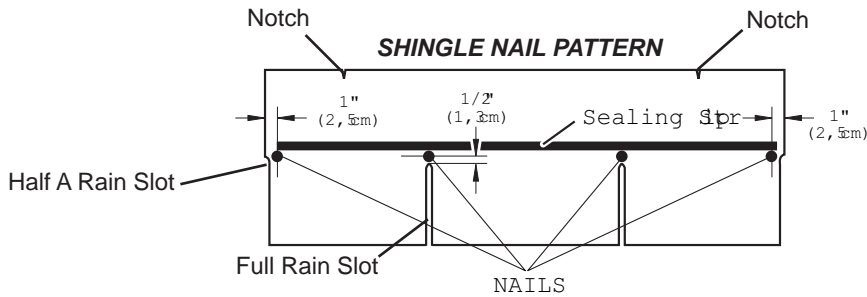
SHINGLES

- NOT INCLUDED -

• Follow directions provided by manufacturer and these instructions.



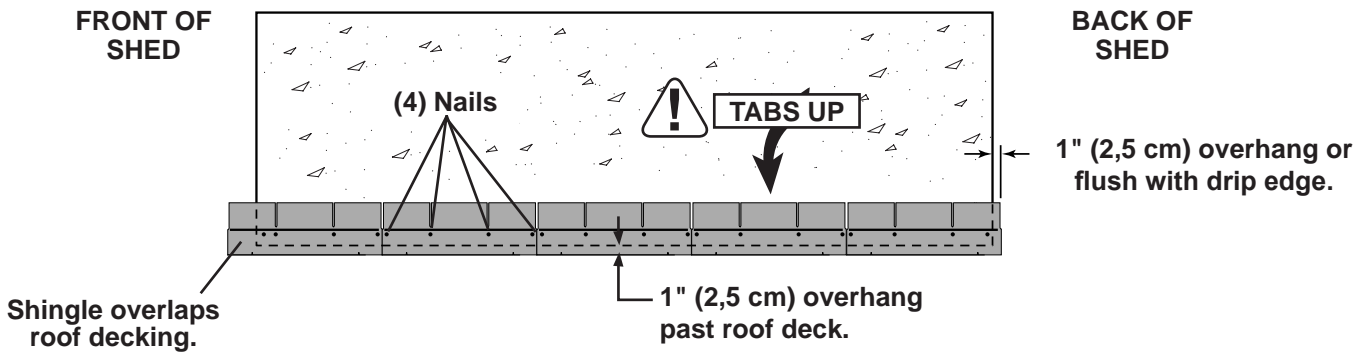
! Familiarize yourself with a 3-Tab Shingle.



! NEVER DRIVE FASTENERS INTO OR ABOVE SEALING STRIPS.

✓ BEGIN

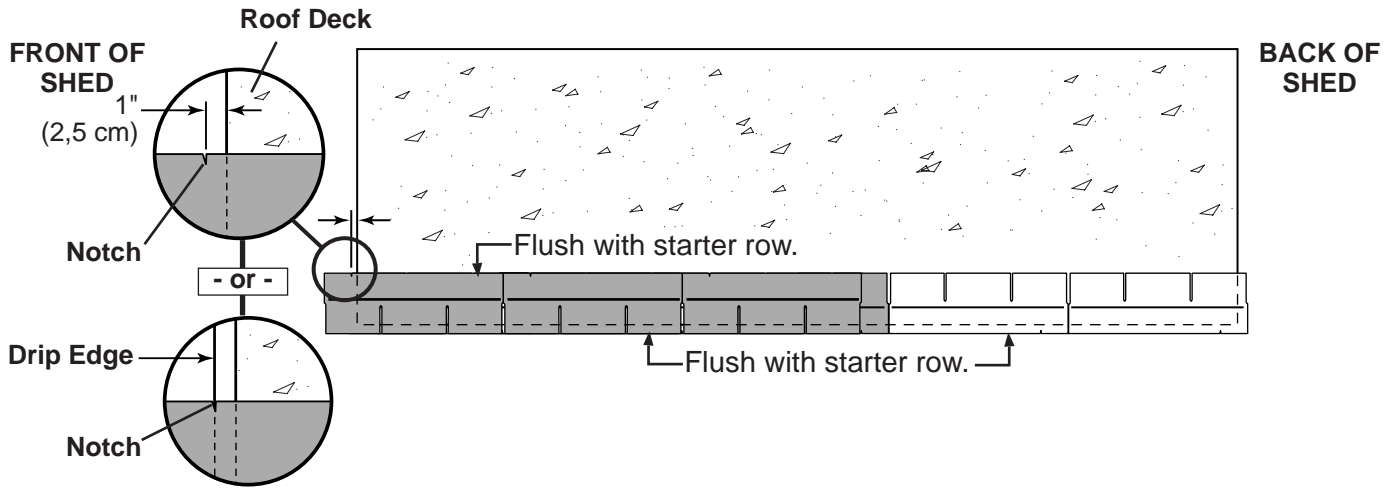
- 1 Install first starter row upside down and color up with a 1" overhang at back and bottom of roof panel. Use (4) nails per shingle. Starter row must be straight and level all the way across with lower edge of roof deck.
NOTE: If you have installed drip edge install shingles flush to drip edge.



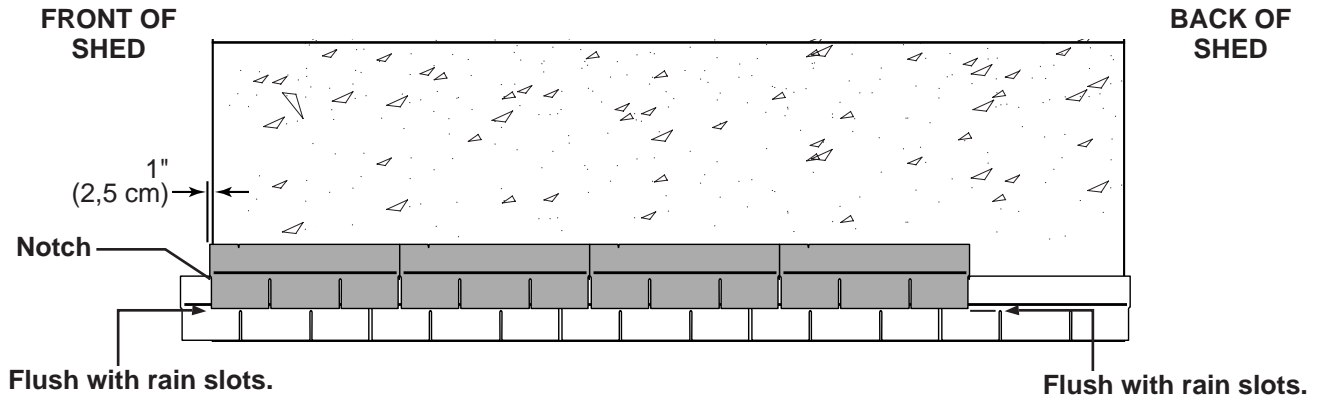
SHINGLES

continued...

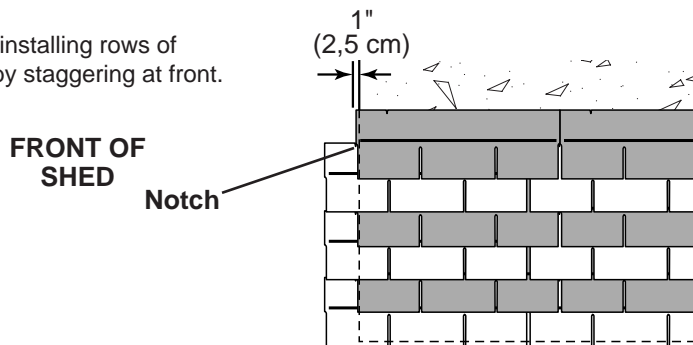
- 2 Beginning at front of shed, install first row of shingles with notch at 1" past roof edge or flush with drip edge.



- 3 Install second row of shingles flush at top of first row's rain slots. Ensure 1" overhang or flush to drip edge at front, stagger each row.



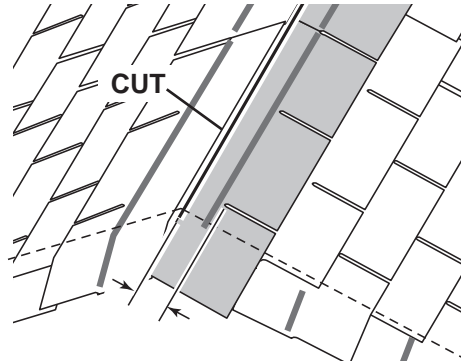
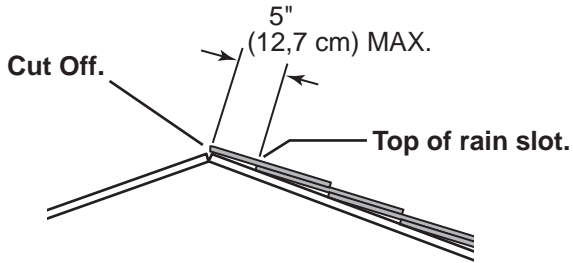
- 4 Continue installing rows of shingles by staggering at front.



SHINGLES

continued...

- 5** Continue installing rows of shingles to the peak. At the peak make sure there is a maximum of 5" or less to the rain slot, as shown below. If shingles overlap at ridge cut to peak with a utility knife.

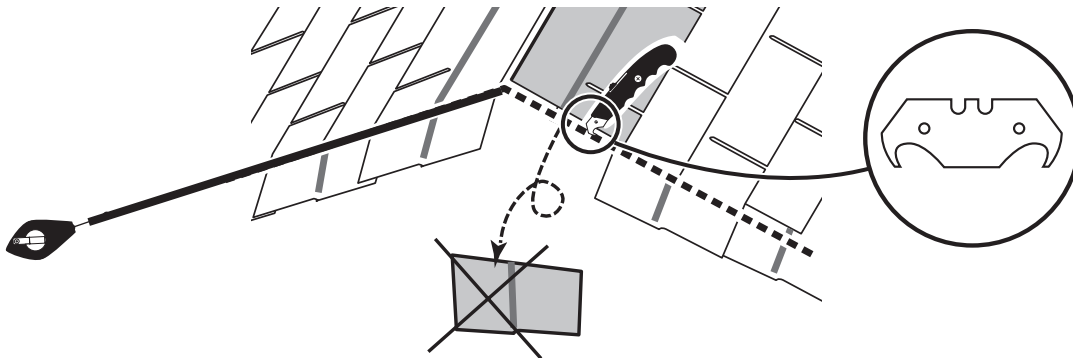


- !** • If more than 5" to rain slot you must install another row of shingles.

- 6** Repeat steps 1 - 5 to shingle the opposite side of your roof. Trim shingles at ridge.

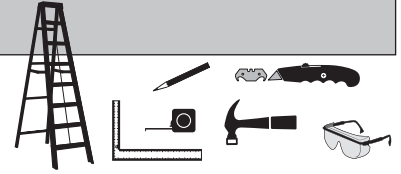
- 7** Once both sides are shingled you need to trim ends. Strike a chalk line 1" from edge.

- 8** Using your shingle hooked blade carefully cut shingles along chalk line.



You have finished shingling your roof. Proceed to capping the ridge.

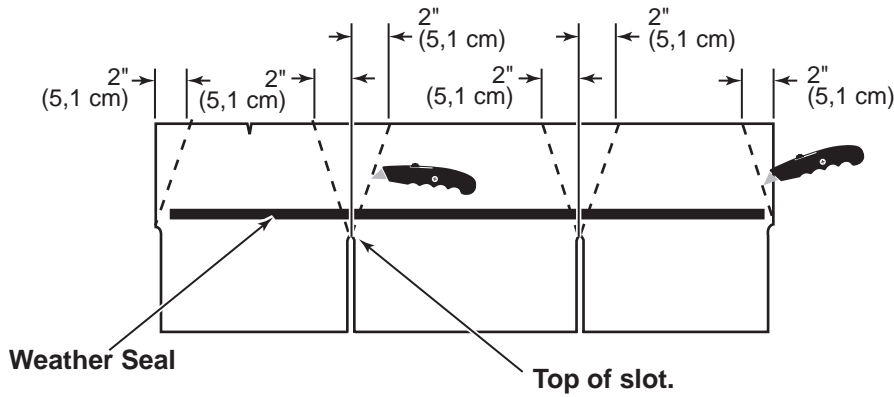
SHINGLES - RIDGE CAP



• You will finish off the top of the roof with a ridge cap made from shingles.

✓ BEGIN

1 Cut shingles into THREE pieces. **Hint:** Use cut-off pieces first.

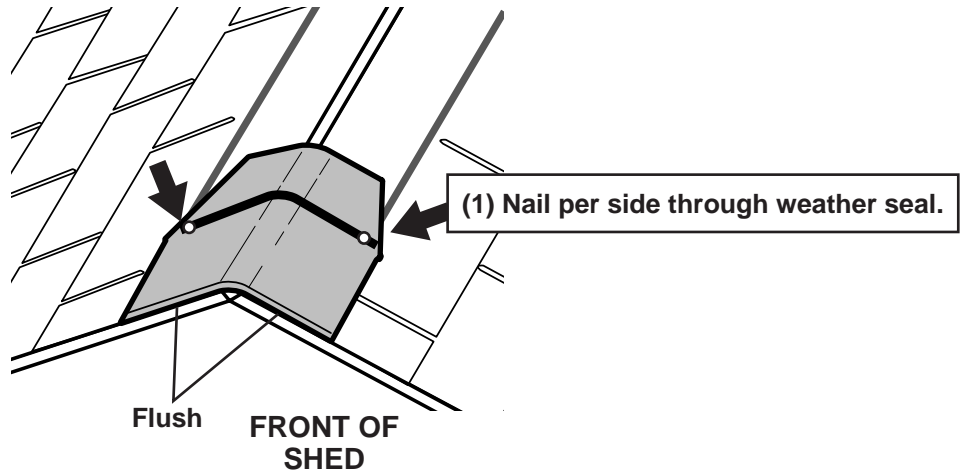


 Score shingle, then snap-off angled cut.

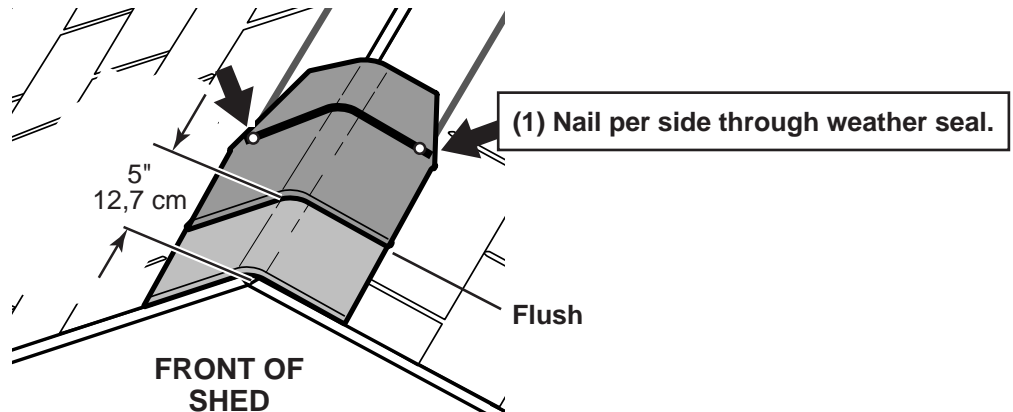
Note: • You will need about 30 - 32 cut pieces.

30 to 32 Pieces

2 Install first ridge cap flush to shingles at front, as shown.



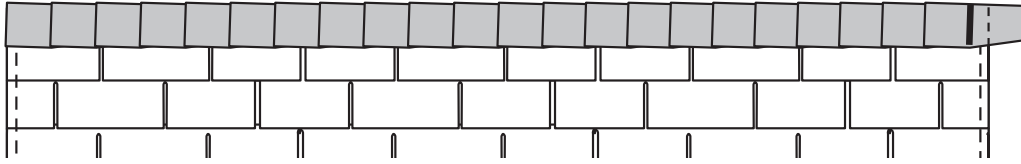
3 Install second ridge cap 5" back, as shown.



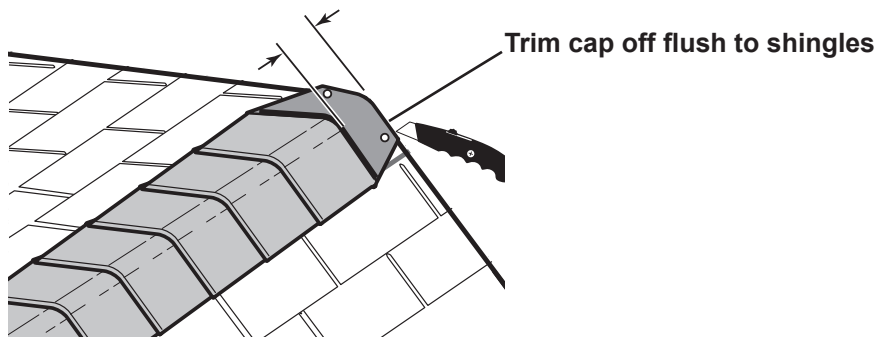
SHINGLES - RIDGE CAP

continued...

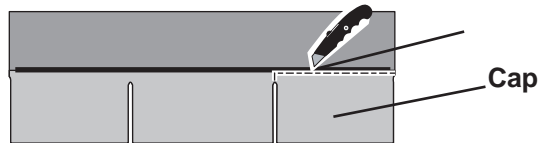
4 Continue installing ridge cap to back of roof.



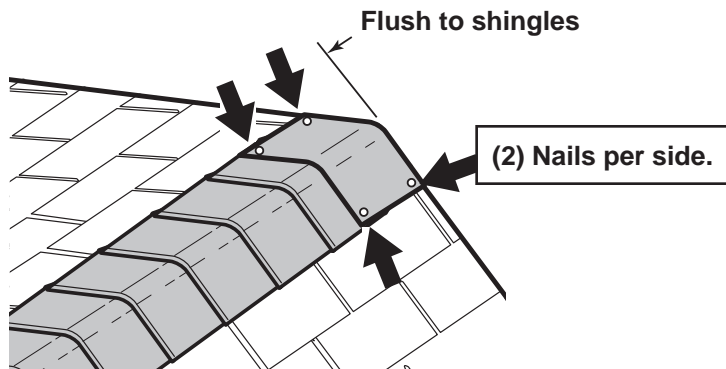
5 Make sure there is 4" between the shingle-color and edge of shingles.



6 When you have 4" minimum of shingle color cut one piece to cap your roof.



7 Install flush to shingles.



You have finished your ridge cap.

16992 8' x 12' Order Form

CATEGORY	PART DESCRIPTION	PART SIZE	PART ITEM #	BUILDING QTY.	PART ID
2 X 3	Vertical Door Supports	2 X 3 X 69 1/2'	Q 69080000000	2	KU
	Eave Wall Studs	2 X 3 X 67 3/8"	Q 67060000000	14	CJ
	Eave Wall Top Plate "A"	2 X 3 X 94 5/16" PLATE	Q 94050000000	2	ICA
	Eave Wall Top Plate "B"	2 X 3 X 46 5/16" PLATE	Q 46050000000	2	GYA
	Eave Wall Connectors	LUM SPF 2X3X96 #2&BTR	12115	2	PT
	Upper Gable Connector	2 X 3 X 17 1/2" CRATE MTL	Q 17080000000	2	BV
	Horizontal Back Wall Support	2 X 3 X 91"	Q 91000000000	1	PS
	Vertical Back Wall Connector	2 X 3 X 34"	Q 34000000000	2	CI
	Gable Wall Nailing Block	2 X 3 X 13"	Q 13000000000	2	RK
2 X 4	Rafter	2 X 4 X 52" 22.5* RAFTER	O 52002323000	10	CM
	Gable Trim	2 X 4 X 53 11/16" 22.5*	O 53112323000	4	CL
2 X 4 TREATED FLOOR FRAME	Floor Joist	LUM TRTD 2 X 4 X 93 #2&BTR	P 93000000000	7	---
	Floor Bond - Long B	2 X 4 X 92 5/8" TREATED	P 92100000000	1	---
	Floor Bond - Long A	LUM TRTD 2 X 4 X 96 #2&BTR	P 96000000000	1	---
	Floor Bond - Short A	LUM TRTD 2 X 4 X 48 #2&BTR	P 48000000000	1	---
	Floor Bond - Short B	2 X 4 X 44 5/8" TREATED BOND	P 44100000000	1	---
1 X 3 PINE	Gable Panel Support	1 X 3 X 55" PINE	U 55000000000	1	DS
	Collar Tie	LUM SPF 1X3 X60" PART & PRE-	U 6000000000P	2	GUA
	Gauge Block	1 X 3 X 5" PINE FILLER	U 05000000000	1	GAA
7/16 OSB	Upper Large Roof Panel "A"	OSB 7/16" x 4' x 8'	11110	2	---
	Lower Small Roof Panel "A"	7/16" OSB 5 7/8" X 96" ROOF	C 96000514000	2	---
	Upper Large Roof Panel "B"	7/16" OSB 47 7/8" X 48" ROOF	C 48004714000	2	---
	Lower Small Roof Panel "B"	7/16" OSB 5 7/8" X 48" ROOF	C 48000514000	2	---
5/8 OSB	Floor Panel "A"	OSB 5/8" X 4' X 8'	11117	2	---
	Floor Panel "B"	5/8" OSB 44 5/8" X 96"	E 96004410000	1	---
	Eave Wall Bottom Plate "A"	5/8" OSB 2 1/2" X 94 5/16"	E 94050208000	2	---
	Eave Wall Bottom Plate "B"	5/8" OSB 2 1/2" X 46 5/16"	E 46050208000	2	---
GUSSETS	Gusset	EZ8"/OSB 6" X 24" GUSSET 22.5*	J 24000600225	10	---
NG SIDING	Frontwall Wing Panels	3/8"NG 23 7/8" X72" PANEL OR	K 72002314000	2	---
	Backwall Panel	SIDING NGSE 3/8X4'X6'	11509	4	---
	Side Wall Panels	3/8" NG 46 1/8"x 72" PANEL	K 72004602000	4	---
	Side Wall Corner Trim	3/8" NG 1 3/4" X 72"	K 72000112000	4	---
	Front Wall Corner Trim	3/8" NG 1 3/4" X 71"	K 71000112000	4	---
	Front Gable Panels - Right	3/8" NG 20" X 48" RGT FRONT	K 48002000144	1	---
	Front Gable Panels - Left	3/8" NG 20" X 48" LFT FRONT	K 48002000244	1	---
	Back Gable Panels - Right	3/8" NG 21" X 48" RGT BACK	K 48002100114	1	---
	Back Gable Panels - Left	3/8" NG 21" X 48" LFT BACK	K 48002100214	1	---
	Weather Trim	3/8" NG 1 3/4" X 69"	K 69000112000	2	---
19/32 X 3 SMART TRIM	Over Door Trim	19/32 TST 2 1/2" X 55" TRIM	UT55000208000	1	ZB
	Hinge board / Vertical Trim	19/32 TST 2 1/2" X 72-3/8" TRIM	UT72060208000	2	KY
PURCHASED COMPONENTS	Door Stiffener	LSL 1-1/4 X 2-1/4 X 69 PET	12715	1	OO
	Hinge	H/K 6" T-HINGE w/ BUSHINGS (P	15223	1	---
	Hardware Kit	H/K MENARDS 8X8 & 8X12 GABLE	15453	1	---
	2" 6d Nails	NAIL 6D 2" BOX HDG BOX	15105	5	---
	3" 10d Nails	NAIL 10D 3" BOX HDG BOX	15109	2	---
PACKAGING	Instructions		16992	1	---
Door Assembly			30084		
	Door Panel	SIDING NGSE 3/8X4'X6'	11509	1	---
	Vertical Door Stiles	19/32 TST 4" X 72" TRIM	UT72000308000	2	ZO
	Horizontal Door Rails	19/32" X 3 1/2" X 41"	UT41000308000	3	NSA

LIMITED CONDITIONAL WARRANTY*

Backyard Storage Solutions, LLC warrants the following:

1. Every product is warranted from defects in workmanship and manufacturing for 1 year.
2. All accessories, hardware and metal components are warranted for 2 years.
3. All Oriented Strand Board (OSB) is warranted for 2 years
4. Siding and Trim is warranted for 10 years.
5. Solar Shed windows are warranted for 1 year.
6. Cedar lumber is warranted for 15 years.
7. Preserved Pine is warranted for 10 years.
8. Redwood is warranted for 10 years.

Backyard Storage Solutions, LLC will repair, replace or pay for the affected part. In no event shall Backyard Storage Solutions, LLC pay the cost of labor or installation or any other costs related thereto. All warranties are from date of purchase. If a cash refund is paid on an affected part, it will be prorated from the date of purchase.

CONDITIONS

The warranty is effective only when:

1. The unit has been erected in accordance with the assembly instructions.
2. The unit has been properly shingled and painted or stained and reasonably and regularly maintained thereafter.
3. The failure occurs when the unit is owned by the original purchaser.
4. Backyard Storage Solutions, LLC has received the warranty registration card within thirty (30) days of purchase and notification of the failure in writing within the warranty period specified above.
5. Backyard Storage Solutions, LLC has had reasonable opportunity during the sixty (60) days following receipt of notification to inspect and verify the failure prior to commencement of any repair work.

REQUIREMENTS

Storage Buildings

To validate your warranty, it is necessary to properly maintain your Backyard Storage Solutions, LLC unit; shingle the roof and paint or solid-colored stain the siding using quality, 100% acrylic latex exterior product with a minimum of two (2) coats within thirty (30) days of assembly; caulk above all doors and all horizontal and vertical trim boards; paint and seal all exposed edges, sides and faces of siding/trim and OSB siding to include all exterior walls and all sides and all edges of doors.

Gazebos & Pergolas

To validate your warranty, it is necessary to properly maintain your Backyard Storage Solutions, LLC unit. This includes treating all of the exposed cedar and pine surfaces on your gazebo or pergola structure with an exterior grade wood preservative, an exterior oil-based semi-transparent stain, an acrylic latex exterior paint or an acrylic latex solid color exterior stain within 30 days of assembly and as needed thereafter to maintain your warranty.

Keep vegetation trimmed away from building and make sure siding panels and trim do not come in contact with masonry or cement. The minimum ground clearance for siding must be one half inch (½ inch) from concrete slab or two and one half inches (2 ½") from the ground when building is erected or constructed on a treated wood floor kit. Water from sprinklers must be kept off unit. In no event will Backyard Storage Solutions, LLC be responsible for any indirect, incidental, consequential or special damages nor for failure(s) that are caused by events, acts or omissions beyond our control including, but not limited to, misuse or improper assembly, improper maintenance (which eventually leads to rot or decay) and acts of God. Backyard Storage Solutions, LLC will not be held responsible for any labor costs incurred to construct your unit.

This warranty gives you certain specific rights that vary from state to state.

CLAIM PROCEDURE

To make a claim under this warranty, you can either call 1-888-827-9056 or email: customerservice@backyardproducts.com.

Please have ready the information below when you call or include the information in your email:

1. The model and size of the product.
2. A list of the part(s) for which the claim is made.
3. Proof of purchase of the Backyard Storage Solutions, LLC item, as shown on the original invoice or receipt.
4. Run code: found on exterior product label or assembly instructions enclosed in the product package.

All other inquiries can be mailed to:

Backyard Storage Solutions, LLC
Attn: Customer Service
1000 Ternes
Monroe, MI 48162

***WARRANTY TERMS MAY VARY OUTSIDE THE U.S.A.
IMPORTANT: This is your warranty certificate.**

10Y MV LDR: 3/20/2019