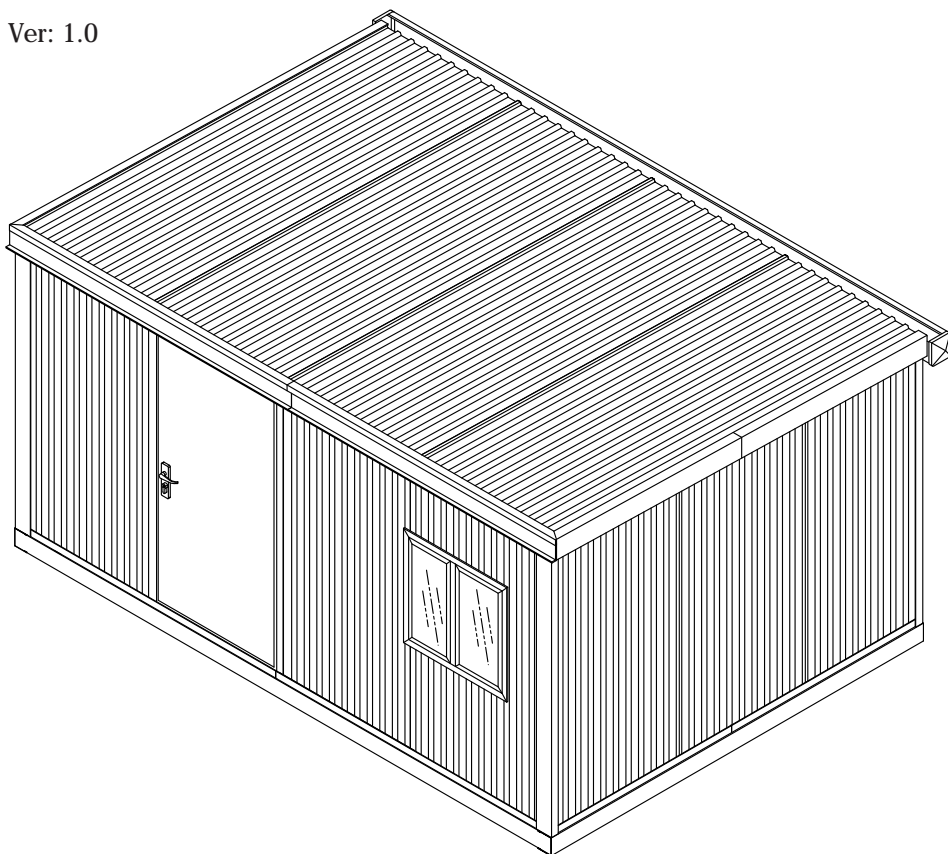


Insulated Cabin

OWNER'S MANUAL / Instructions for Assembly Size 10' x 13'

Ver: 1.0



Customer
Service Hotline
(800) 483-4674
www.duramaxbp.com

- Strong & Secure Cabin
- Quick & Easy Assembly
- Metal Cladded Insulated Walls
- Wide Door with Lock
- Easily Expandable

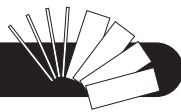
Available Kits

- Foundation Kit Available
- Modular Extension Kits Available
- Window Kits Available

Requires two people and takes 4-5 hours for Installation.

Call us for any missing or damaged parts.
Do not return to the store.

Parts List



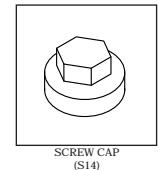
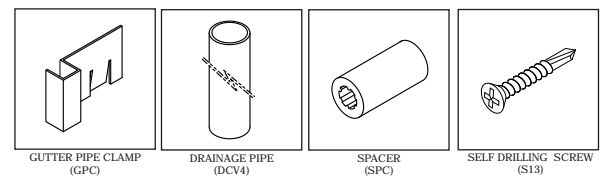
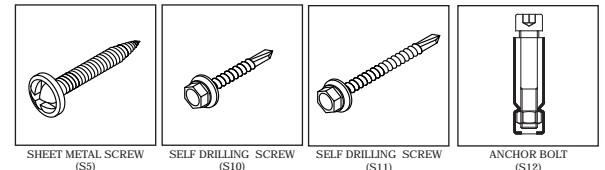
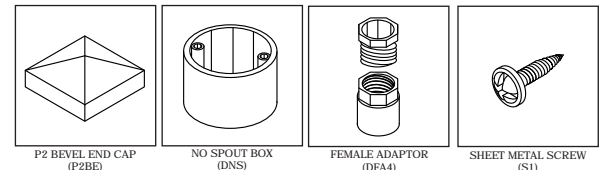
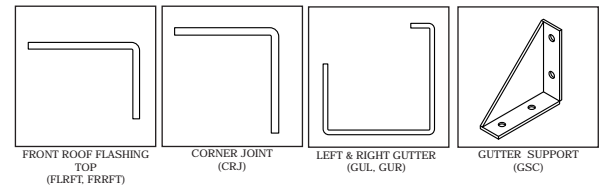
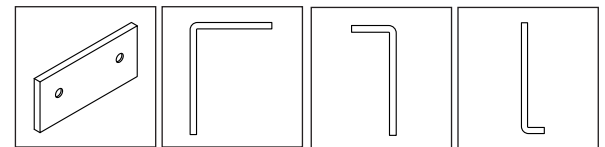
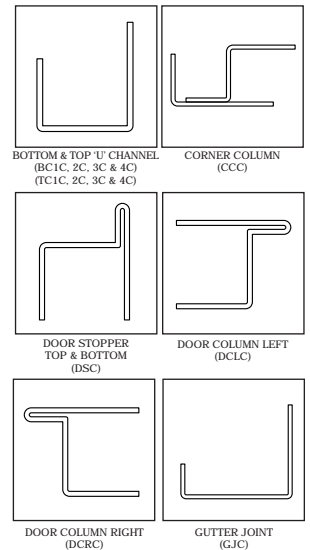
Note: Check all parts prior to installation.

ACCESSORIES

CODE	DESCRIPTION	QTY
BC1C	BASE 'U' CHANNEL FRONT LEFT / BACK RIGHT	2
BC2C	BASE 'U' CHANNEL FRONT RIGHT / BACK LEFT	2
BC3C	BASE 'U' CHANNEL SIDE	2
BC4C	BASE 'U' CHANNEL SIDE	2
TC1C	TOP 'U' CHANNEL FRONT LEFT / BACK RIGHT	2
TC2C	TOP 'U' CHANNEL FRONT RIGHT / BACK LEFT	2
TC3C	TOP 'U' CHANNEL SIDE	2
TC4C	TOP 'U' CHANNEL SIDE	2
CCC	CORNER COLUMN	4
DCLC	DOOR COLUMN LEFT	1
DCRC	DOOR COLUMN RIGHT	1
DSC	DOOR STOPPER TOP / BOTTOM	2
CJC	CENTER JOINT TOP 'U' CHANNEL	4
GSC	GUTTER SUPPORT	4
GJC	GUTTER JOINT	1
GPC	GUTTER PIPE CLAMP	1
DSC	DOOR STOPPER TOP / BOTTOM	2
LSRFF	LEFT SIDE ROOF FLASHING FRONT	1
LSRFB	LEFT SIDE ROOF FLASHING BACK	1
RSRFF	RIGHT SIDE ROOF FLASHING FRONT	1
RSRFB	RIGHT SIDE ROOF FLASHING BACK	1
FLRF	FRONT LEFT ROOF FLASHING	1
FRRF	FRONT RIGHT ROOF FLASHING	1
FLRFT	FRONT LEFT ROOF FLASHING TOP	1
FRRFT	FRONT RIGHT ROOF FLASHING TOP	1
CRJ	CORNER JOINT	2
GUL	LEFT GUTTER	1
GUR	RIGHT GUTTER	1
DCV4	DRAINAGE PIPE	1
WA1	WALL PANEL	8
WA2	WALL PANEL	3
WA3	WALL PANEL	1
WA4	WINDOW CUT WALL PANEL	1
RPLC	ROOF PANEL LEFT	1
RPCC	ROOF PANEL CENTER	2
RPRC	ROOF PANEL RIGHT	1
DOOR	DOOR	1

CODE	DESCRIPTION	QTY
DNS	NO SPOUT BOX	1
DFA4	FEMALE ADAPTOR	1
P2BE	P2 BEVEL END CAP	2
SPC	SPACER	12
S1	DIA. 4.2 x 16mm SHEET METAL SCREW	224
S2	DIA. 4.2 x 32mm SHEET METAL SCREW	4
S5	DIA. 4.2 x 45mm SHEET METAL SCREW	14
S10	DIA. 6.2 x 45mm SELF DRILLING SCREW	20
S11	DIA. 6.2 x 70mm SELF DRILLING SCREW	22
S12	ANCHOR BOLT	32
S13	DIA. 4.2 x 16mm SELF DRILLING SCREW	8
S14	SCREW CAP	42
	SILICON CLEAR	2
	DOOR LOCK WITH SCREWS	1
	SUPER GLUE	1

PROFILES

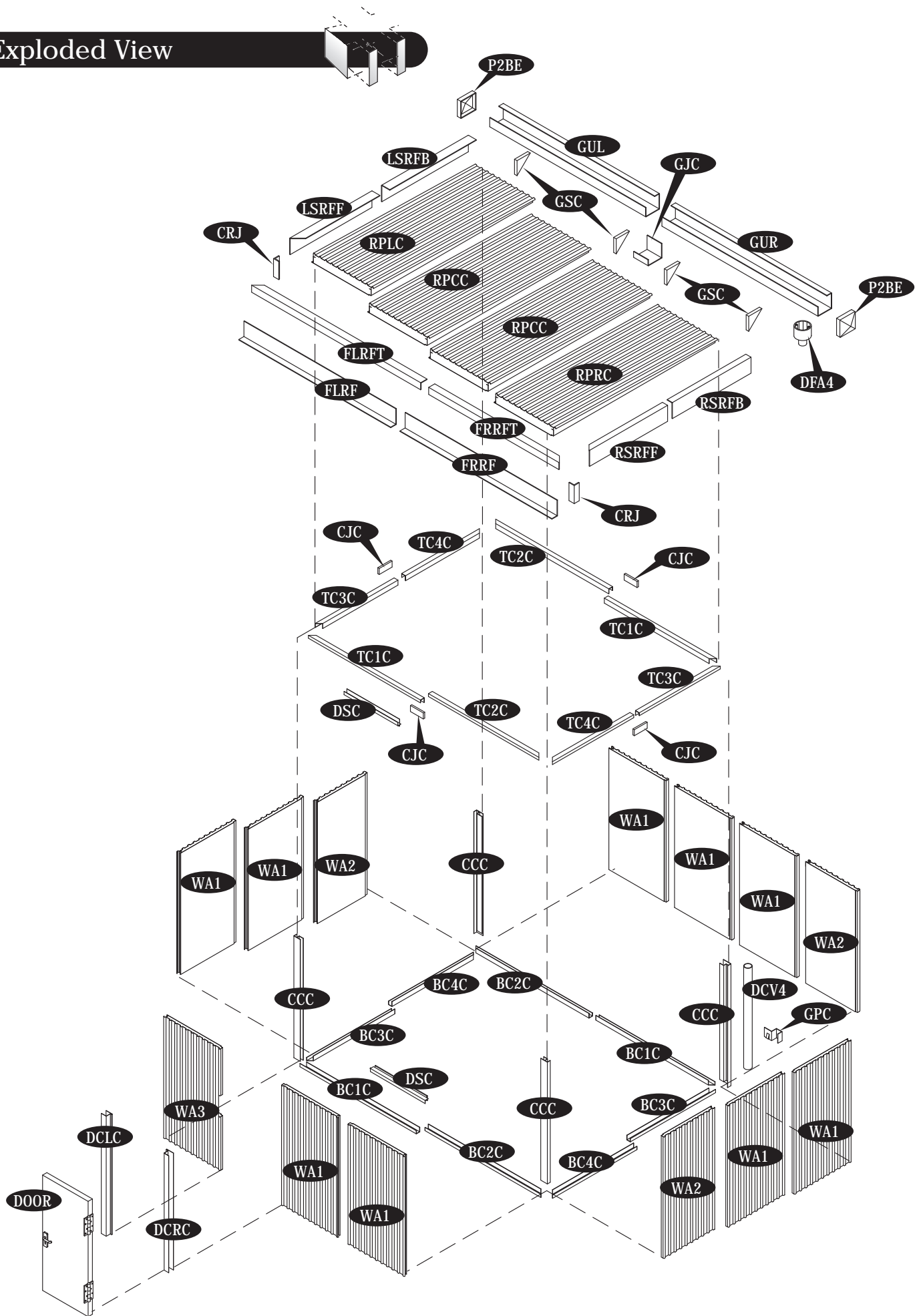


Tools You Will Need

- Hand Gloves
- Cordless Drill - Philips Head
- Screw driver - Philips Head
- Carpenter's Square
- Eye Protector
- 8' Step Ladder
- Adjustable pliers
- Level - 3ft.
- Tape Measure
- Hammer or Rubber Mallet
- Caulk Gun
- 10mm Hex. Socket Bit

**IMPORTANT: USE HAND GLOVES TO PREVENT INJURY.
USE TWO PEOPLE TO HOLD WALLS.**

Exploded View



IMPORTANT: USE HAND GLOVES TO PREVENT INJURY.

Duramax Insulated Shed Limited Seven Year Warranty

U.S. Polymer Inc. will send a replacement part free of charge, in the event of material defects and or workmanship for a period of seven years from the date of purchase.

This warranty is extended only to the original purchaser. A purchase receipt or other proof of date of original purchase will be required before warranty service is rendered. In no event shall we pay the cost of flooring, labor, installation or any other costs related thereto.

This warranty only covers failures due to defects in material or workmanship which occurs during normal use and does not extend to color change arising due to normal weathering or to damage resulting from misuse or neglect, commercial use, failure to follow assembly instructions and the owner's manual (including proper anchoring of the shed), painting, forces of nature and other causes which is beyond our control.

Claims under this warranty must be made within the warranty period by calling 1-800-483-4674 or mail in a dated sales slip and clear photograph of the part to:

U.S. Polymers, Inc.
6915 Slauson Avenue
Commerce, CA 90040

We reserve the right to discontinue or change components. If a component has been discontinued or is not available,

U.S. Polymers, Inc. reserves the right to substitute a component of equal quality as may be compatible.

Limits and Exclusions

There are no express warranties except as listed above. The warrantor shall not be liable for incidental or consequential damages resulting from the use of this product, or arising out of any breach of this warranty.

All express warranties are limited to the warranty period set forth above. Some states do not allow the exclusion or limitation on how long an implied warranty lasts, so the above limitations may not apply to you.

This warranty gives you specific legal rights and you may also have other rights which vary from state to state or country to country.

Note: It is important that these instructions are followed step by step.

BASE ASSEMBLY :

OPTION - 1

Cabin must be installed on a level concrete foundation.

1. To ensure a square footing on the base make the line A & B as shown in fig.1. Check the corner dimension as shown in fig.1. With a carpenter square to ensure a 90 degree angle.

OPTION - 2

Enclosed with this cabin is a Foundation kit, please follow instructions & steps in Foundation package for Foundation assembly.

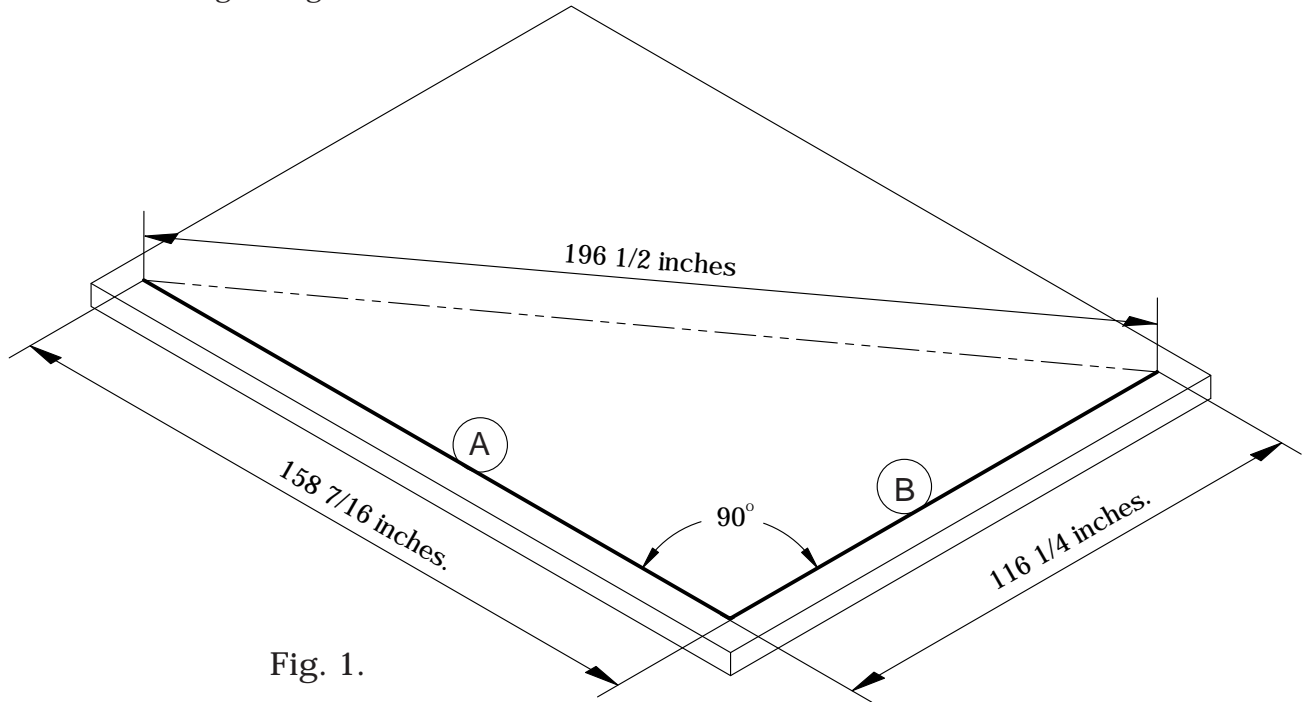


Fig. 1.

2. Mark two parallel lines C & D to A & B as shown in fig. 2.

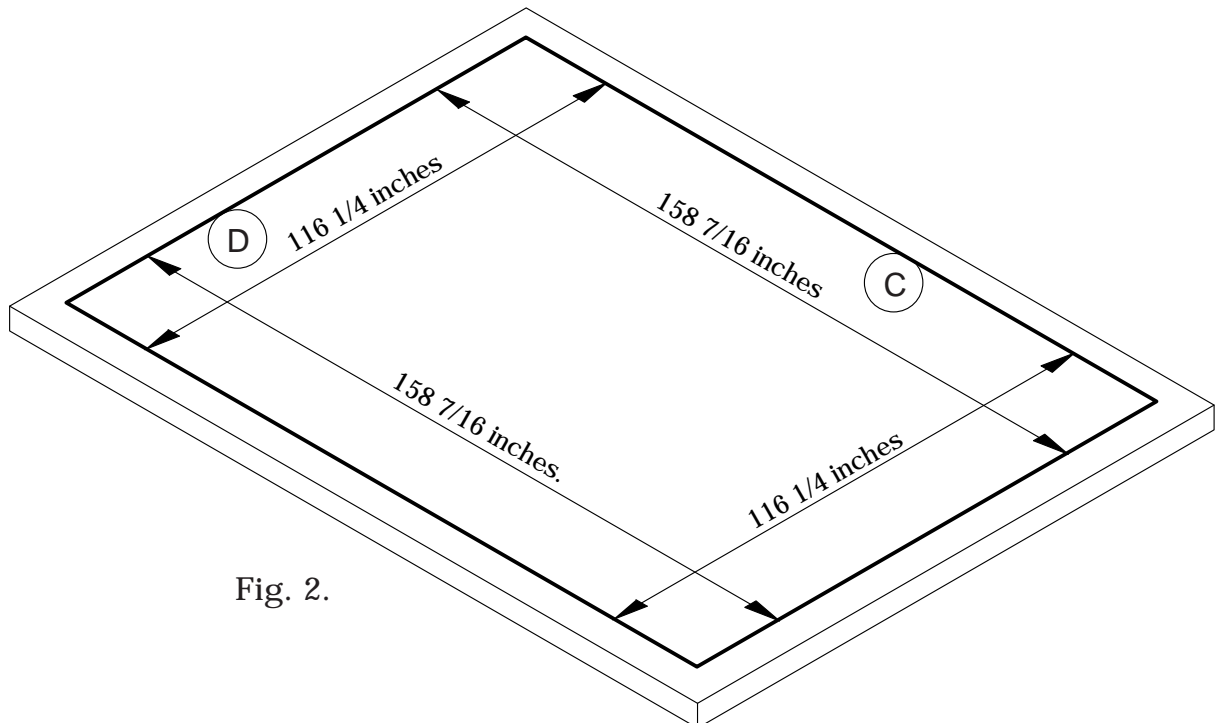


Fig. 2.



IMPORTANT: USE HAND GLOVES TO PREVENT INJURY.

3. Place the base 'U' channels on the marked lines as shown in fig.3 and ensure that all corners are 90 degree. Secure with (S12) foundation bolt.

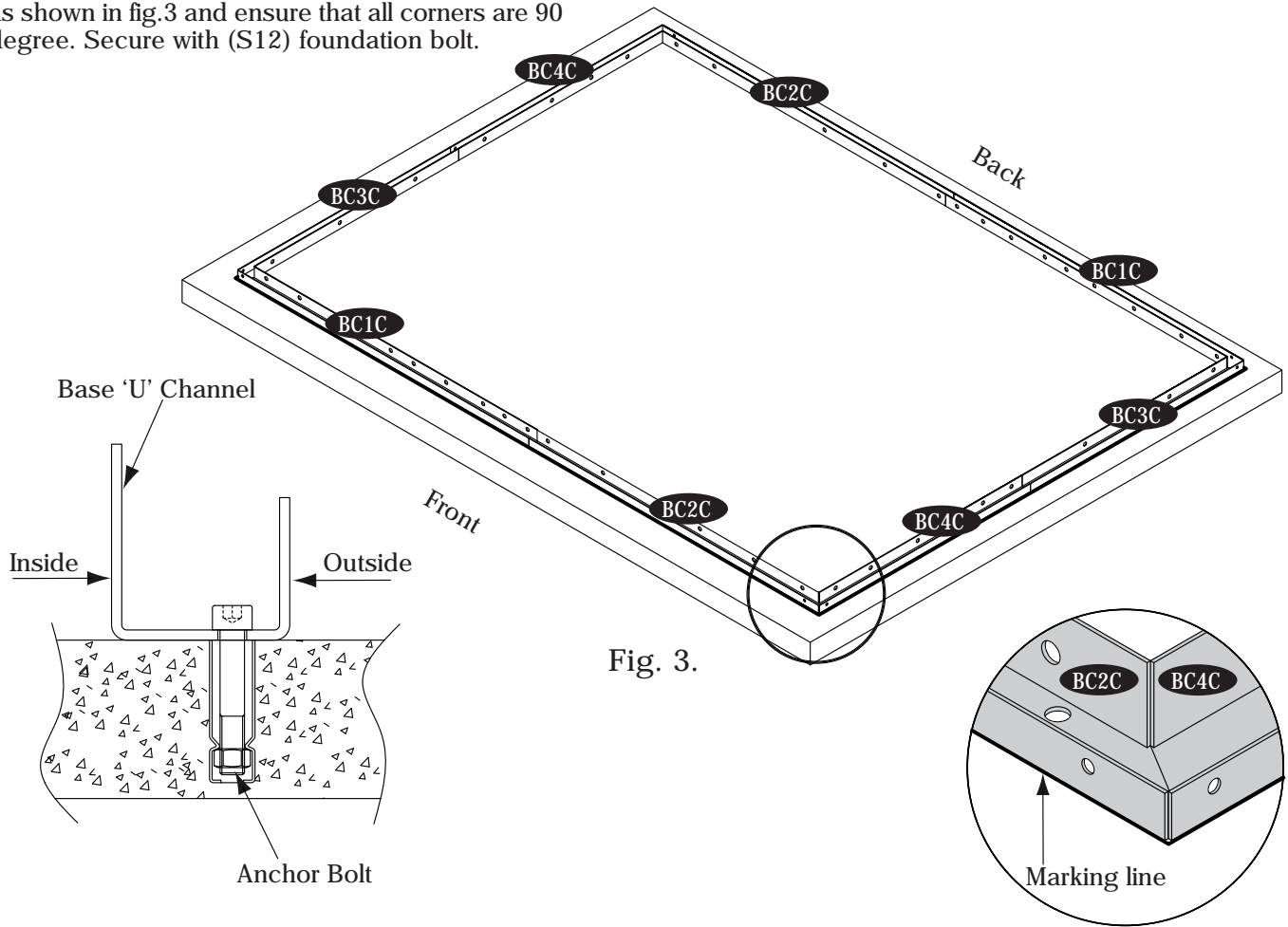


Fig. 3.

Window wall panel placing

4. The window panel (WA4) can be fixed at any position as marked in fig.4.

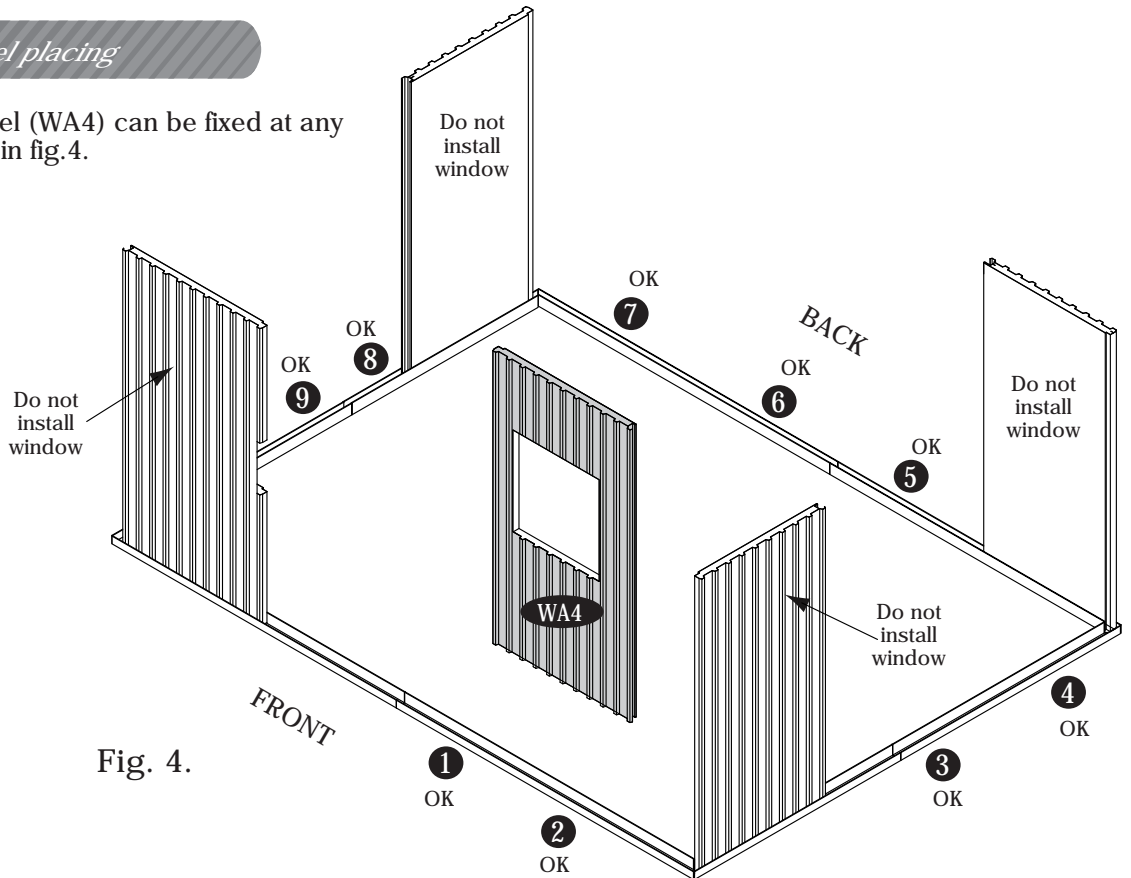


Fig. 4.

5. Insert the wall panel (WA2) into the base 'U' channel (BC4C) as shown in fig. 1&2. Make sure the panel edge position as shown in fig. 1&2. Edge must be touching at the corner of the base 'U' channel. See fig.3.

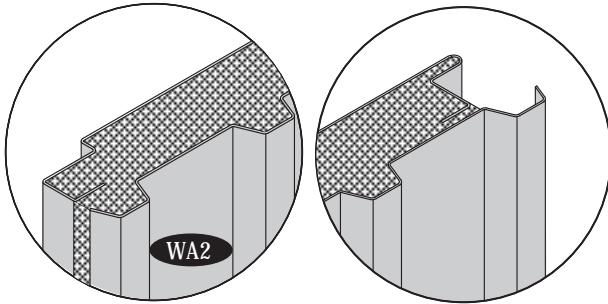


Fig.1

Fig.2

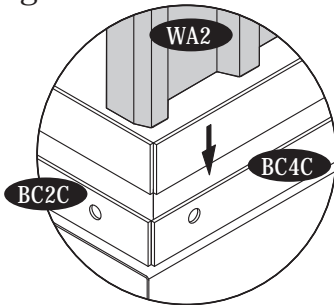
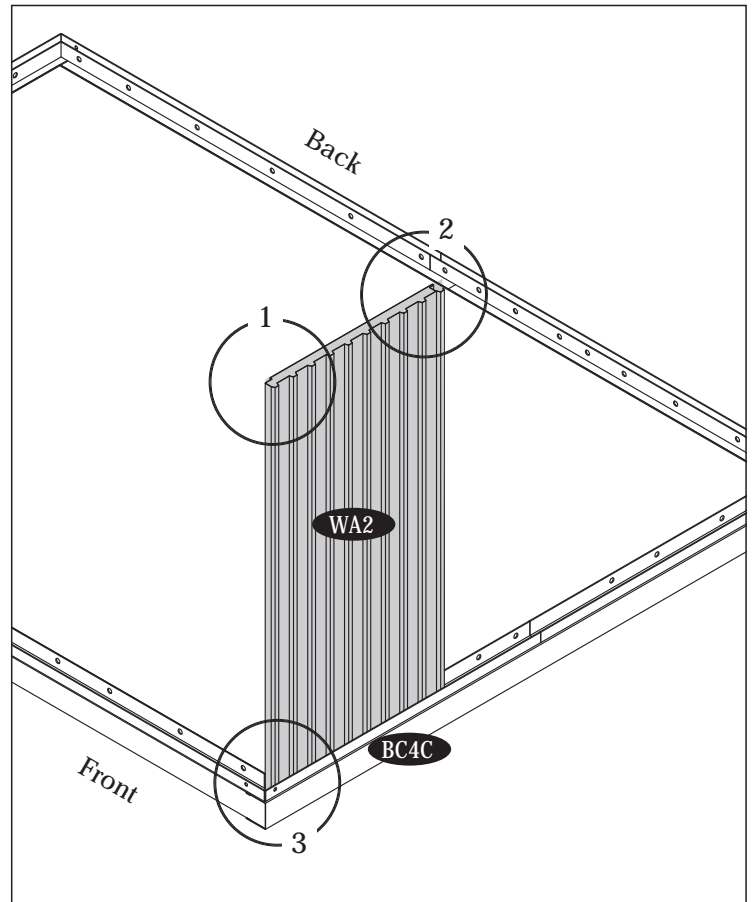


Fig.3



6. Slide the corner column (CCC) into the wall panel edge. See fig.1. Line up the holes with base 'U' channel and secure with (S1) screws from out side. See fig.2. Make sure the wall panel is fully inserted into the column. See fig. (Top view)

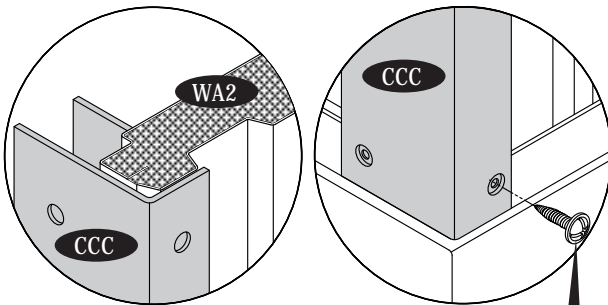
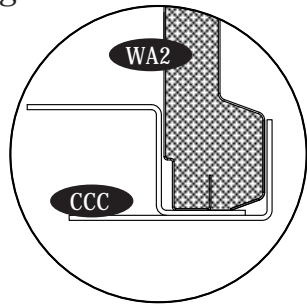
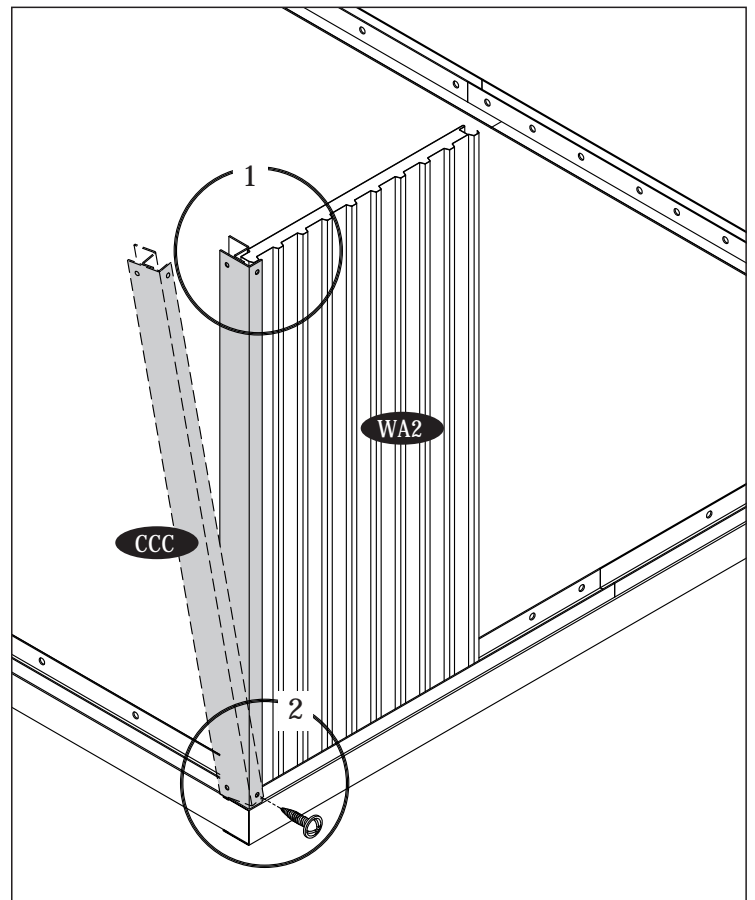


Fig.1

Fig.2



Top View



IMPORTANT: USE HAND GLOVES TO PREVENT INJURY.
USE TWO PEOPLE FOR INSTALLATION.

7. Secure the wall panel with base 'U' channel by (S1) screws from inside.

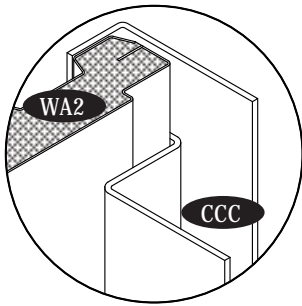


Fig.1

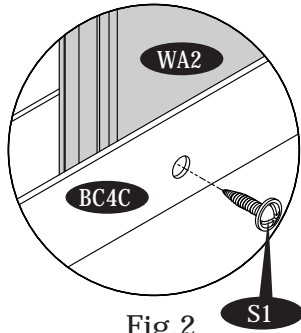
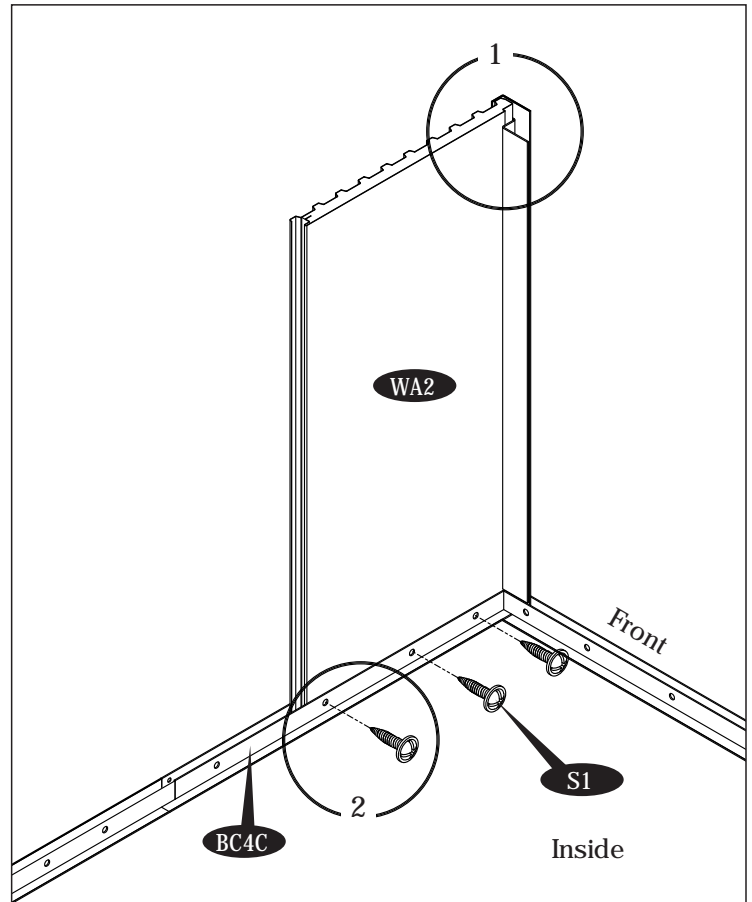
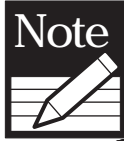


Fig.2



8. Insert the wall panel (WA1) into the base 'U' channel (BC2C), then slide into column as shown in fig.1. Make sure the panel edges must be as shown in fig.1,2&3. Secure the column with base channel by (S1) screw from outside. See fig.4.



Note *The wall panel must be inserted fully into the column. See top view*

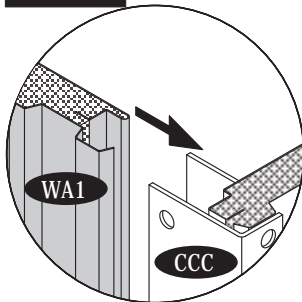


Fig.1

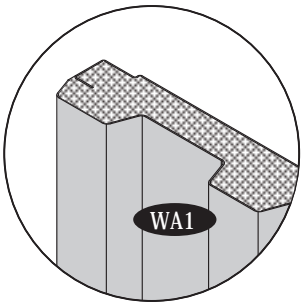


Fig.2

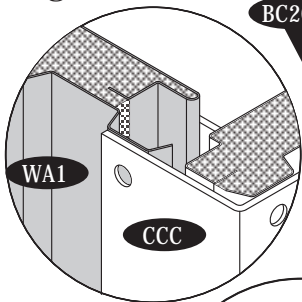


Fig.3

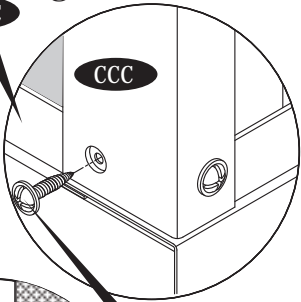
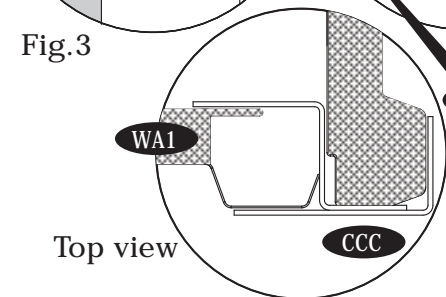
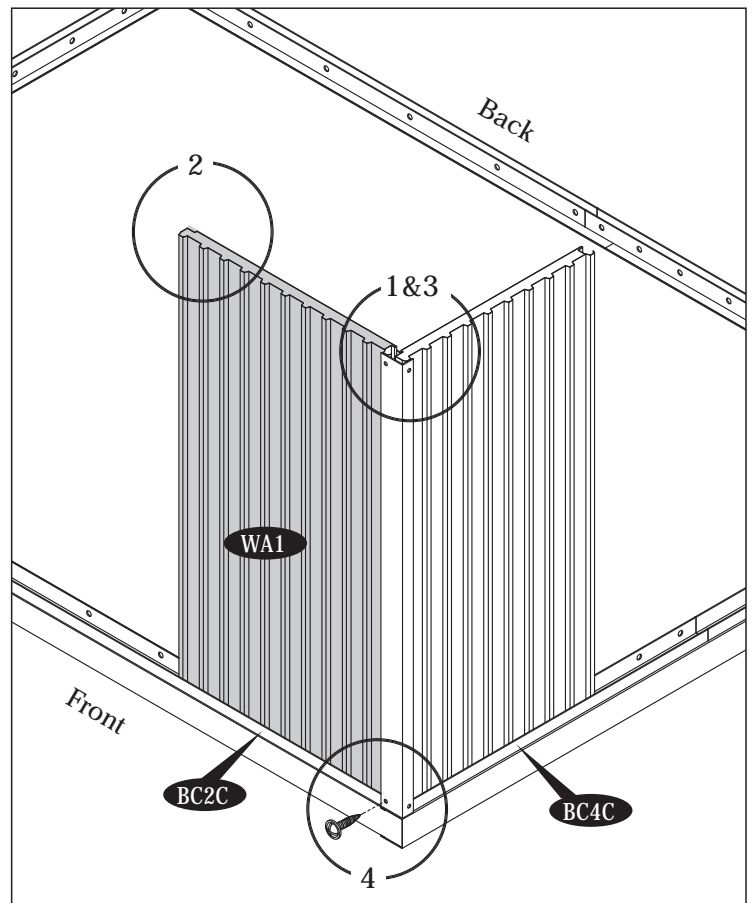


Fig.4



Top view



**IMPORTANT: USE HAND GLOVES TO PREVENT INJURY.
USE TWO PEOPLE FOR INSTALLATION.**

9. Insert the wall panel (WA1) into the base 'U' channel (BC2C) as follow in fig.1,2,3&4.

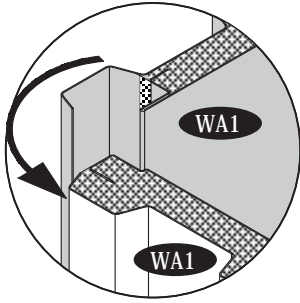


Fig.1

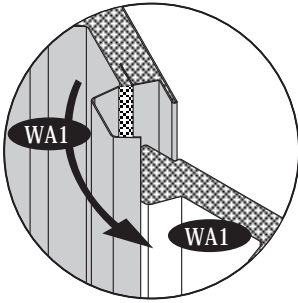


Fig.2

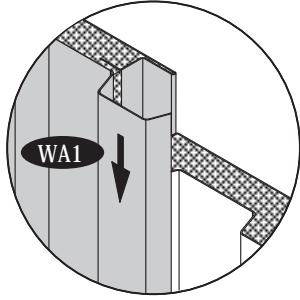


Fig.3

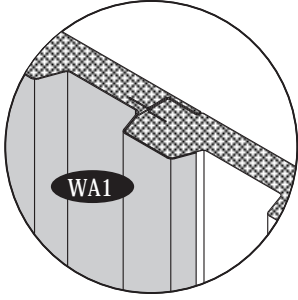


Fig.4

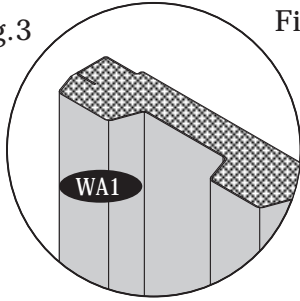
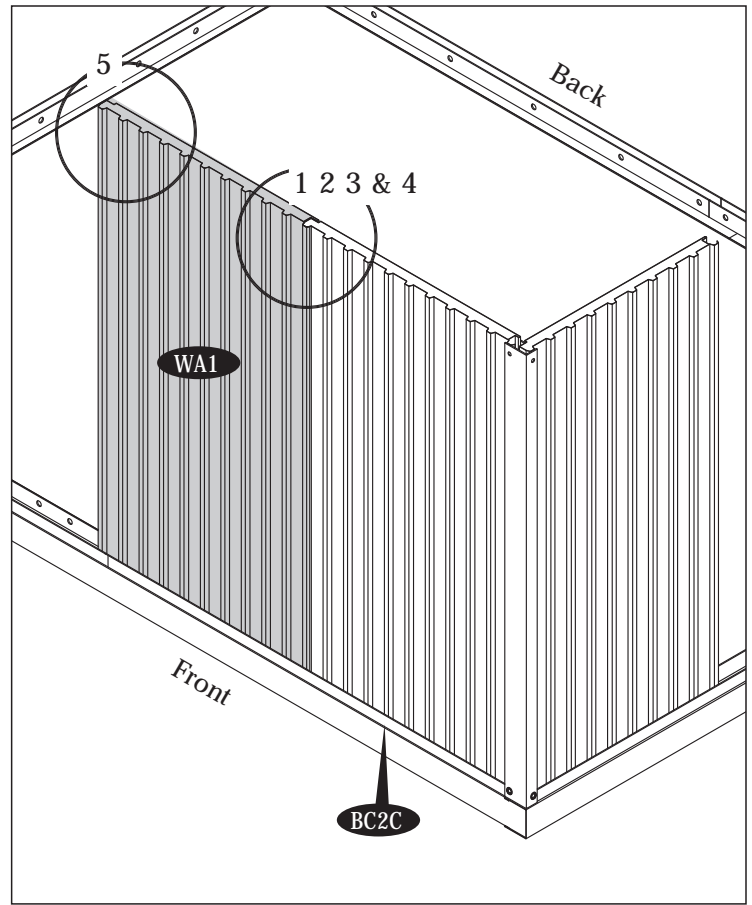


Fig.5



10. Insert the door column (DCRC) in the base 'U' channel as well as with wall panel (WA1) See fig.1&2.

The bottom of the door column should be in between the 'U' channel and wall panel. See fig.2. Secure the column with base 'U' channel by (S1) screws from inside. See fig.3.

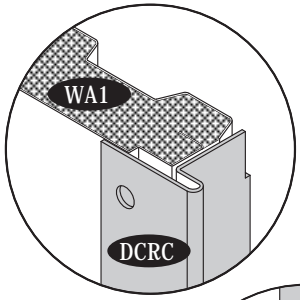


Fig.1

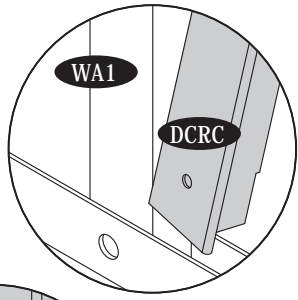


Fig.2

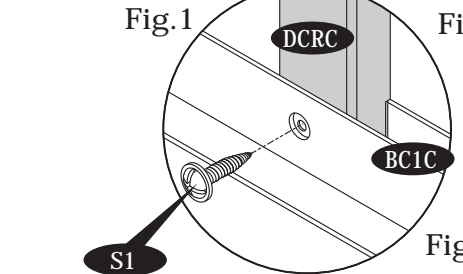
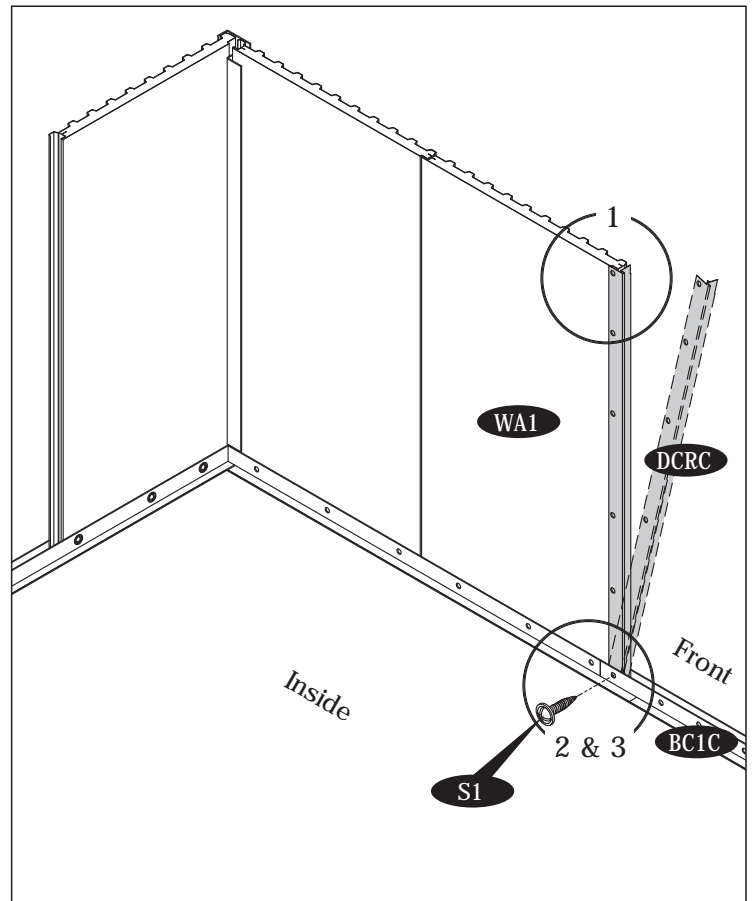
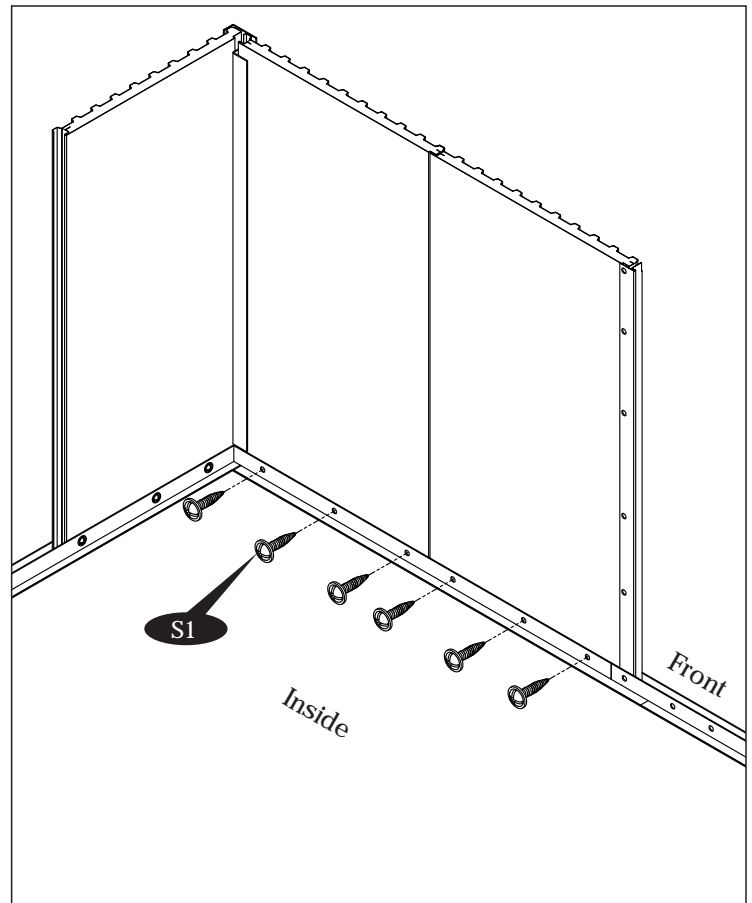
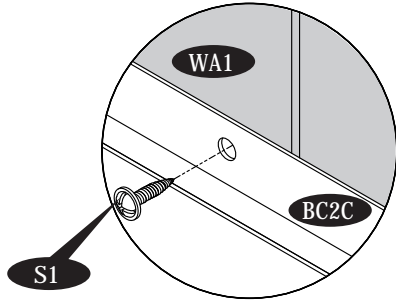


Fig.3

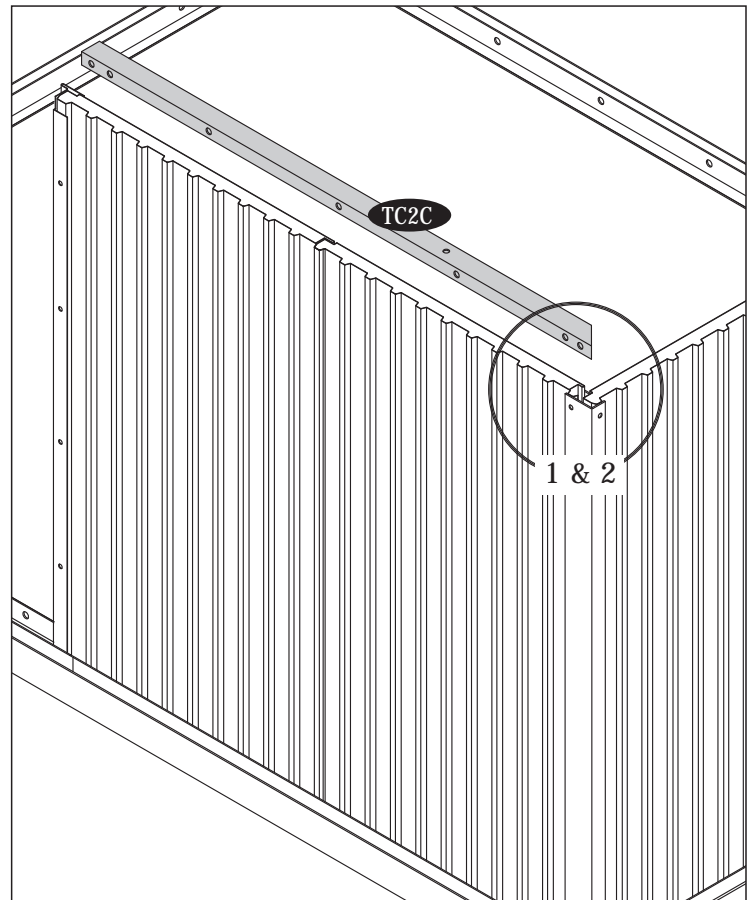
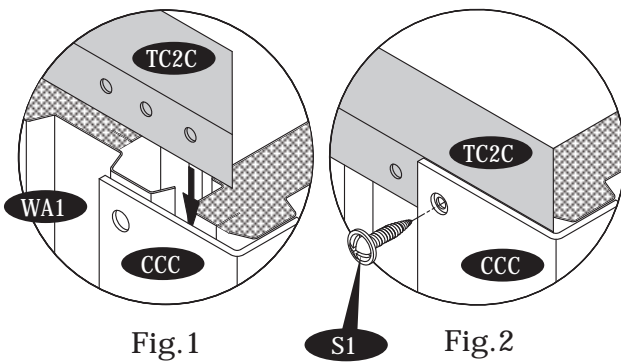


IMPORTANT: USE HAND GLOVES TO PREVENT INJURY.

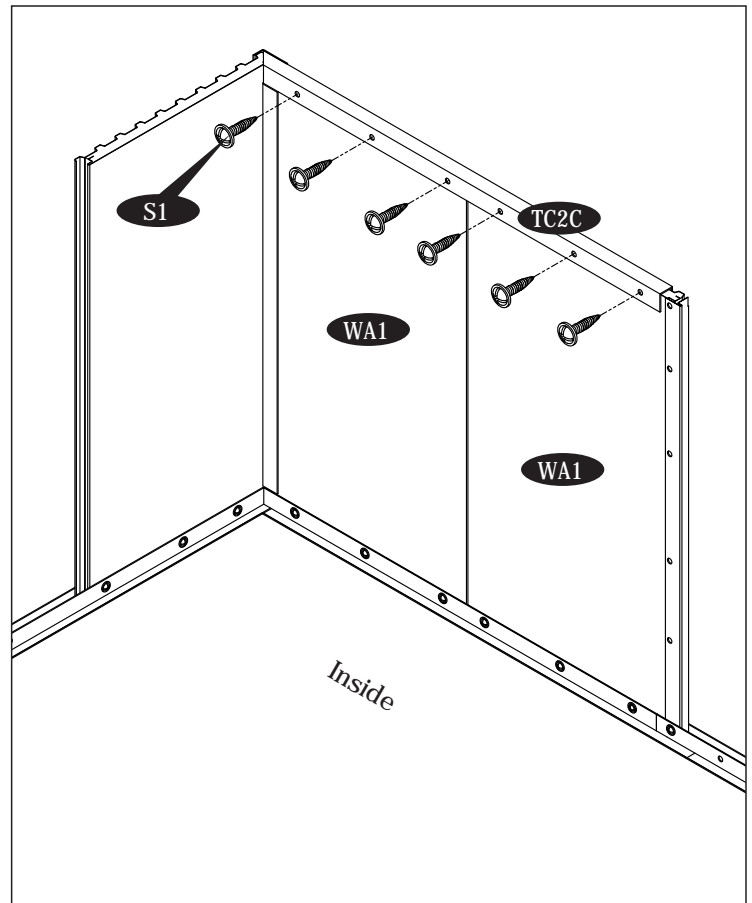
11. Secure the wall panel with base 'U' channel by (S1) screws from inside.



12. Insert the top 'U' channel (TC2C) on top of the wall panel. Make sure the edge of the top 'U' channel is inserted in between the wall panel and corner column. Line up the pre drilled holes and secure by (S1) screw with column.



13. Secure the top 'U' channel with wall panel by using (S1) screws from inside.



14. Insert the wall panel (WA1) into the wall panel (WA2) and base 'U' channel. Follow the fig.1,2,3 & 4. Make sure the panel edges as shown in fig.1&5

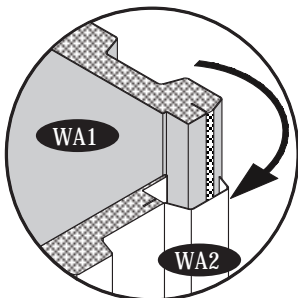


Fig.1

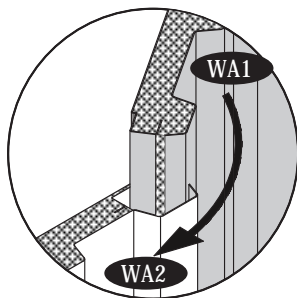


Fig.2

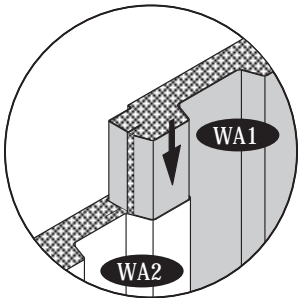


Fig.3

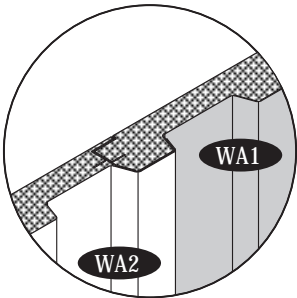


Fig.4

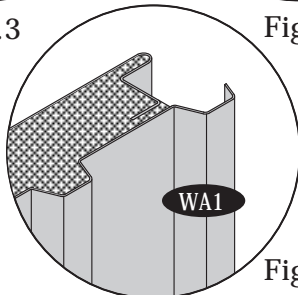
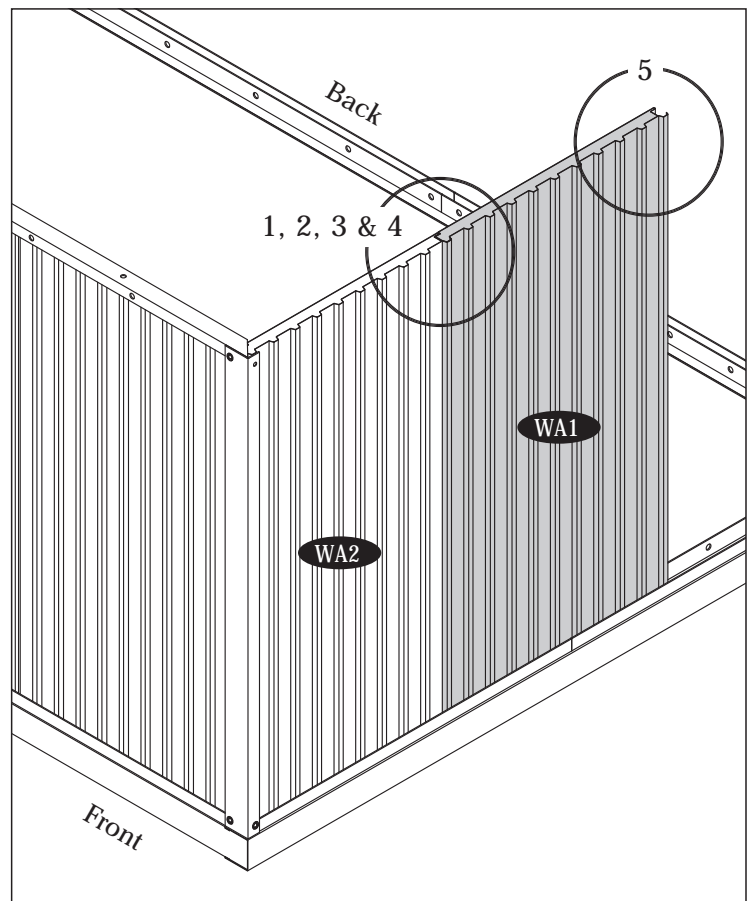


Fig.5



15. Make sure the panel joint must be as shown in fig.1. Secure the wall panel with base 'U' channel by using (S1) screws from inside.

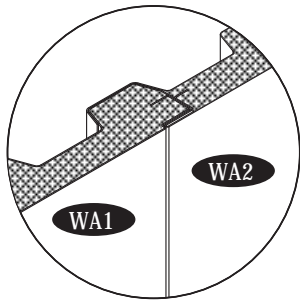


Fig.1

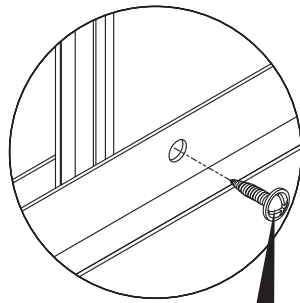
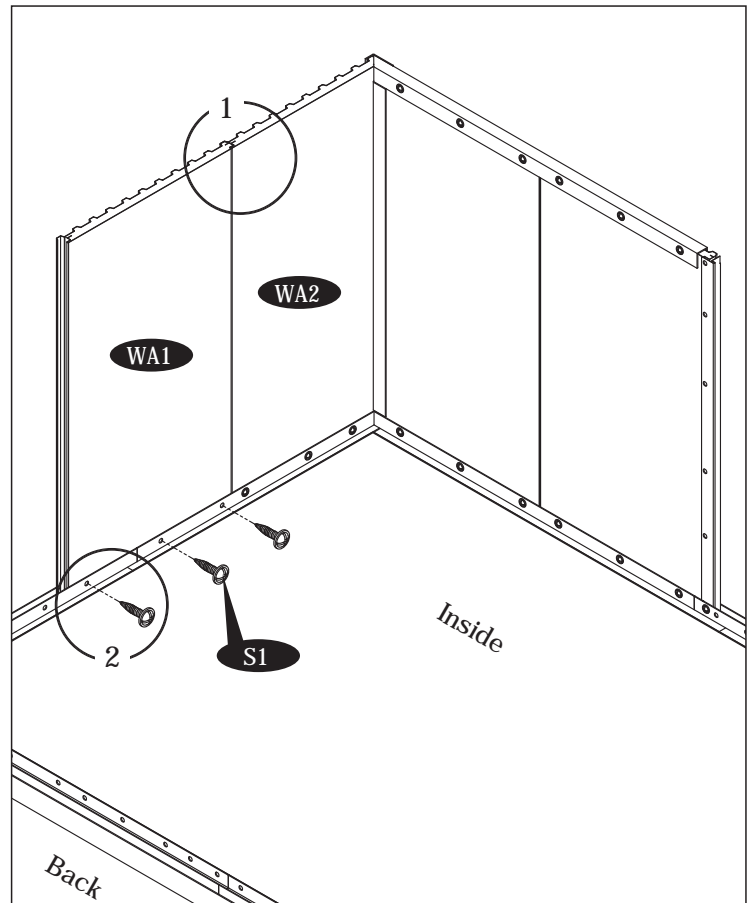


Fig.2



16. Continue the assembly of wall panel (WA1). Secure the wall panel with base 'U' channel by using (S1) screws from inside.

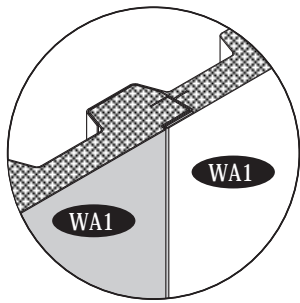


Fig.1

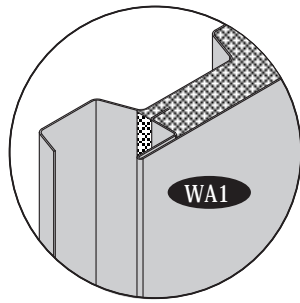


Fig.2

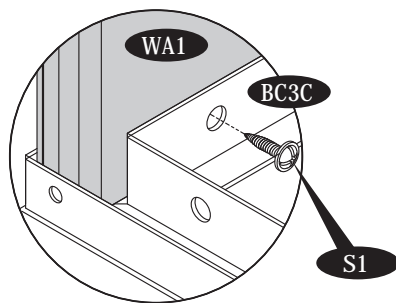
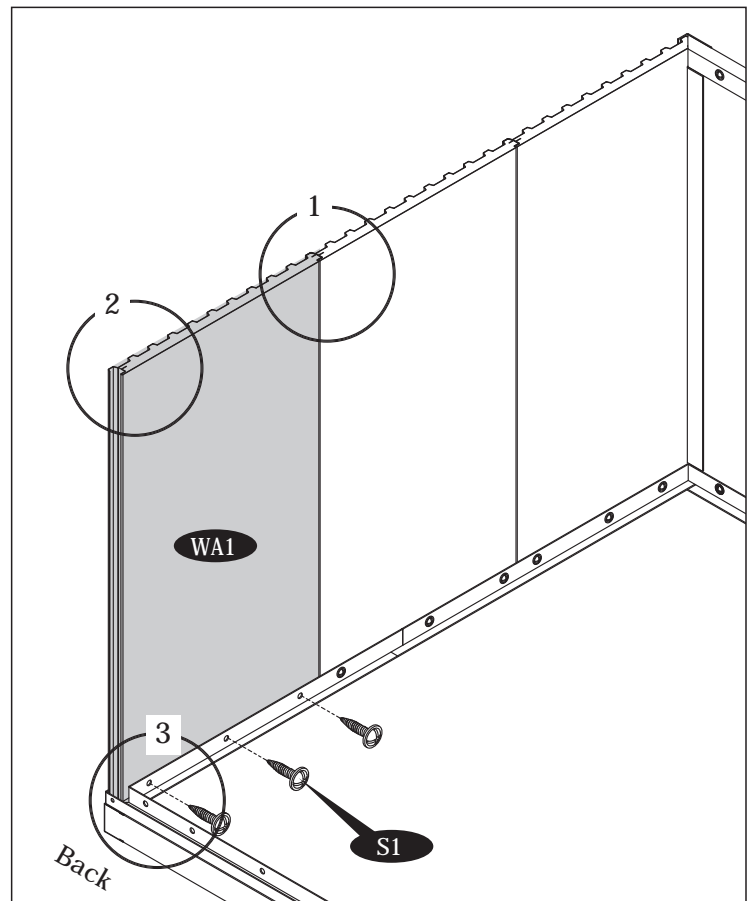
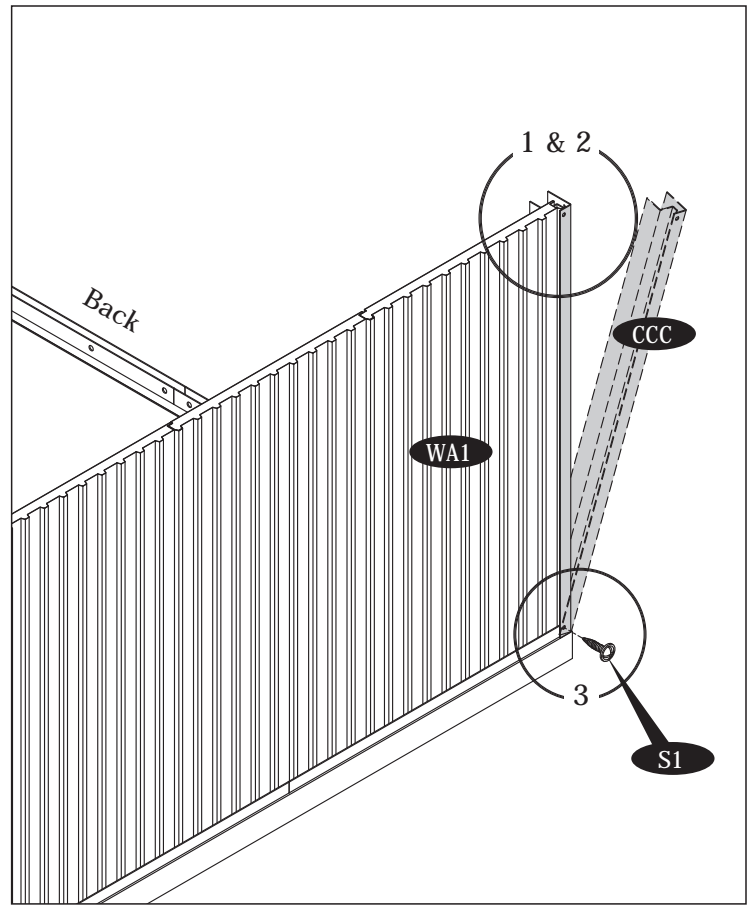
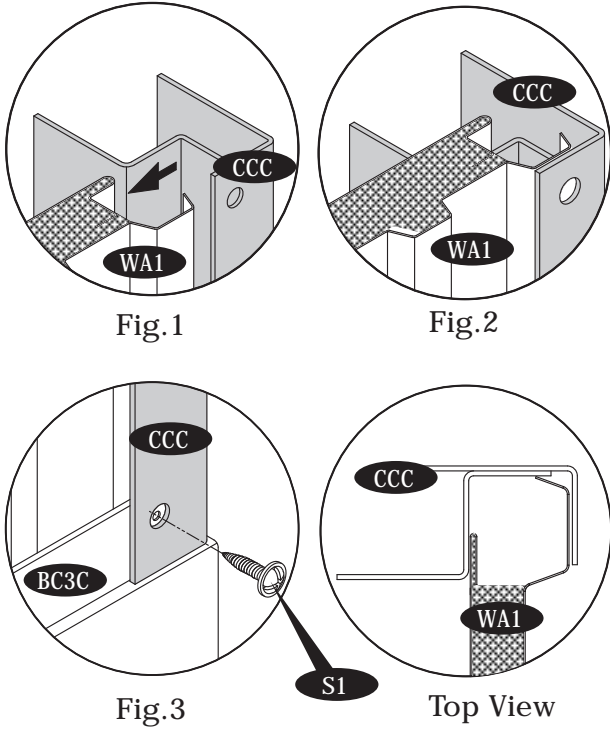


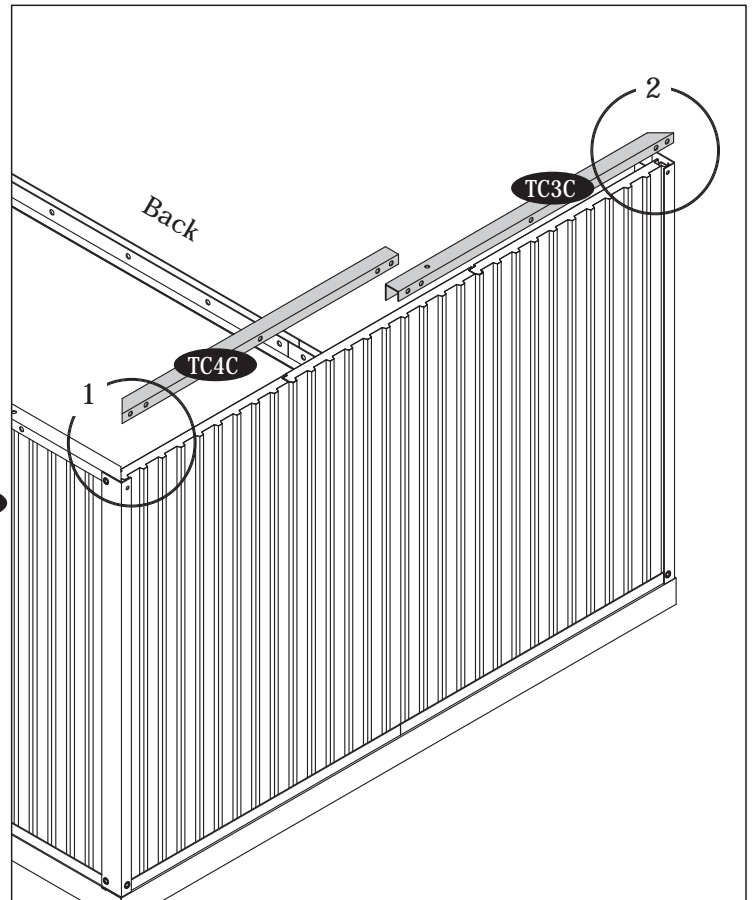
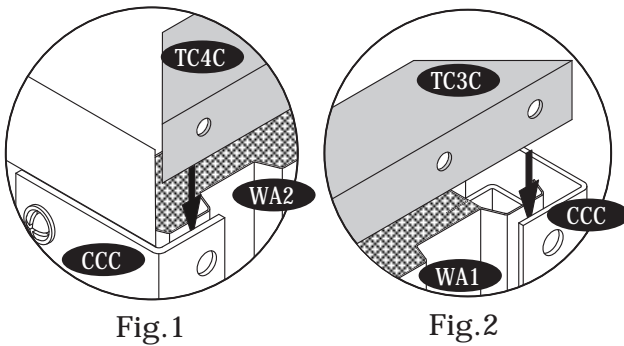
Fig.3



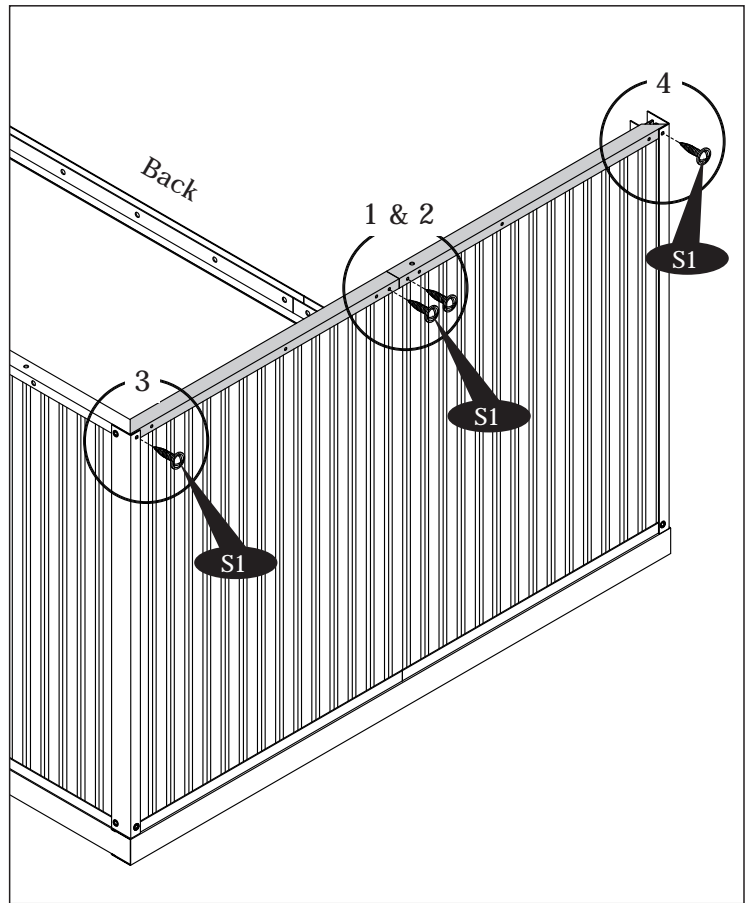
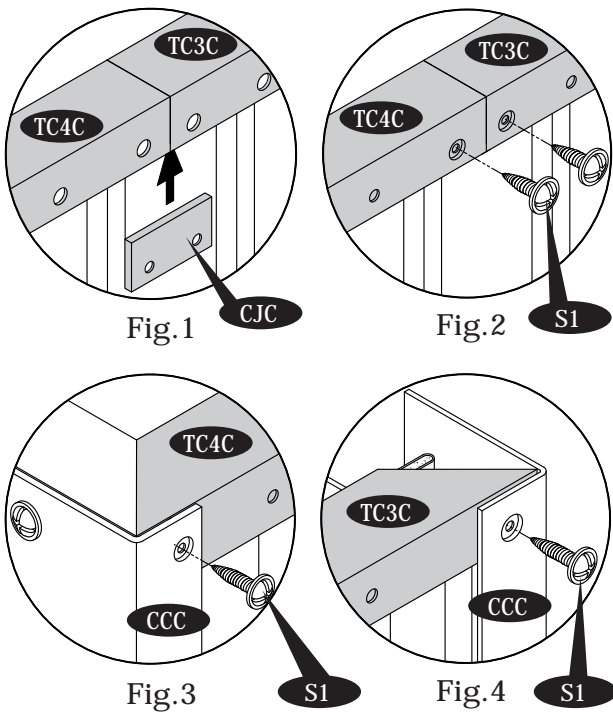
17. Slide the corner column (CCC) into the wall panel edge. See fig.1&2. Lineup the holes with base 'U' channel and secure with (S1) screws from out side. See fig.3. Make sure the wall panel must be inserted fully into the column. See top view.



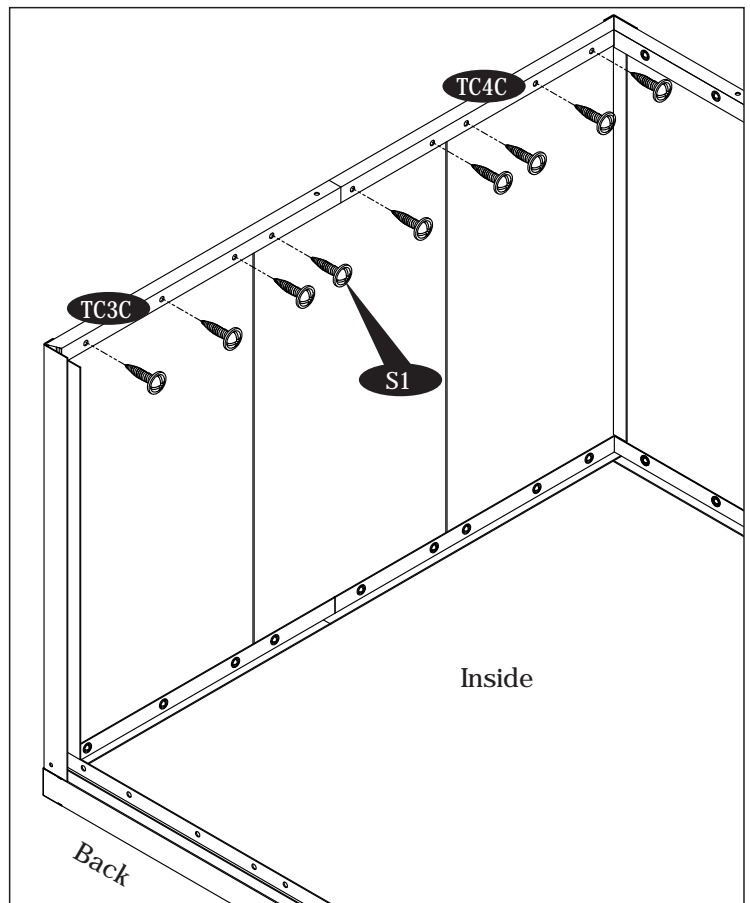
18. Insert the top 'U' channel (TC4C, TC3C) on top of the wall panel. Make sure the edges of the top 'U' channel must be inserted in between the wall panel and corner column. See fig.1&2.



19. Insert the center joint (CJC) in between the top 'U' channel (TC4C & TC3C) and wall panel. See fig.1. Line up the holes with top 'U' channel and secure with (S1) screws. See fig.2. Line up the top 'U' channel edge hole with corner column and secure with (S1) screws at both ends. See fig.3 & 4.



20. Secure the top 'U' channel (TC3C & TC4C) with wall panels by using (S1) screws from inside.



21. Insert the wall panel (WA2) into the base 'U' channel and slide into the corner column. See fig. 1&2. Make sure the wall panel must be inserted fully into the corner column. See top view. Secure the corner column (CCC) to the base 'U' channel (BC1C) by (S1) screws from outside. See fig.3.

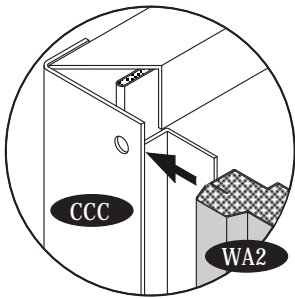


Fig.1

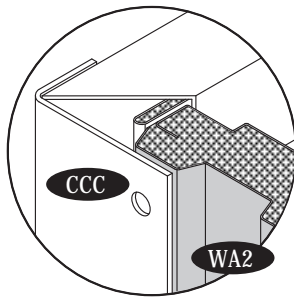


Fig.2

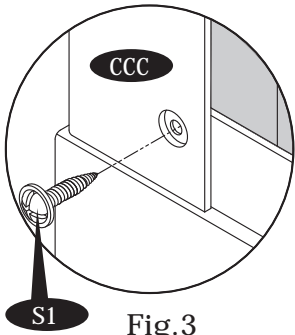
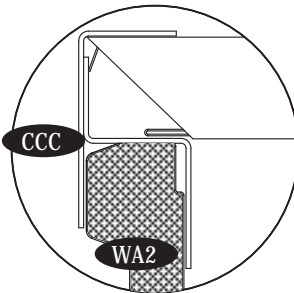
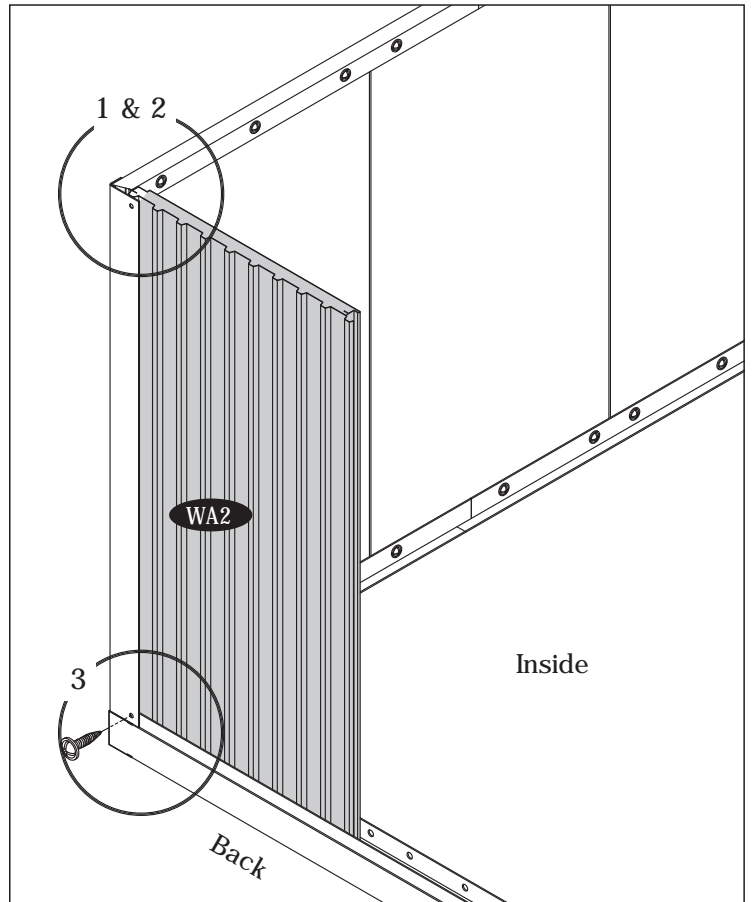


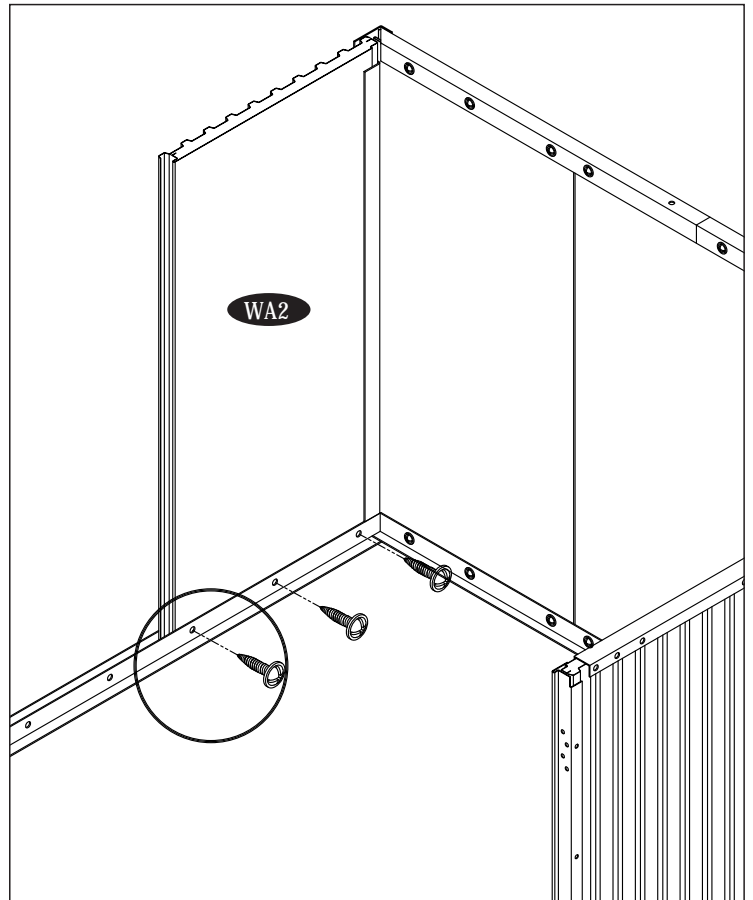
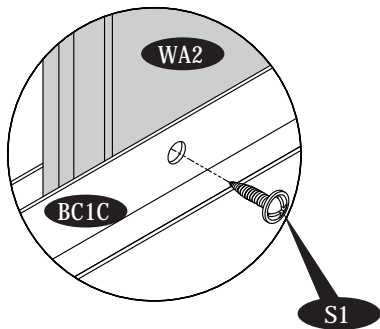
Fig.3



Top View



22. Secure the wall panel (WA2) with base 'U' channel by (S1) screws from inside.



23. Insert the wall panel (WA1) into the base 'U' channel as follow fig.1,2,3 & 4. Make sure the panel edge position. See fig.5. The panel must be close to each other as fig.4.

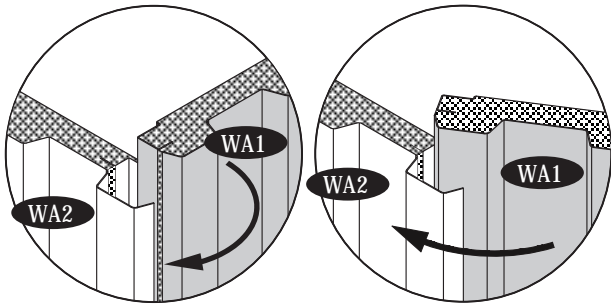


Fig.1

Fig.2

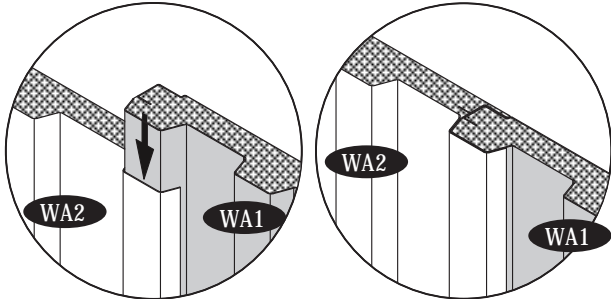


Fig.3

Fig.4

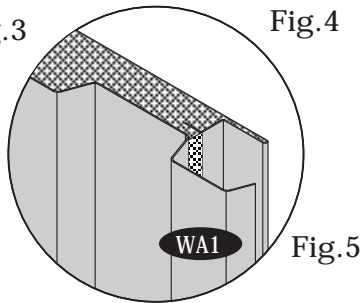
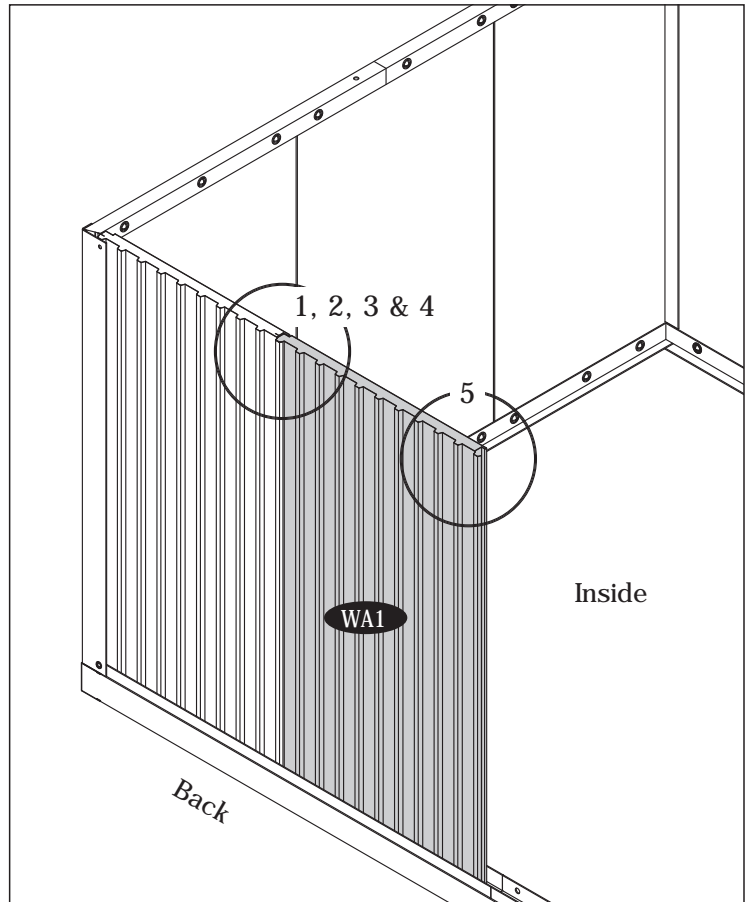
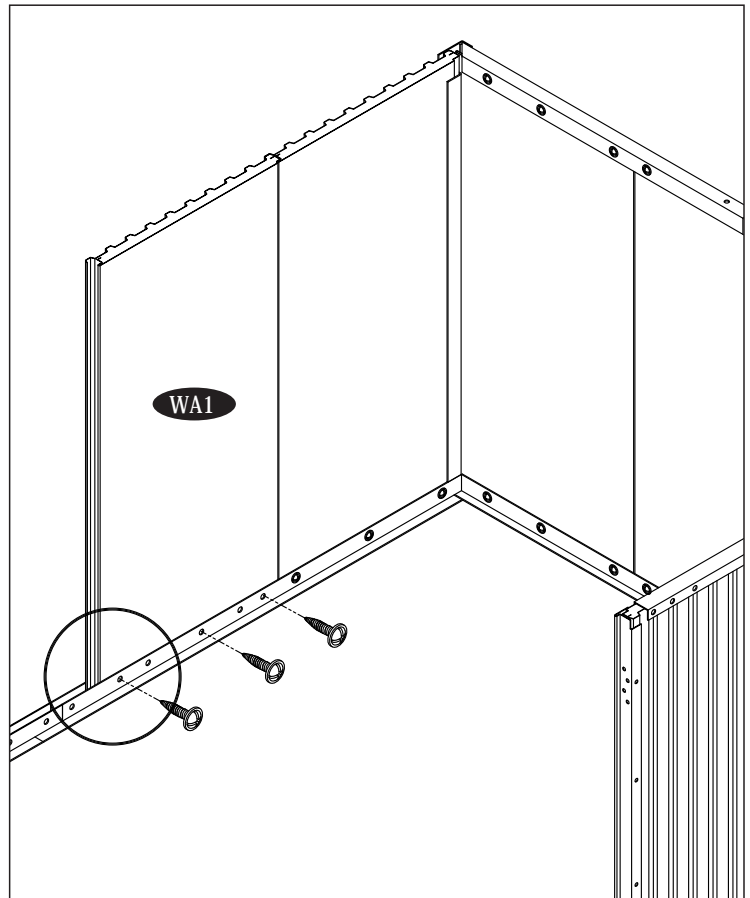
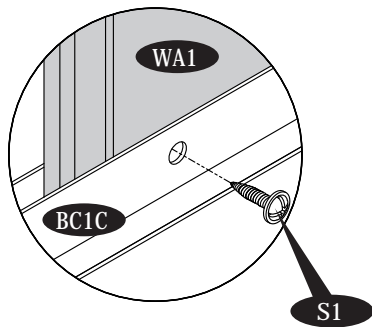


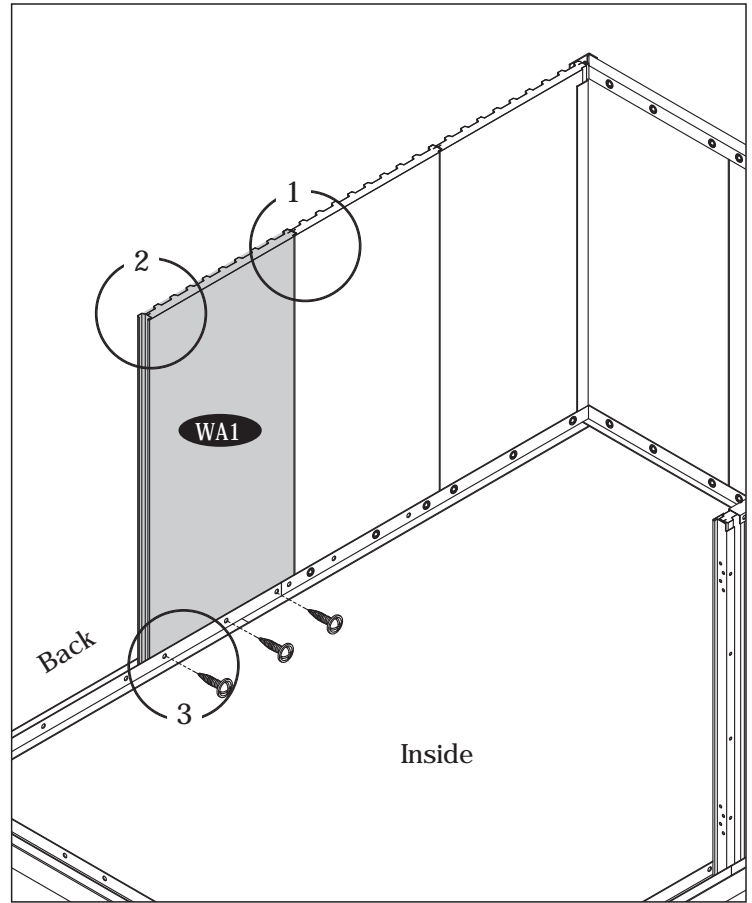
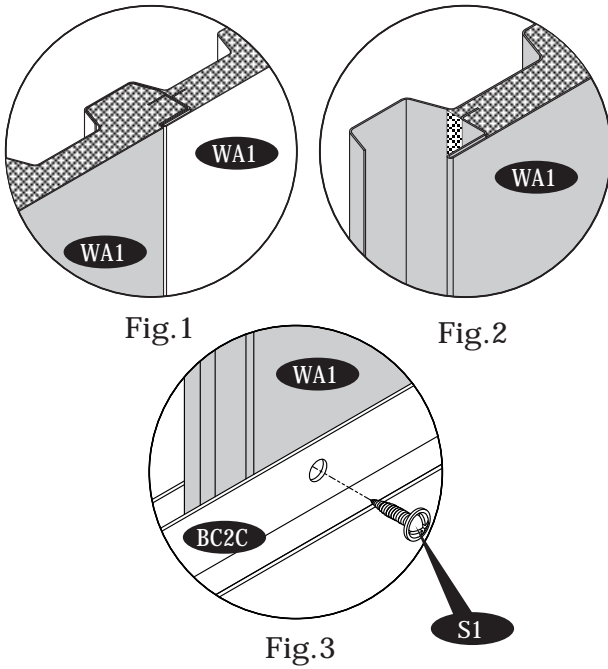
Fig.5



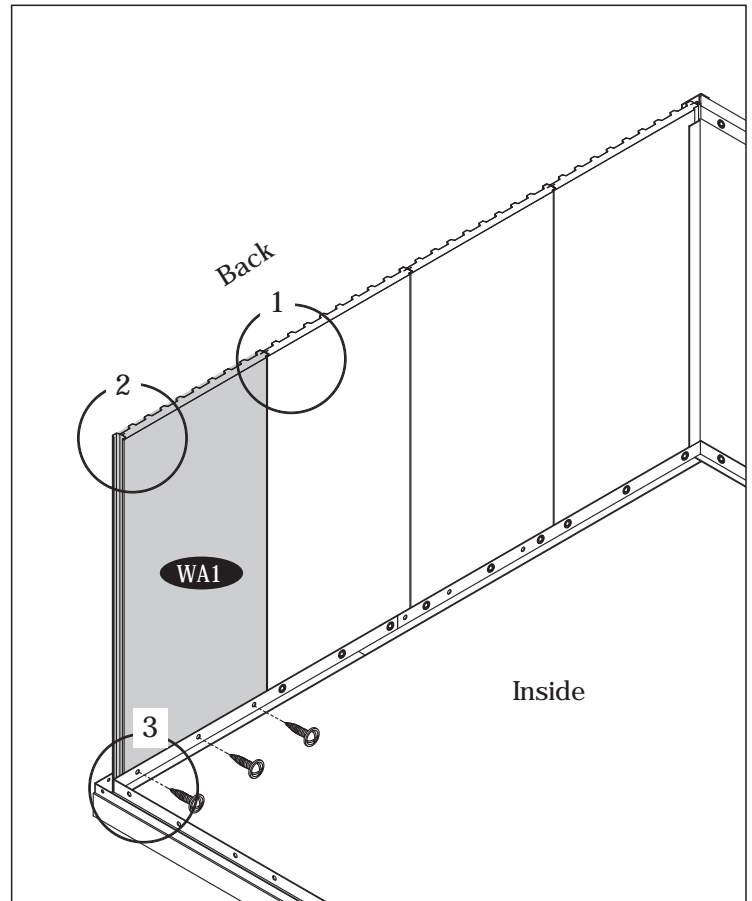
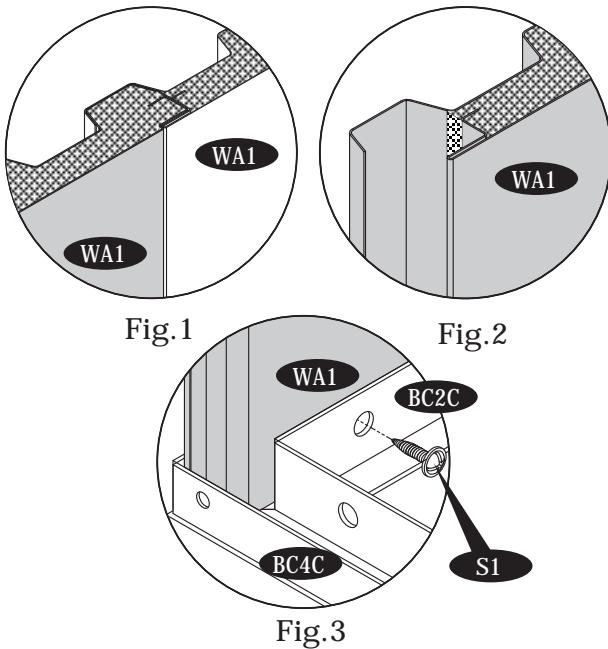
24. Secure the wall panel (WA1) with base 'U' channel (BC1C) by using (S1) screws from inside.



25. Insert the wall panel (WA1) into the base 'U' channel as before. Make sure the joining the wall panel must be very closed as fig.1. And also the position fig.2. Secure the wall panel with (S1) screws. See fig.3.



26. Insert the wall panel (WA1) into the base 'U' channel as before. Make sure the joining the wall panel must be very closed as fig.1. and also the position fig.2. Secure the wall panel with (S1) screws. See fig.3.



27. Insert the corner column (CCC) to the wall panel edge by sliding. See fig.1. Make sure the corner column must be touching the wall panel. See fig.2. Line up the pre drilled holes with base 'U' channel (BC2C) and secure (S1) screw. See fig.3.

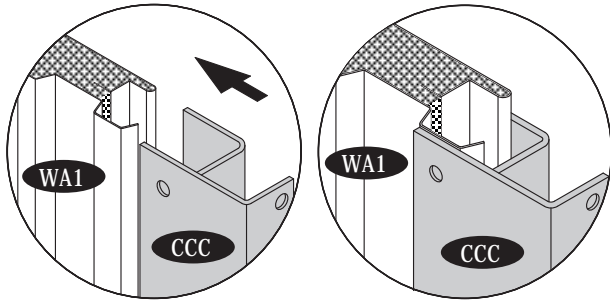


Fig.1

Fig.2

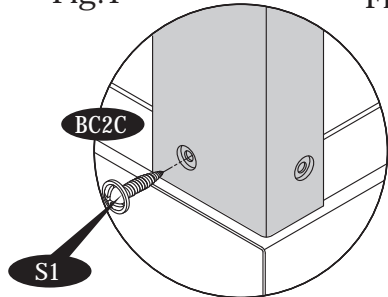
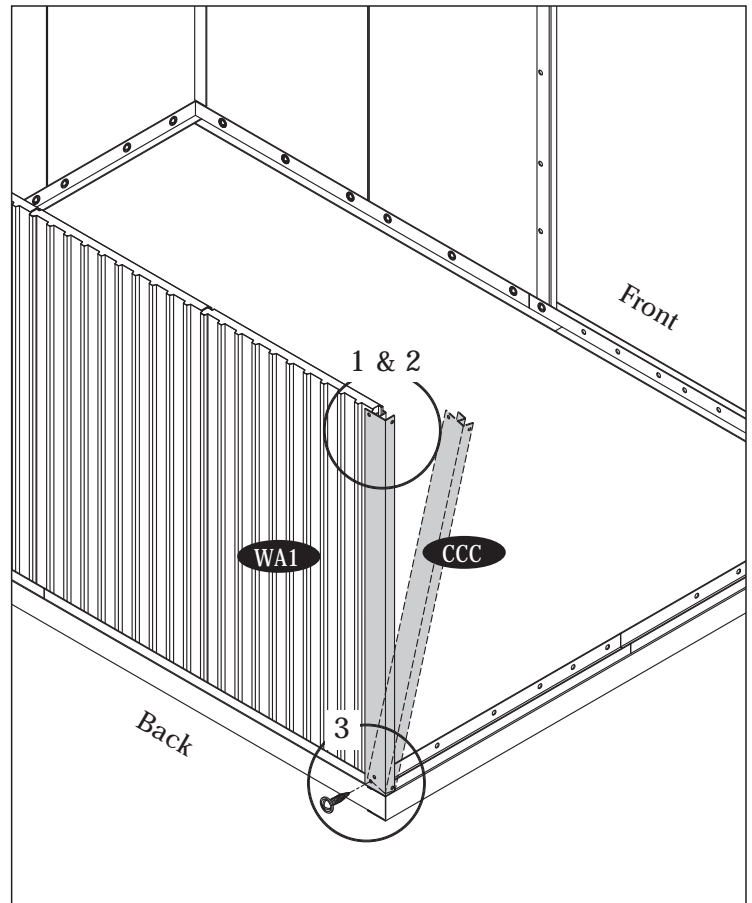


Fig.3



28. Insert the top 'U' channel (TC1C & TC2C) on top of the wall panel. The 'U' channel edges will be inserted in between the corner column & wall panels.

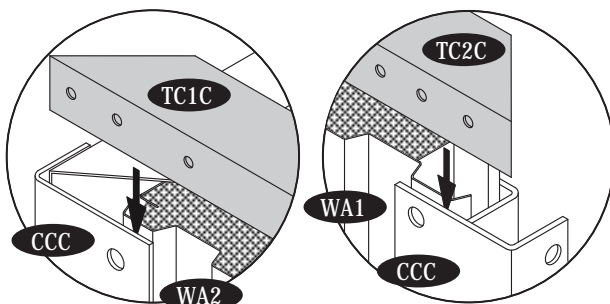
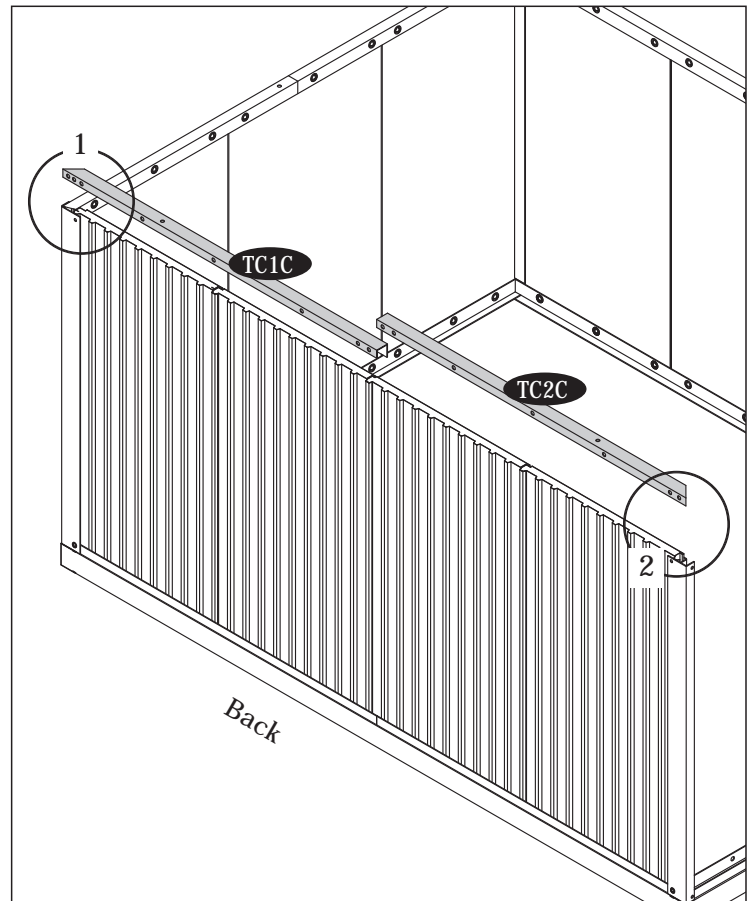
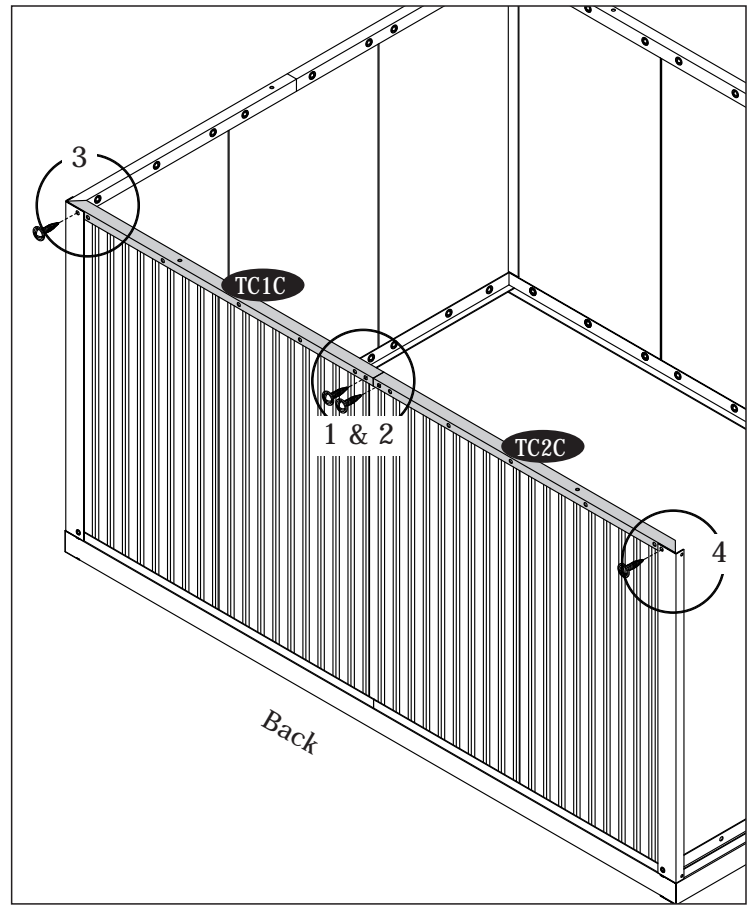
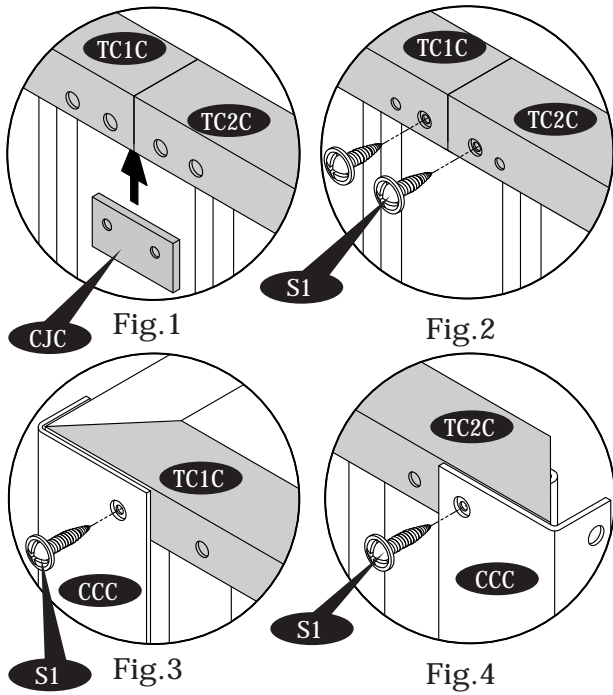


Fig.1

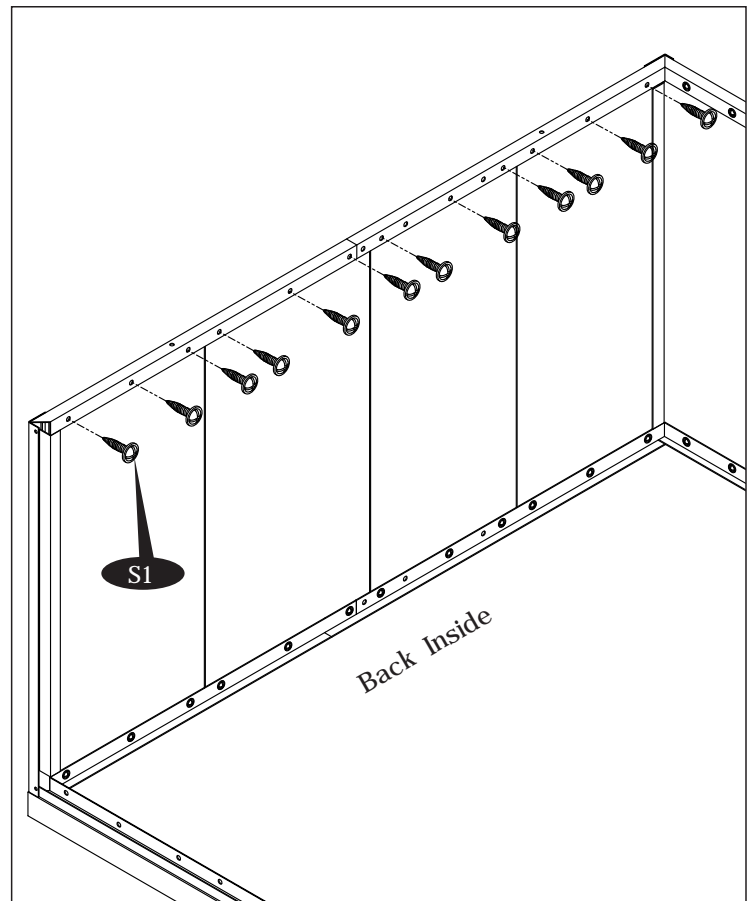
Fig.2



29. Insert the center joint (CJC) in between the top 'U' channel (TC1C & TC2C) and wall panel. See fig.1. Line up the pre drilled holes and secure with (S1) screw. See fig.2. Line up the pre drilled holes on the corner column (CCC) and top 'U' channel and secure with (S1) screws. See fig.3&4.



30. Secure the top 'U' channels with wall panels by (S1) screws from inside.



31. Insert the wall panel (WA2) into the base 'U' channel (BC4C) and slide it into the corner column (CCC) see fig.1&2. Make sure the panel edge position. See fig.1&3. And the panel must be fully inserted into the column. See fig.2. Secure the corner column with base 'U' channel (BC4C) by (S1) screws from outside. See fig.4.

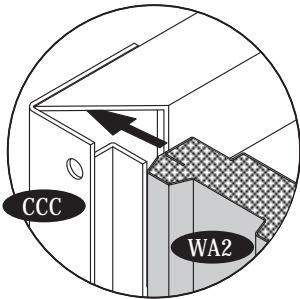


Fig.1

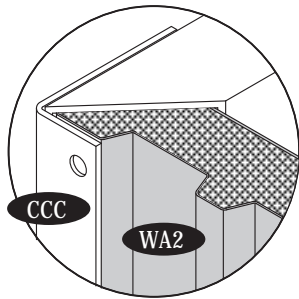


Fig.2

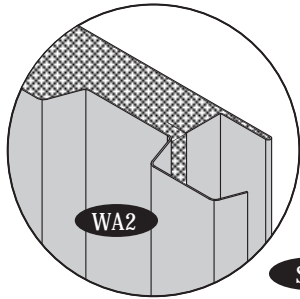


Fig.3

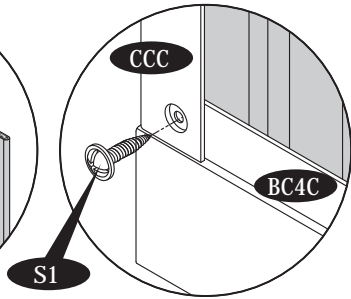
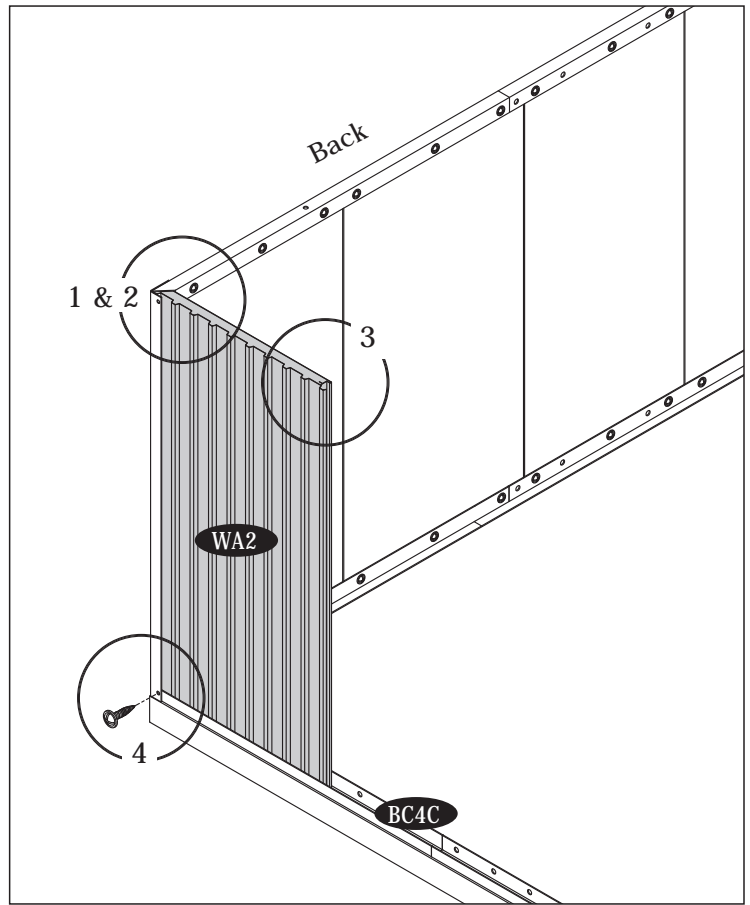
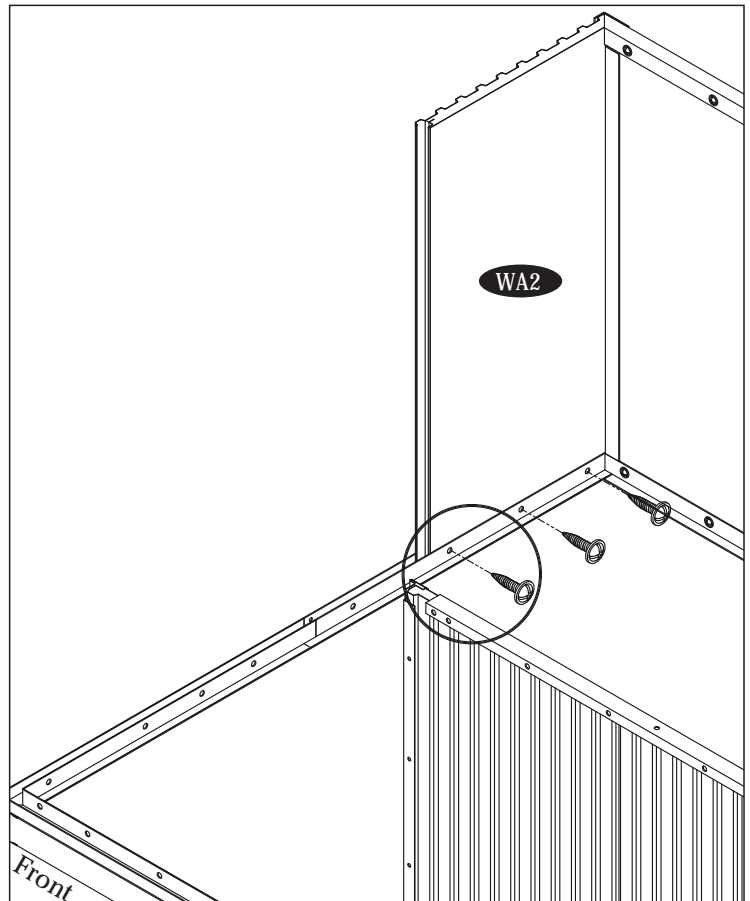
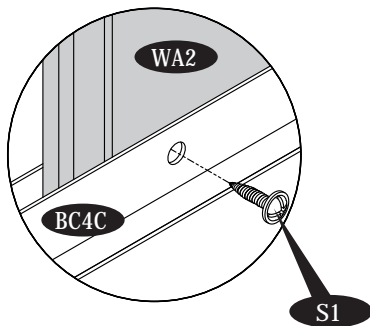


Fig.4



32. Secure the panel with base 'U' channel by (S1) screws from inside.



33. Insert the wall panel (WA1) into the base 'U' channel as follow fig.1,2,3 & 4. Make sure the panel edge position. See fig.5. The panel must be close to each other as fig.4.

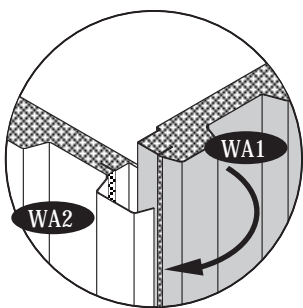


Fig.1

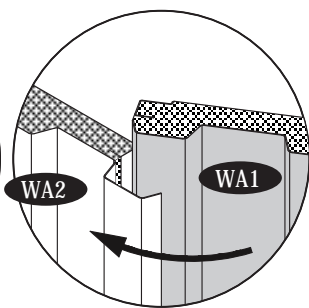


Fig.2

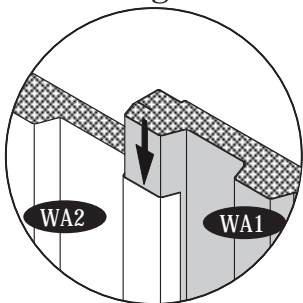


Fig.3

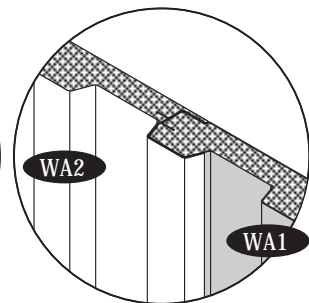


Fig.4

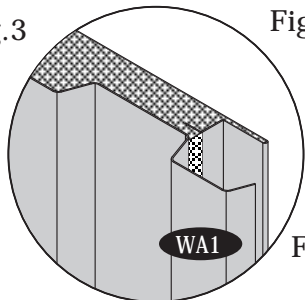
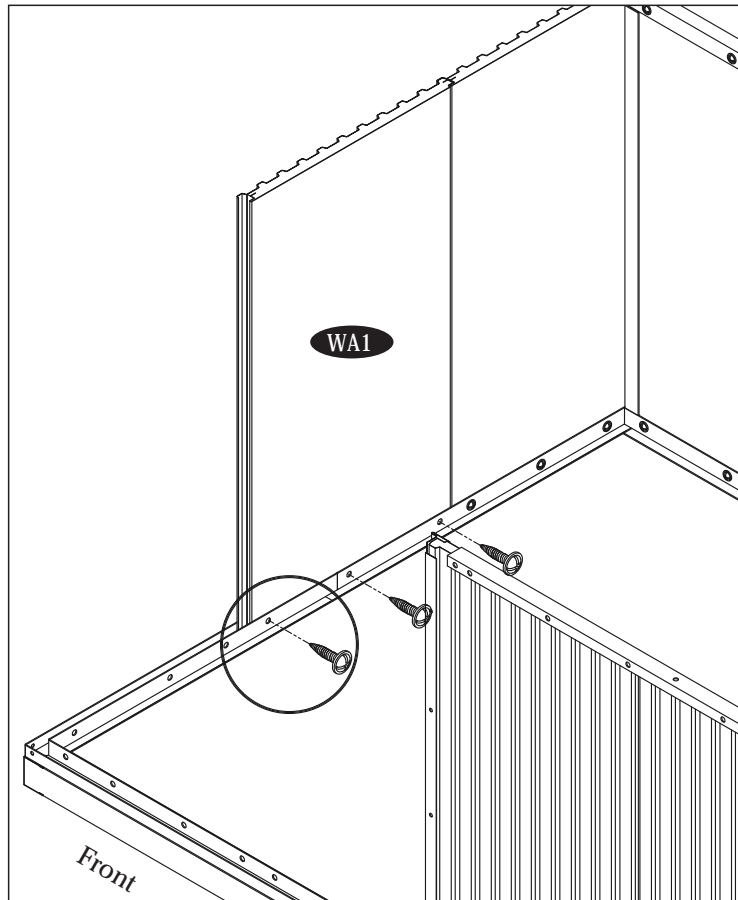
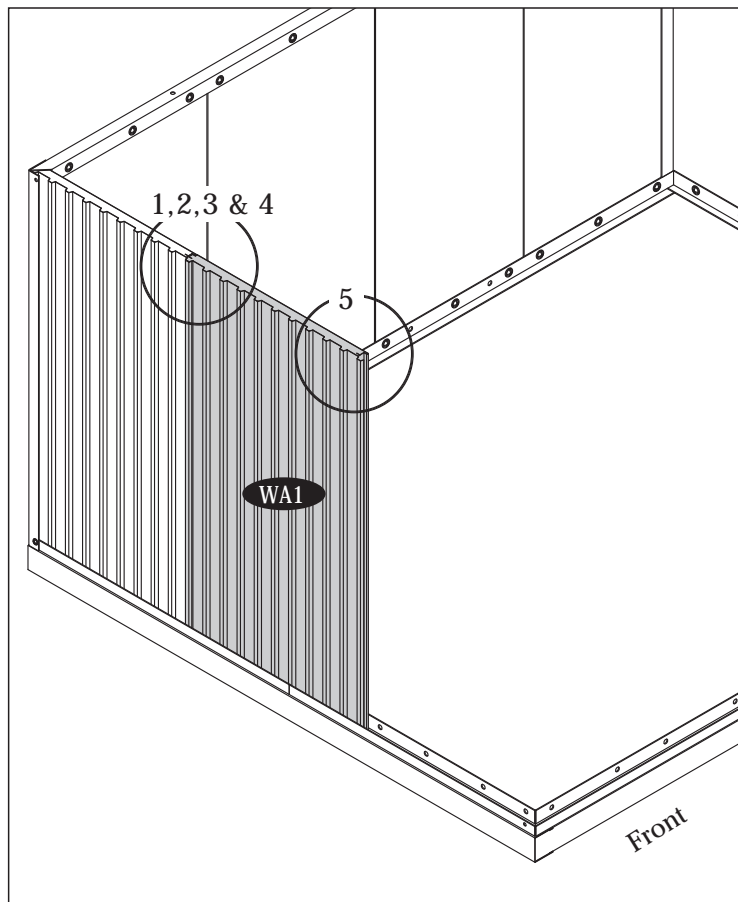
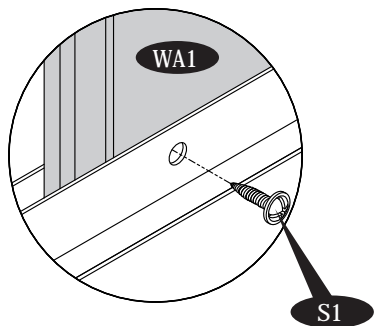
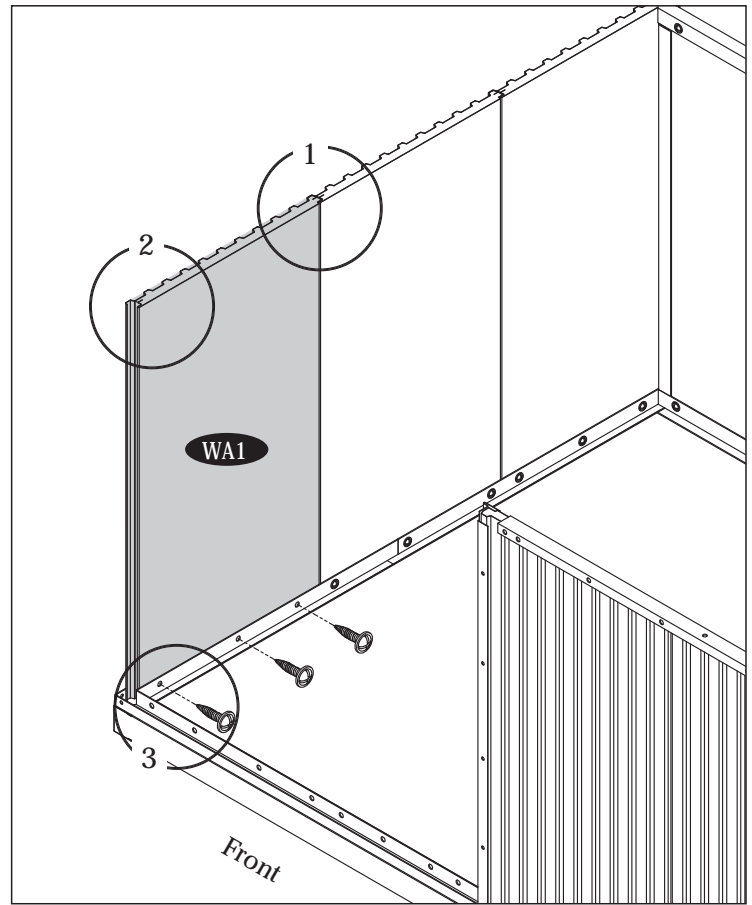
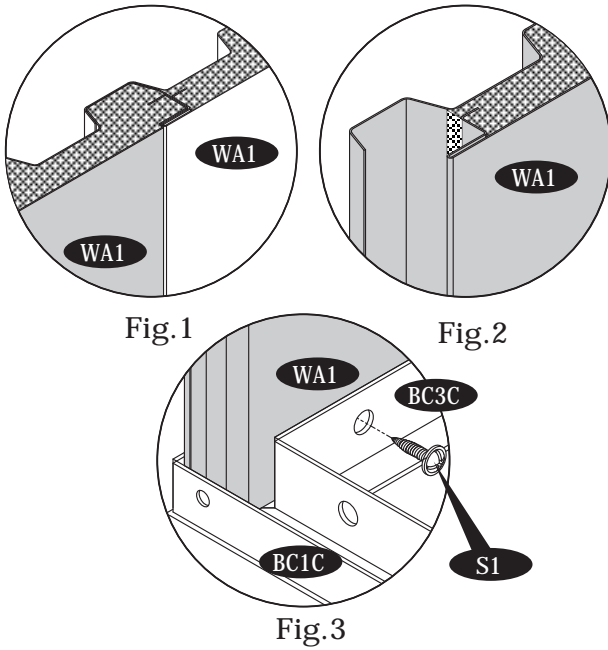


Fig.5

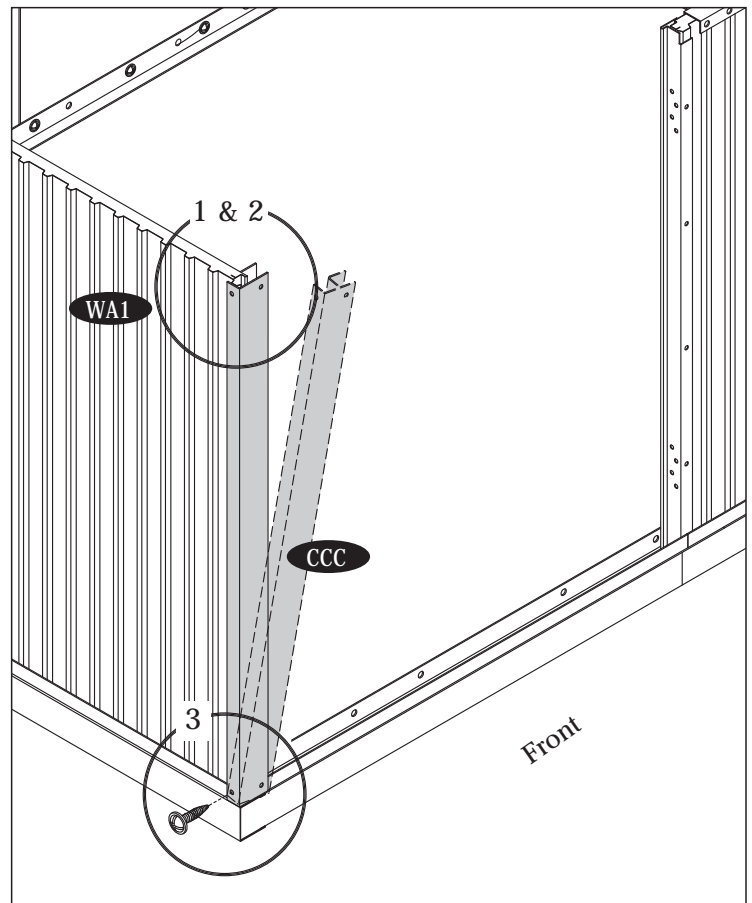
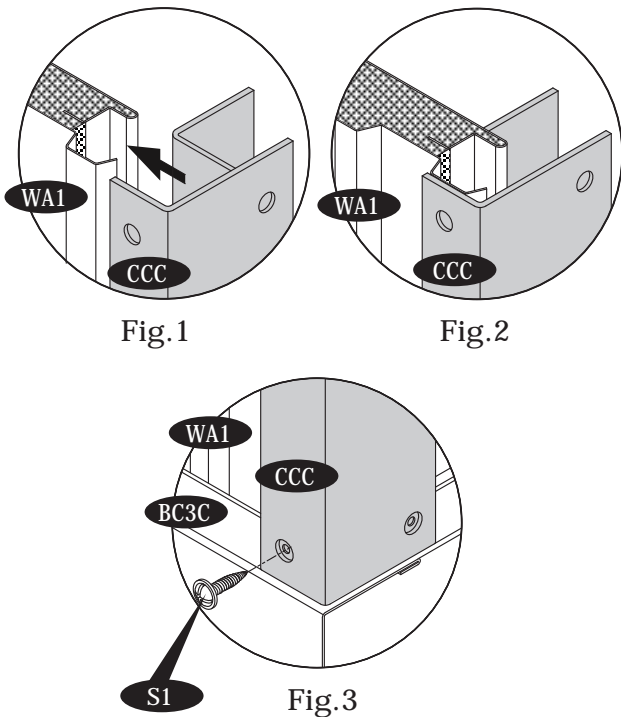
34. Secure the wall panel with base 'U' channel by (S1) screws from inside.



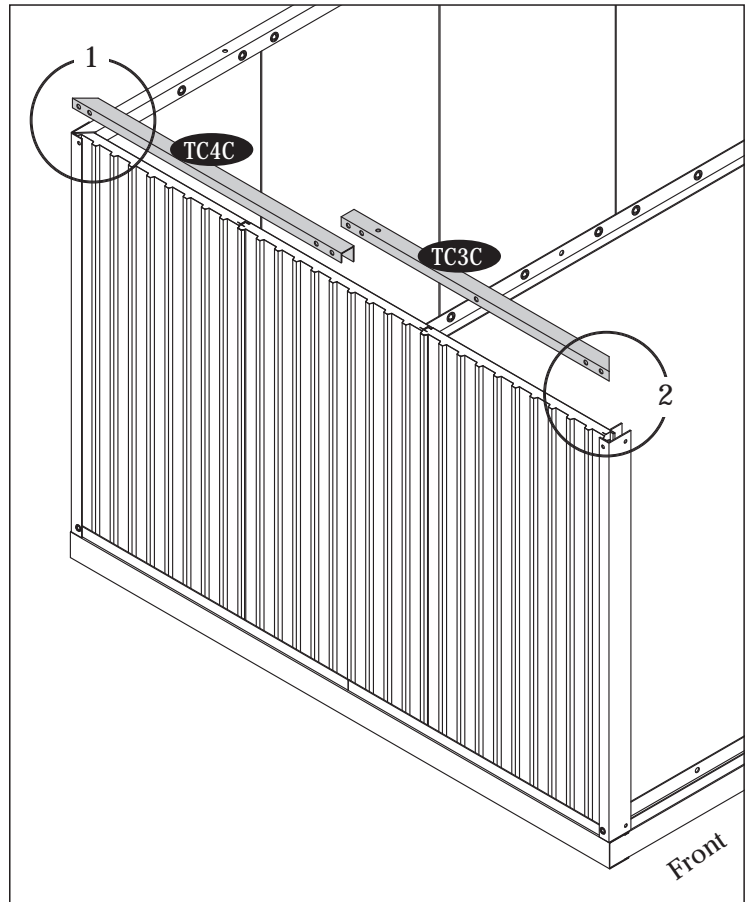
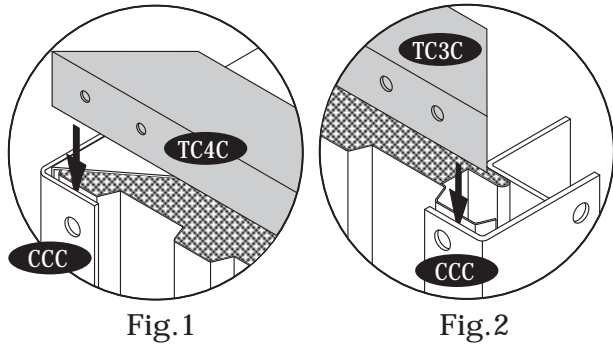
35. Insert the wall panel (WA1) into the base 'U' channel as before. Make sure the joining the wall panel must be very closed as fig.1. and also the position fig.2. Secure the wall panel with (S1) screws. See fig.3.



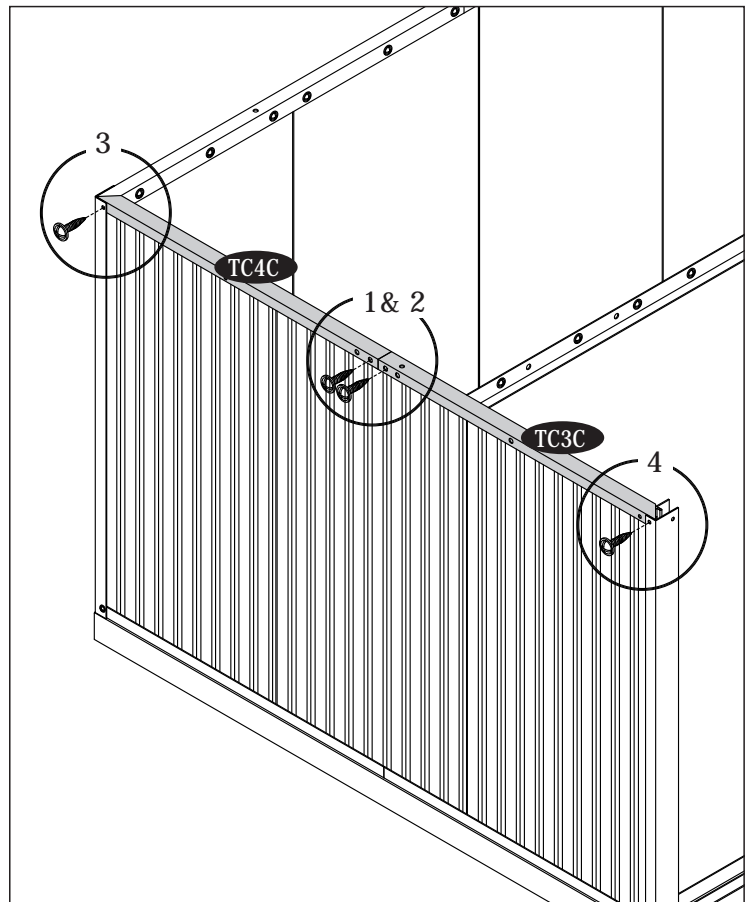
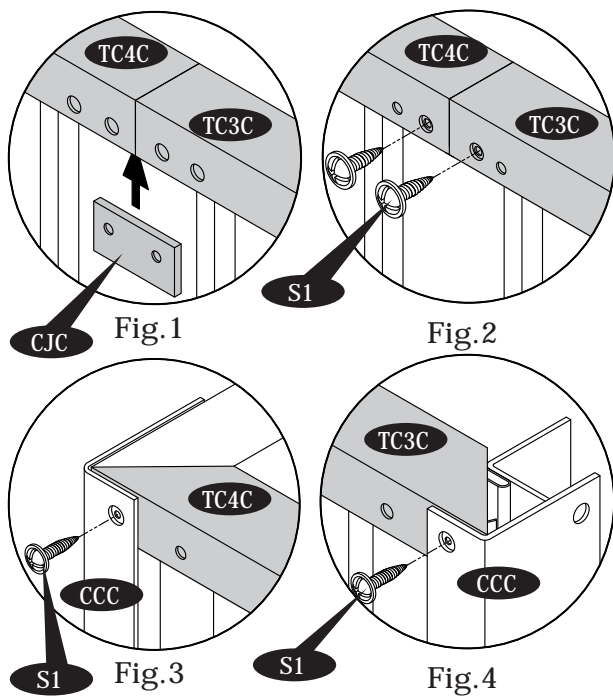
36. Insert corner column (CCC) to the wall panel edge by sliding. See fig.1. Make sure the corner column must be touching the wall panel. See fig.2. Line up the pre drilled holes with base 'U' channel (BC3C) and secure with (S1) screws from out side.



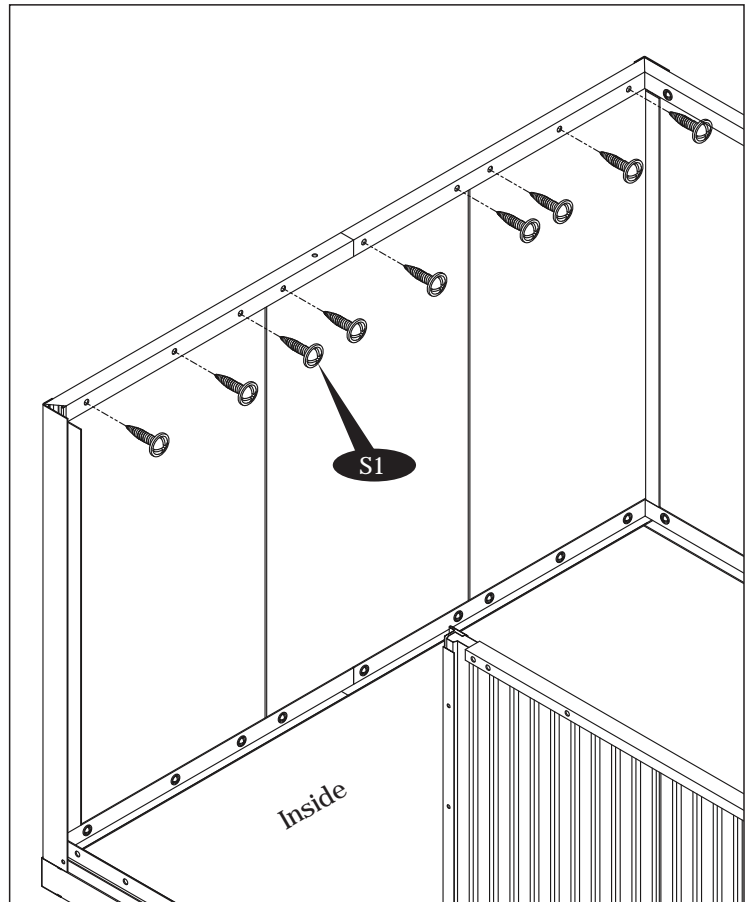
37. Insert the top 'U' channel (TC3C & TC4C) on top of the wall panel. The 'U' channel edge will be inserted in between the corner column & wall panels.



38. Inserted the center joint (CJC) in between the top 'U' channel (TC3C & TC4C) and wall panel. See fig.1. Line up the pre drilled holes and secure with (S1) screw. See fig.2. Line up the pre drilled holes on the corner column (CCC) and top 'U' channel and secure with (S1) screws. See fig.3&4.



39. Secure the top 'U' channels with wall panels by (S1) screws from inside.



40. Insert the wall panel (WA3) into the base 'U' channel (BC1C) and slide into the corner column (CCC). See fig.1&2.

Make sure the wall panel must be inserted fully into the corner column. See fig.2.

Secure the corner column (CCC) to the base 'U' channel (BC1C) by (S1) screws from outside.

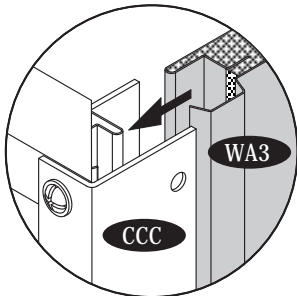


Fig.1

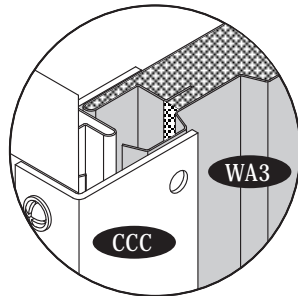


Fig.2

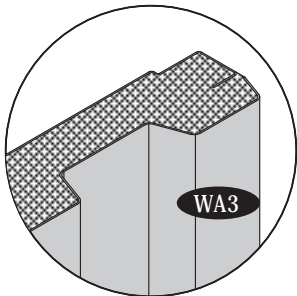


Fig.3

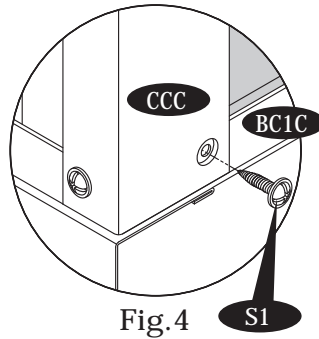
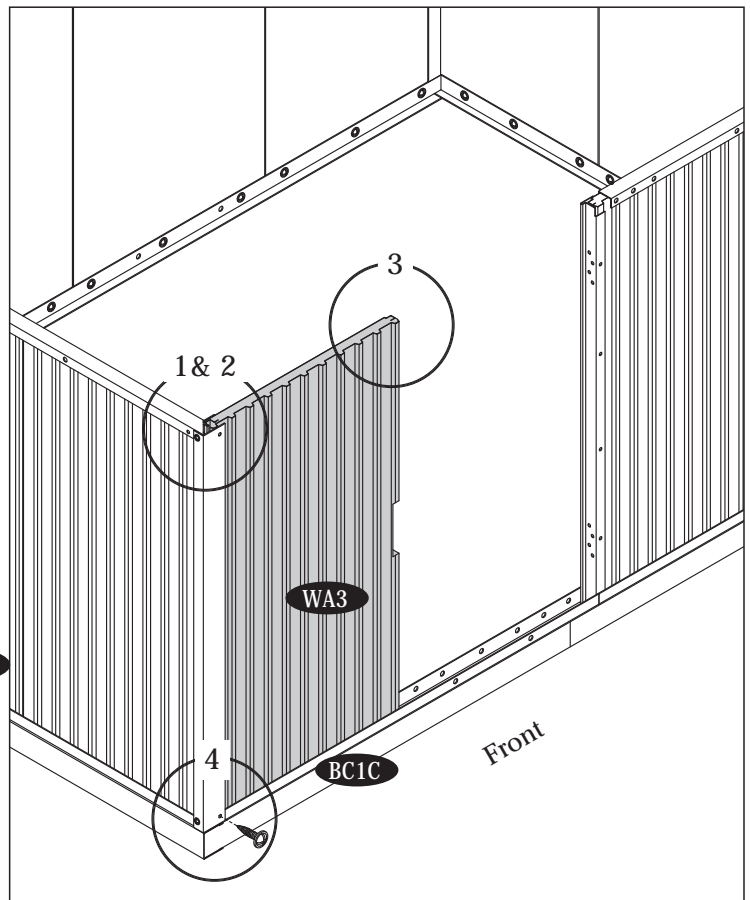


Fig.4



41. Insert the door column (DCLC) into the base 'U' channel as well as with wall panel (WA3). See fig.1&2. The bottom of the door column will be in between the base 'U' channel & wall panel. See fig.2. Secure the column with base 'U' channel by (S1) screw from inside. See fig.3.

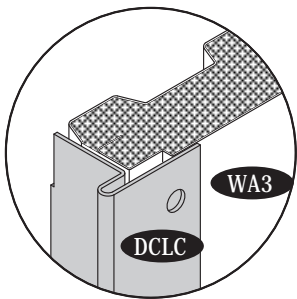


Fig.1

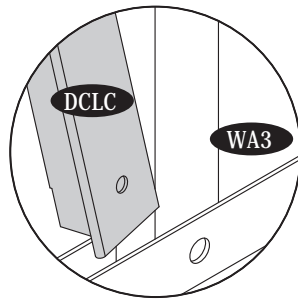


Fig.2

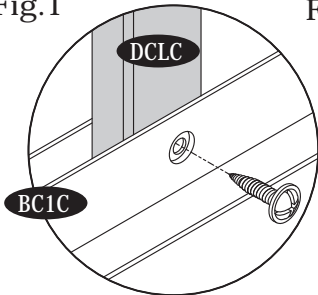
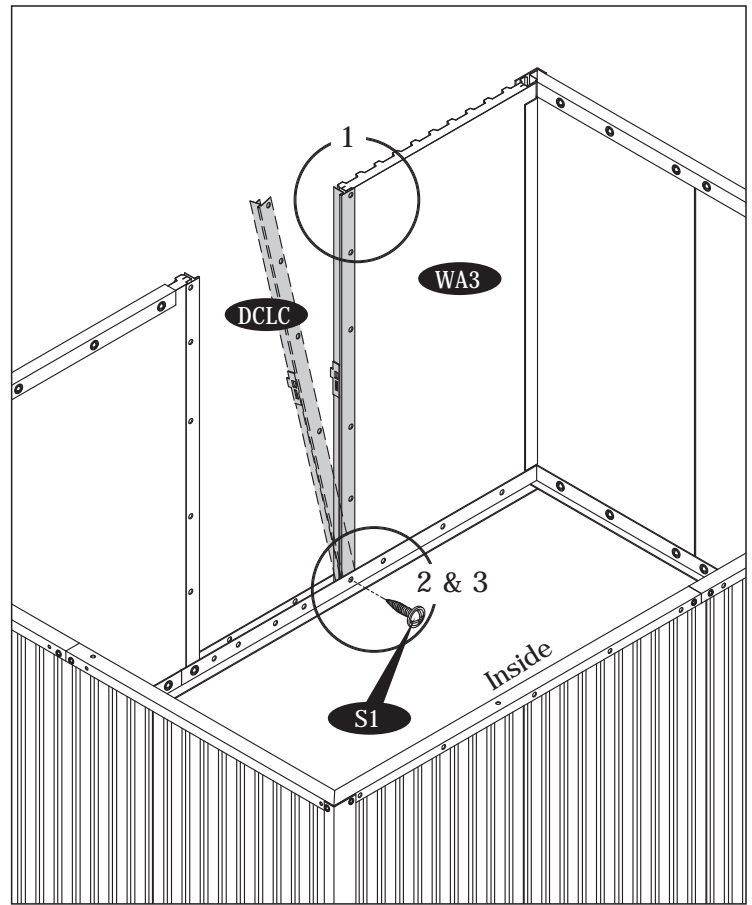
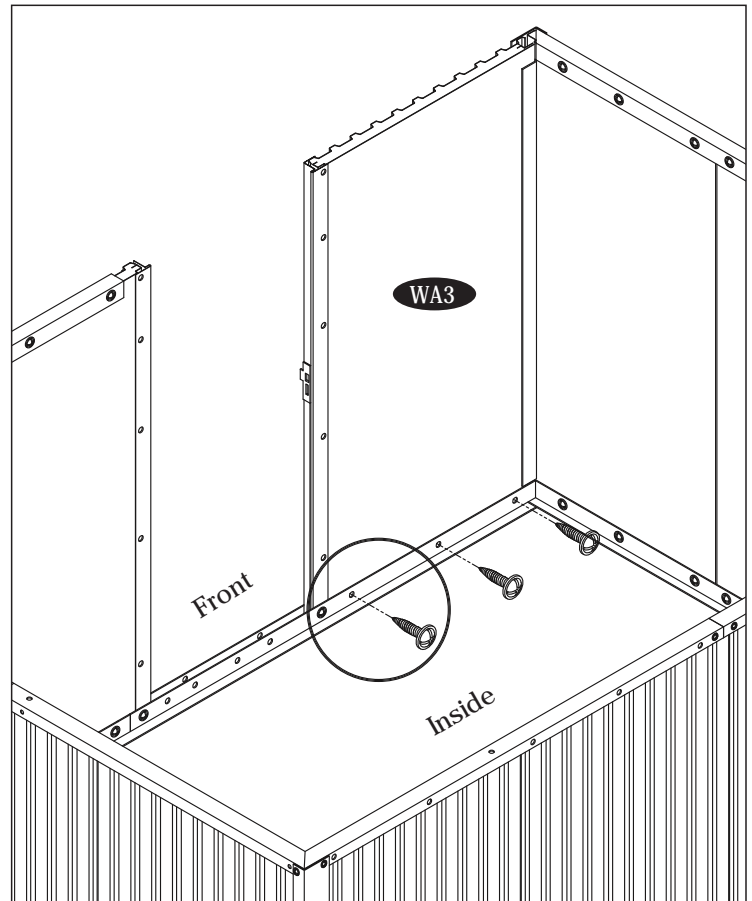
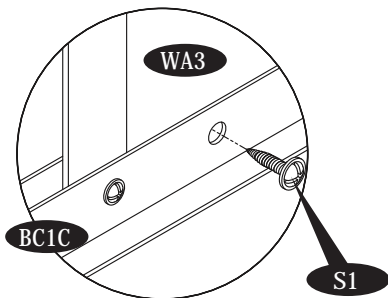


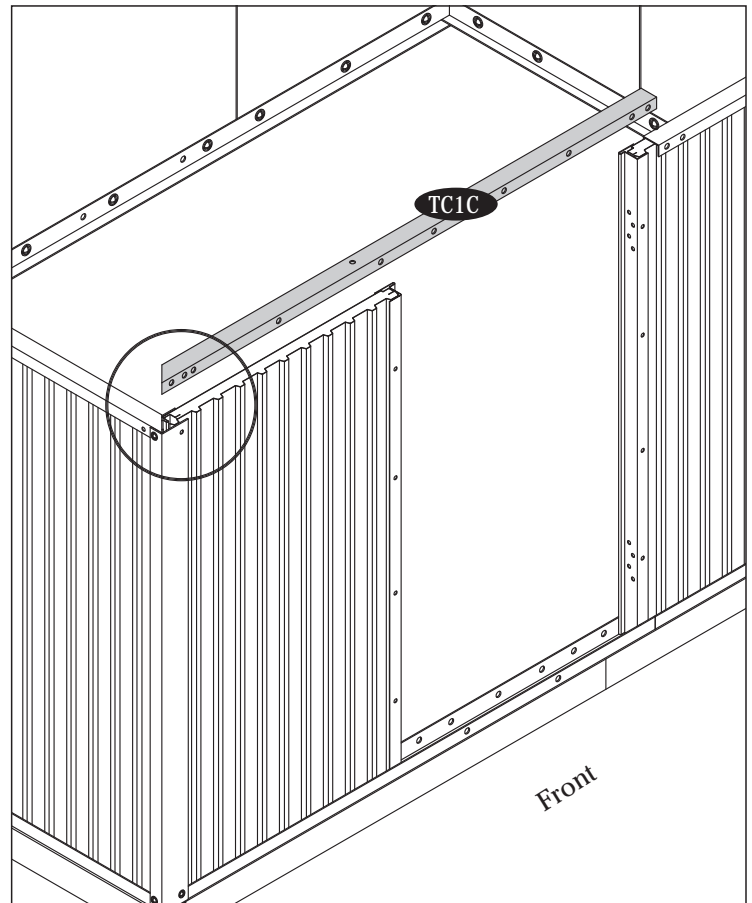
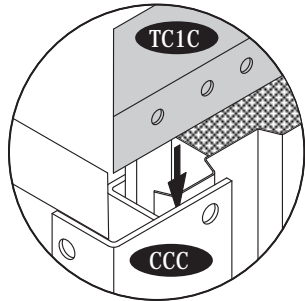
Fig.3



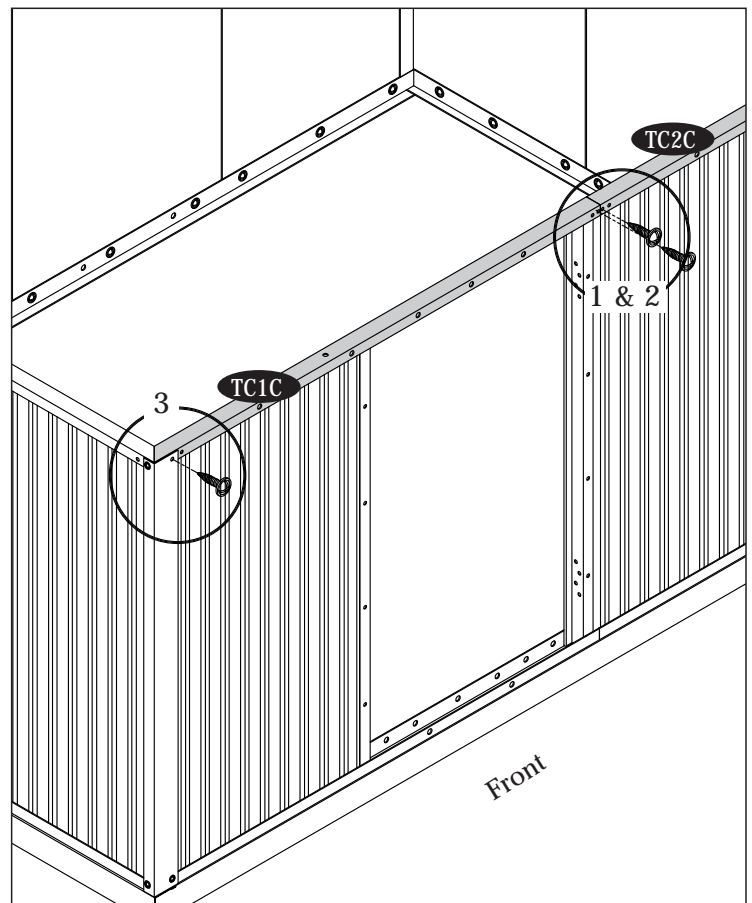
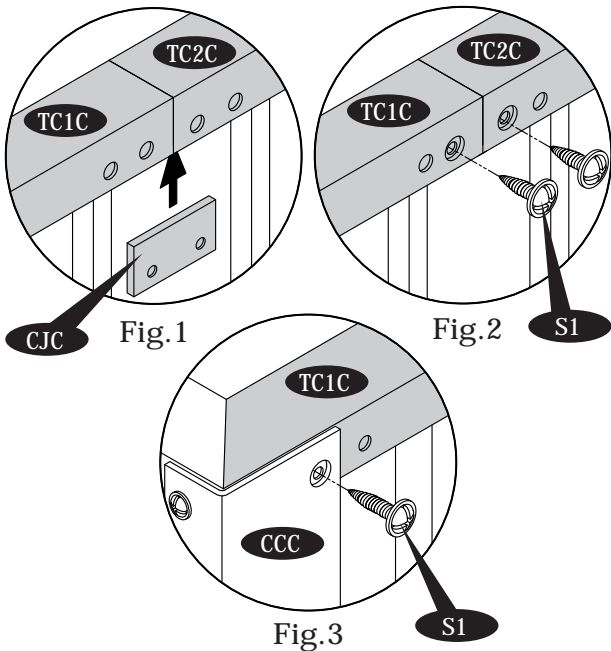
42. Secure the wall panel (WA3) with base 'U' channel (BC1C) by (S1) screws from inside.



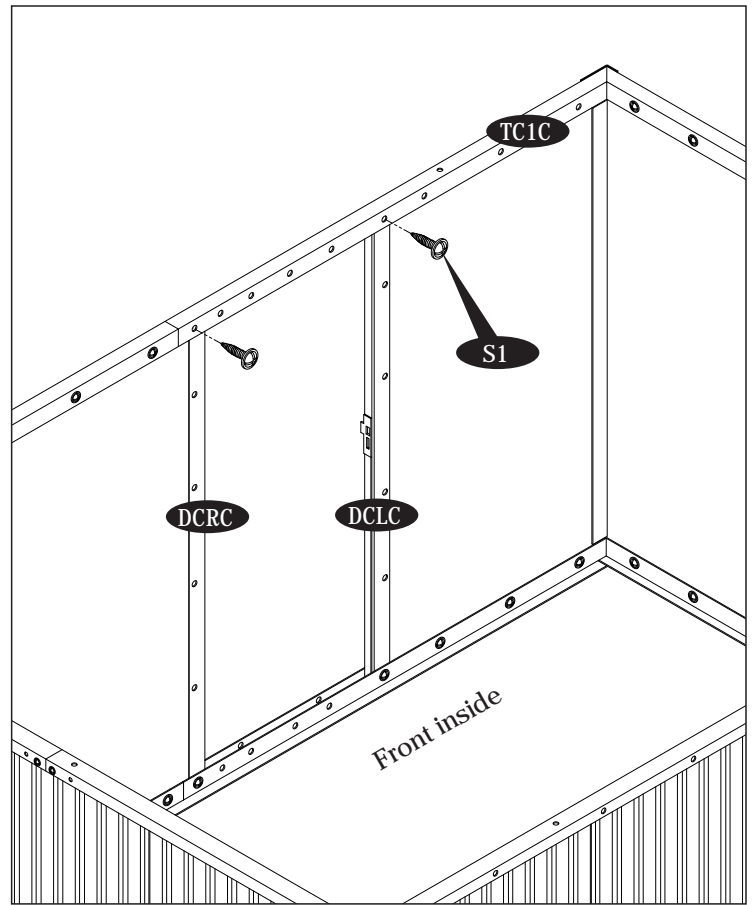
43. Insert the top 'U' channel (TC1C) on top of the wall panels. Make sure edge of the top 'U' channel must be inserted in between the wall panel and corner column. See fig.



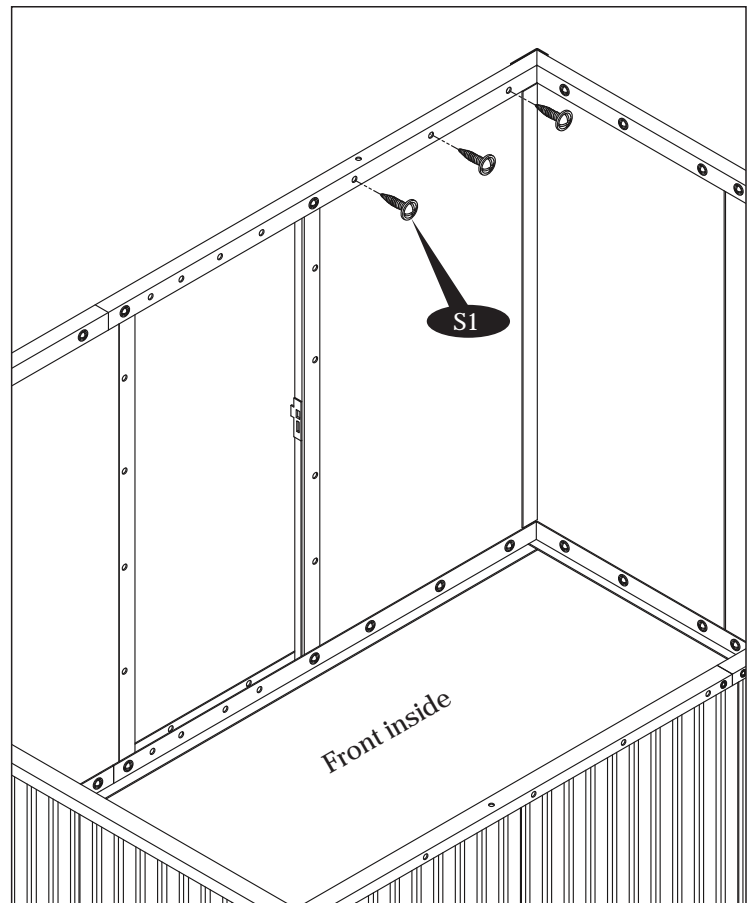
44. Inserted the center joint (CJC) in between the top 'U' channel (TC1C & TC2C) and wall panel. See fig.1. Line up the pre drilled holes and secure with (S1) screws. See fig.2. Line up the pre drilled holes on the corner column (CCC) and top 'U' channel (TC1C) and secure with (S1) screws. See fig.3.



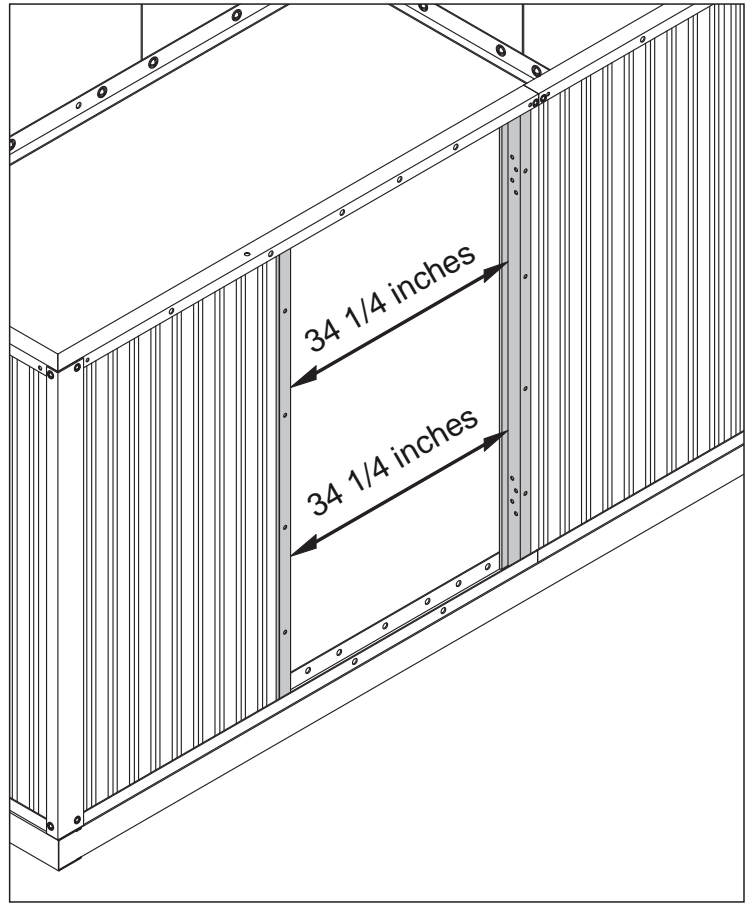
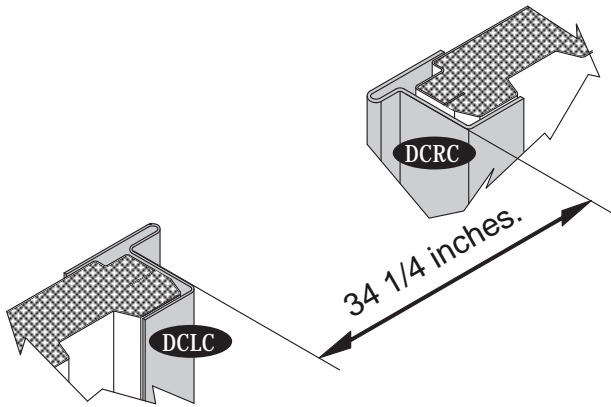
45. Line up the pre drilled hole on door columns (DCLC & DCRC) with top 'U' Channel & secure with the (S1) screws from inside.



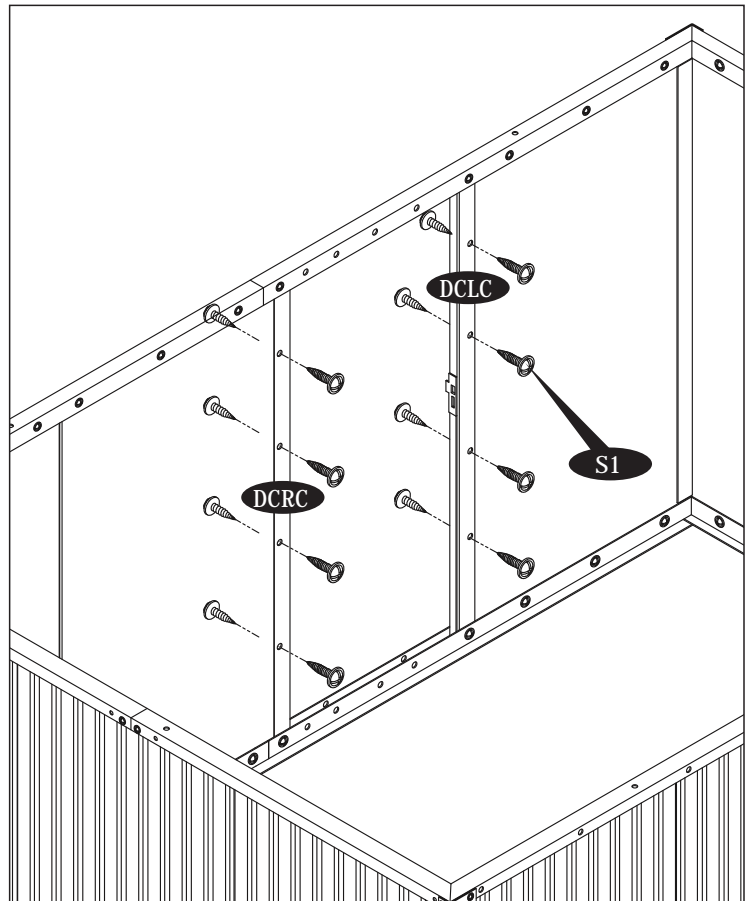
46. Secure the top 'U' channels with wall panels by (S1) screws from inside.



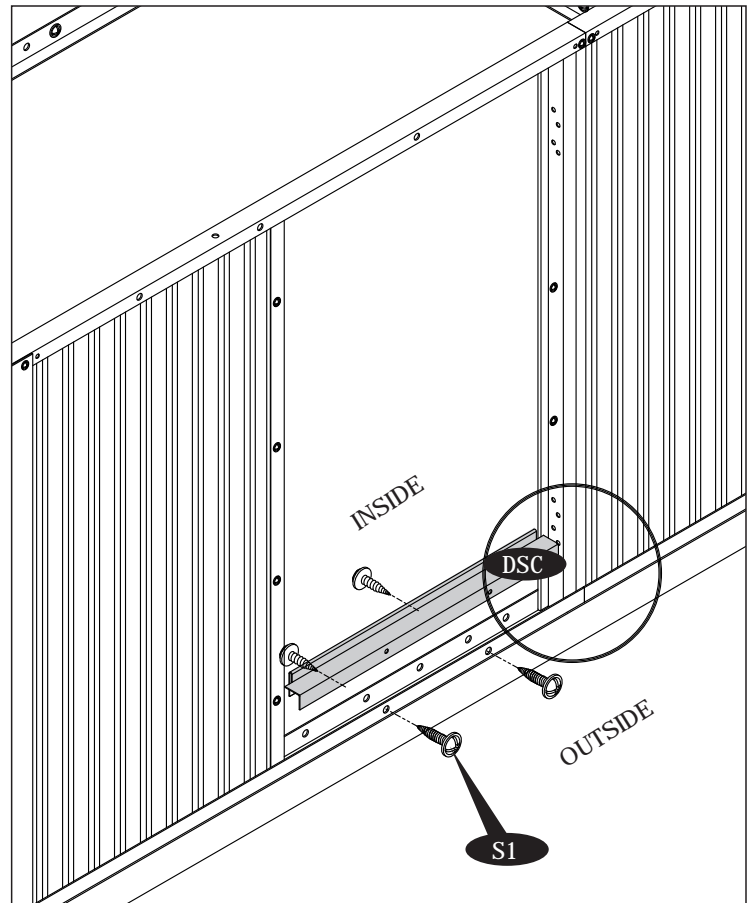
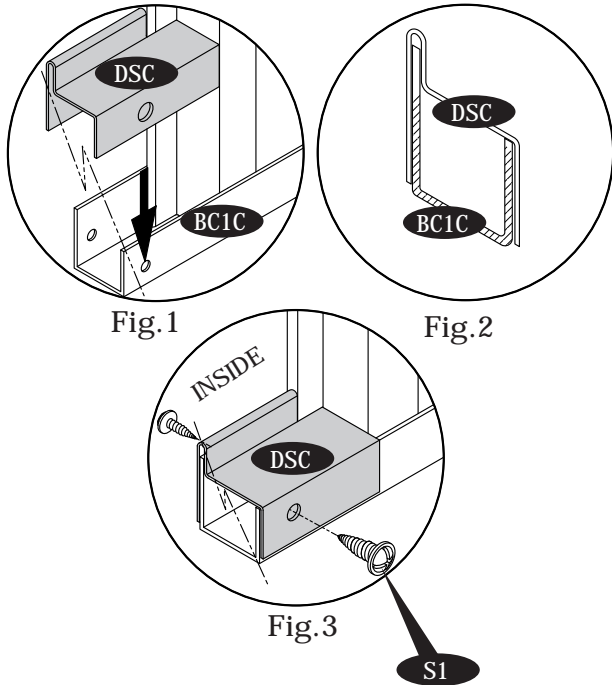
47. Make sure in between the door column distance must be 34 1/4 inches.



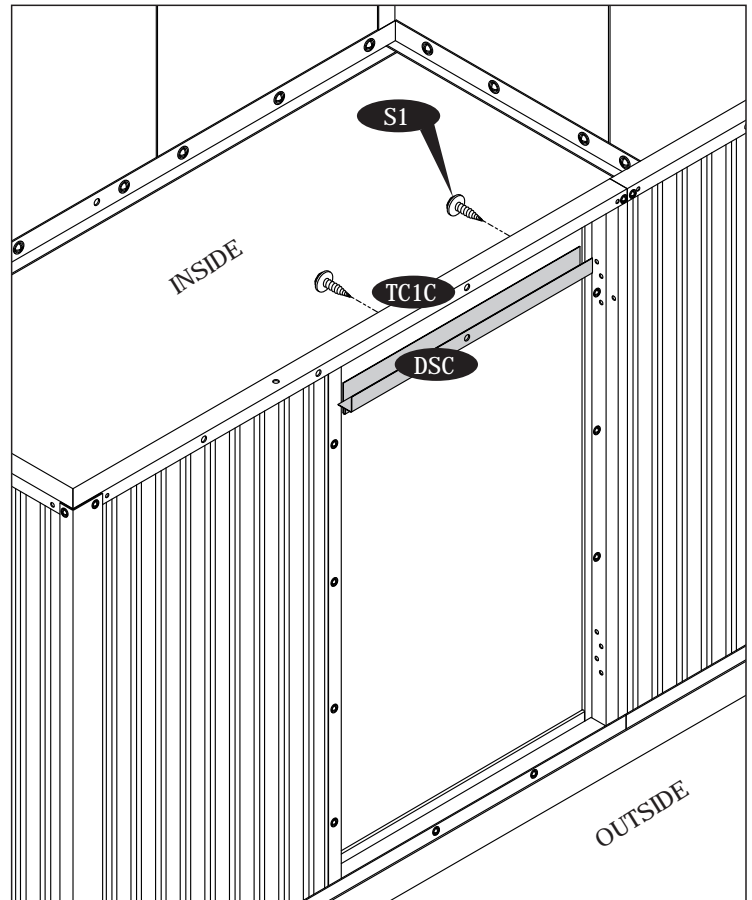
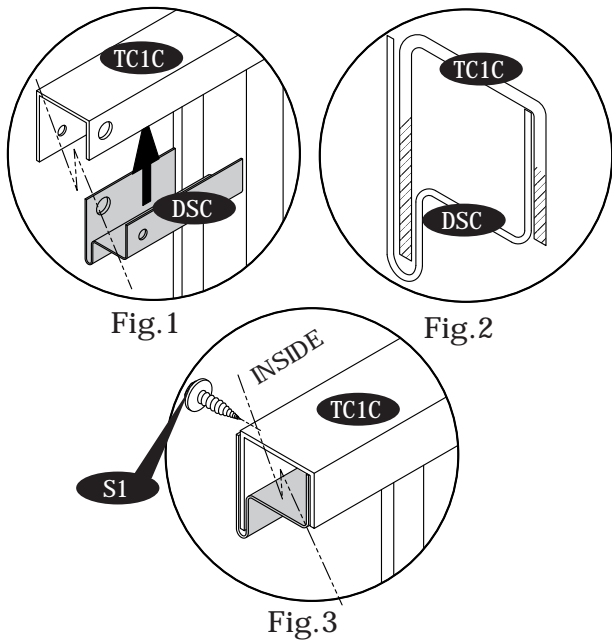
48. Secure the door columns (DCLC & DCRC) with wall panels by using (S1) screws from inside & outside.



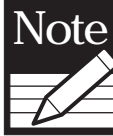
49. Insert the door stopper (DSC) on top of the base 'U' channel. See fig.1&2. Line up the pre drilled holes and secure with (S1) screws from inside & outside. See fig.3.



50. Insert the door stopper (DSC) to the top 'U' channel. See fig.1&2. Line up the pre drilled holes and secure with (S1) screws from inside. See fig.3.



51. Place the roof panel (RPRC) on top of the 'U' channel. Make sure the thicker section must face towards the front. Line up the pre drilled holes on roof panel with top 'U' channel. See fig.1&2. Secure the roof panel with (S11) & (S10) screws. See fig.3&4.



On top 'U' channel these 3 holes are Pre-drilled for reference.

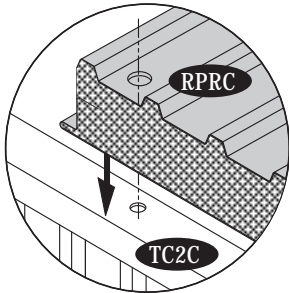


Fig.1

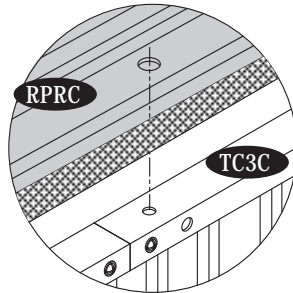


Fig.2

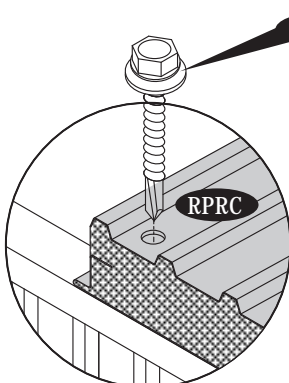


Fig.3

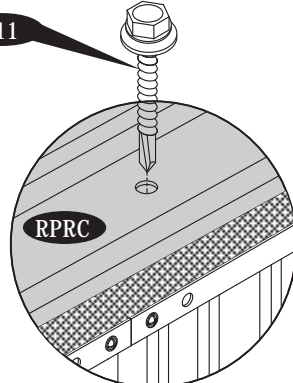
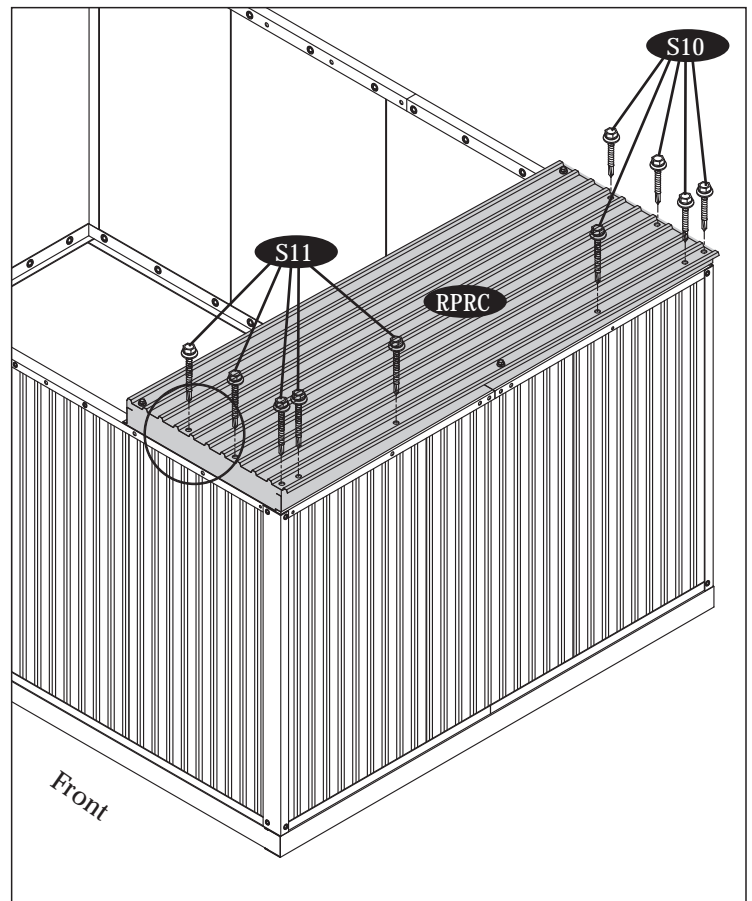
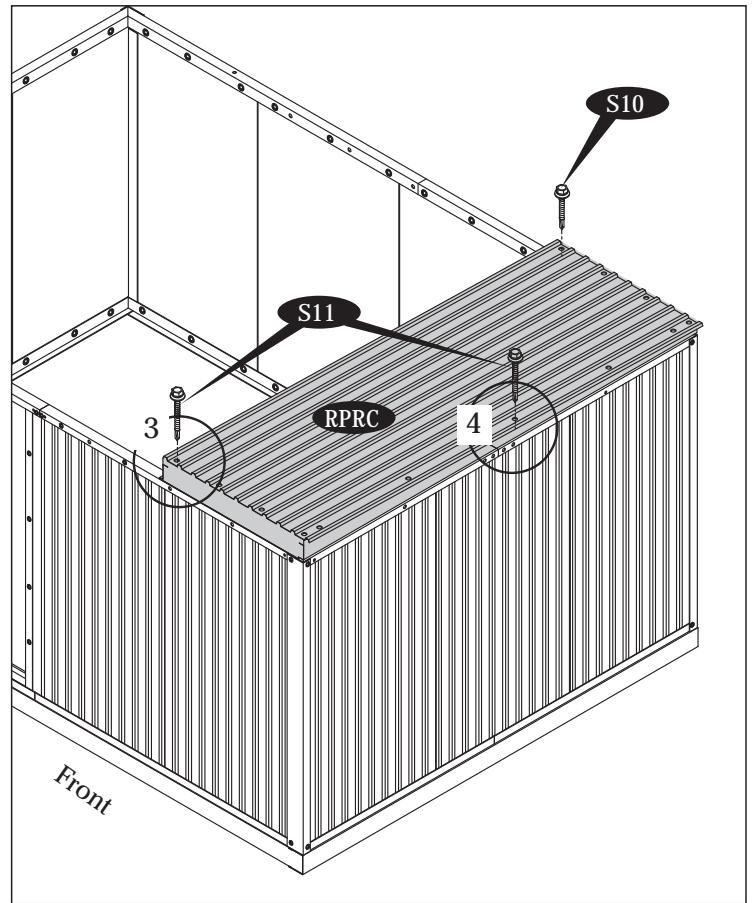
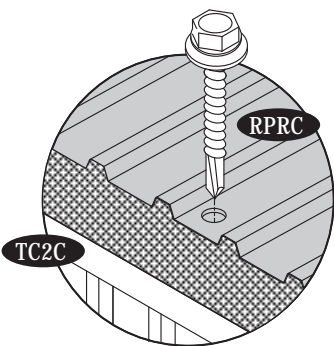
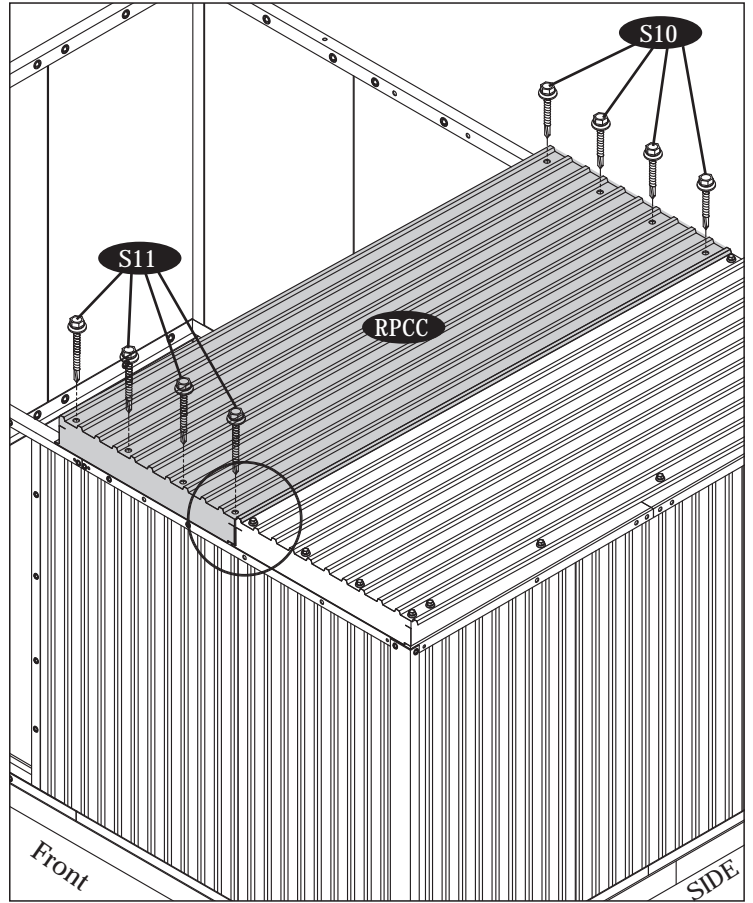
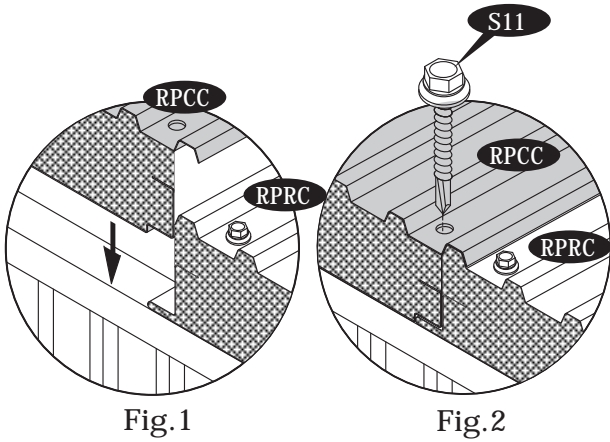


Fig.4

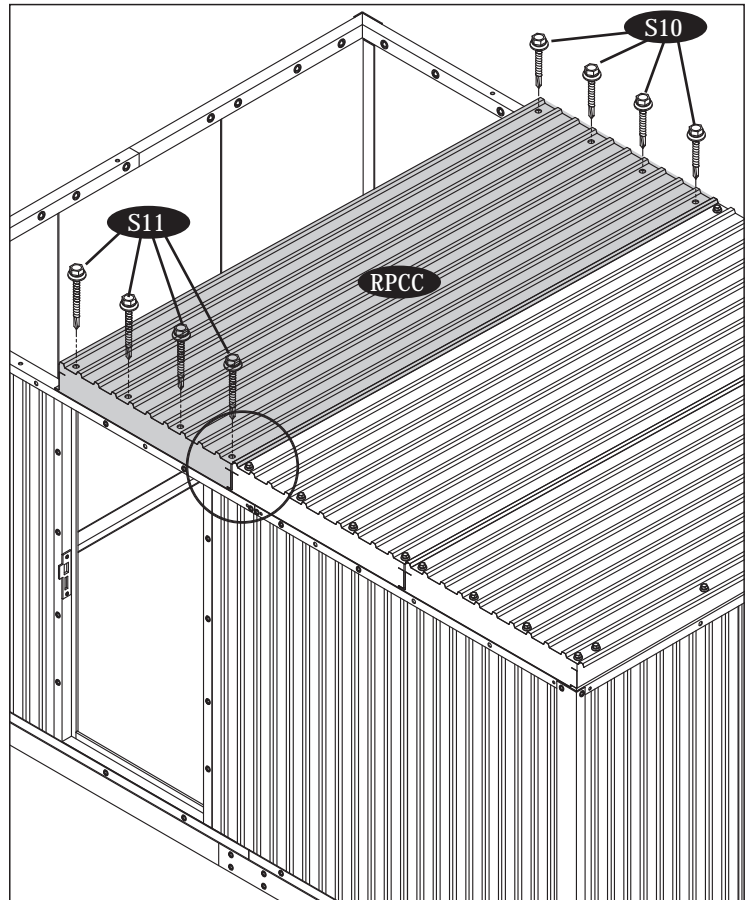
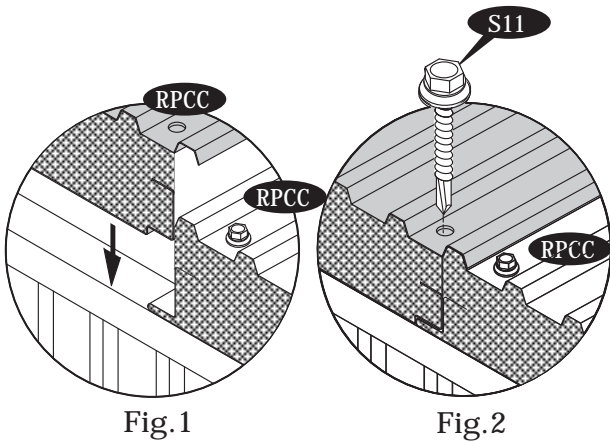
52. Secure the roof panel with top 'U' channel by (S10 & S11) self drilling screws.



53. Place the roof panel (RPCC) on top of the top 'U' channel. Make sure the overlapping of the roof panel as shown fig.1. Secure the roof panel with (S10 & S11) self drilling screws. See fig.2.



54. Place the roof panel (RPCC) on top of the top 'U' channel. Make sure the overlapping of the roof panel as shown fig.1. Secure the roof panel with (S10 & S11) self drilling screws. See fig. 2.



55. Place the roof panel (RPLC) on top of the top 'U' channel. Make sure the overlapping of the roof panel as shown fig.1. Secure the roof panel with (S10 & S11) screws. See fig.2. Place the screw cap (S14) on the screw head for all. See fig.3.

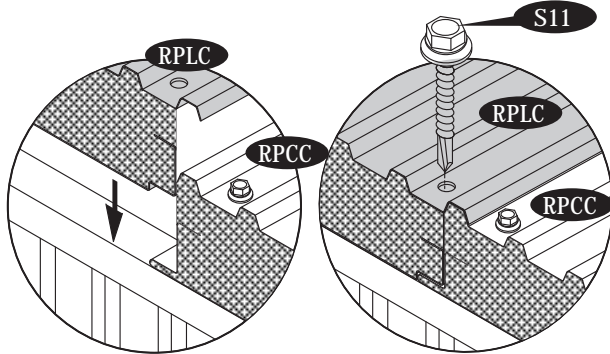


Fig.1

Fig.2

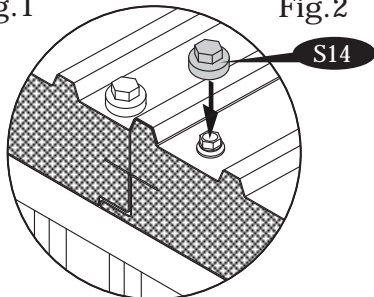
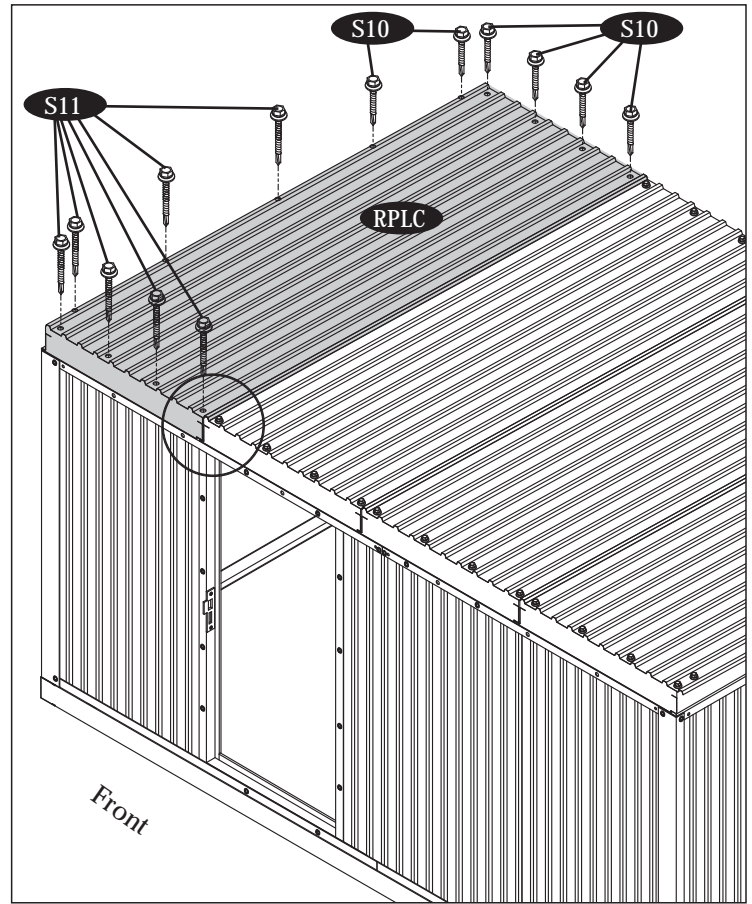


Fig.3



56. Place the right side roof flashing front (RSRFF) on top of the roof panel as shown in fig.1. Line up the pre drilled holes on roof flashing and top 'U' channel (TC4C). Insert the spacer (SPC) in between the roof flashing and top 'U' channel. See fig.2. Secure the roof flashing with (S5) screws. See fig.3 and secure the roof flashing from top to roof panel with (S1) screws. See fig.4. Continue the same for back roof flashing (RSRFB)

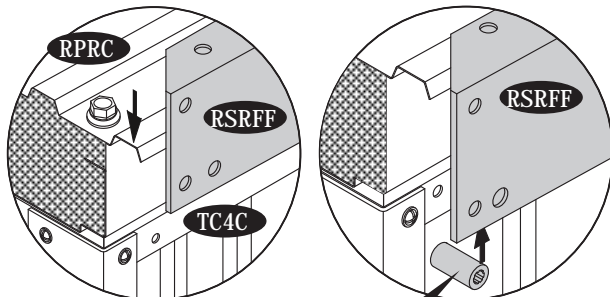


Fig.1

Fig.2

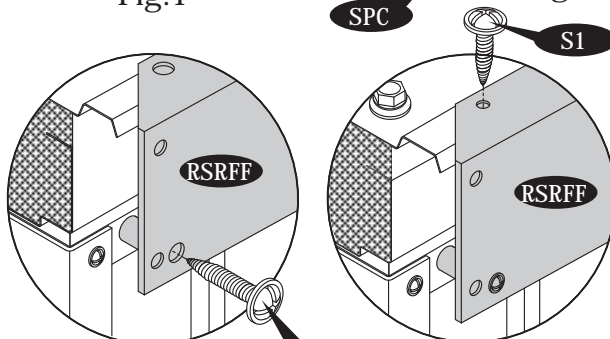
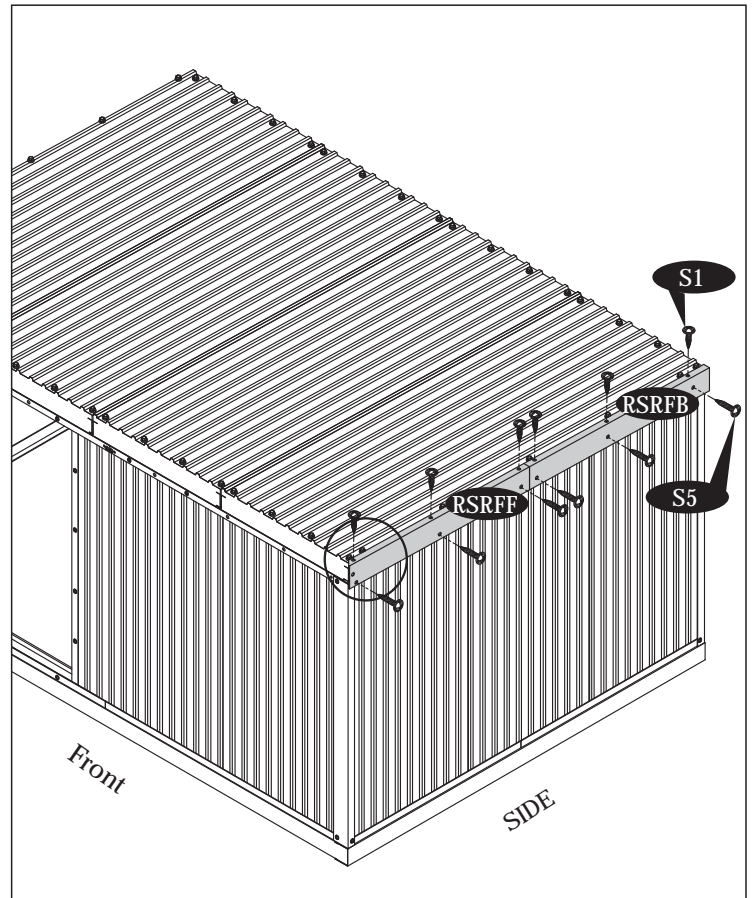
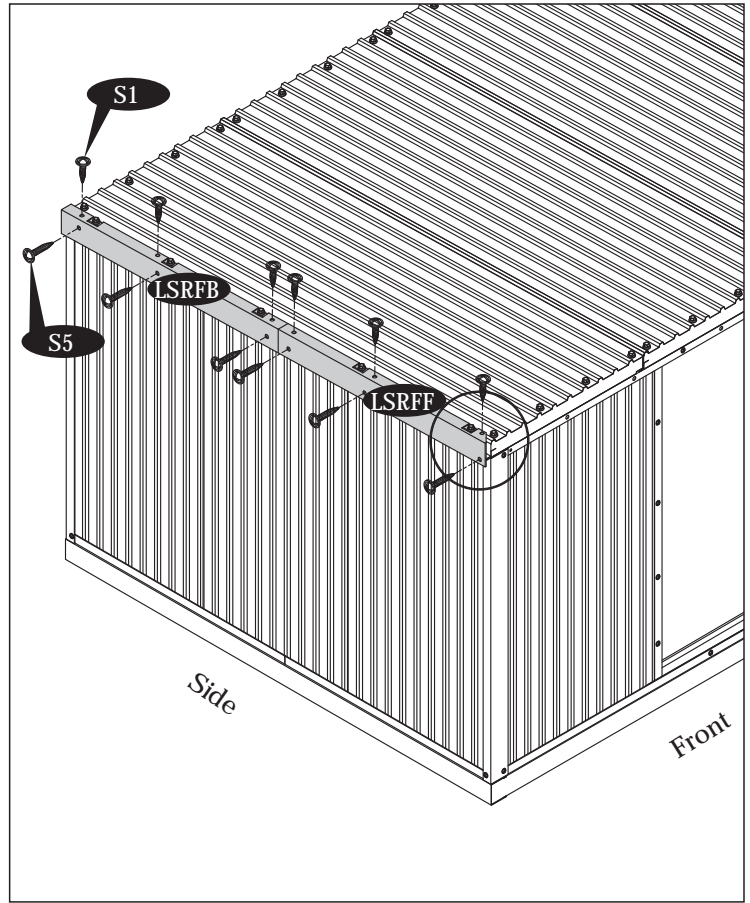
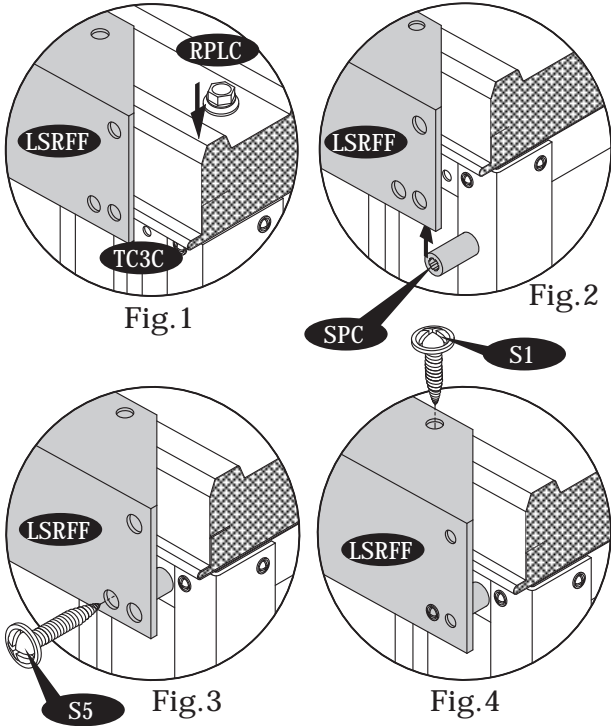


Fig.3

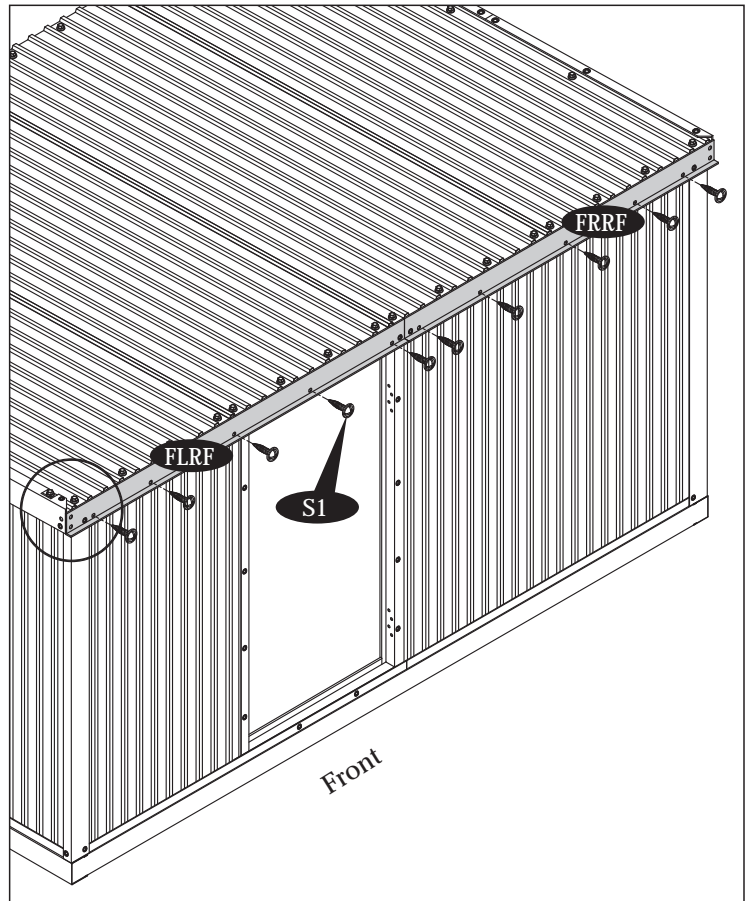
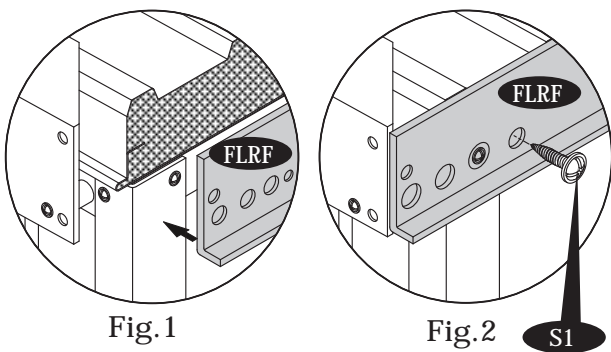
Fig.4



57. Place the left side roof flashing front (LSRFF) on top of the roof panel as shown in fig.1. Line up the pre drilled holes on roof flashing and top 'U' channel (TC3C). Insert the spacer (SPC) in between the roof flashing and top 'U' channel. See fig.2. Secure the roof flashing with (S5) screws. See fig.3 and secure the roof flashing from top to roof panel with (S1) screws. See fig.4. Continue the same for back roof flashing (LSRFB)



58. Place the front left roof flashing (FLRF) on the top 'U' channel. See fig.1. Line up the pre drilled holes and secure (S1) screws. Continue the same for front right roof flashing (FRRF).



59. Place the front roof flashing top (FLRFT) on front left roof flashing (FLRF) as shown in fig.1. Secure with (S1) screws from top to the roof panel. See fig.2. Insert the corner joint (CRJ) at the corner, in between roof flashing and corner column. See fig.3. Secure the corner joint with (S1) screws. See fig.4. Continue the same for front right roof flashing top (FRRFT).

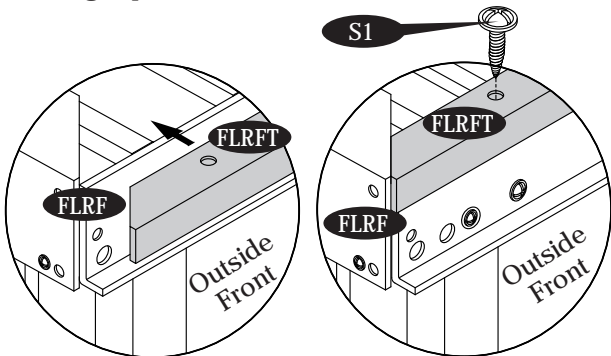


Fig.1

Fig.2

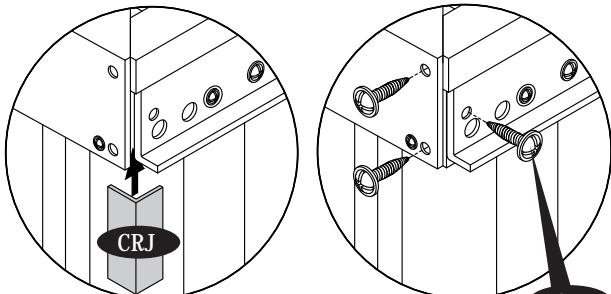
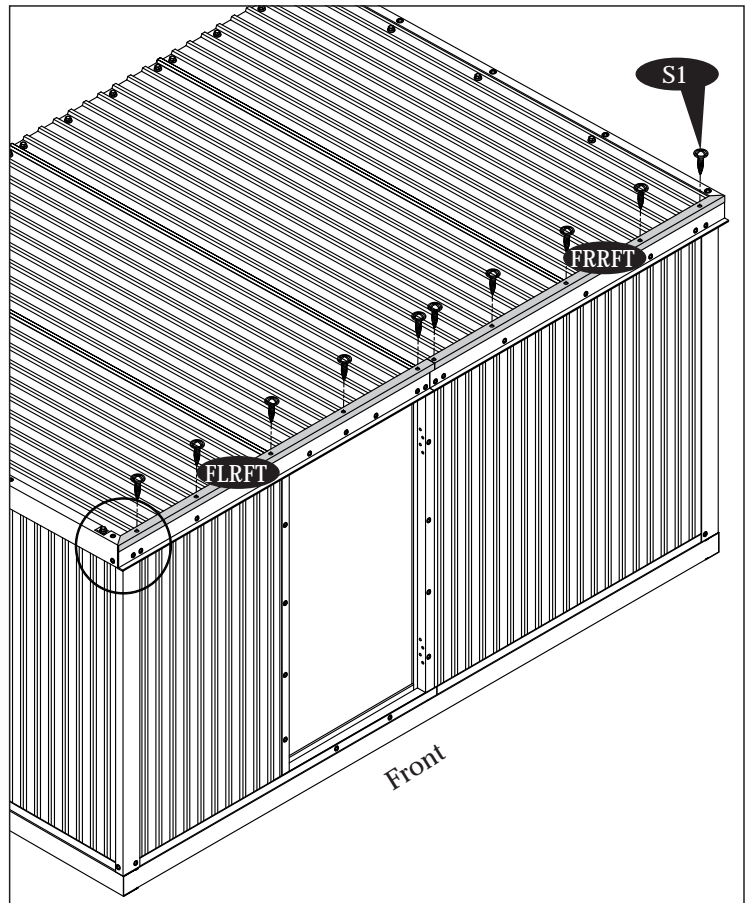


Fig.3

Fig.4



60. Place the Right Gutter (GUR) on top 'U' channel. See fig.1. Line up the pre drilled holes with top 'U' channel and secure with (S1) screws as shown in fig. 2 & 3. Continue the same for Left Gutter (GUL).

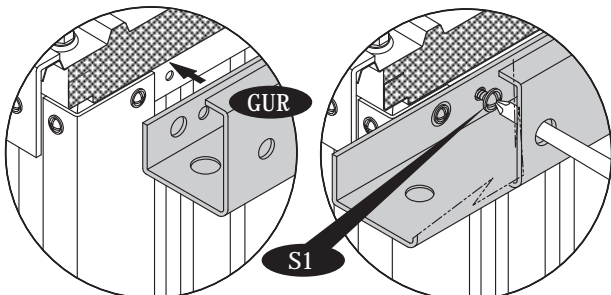


Fig.1

Fig.2

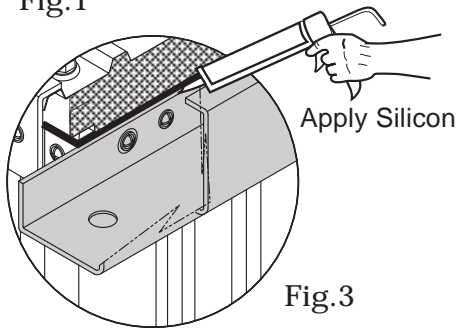
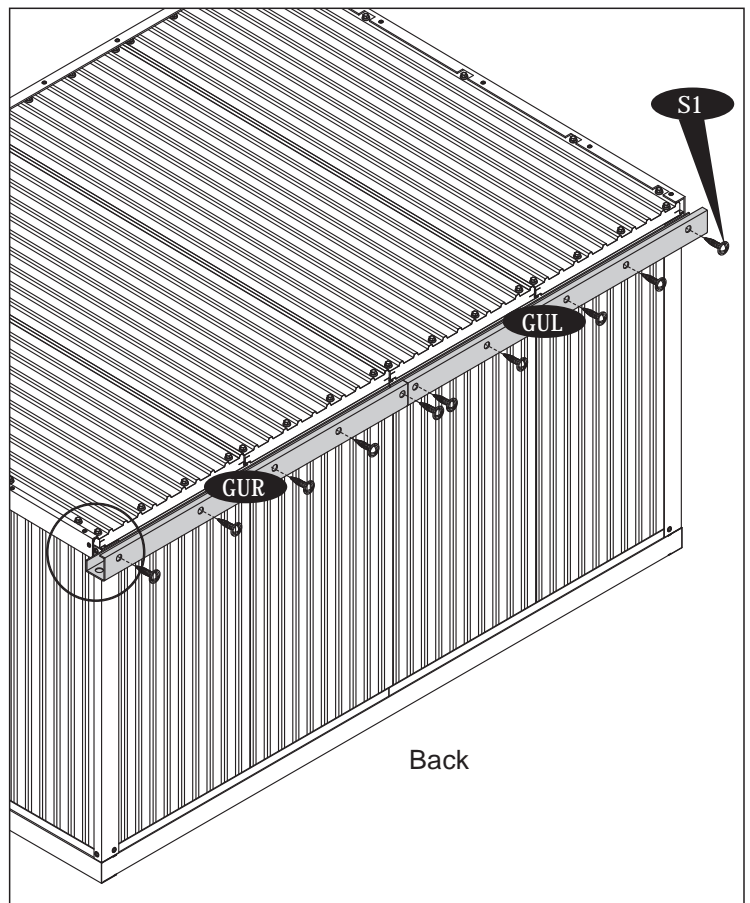
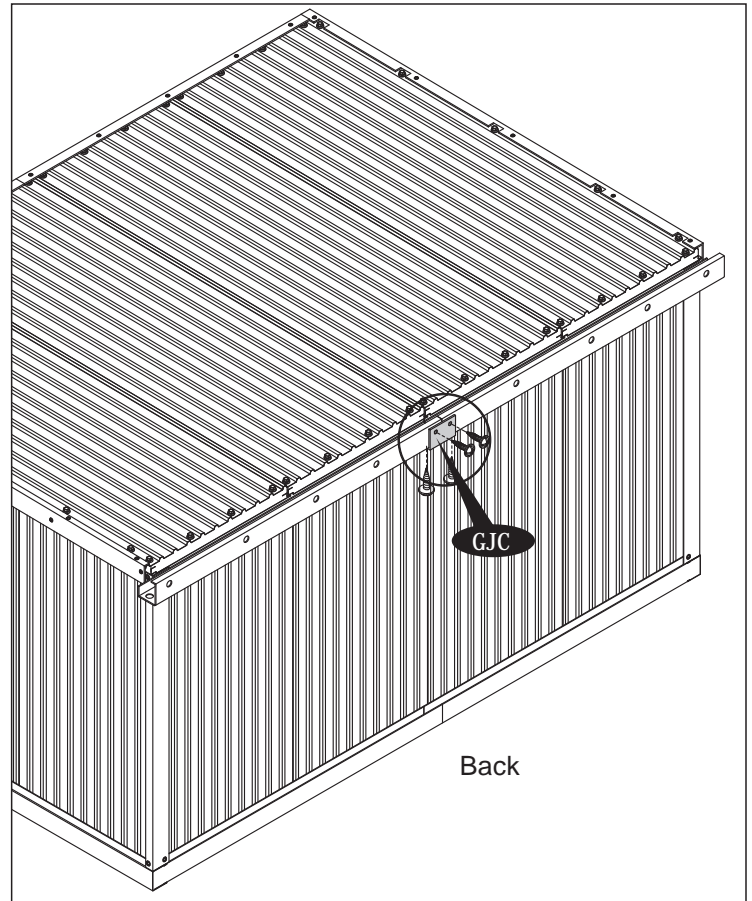
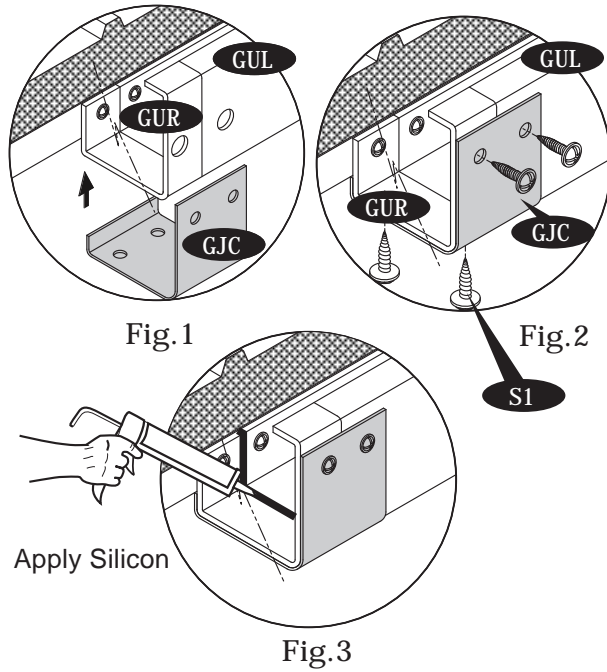


Fig.3

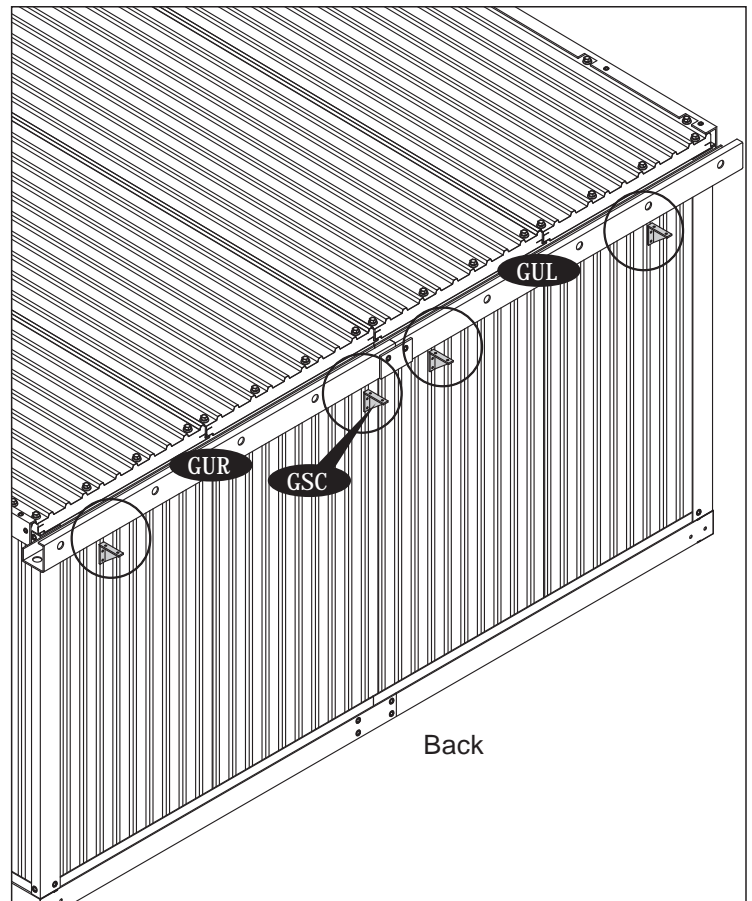
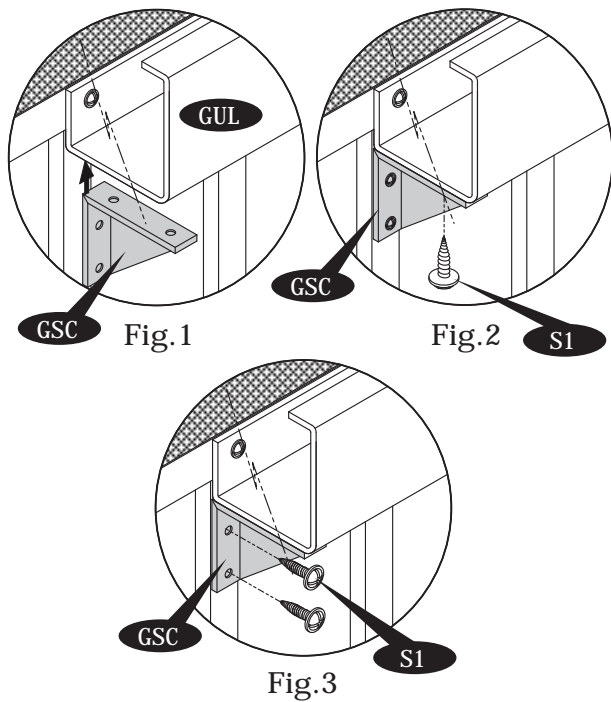


Note *Once gutter is installed apply silicon between the panel and gutter joint, to ensure a waterproof condition.*

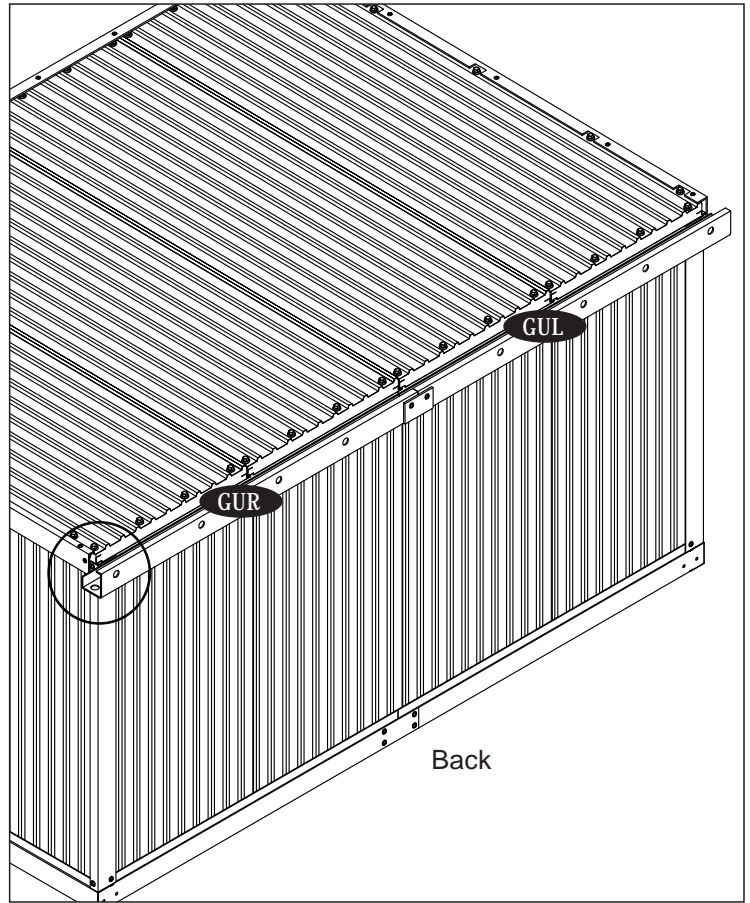
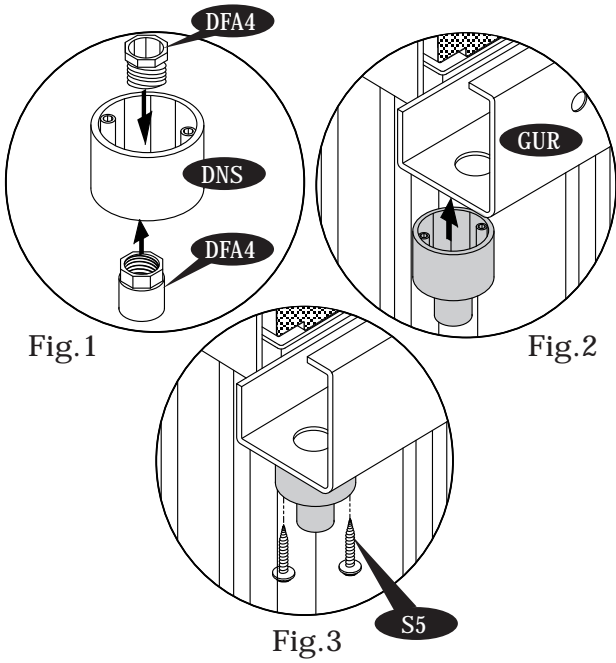
61. Place the Gutter joint (GJC) at the bottom of Gutter left & right and secure with (S1) screws. See fig.1,2 & 3.



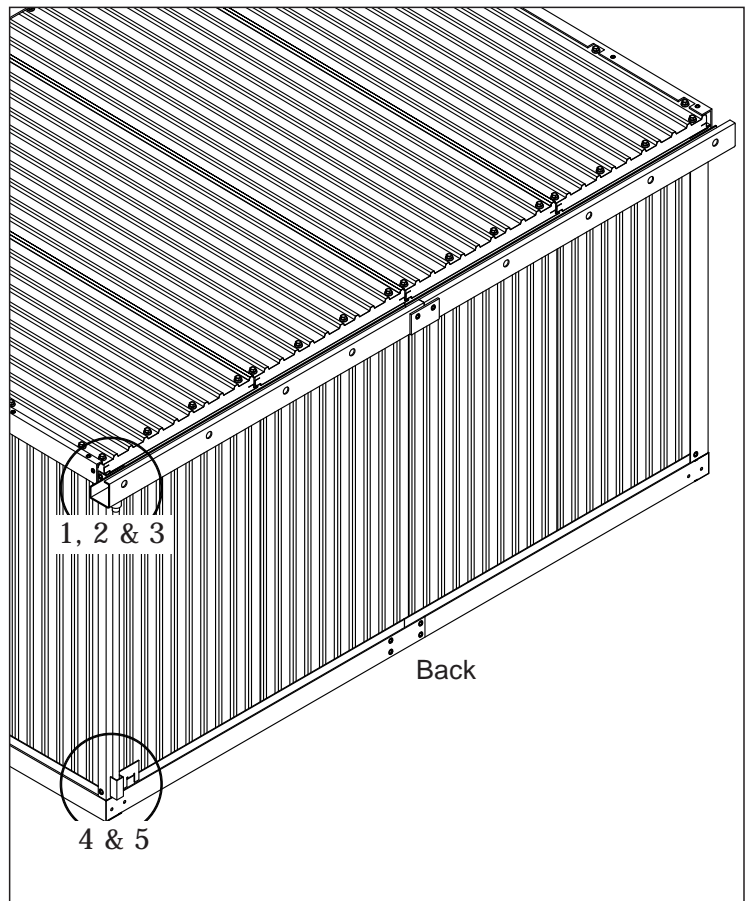
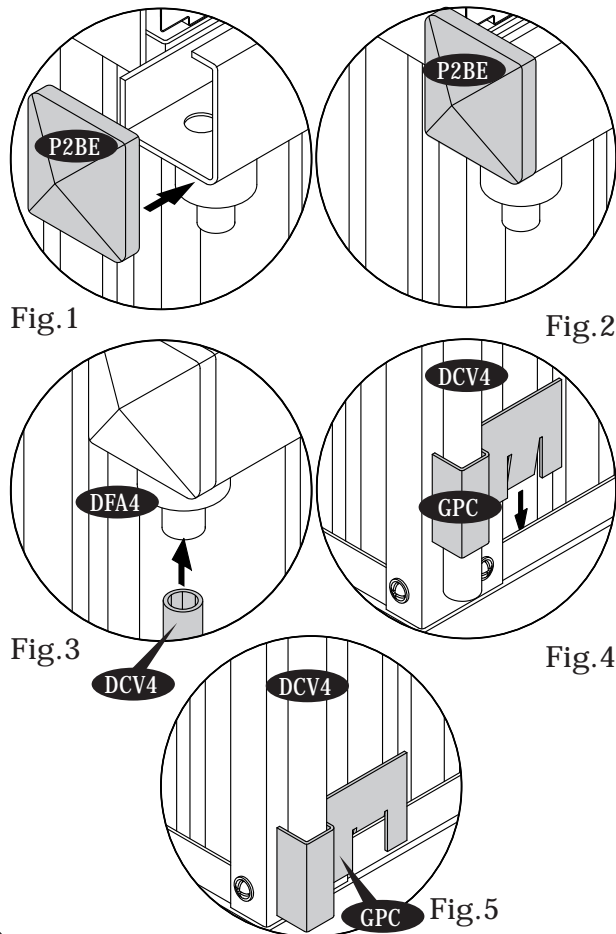
62. Place the Gutter support (GSC) at the bottom of Gutter. Secure with wall panel and Gutter by (S1) screws.



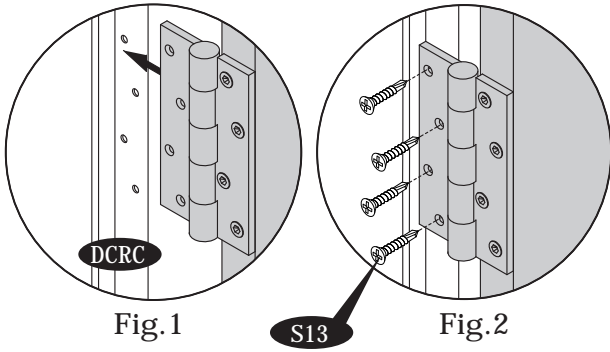
63. Assemble the female adaptor (DFA4) with No spout box (DNS) as shown in fig.1.
 Fix the No spout box assembly to the Gutter with (S5) screws as shown in fig.2 & 3.



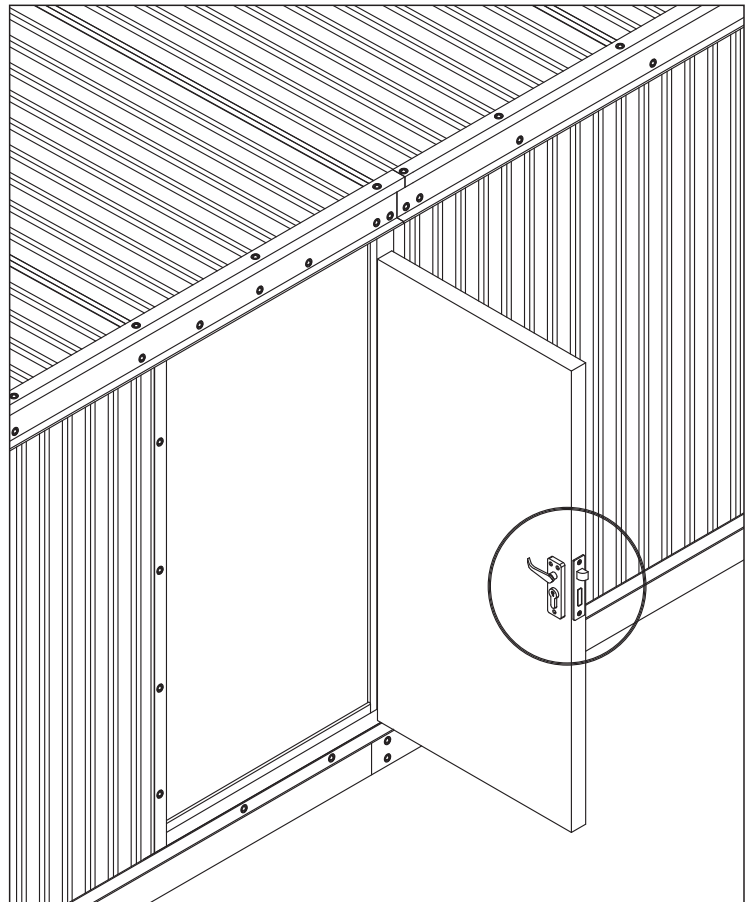
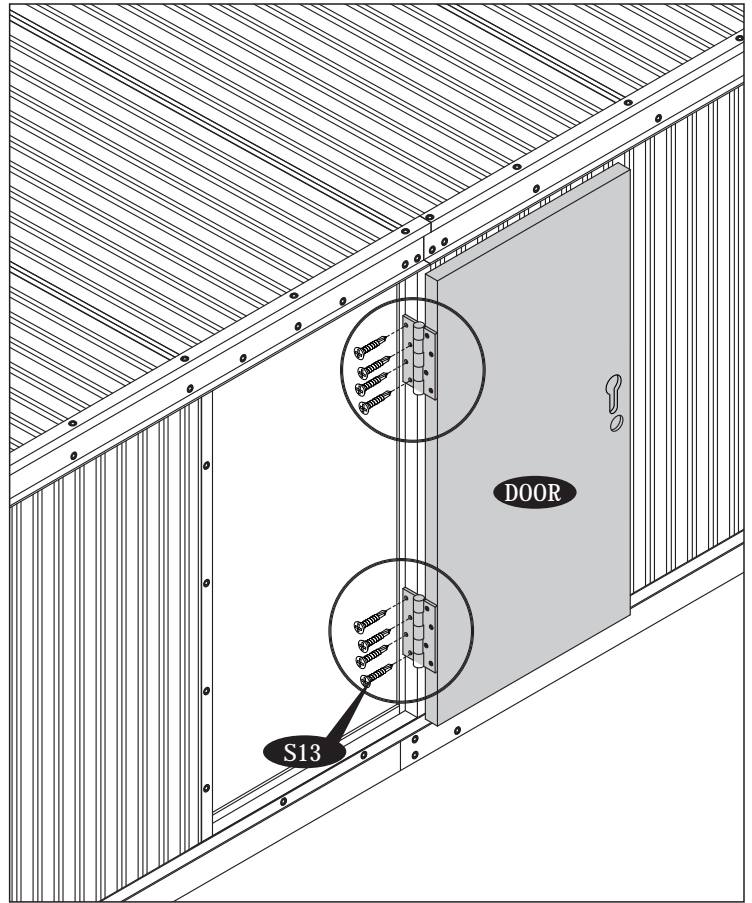
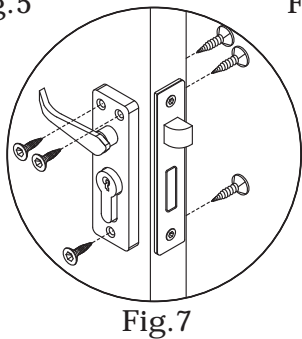
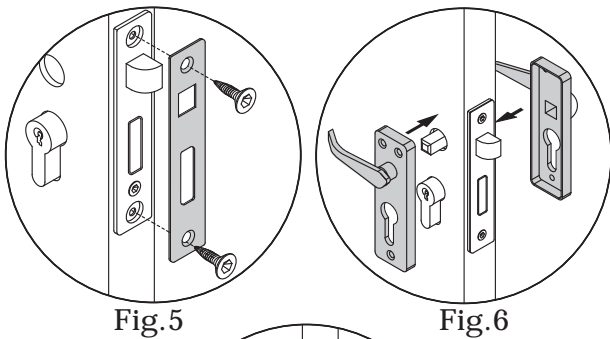
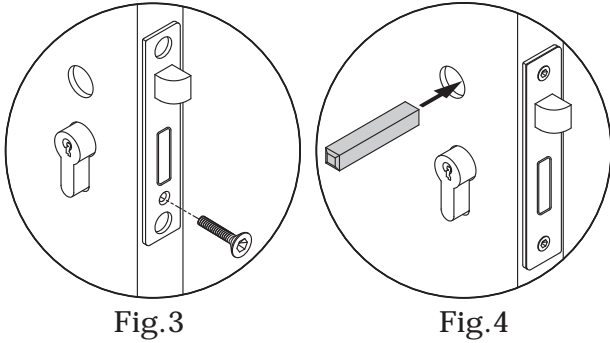
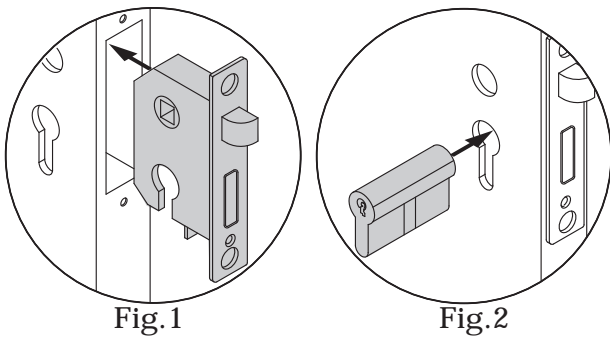
64. Insert the end cap (P2BE) at the both end of the gutter and secure with super glue. See fig.1&2. Insert the drainage pipe (DCV4) into the female adaptor (DFA4). See fig.3. Insert the Gutter pipe clamp (GPC) in between the base 'U' channel and wall panel. See fig.4&5.



65. Align the door hinges holes with door column right (DCRC) secure with (S13) screws.
See fig.1&2.

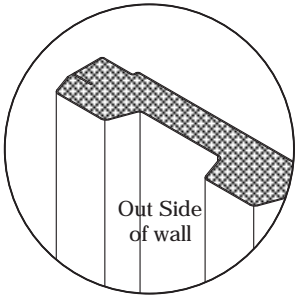


66. Assemble the door lock as shown in figure.

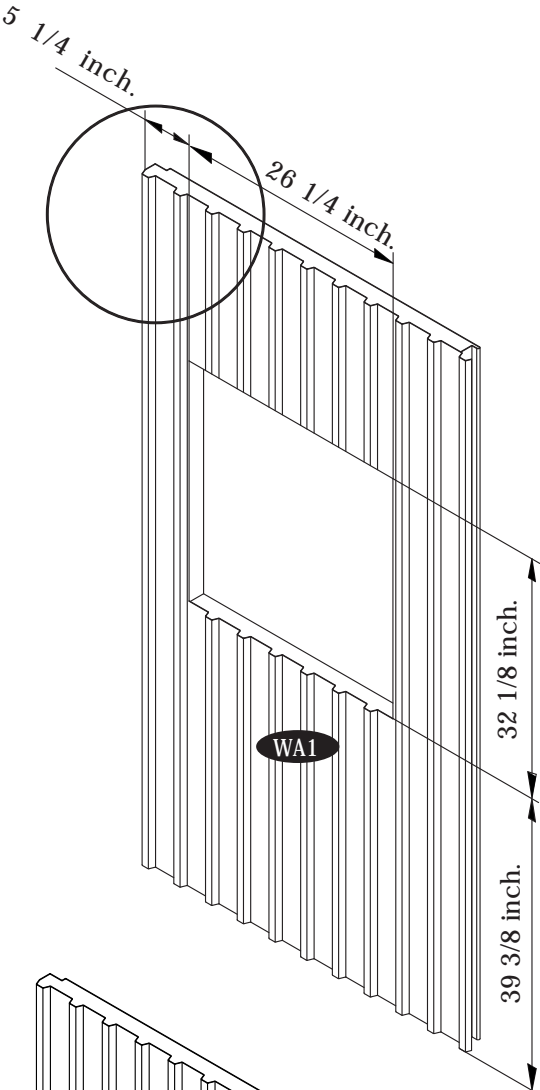


Window Assembly

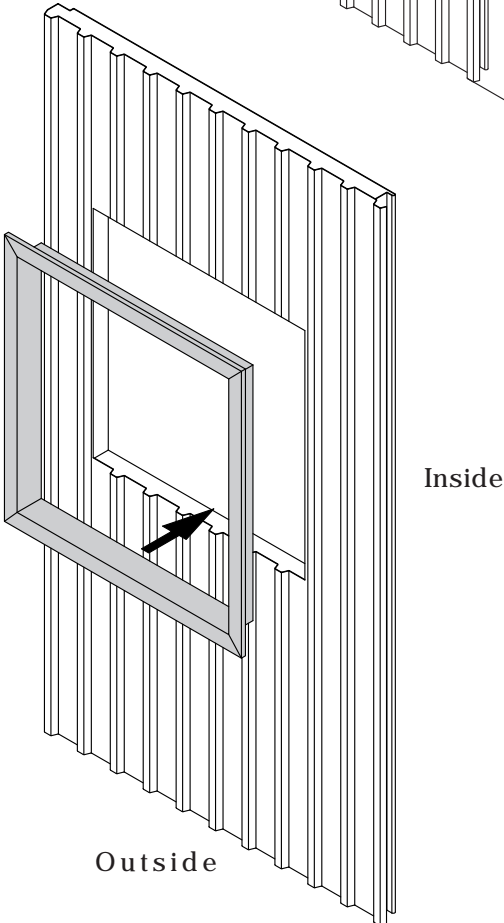
1. Using a jigsaw cut the wall panel on (WA1) as per shown the size.



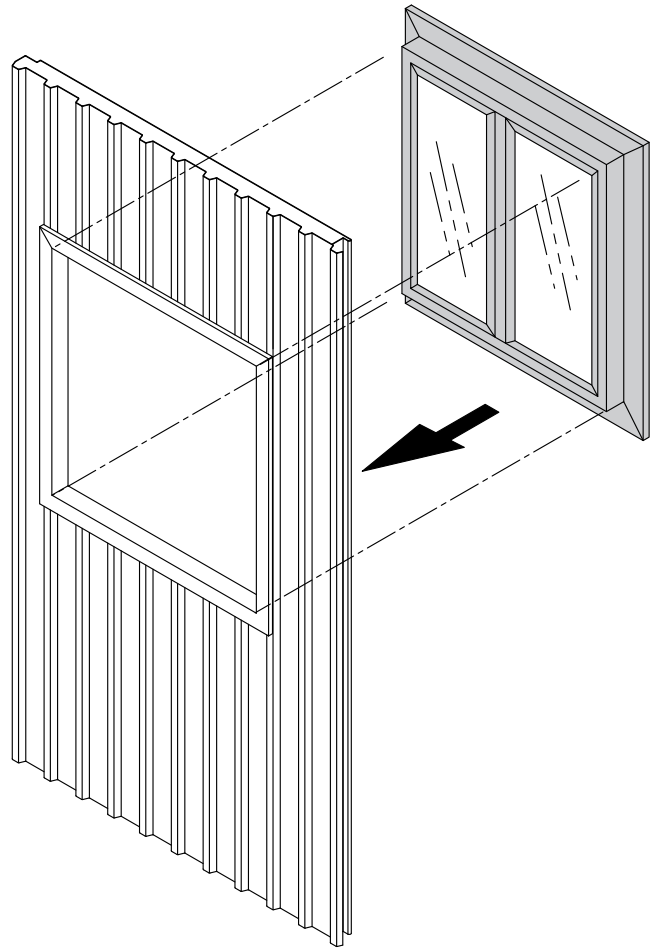
Reference Side



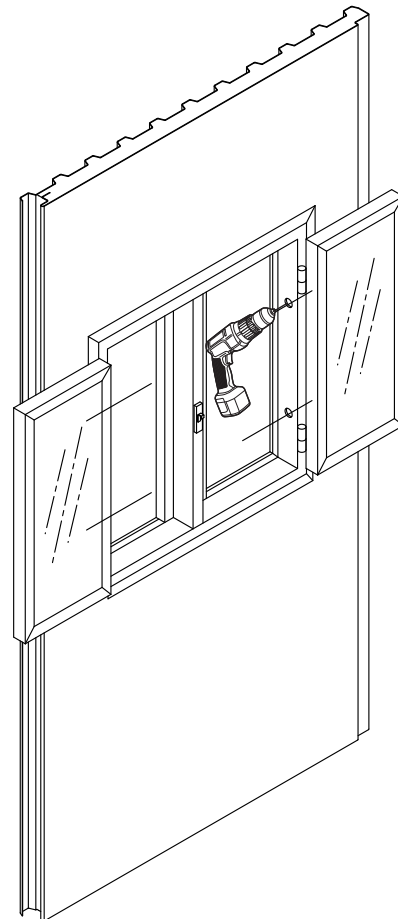
2. Insert the window frame into the wall panel from outside.



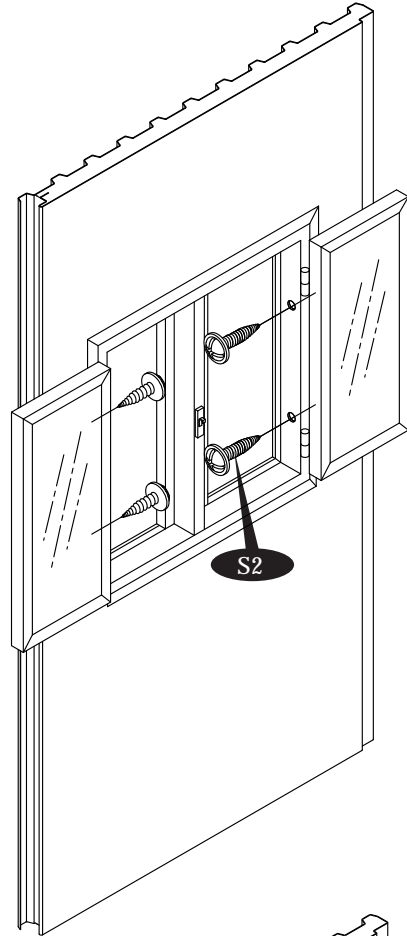
3. Insert the window into the window frame from inside.



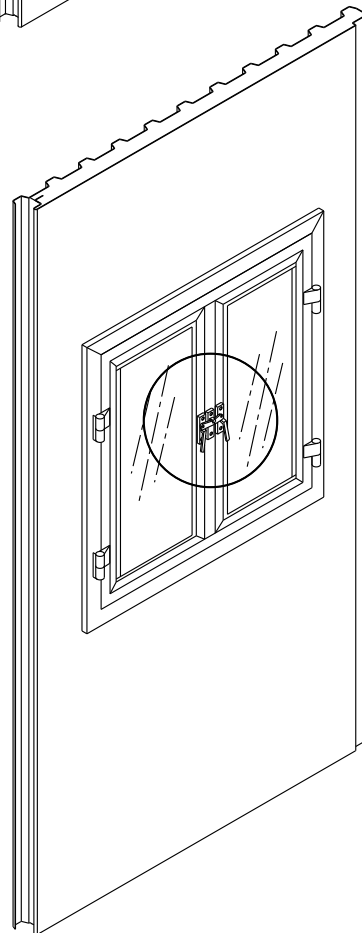
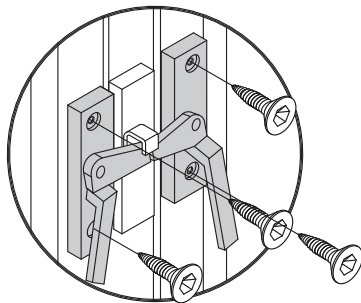
4. Drill 4 holes Dia. 1/8 inches on window frame through the pre drilled holes on window.



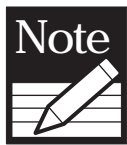
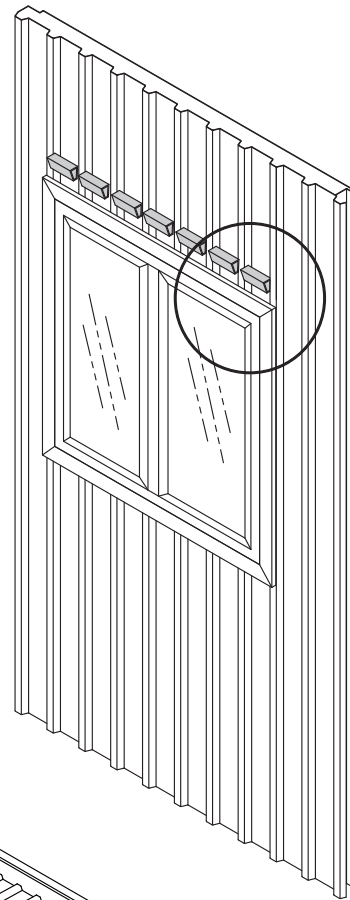
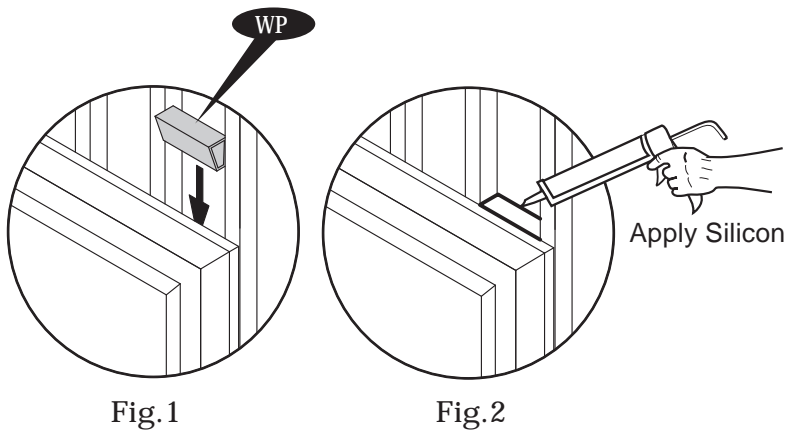
5. Secure the window with window frame by (S2) screws.



6. Assemble the window handle with screws.



7. Insert the window packing (WP) in between the window frame and wall panel. See fig.1. Fill the gap with silicon glue. See fig.2.



Note *Apply the silicon glue in between the roof panel and wall panel to avoid the water leakage.*

