

- NOTICE -

This playset product is not intended for public use. It is intended for residential application and is not warranted for public or commercial use.



2321

Call Us First!

DO NOT RETURN TO STORE.

**For immediate help with assembly or product information
call our toll-free number:**

1-866-890-2211

or email:

customerservice@backyard-play.com

Our staff is ready to provide assistance.

April through October M - F 8:00 AM to 7:00 PM EST

Saturday 8:30 AM to 4:30 PM EST

November through March M - F 8:00 AM to 5:00 PM EST

(This page intentionally left blank.)

Customer Service
1-866-890-2211
1000 Ternes
Monroe, MI 4816

Backyard Play Systems

Playset

Model:
4030, 4101,
4090, 4095

Recommended for Ages 3 to 11

- BEFORE YOU BEGIN -

Tools Required

7/16" Socket

Ratchet

Socket
Extension

Hammer

5 lb. Sledge

9/16" Combination
Wrench

#2 Square Drive
Bit (included)

Phillips Bit

Combo Drive Bit

Cordless Drill
w/Charger

1/8" Drill Bit

1/4" Drill Bit

Tape Measure

Level

C - Clamps

8' Step Ladder

First...

- Check with your homeowner's association before assembling.
- Read instructions thoroughly before you begin. If you have purchased accessories to accompany this play set, please read all installation instructions before beginning assembly of this structure.

Check All Parts

- If a part is missing, circle the part in question and call.

Important

- In a drawing, a dotted line represents a part hidden from view (like a part under a panel).

Adult Assistance required

- Assistance is necessary to handle, fit, and secure some components.

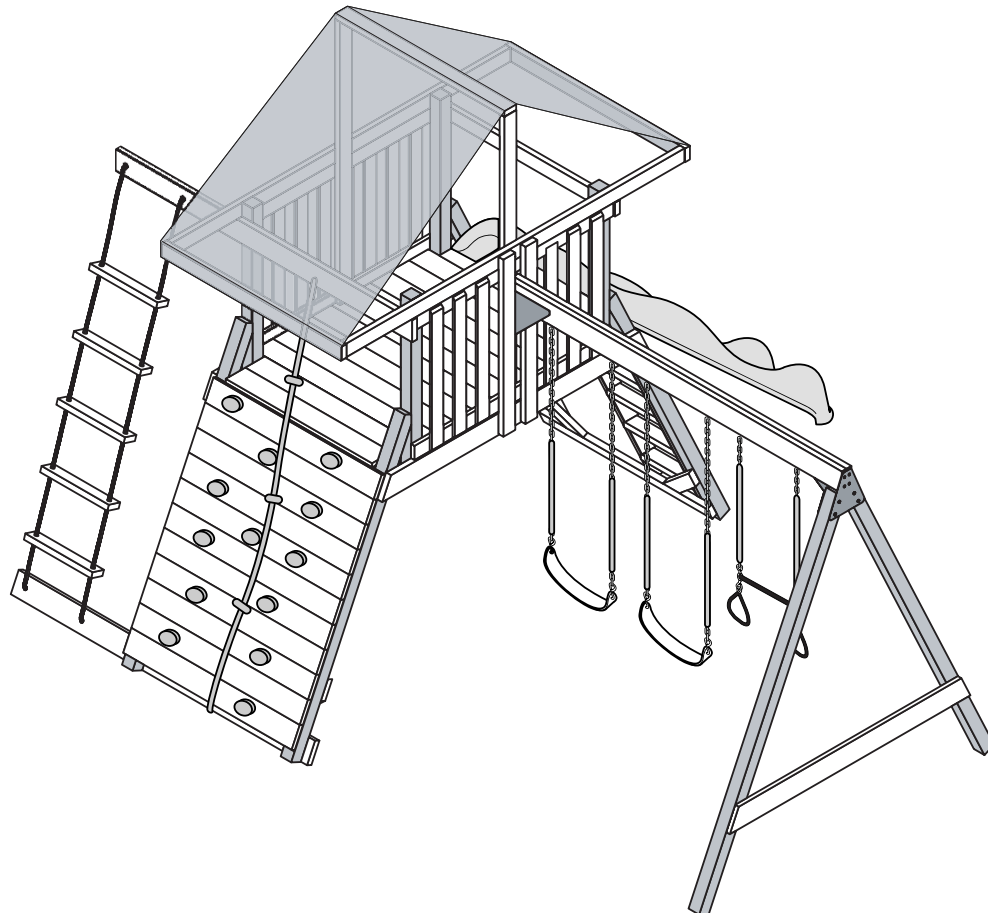
Squareness is very Important!

Start with a level surface and keep 90° corners and 90° perpendiculars throughout the assembly to ensure all components fit together.

Safety!

- Check for protruding screws and bolts, verify all screw and bolt lengths during assembly.

Always wear OSHA-APPROVED safety glasses throughout assembly process.



- NOTICE -

This playset product is not intended for public use. It is intended for residential application and is not warranted for public or commercial use.

Your premium playset is manufactured from wood which has many natural characteristics and blemishes that may be present in some of the pieces in your playset. These natural characteristics may include knots or minor cracks/splits. All individual parts have been cut to provide a smooth and safe surface. All parts have been inspected to assure we pack only the safest, most durable wood product. Any minor blemishes in your playset will not affect the strength, durability, or structural integrity of the finished product. Our limited warranty does not cover the imperfections not resulting in structural failure.

(This page intentionally left blank.)

ASSEMBLY SAFETY and HELPFUL HINTS

STOP!

STOP!!! Check all parts and hardware before beginning. If any parts are missing or damaged please circle and call the phone number listed.
DO NOT CONTACT THE STORE OR RETURN YOUR PLAYSET !

STOP!

KEEP THIS INSTALLATION MANUAL FOR FUTURE CARE AND MAINTENANCE REFERENCE.

To aid in making your playset assembly easier, here is a listing of some helpful hints.

- Wear safety glasses during drilling, assembly of your playset.
- Children should not be allowed in the playset assembly and build area.
- Note the hole orientation on parts to avoid having to take parts apart later.
- Some steps require the assistance of two people to ensure proper assembly, safety during assembly, as well as preventing any damage to the playset.



IMPORTANT HARDWARE INFORMATION



- All hex bolts and lag bolts require a lock washer or lock nut.
- To properly install lock nuts, two to three threads must protrude past the lock nut and be exposed once tightened.
- Acorn nuts provide protection in case screw threads protrude past a surface. Extra acorn nuts are provided for this reason. Please be certain to use these acorn nuts in the event this condition arises.
- If a bolt does not engage in a T-Nut, it may be necessary to first install without the washers and “grab” the T-Nut. Then back-out the bolt and install with specified washers.



- Due to wood characteristics and the manufacturing process hex bolts may protrude past a surface. If this condition occurs add additional supplied washers to eliminate bolt protrusion.
- To aid in proper assembly pound T-nuts into their respective hole prior to assembly
- Pound in T-nuts while the part is on the ground to ensure proper seating.
- Use a soft material under parts when pounding in T-nuts to ensure no scratching or de-facing of parts.



- Make sure all fasteners used are as specified. Using a fastener not specified in a particular application may result in too much thread exposure or not enough thread engagement.

SAFETY WARNINGS

STOP!

Please read carefully. Observing the following statements and warnings reduces the likelihood of serious or fatal injury.

STOP!

- This playset has been designed for use by a maximum of ten occupants at one time having a combined weight of 1,500 pounds. (This weight does not include occupants on the optional monkey bars, glider, or tire swing).
- This playset is recommended for children (3) through (11) years of age.
- On-site adult supervision for children of all ages is recommended.
- Instruct children not to walk close to, in front of, behind, or between moving items.
- Instruct children not to twist swing chains or ropes or loop them over the top support bar since this may reduce the strength of the chain or rope.
- Instruct children to avoid swinging empty seats.
- Teach children to sit in the center of the swings with their full weight on the seats.
- Instruct children not to use the equipment in a manner other than intended.
- Instruct children not to get off equipment while it is in motion.
- Parents should dress children appropriately (examples would include the use of well-fitting shoes and the avoidance of ponchos, scarves, and other loose-fitting clothing that is potentially hazardous while using equipment).
- Instruct children not to climb when the equipment is wet. Slippery surfaces may cause a hazard.
- Verify that suspended climbing ropes, chain, or cable are secured at both ends.
- Verify that suspended climbing ropes, chain, or cable cannot be looped back on itself.
- Instruct children not to attach items to the playground equipment that are not specifically designed for use with the equipment, such as, but not limited to, jump ropes, clothesline, pet leashes, cables and chain as they may cause a strangulation hazard.
- Instruct children to remove their bike or other sports helmet before playing on the playground equipment.
- Instruct children to not walk or run up slides.
- Instruct children to not pick up slides or ramps as this may cause damage or breakage.
- Place the equipment on level ground not less than six (6) feet from any obstructions. Be sure to look overhead for any obstructions above the playset.
- Do not use the equipment until fully erected per this playset instruction manual, bolts tightened and the playset is anchored to the ground.

NOTICE:

This playset product is not intended for public use. It is intended for residential application and is not warranted for public or commercial use.


MAINTENANCE

STOP!

Periodic maintenance is required to ensure safe enjoyment of your playset and optional accessories.

STOP!

Observing the following procedures reduces the likelihood of serious or fatal injury.

-  **Activity on your playset and optional accessories may loosen fasteners. Check all lock nuts, hex and lag bolts, quick clips, spring clips, acorn nuts, wood screws, and swing hangers for tightness and tighten as required. T-nuts should be inspected for full and proper seating into the wood.**
- Checking, splitting and surface cracking are characteristics of all wooden playsets. This is caused by varying seasonal temperatures and moisture conditions. To minimize this checking and/or cracking you may coat your playset with a water repellent.
- The color of your playset is from a process called MicroShade™ and involves adding pigment into the wood as it is pressure treated. This process results in colorant throughout the wood which helps minimize surface markings being visible. The appearance of your playset with MicroShade will last about two years with no stain application. You may wish to apply a water repellent which will benefit the wood and help minimize splitting, checking and surface cracking

PLAYSET CHECKLIST

At the beginning of each play season:

- Tighten all hardware.
- Lubricate all metallic moving parts per manufacturer's instructions.
- Check all protective coverings on bolts, pipes, edges, and corners. Replace if they are loose, cracked, or missing.
- Check all moving parts including swing seats, ropes, cables, and chains for wear, rust, or other deterioration. Replace as needed.
- Check metal parts for rust. If found, sand and repaint using a nonleaded-based paint meeting the requirements of 16 CFR 1303.
- Check all wood members for deterioration and splinters. Sand down splinters and replace deteriorating wood members.
- Reinstall any plastic parts, such as swing seats or any other items that were removed for the cold season.
- Rake and check depth of loose fill protective surfacing materials to prevent compaction and to maintain appropriate depth. Replace as necessary.

Twice a month during play season:

- Tighten all hardware.
- Check all protective coverings on bolts, pipes, edges, and corners. Replace if they are loose, cracked, or missing.
- Rake and check depth of loose fill protective surfacing materials to prevent compaction and to maintain appropriate depth. Replace as necessary.

Once a month during play season:

- Lubricate all metallic moving parts per manufacturer's instructions.
- Check all moving parts including swing seats, ropes, cables, and chains for wear, rust, or other deterioration. Replace as needed.
- At the end of each play season or when the temperature drops below 10°F remove plastic swing seats, tents, sandbox cover, tire swing, slide and other items as specified by the manufacturer and take indoors or do not use.
- Rake and check depth of loose fill protective surfacing materials to prevent compaction and to maintain appropriate depth. Replace as necessary.

When you are ready to dispose of your playset, make sure that all metal, plastic and wood components are disposed of in accordance with local waste ordinances.

Buyer and/or owner should disassemble and dispose of the playground equipment in such a way that no unreasonable hazards will exist at the time the swing set is discarded. Do not burn your playset's preserved wood.

PLAYGROUND SURFACING MATERIALS

SECTION 4 OF THE CONSUMER PRODUCT SAFETY COMMISSION'S OUTDOOR HOME PLAYGROUND SAFETY HANDBOOK⁹

Select Protective Surfacing

One of the most important things you can do to reduce the likelihood of serious head injuries is to install shock-absorbing protective surfacing under and around your play equipment. The protective surfacing should be applied to a depth that is suitable for the equipment height in accordance with ASTM Specification F 1292. There are different types of surfacing to choose from; whichever product you select, follow these guidelines:

NOTE: Do not install home playground equipment over concrete, asphalt, or any other hard surface. A fall onto a hard surface can result in serious injury to the equipment user. Grass and dirt are not considered protective surfacing because wear and environmental factors can reduce their shock absorbing effectiveness. Carpeting and thin mats are generally not adequate protective surfacing. Ground level equipment – such as a sandbox, activity wall, playhouse or other equipment that has no elevated play surface – does not need any protective surfacing.

Maximum fall height for this playset is 82”.

Loose-Fill Materials:

- ❑ Maintain a minimum depth of 9 inches of loose-fill materials such as wood mulch/chips, engineered wood fiber (EWF), or shredded/recycled rubber mulch for equipment up to 8 feet high; and 9 inches of sand or pea gravel for equipment up to 5 feet high. NOTE: An initial fill level of 12 inches will compress to about a 9- inch depth of surfacing over time. The surfacing will also compact, displace, and settle, and should be periodically refilled to maintain at least a 9- inch depth.
- ❑ Use a minimum of 6 inches of protective surfacing for play equipment less than 4 feet in height. If maintained properly, this should be adequate. (At depths less than 6 inches, the protective material is too easily displaced or compacted.)
- ❑ Use containment, such as digging out around the perimeter and/or lining the perimeter with landscape edging. Don't forget to account for water drainage. U.S Consumer Product Safety Commission, Washington, D.C., 20207 or call the toll-free hotline :1-800-638-2772
- ❑ Check and maintain the depth of the loose-fill surfacing material. To maintain the right amount of loose-fill materials, mark the correct level on play equipment support posts. That way you can easily see when to replenish and/or redistribute the surfacing.
- ❑ **Do not** install loose fill surfacing over hard surfaces such as concrete or asphalt.

Poured-In-Place Surfaces or Pre-Manufactured Rubber Tiles:

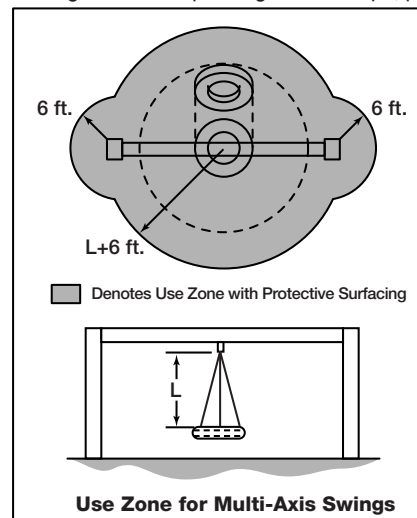
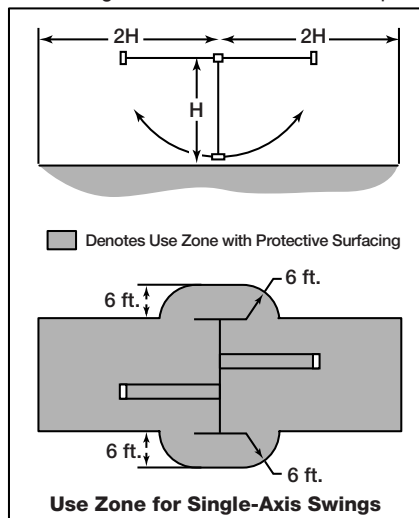
You may be interested in using surfacing other than loose-fill materials – like rubber tiles or poured-in-place surfaces.

- ❑ Installations of these surfaces generally require a professional and are not “do-it-yourself” projects.
- ❑ Review surface specifications before purchasing this type of surfacing. Ask the installer/manufacturer for a report showing that the product has been tested to the following safety standard: ASTM F 1292 Standard Specification for Impact Attenuation of Surfacing Materials within the Use Zone of Playground Equipment. This report should show the specific height for which the surface is intended to protect against serious head injury. This height should be equal to or greater than the fall height – vertical distance between a designated play surface (elevated surface for standing, sitting, or climbing) and the protective surfacing below – of your play equipment.
- ❑ Check the protective surfacing frequently for wear.

Placement

Proper placement and maintenance of protective surfacing is essential. Be sure to

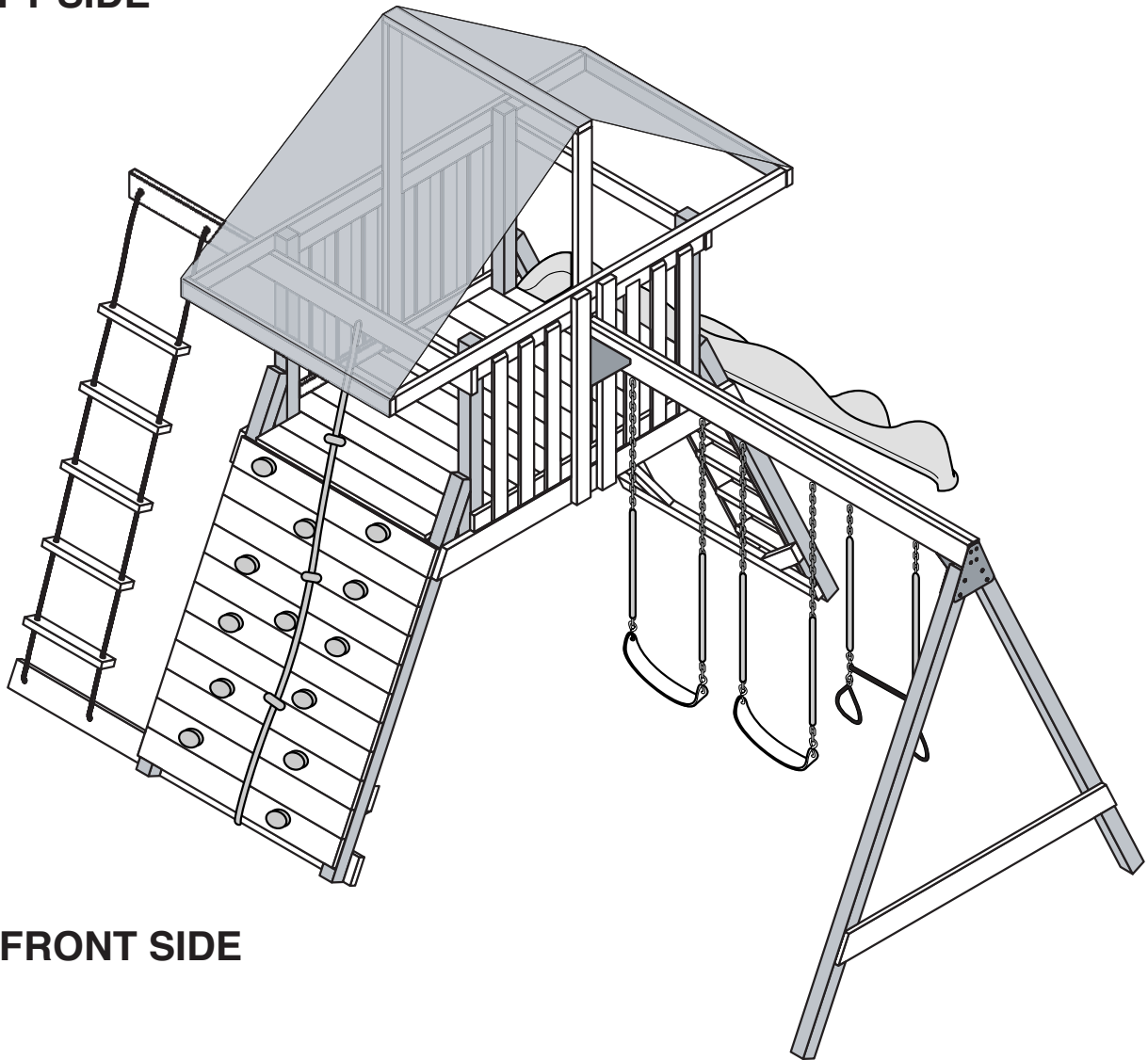
- ❑ Extend surfacing at least 6 feet from the equipment in all directions.
- ❑ For to-fro swings, extend protective surfacing in front of and behind the swing to a distance equal to twice the height of the top bar from which the swing is suspended.
- ❑ For tire swings, extend surfacing in a circle whose radius is equal to the height of the suspending chain or rope, plus 6 feet in all directions.



⁹ This information has been extracted from the CPSC publications “Playground Surfacing—Technical Information Guide” and “Handbook for Public Playground Safety.” Copies of these reports can be obtained by sending a postcard to the: Office of Public Affairs, U.S. Consumer Product Safety Commission, Washington, D.C., 20207 or call the toll-free hotline: 1-800-638-2772

***Hint -**
Throughout this manual references made to the *Left Side*, the *Right Side* and the *Front* of the playset serve as a consistent reminder to help with assembly:

LEFT SIDE



FRONT SIDE

RIGHT SIDE

IMPORTANT!

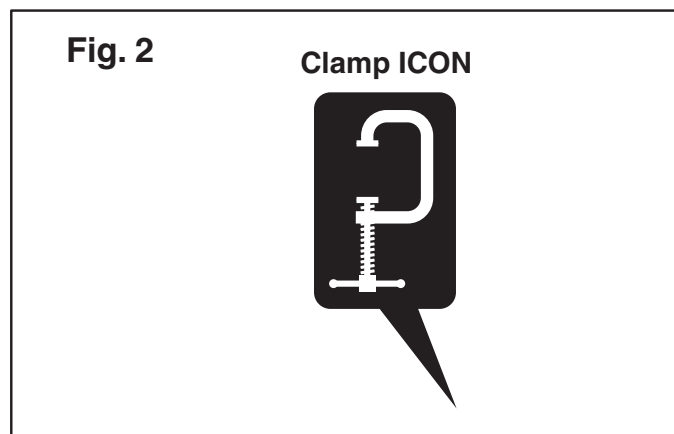
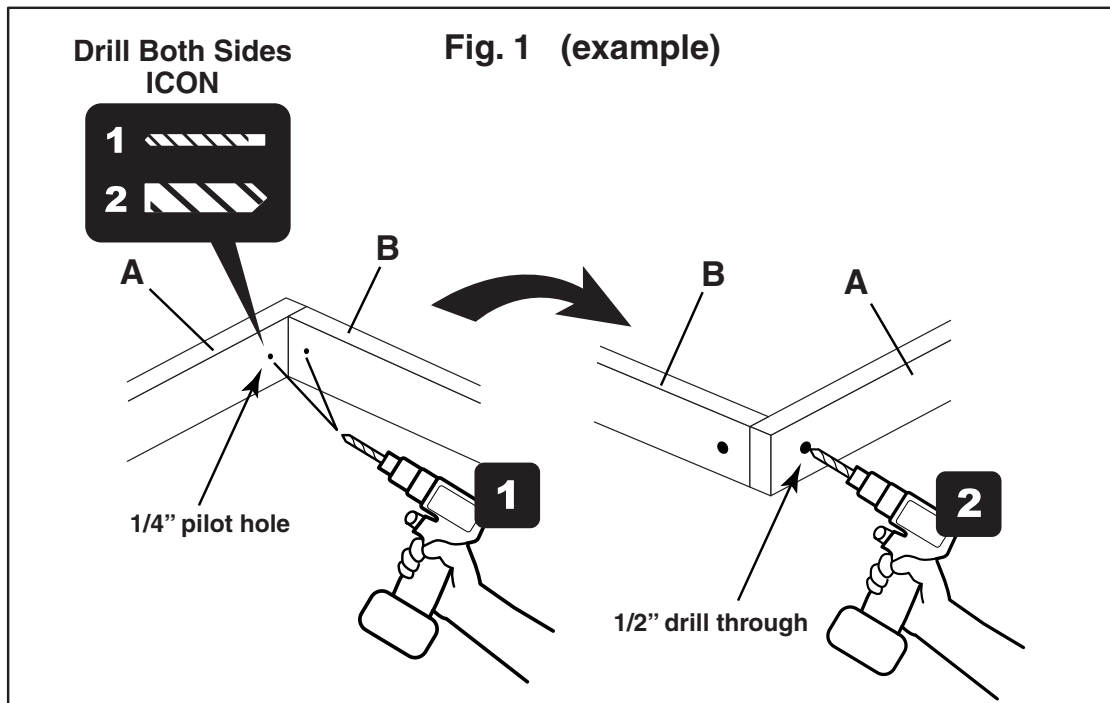
Use these Assembly Procedure Hints throughout the installation process.



1. All Lag Bolts must have pre-drilled holes. Use a 1/4" drill bit for all 3/8" Lag Bolts. Use a 3/16" drill bit for all 5/16" Lag Bolts. Pre-drilling pilot holes will help prevent Screws and Lag Bolts from breaking and wood from splintering during assembly.

DO NOT OVER-TIGHTEN LAG BOLTS

2. In areas where drilling a larger 1/2" hole is necessary, such as when installing T-Nuts, (Fig. 1) the recommended procedure is to first drill-through a 1/4" pilot hole from the Hex Bolt side and then drill the larger 1/2" hole from the opposite T-Nut side. This will help avoid splintering the wood. The "Drill Both Sides ICON" (Fig. 1) will remind you to drill according to this procedure. Be sure to clean through-holes of debris before inserting Hex Bolts.
3. When assembling parts that are difficult to hold in position while pre-drilling pilot holes or assembling, use a clamp to keep parts aligned or in position. The "Clamp ICON" (Fig. 2) will advise you to use this procedure.



BASE PARTS LIST

WOOD PARTS

<p>2 x 4 x 47-7/8"</p> <p>1021-MS x1</p>	<p>2 x 4 x 96"</p> <p>1023-MS x2</p>
<p>2 x 4 x 51"</p> <p>1022-MS x2</p>	<p>2 x 4 x 69-1/2"</p> <p>1024-MS x2</p>

WOOD SIZE CONVERSION CHART

Nominal Board Size	Actual Size
1" x 4"	3/4" x 3-3/8"
1" x 6"	3/4" x 5-3/8"
5/4" x 4"	1" x 3-1/2"
5/4" x 6"	1" x 5-1/2"
2" x 4"	1-3/8" x 3-3/8"
2" x 6"	1-3/8" x 5-3/8"
4" x 4"	3-1/4" x 3-1/4"

<p>2 x 4 x 65-1/8"</p> <p>2315-MS x1</p>	<p>2 x 4 x 59-1/8"</p> <p>2316-MS x1</p>	<p>2 x 4 x 15-3/8"</p> <p>1051-MS x6</p>
---	---	---

<p>5/8 x 3-1/4 x 34-1/2"</p> <p>2324-MS x14</p>	<p>1 x 4 x 56-1/2"</p> <p>1037-MS x4</p>	<p>2 x 4 x 15"</p> <p>1053-MS x1</p>
--	---	---

<p>3 x 3 x 77"</p> <p>2325-MS x4</p>	<p>3 x 3 x 44-1/8"</p> <p>2310-MS x4</p>
---	---

<p>2 x 6 x 75-1/2"</p> <p>1001-MS x4</p>	<p>5/4 x 6 x 67-1/2"</p> <p>1085-MS x1</p>
---	---

<p>2 x 4 x 51"</p> <p>1009-MS x2</p>	<p>5/4 x 6 x 47-3/4"</p> <p>1029-MS x8</p>	<p>5/4 x 4-1/4 x 47-3/4"</p> <p>1033-MS x1</p>	<p>5/4 x 6 x 41-1/2"</p> <p>2312-MS x4</p>
---	---	---	---

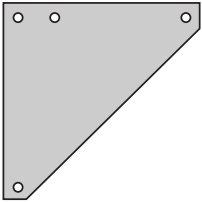
<p>2 x 6 x 84"</p> <p>1088-MS x2</p>	<p>2 x 4 x 43-1/2"</p> <p>2311-MS x2</p>	<p>5/4 x 6 x 47-3/4"</p> <p>1026-MS x11</p>
---	---	--

<p>2-3/4 x 5-3/8 x 94-1/2"</p> <p>2314-MS x1</p>	<p>3 x 3 x 92-1/2"</p> <p>1210-MS x2</p>
---	---

<p>5/4 x 6 x 68-1/4"</p> <p>1017-MS x1</p>	<p>2 x 4 x 18"</p> <p>1020-MS x4</p>	<p>2 x 4 x 19"</p> <p>1025-MS x5</p>	<p>1-x 1-3/8 x 17"</p> <p>1015-MS x6</p>
---	---	---	---

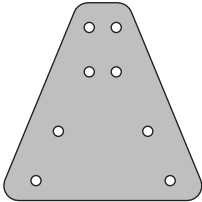
B A S E H A R D W A R E

Swing Beam Flat Plate



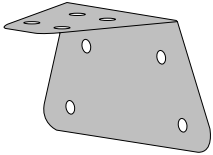
2023 x2

Swing Beam Flat Plate



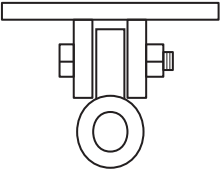
2098-H x1

Swing Beam Angled Plate



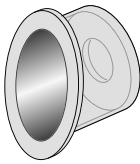
2106-H x1

Swing Hanger



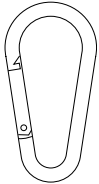
2003 x6

Plastic Hole-Plug Angled



Angle plug x4

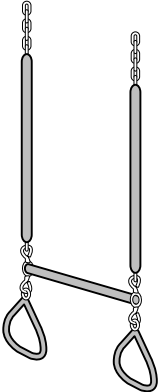
Spring Clip



2004 x6

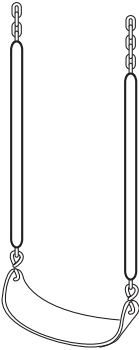
B A S E A C C E S S O R I E S

Trapeze Bar



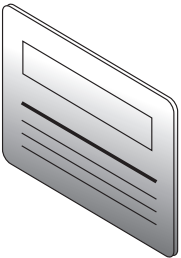
2074 x1

Sling Swing



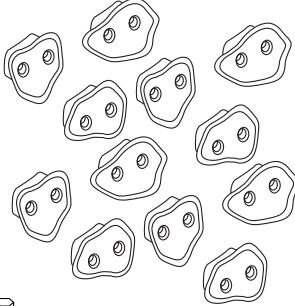
Green **2000** x2

Plaque



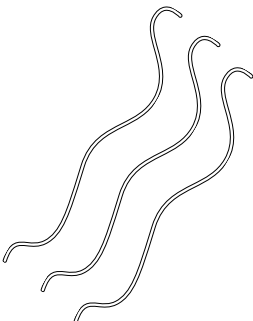
2167 x1

Climbing Rocks



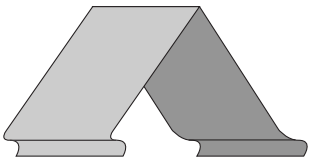
2014 x13

Rope



2017-B x3

Tent Tarp



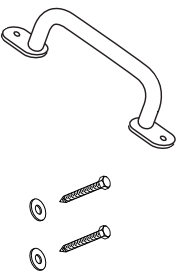
2082 x1

Slide



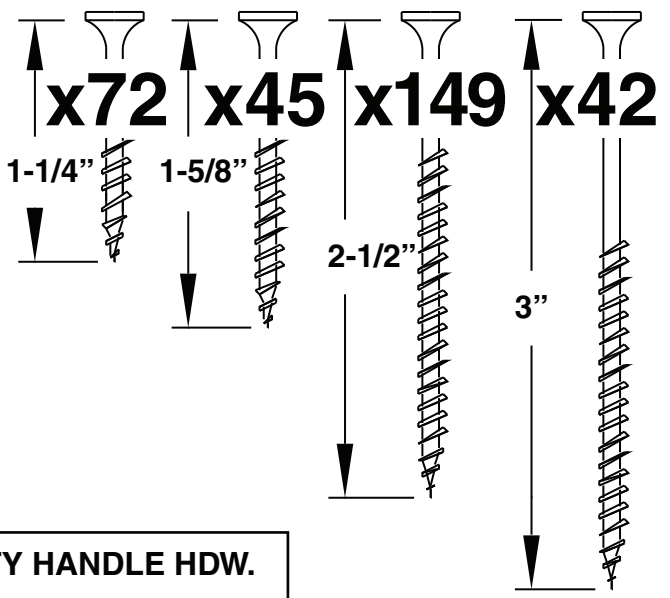
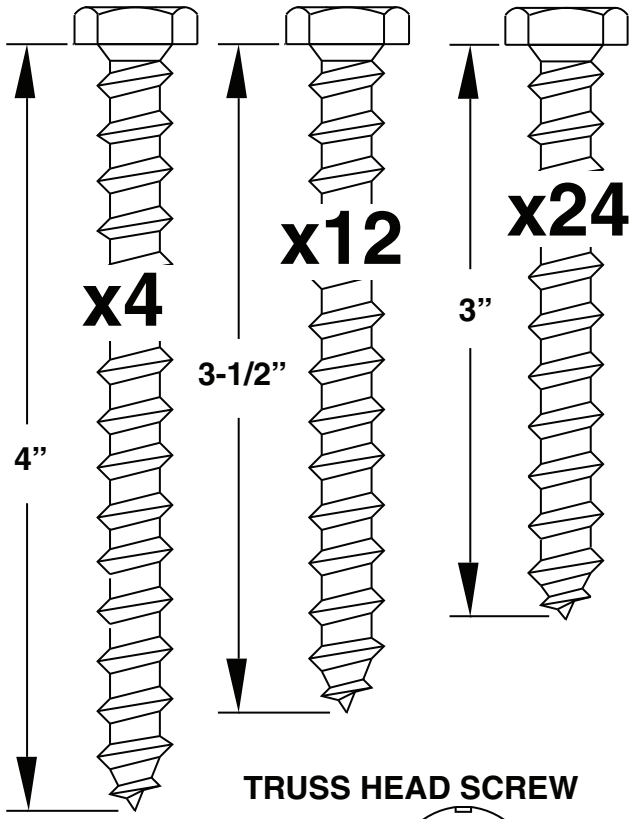
2015 x1

Safety Handle

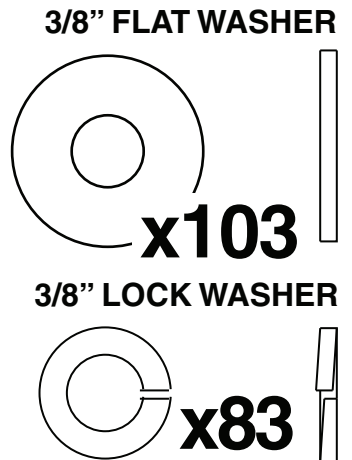
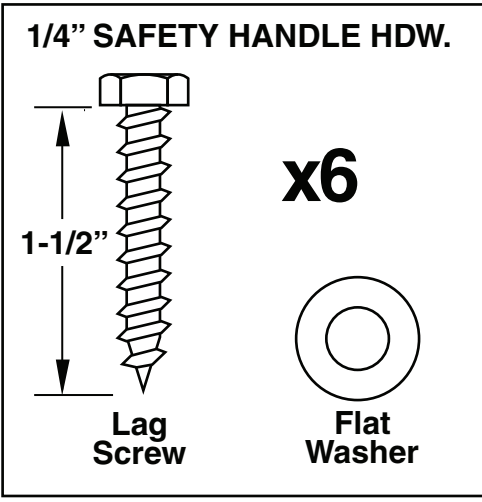
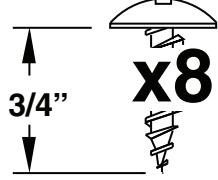


2007 x3

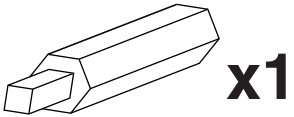
ACTUAL SIZE SHOWN
WOODSCREWS



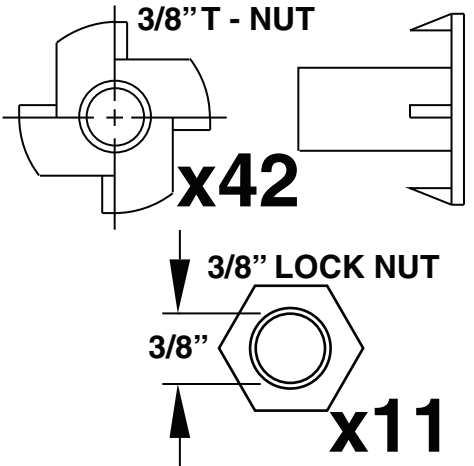
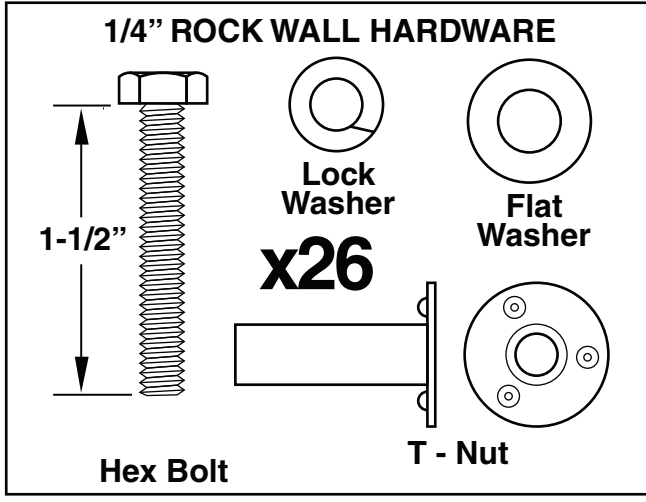
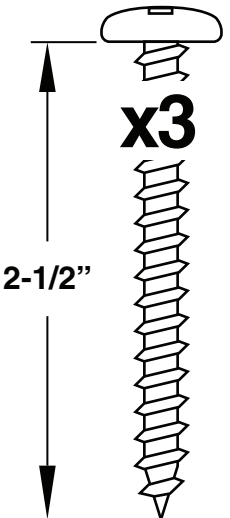
TRUSS HEAD SCREW



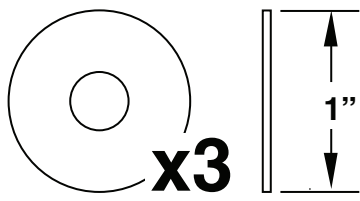
#2 SQUARE DRIVE BIT



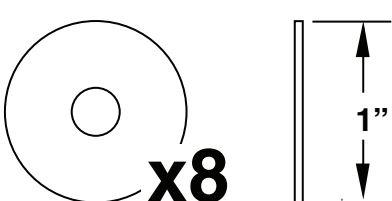
2-1/2" PAN HEAD SCREW



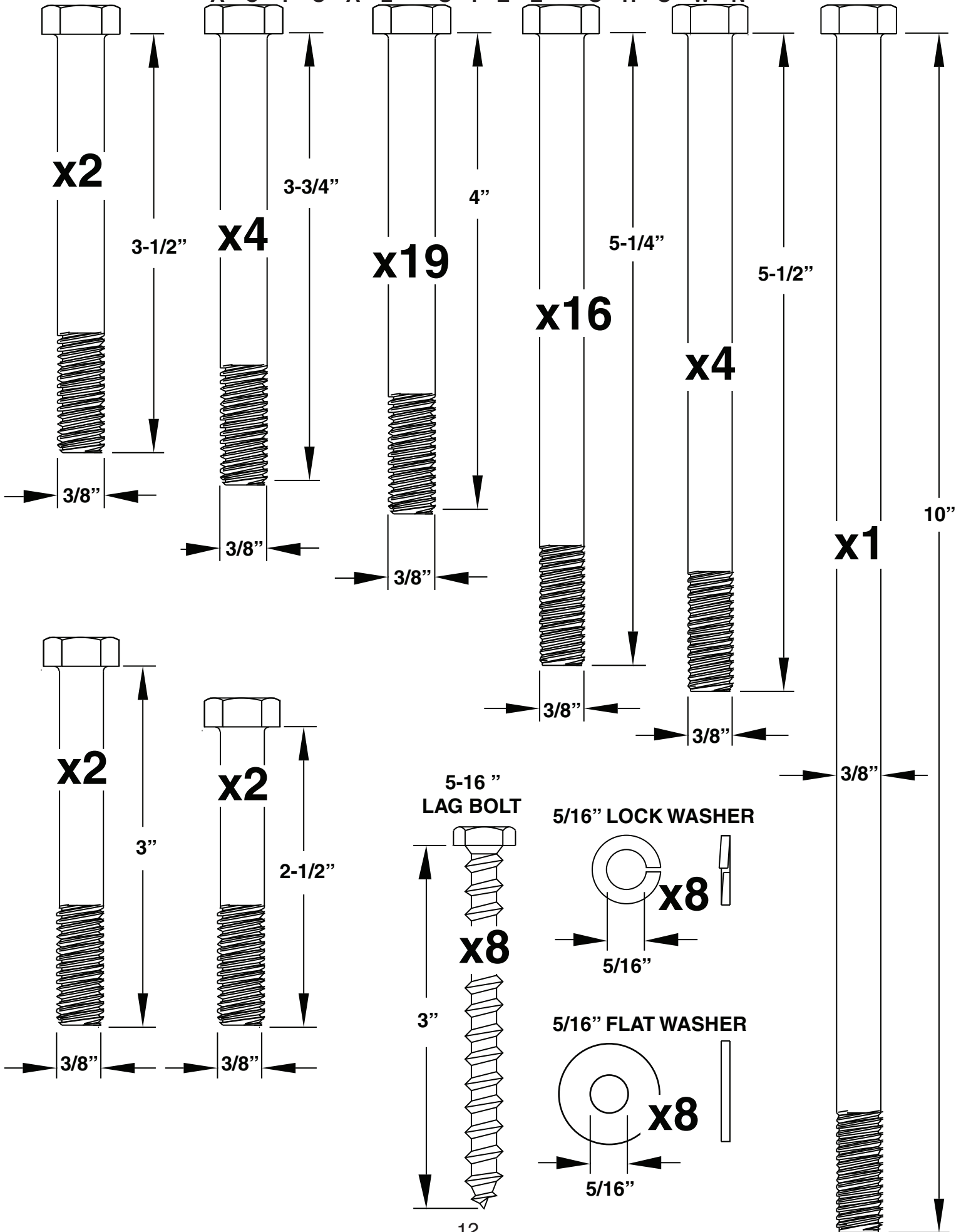
1/4" x 1" FENDER WASHER



3/16" x 1" FENDER WASHER



A C T U A L S I Z E S H O W N



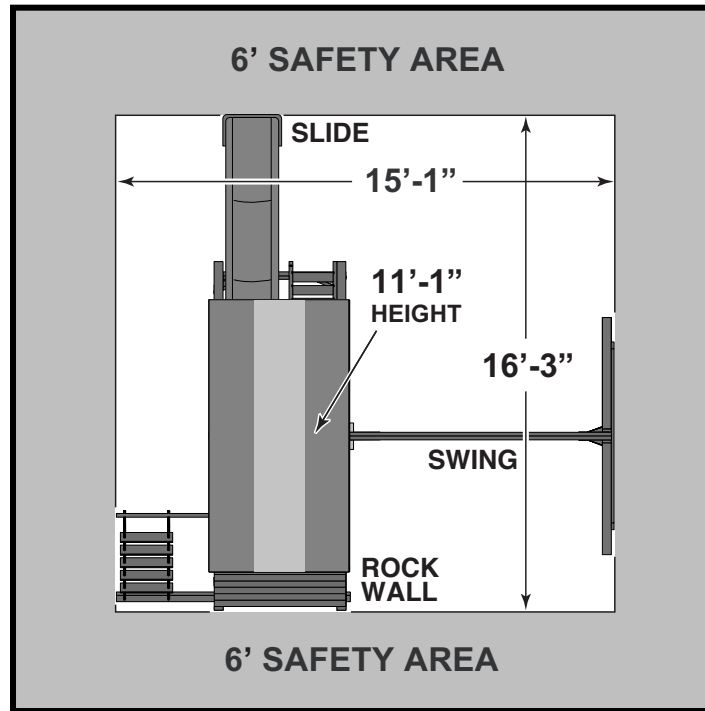
SET-UP

ORIENTATION

BACK SIDE

LEFT SIDE

RIGHT SIDE



FRONT SIDE

SET-UP

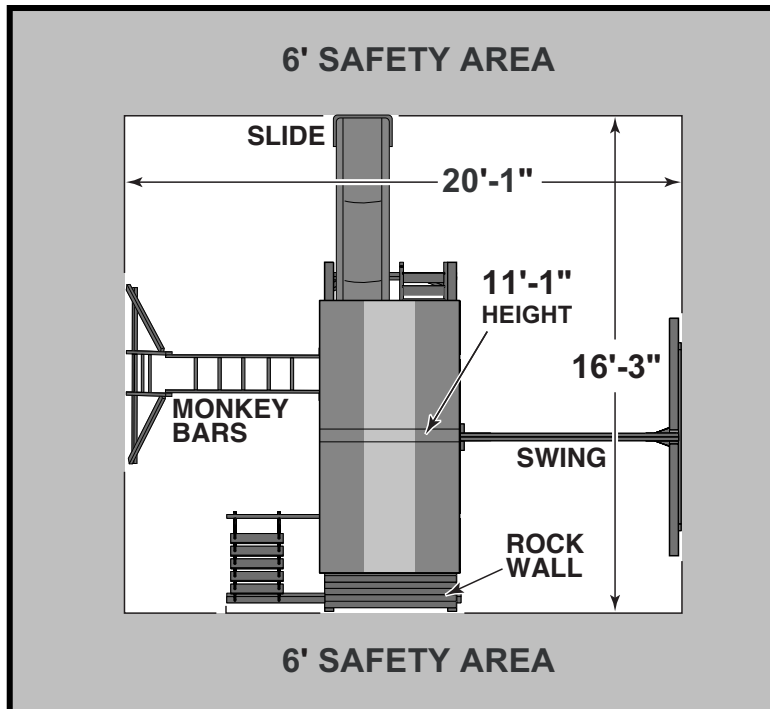
ORIENTATION

BACK SIDE

**BASE PLAYSET
WITH
MONKEY BARS**

LEFT SIDE

RIGHT SIDE



FRONT SIDE

FORT

PARTS LAYOUT

***IMPORTANT!**
Lay Out Corner Posts
as shown.

*Orient the 2-holes of 1033-MS
UP if you have the
Tire Swing Option.*

*Orient the 2-holes of 1033-MS
DOWN if you don't
have the Tire Swing Option.*

5/4 x 4-1/4 x 47-3/4"
1033-MS x1

3 x 3 x 44-1/8"
2310-MS x4

5/4 x 4-1/4 x 47-3/4"
1033-MS x1

5/4 x 6 x 47-3/4"
1029-MS x8

5/4 x 6 x 41-1/2"
2312-MS x4

LEFT

FRONT

1001-MS x4
2 x 6 x 75-1/2"

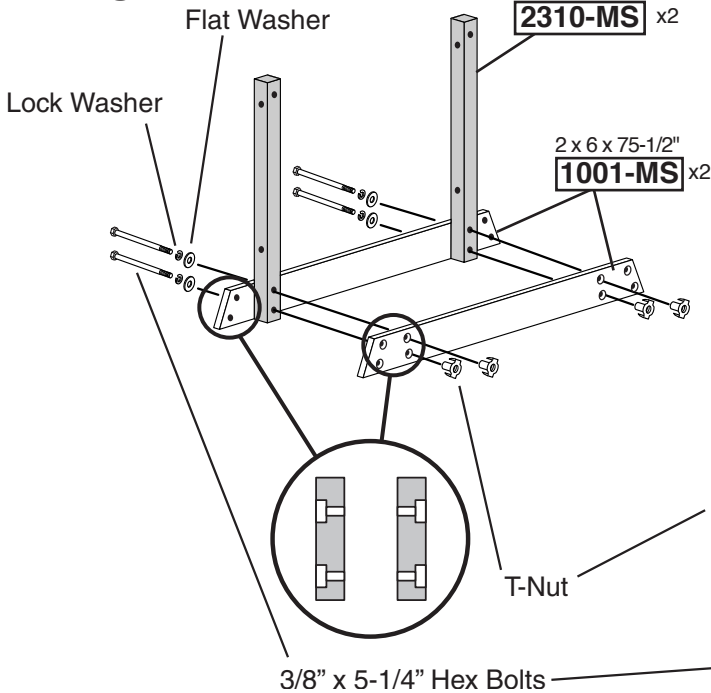
RIGHT

IMPORTANT!
Install 1001-MS with
counterbores oriented
as shown.

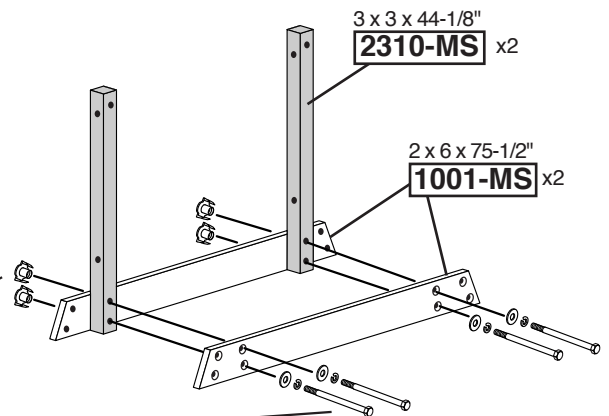
FORT

CORNER POSTS / FLOOR SUPPORTS

LEFT SIDE



RIGHT SIDE



FORT

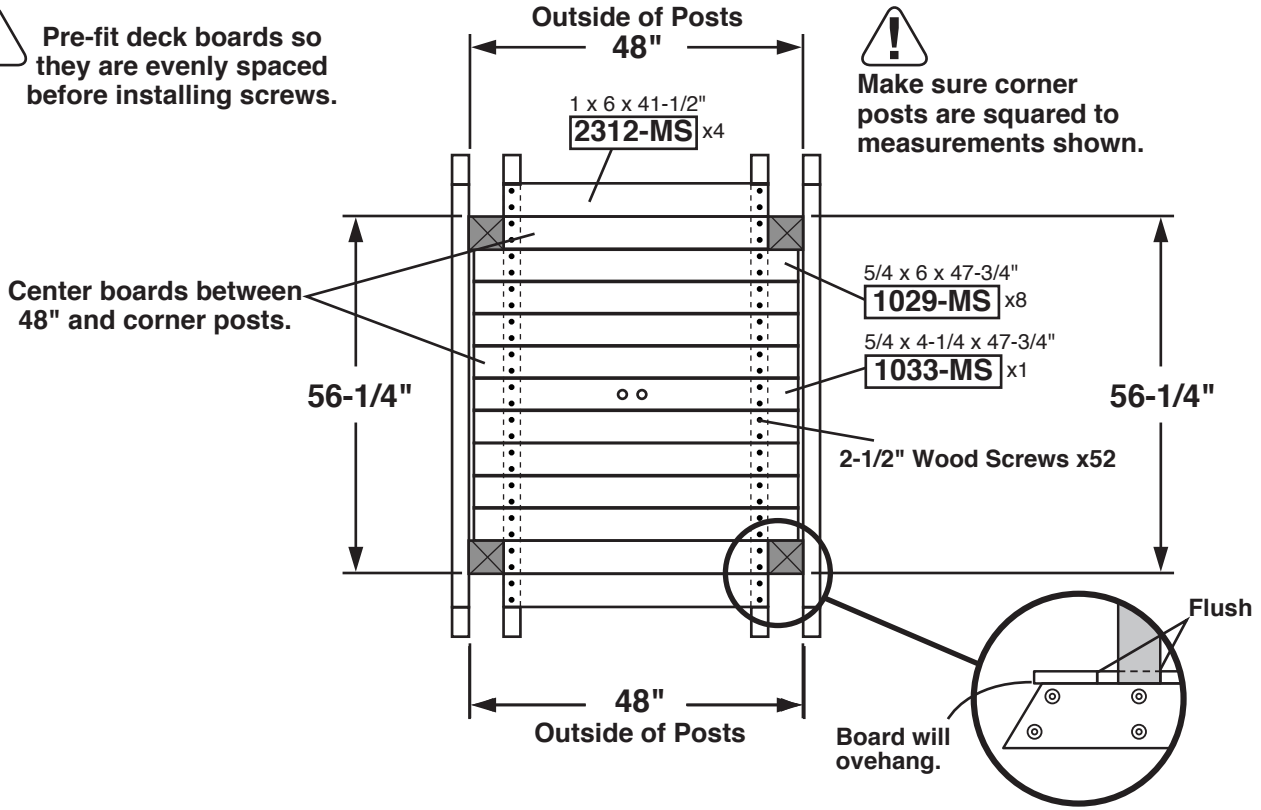
CORNER POSTS / FLOOR



Pre-fit deck boards so they are evenly spaced before installing screws.

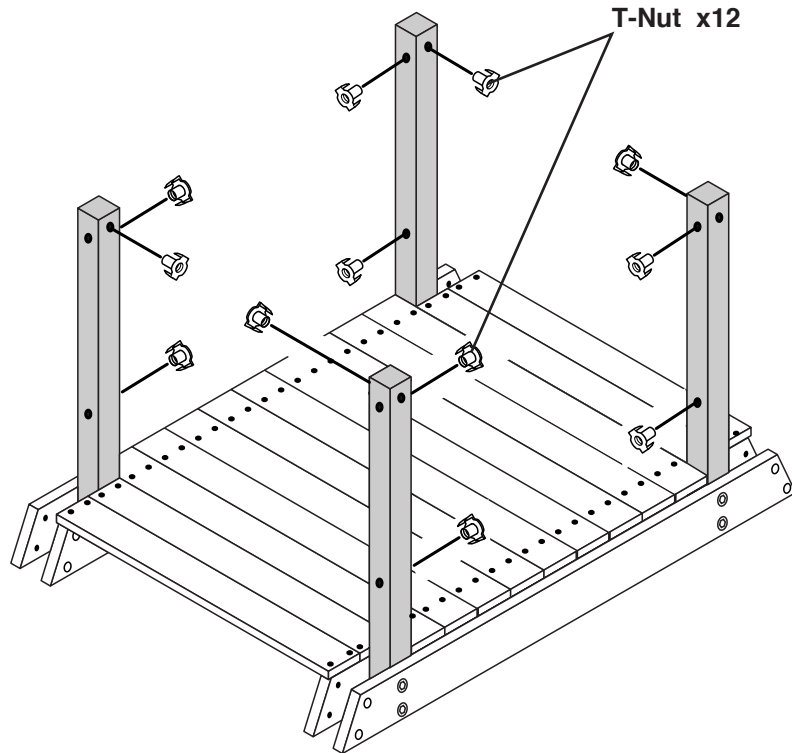


Make sure corner posts are squared to measurements shown.



FORT

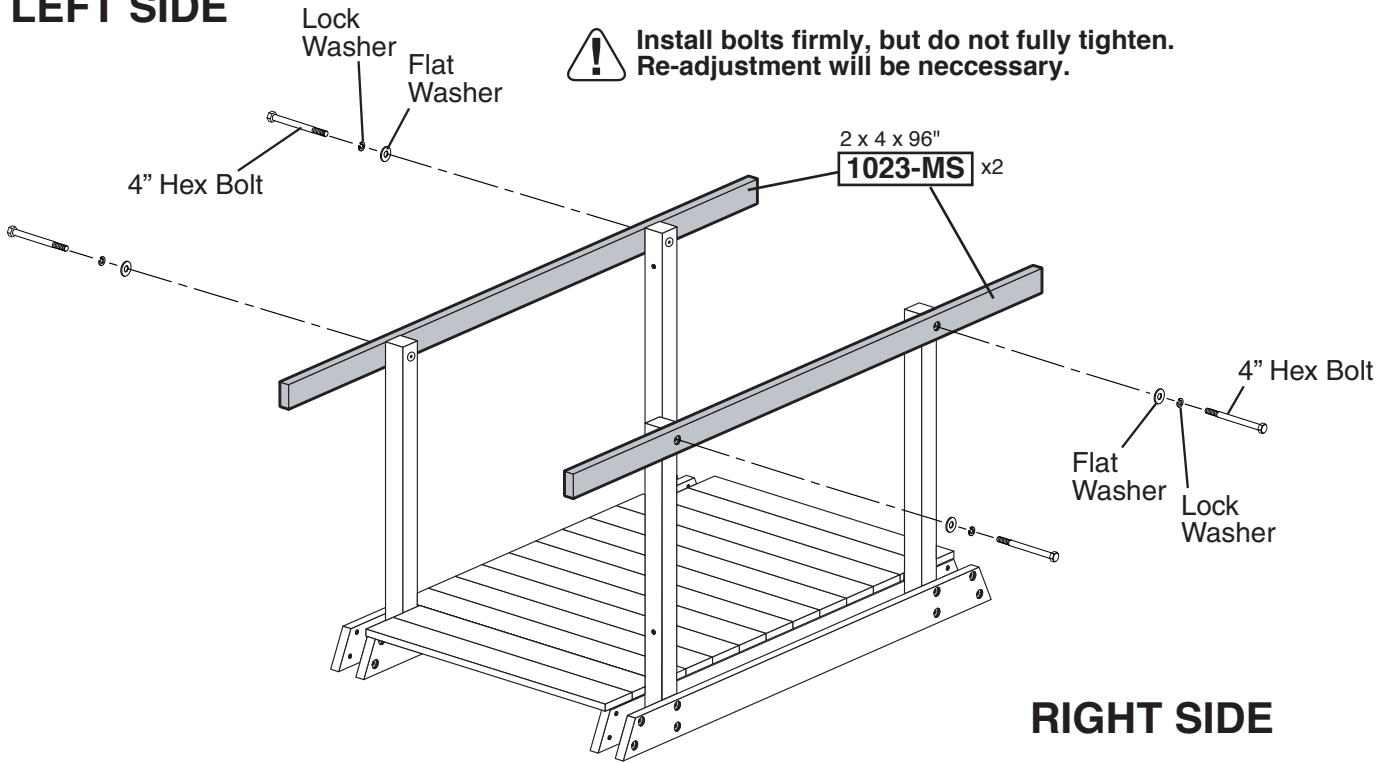
CORNER POSTS / FLOOR



FORT

TENT SIDE RAILS

LEFT SIDE

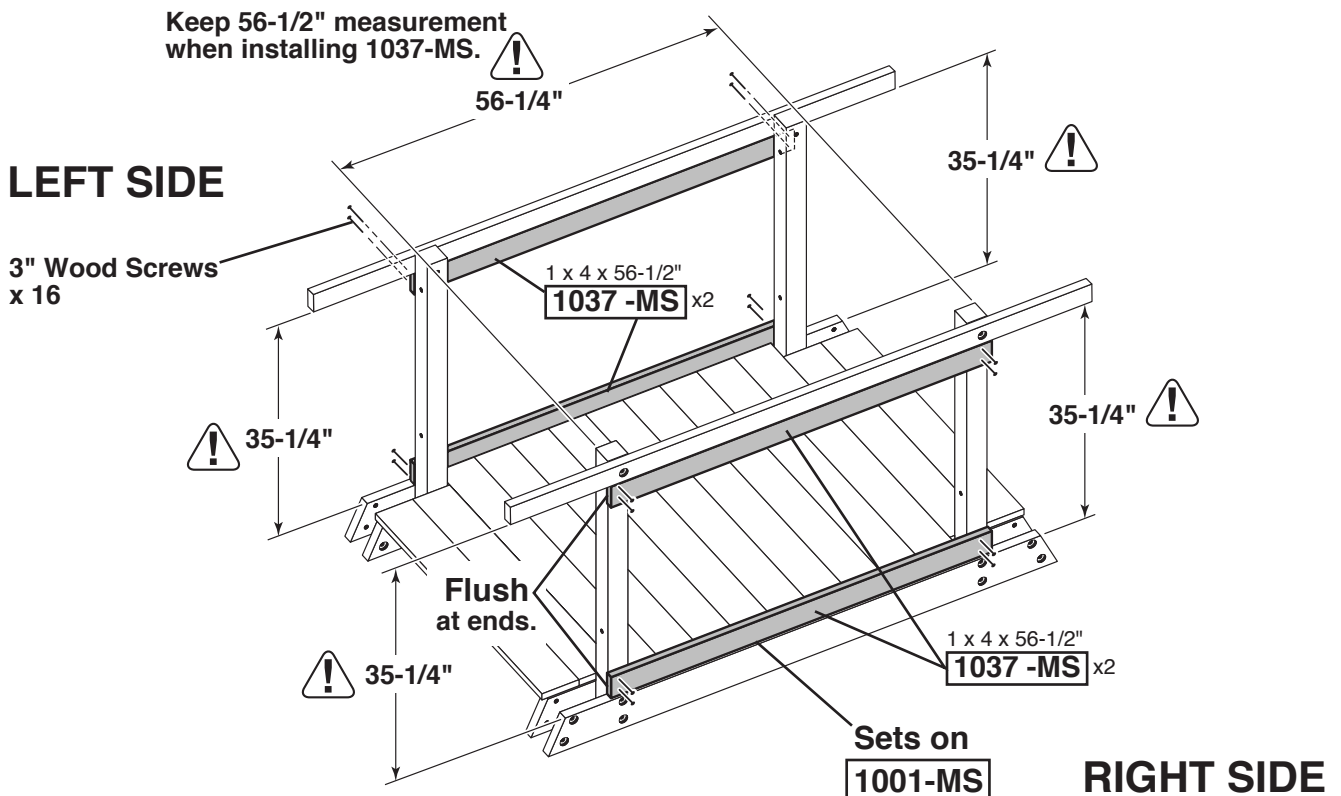


RIGHT SIDE

FORT

SIDE WALLS

LEFT SIDE



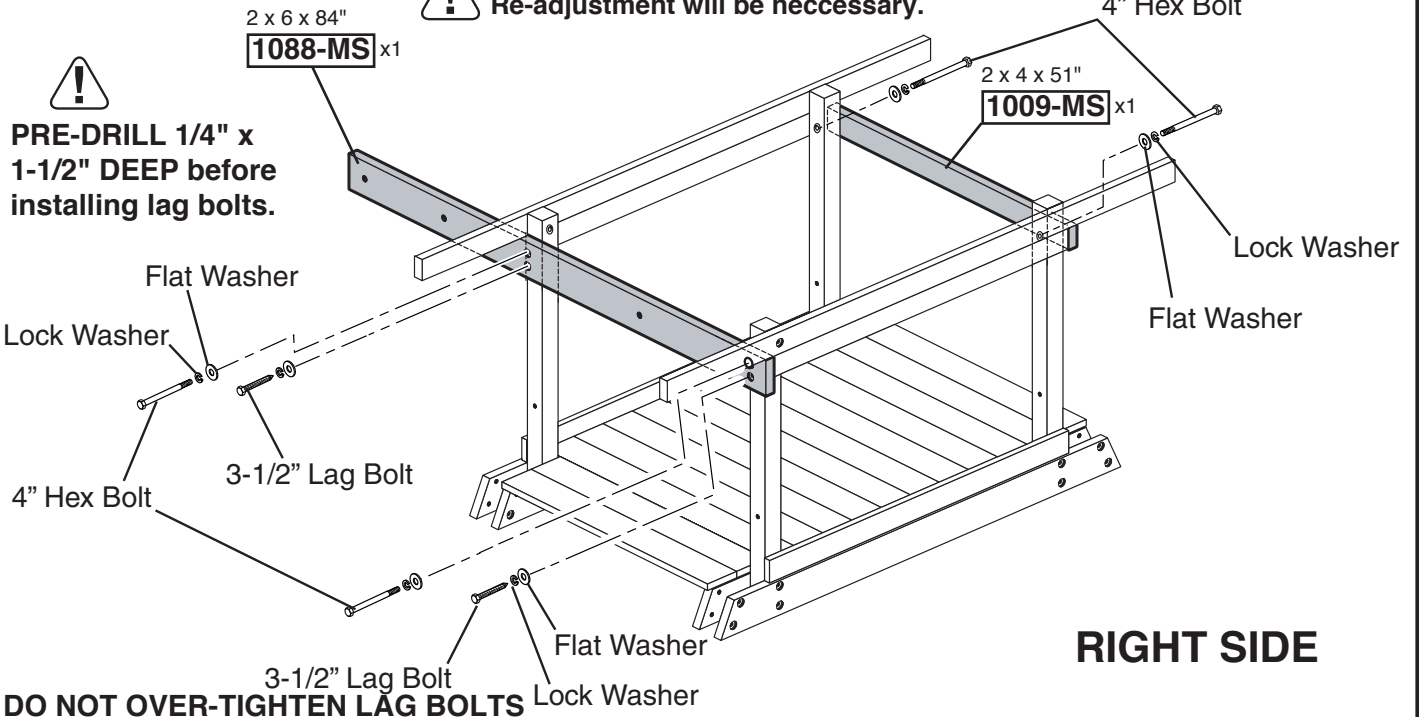
RIGHT SIDE

FORT

UPPER ARMS

LEFT SIDE

! Install bolts firmly, but do not fully tighten. Re-adjustment will be necessary.



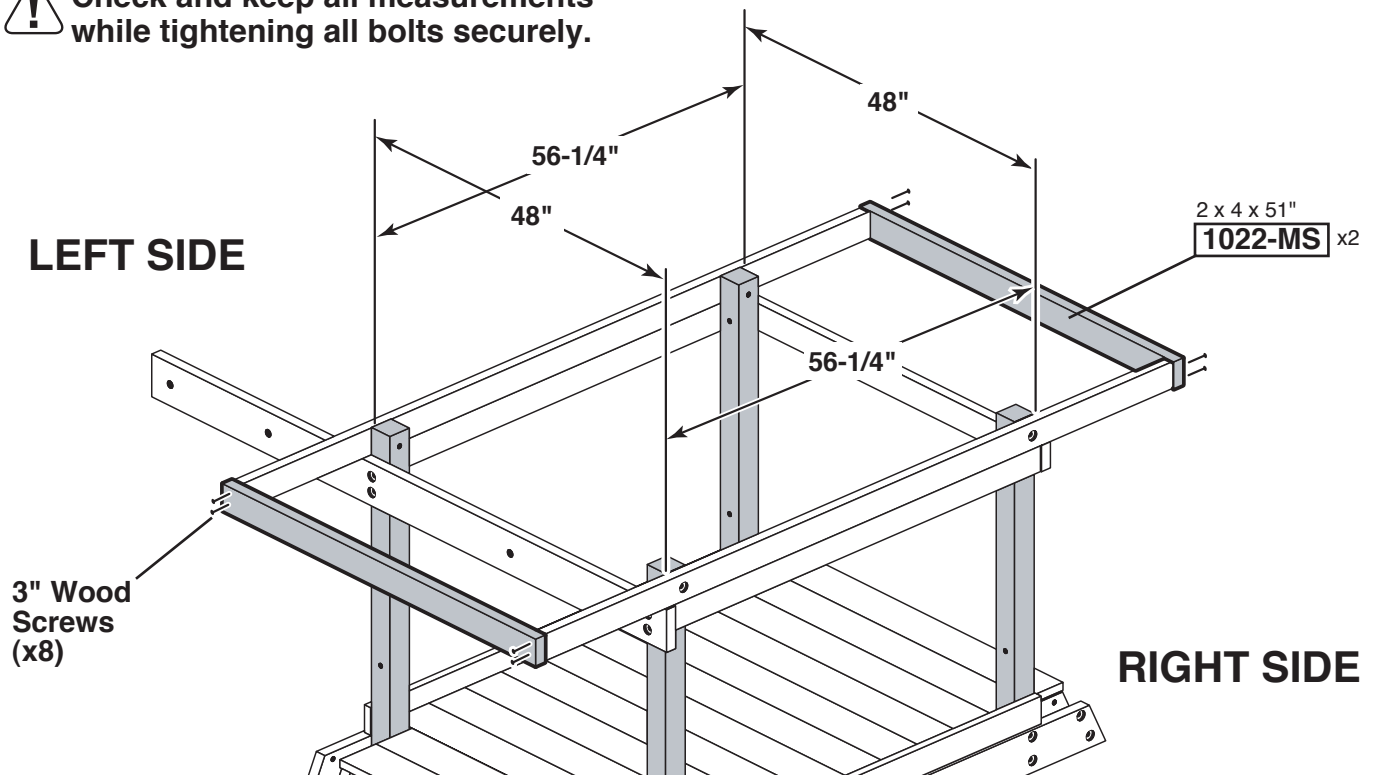
RIGHT SIDE

FORT

TENT END RAILS

! Check and keep all measurements while tightening all bolts securely.

LEFT SIDE



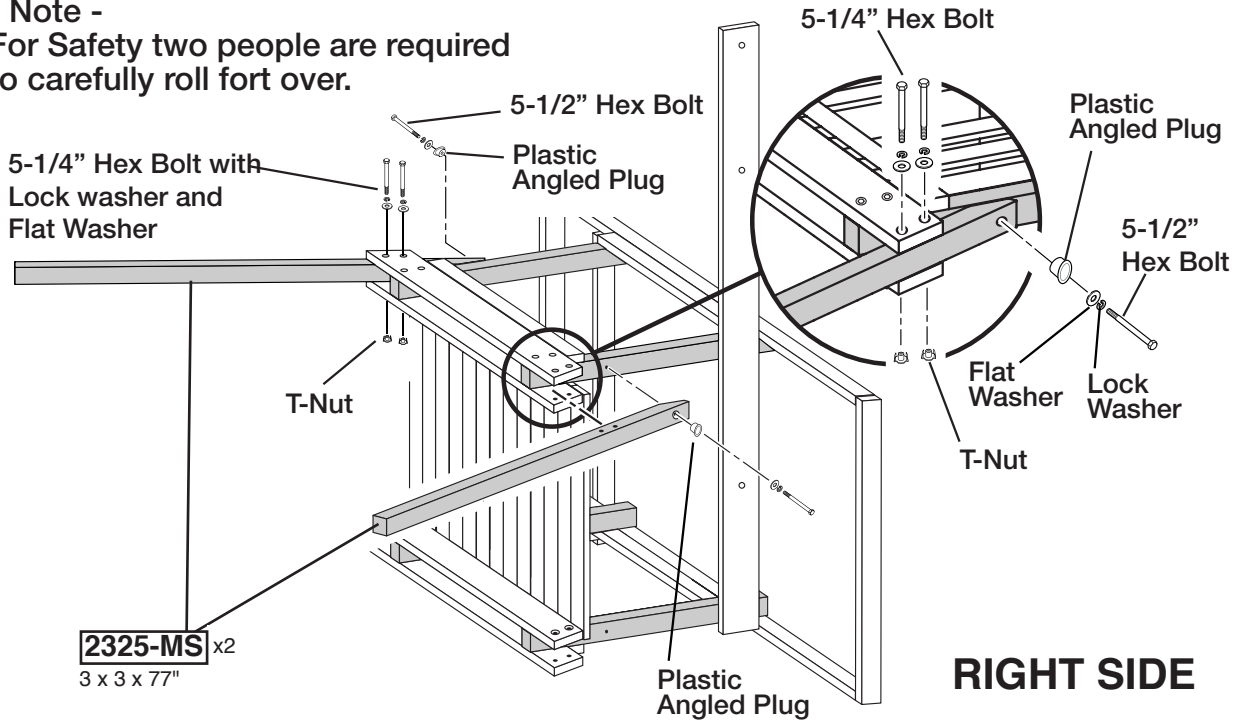
RIGHT SIDE

FORT

INSTALL LEGS

LEFT SIDE

* Note -
For Safety two people are required
to carefully roll fort over.



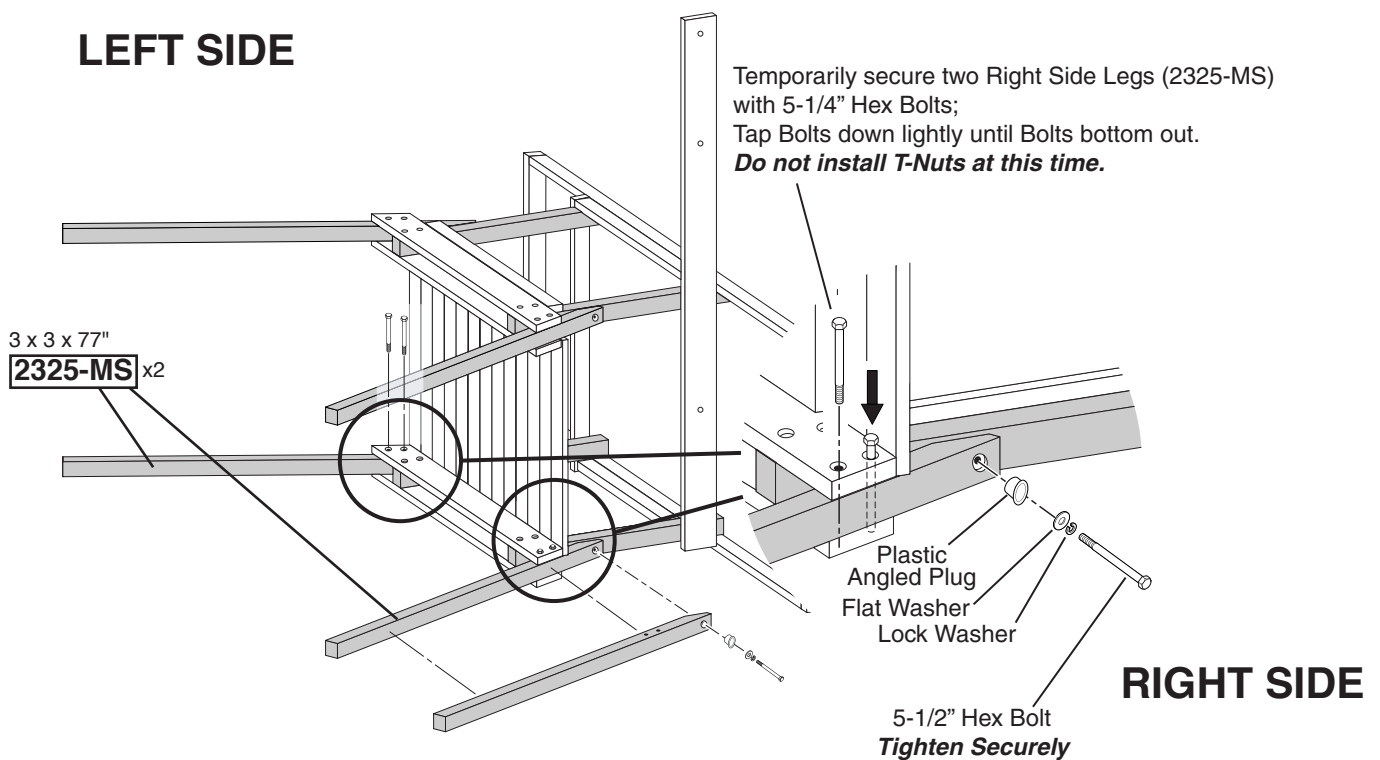
RIGHT SIDE

FORT

INSTALL LEGS

LEFT SIDE

Temporarily secure two Right Side Legs (2325-MS)
with 5-1/4" Hex Bolts;
Tap Bolts down lightly until Bolts bottom out.
Do not install T-Nuts at this time.



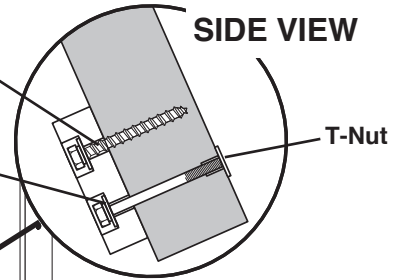
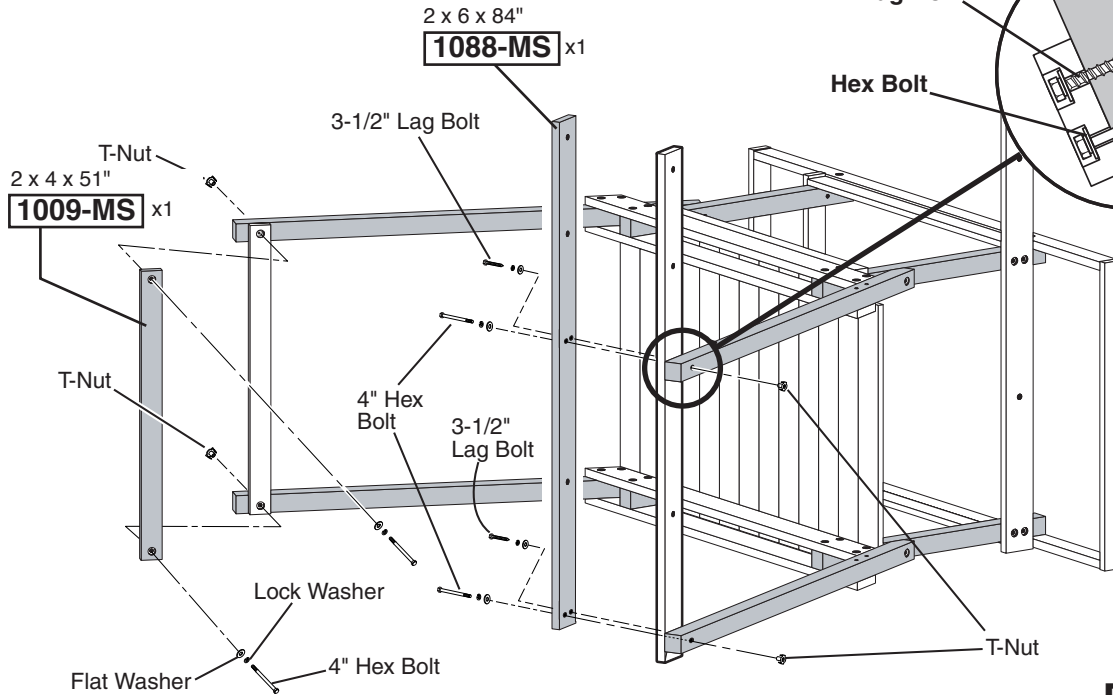
RIGHT SIDE

FORT

BOTTOM SUPPORTS

LEFT SIDE

DO NOT OVER-TIGHTEN LAG BOLTS



PRE-DRILL 1/4" x 1-1/2" DEEP before installing lag bolts.

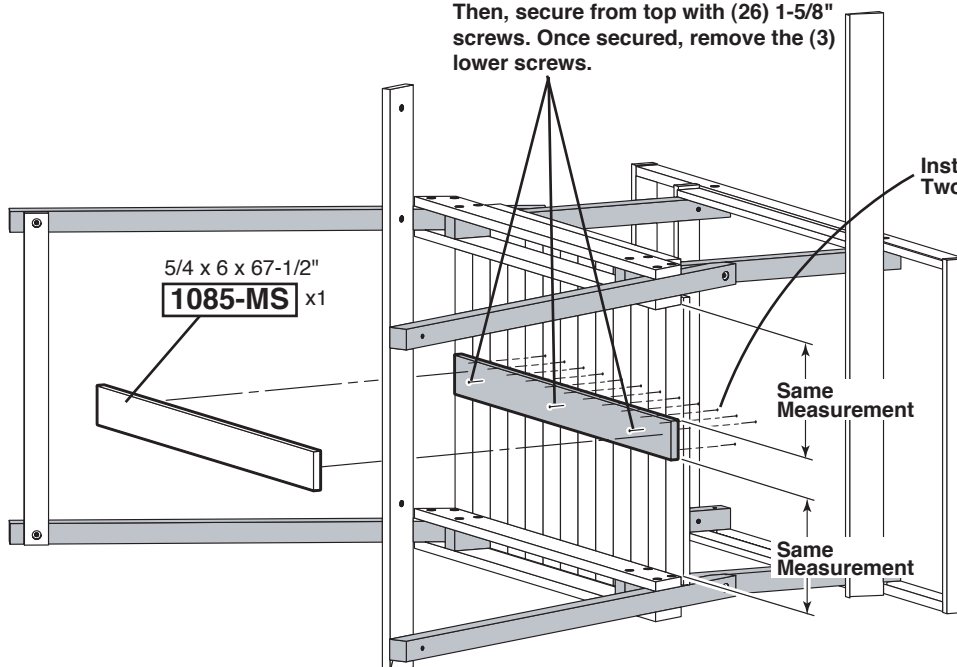
RIGHT SIDE

FORT

Deck / Tire SUPPORT

LEFT SIDE

HINT: Temporarily hold 1085-MS in place under deck with (3) 1-5/8" screws. Then, secure from top with (26) 1-5/8" screws. Once secured, remove the (3) lower screws.

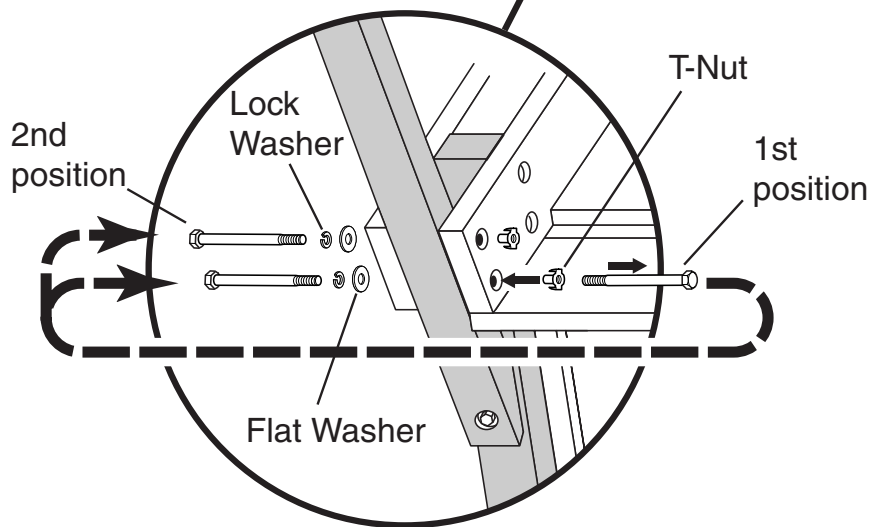
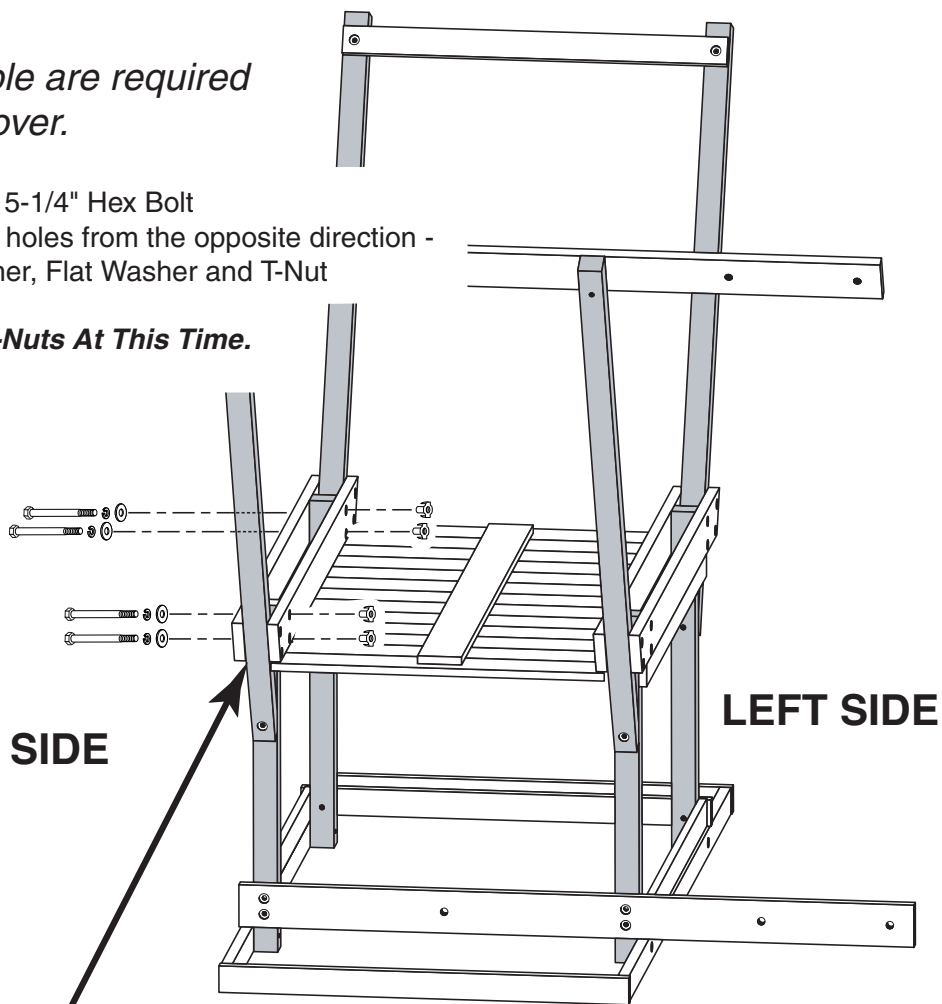


RIGHT SIDE

*** Note -**
For Safety two people are required to carefully roll fort over.

Remove and re-insert each 5-1/4" Hex Bolt (**one at a time**) through the holes from the opposite direction - this time using a Lock Washer, Flat Washer and T-Nut

Install And Tighten Into T-Nuts At This Time.



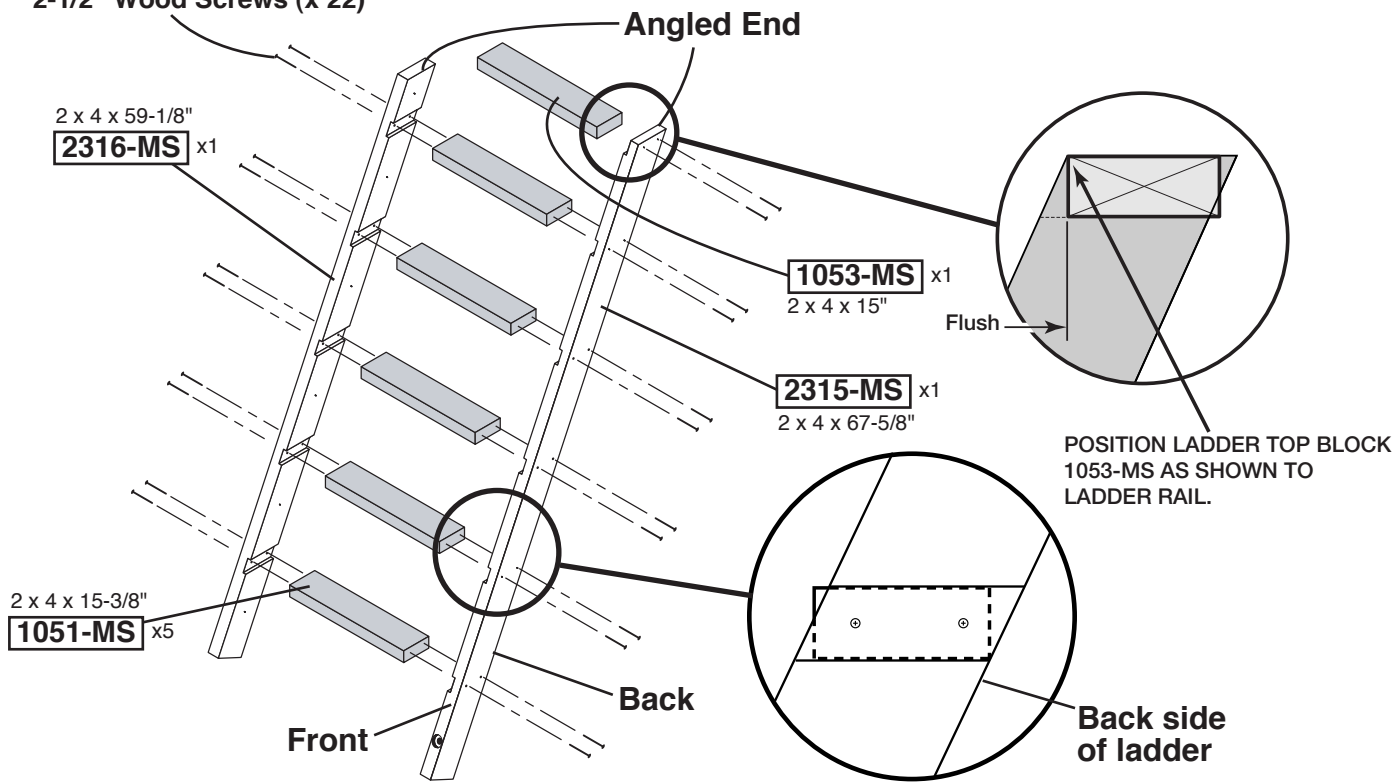
After tightening all bolts **Gently** return Playset to it's upright position.

Move partially assembled Playset into it's permanent location at this time, making sure ground has been leveled and prepared.

FORT

STEP LADDER

2-1/2" Wood Screws (x 22)



FORT

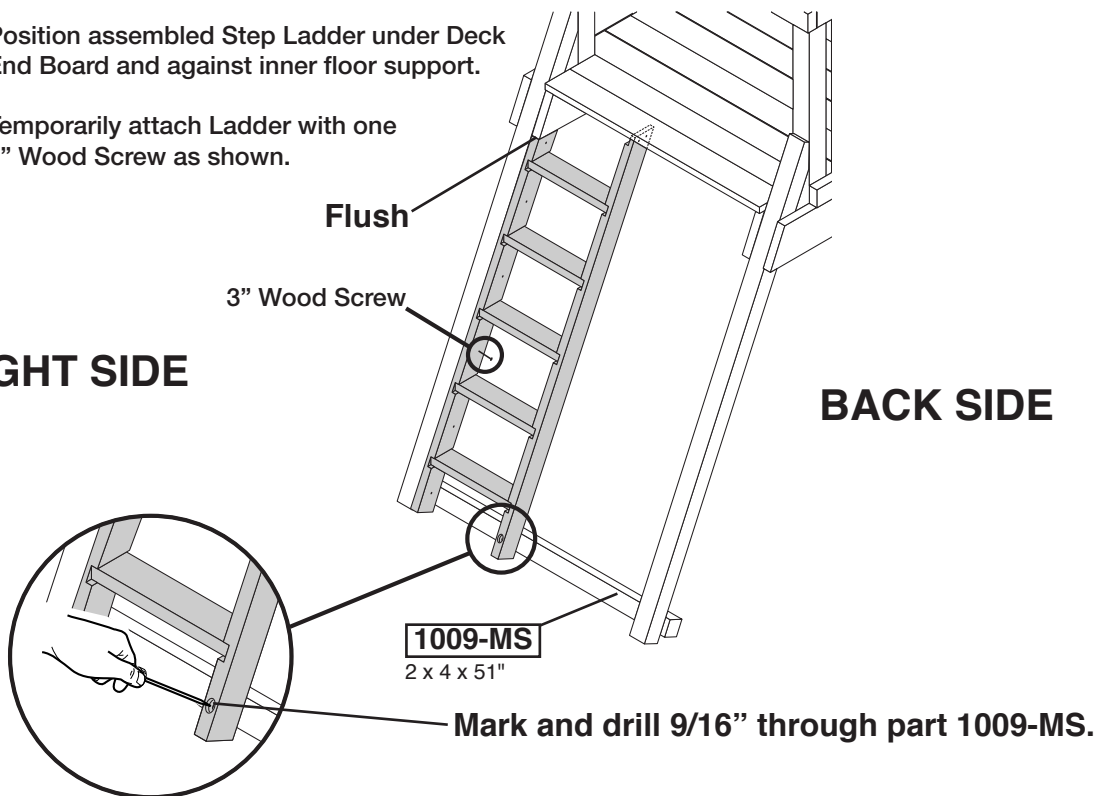
STEP LADDER

Position assembled Step Ladder under Deck End Board and against inner floor support.

Temporarily attach Ladder with one 3" Wood Screw as shown.

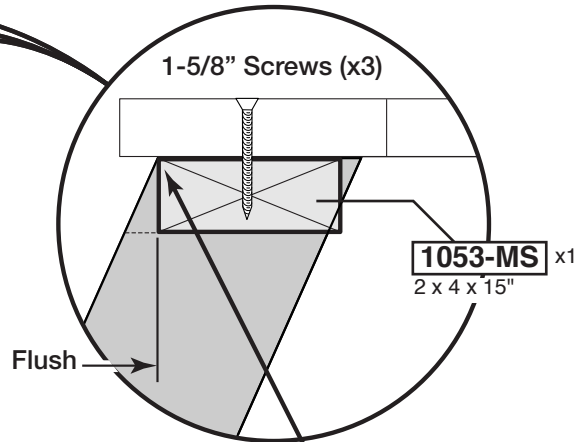
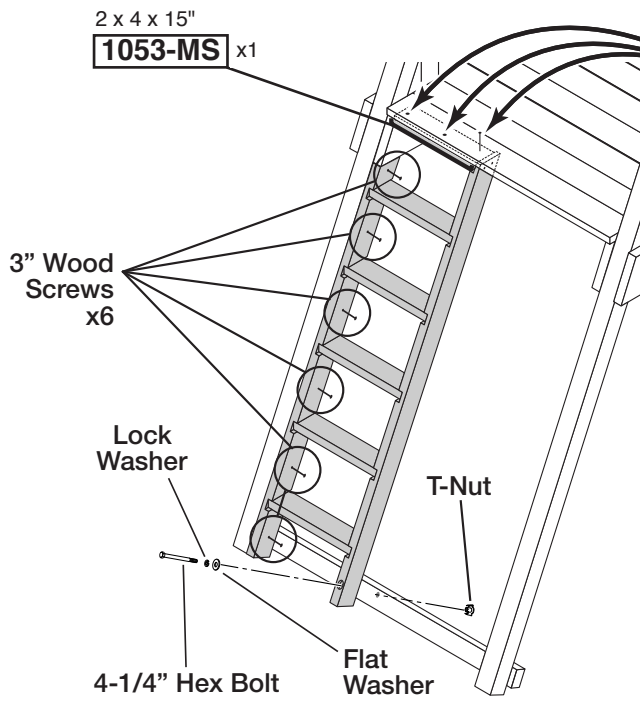
RIGHT SIDE

BACK SIDE



FORT

STEP LADDER



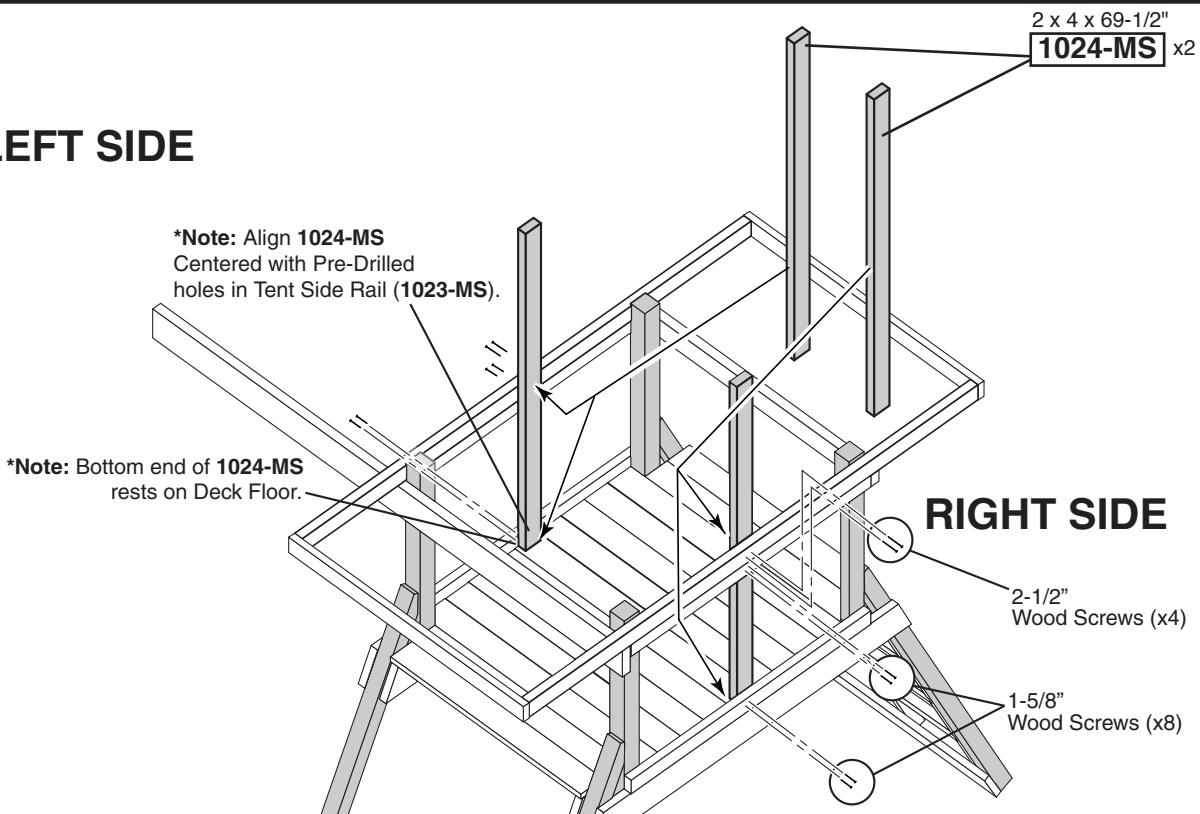
Position Ladder Top Block beneath Deck End Board. Attach with three 1-5/8" Wood Screws.

When installed, front edge of Ladder Top Block (1053-MS) should be flush with top of Step Ladder.

FORT

TENT VERTICAL SUPPORTS

LEFT SIDE

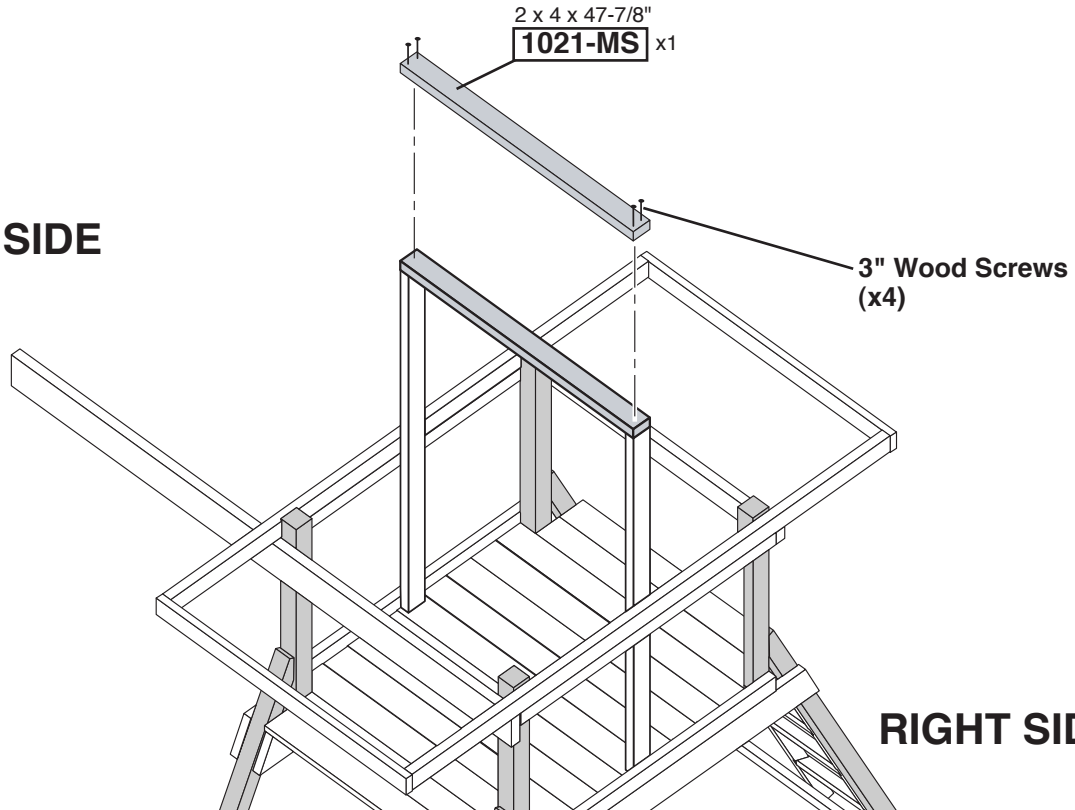


RIGHT SIDE

FORT

TENT TOP SUPPORT

LEFT SIDE



RIGHT SIDE

SWING BEAM

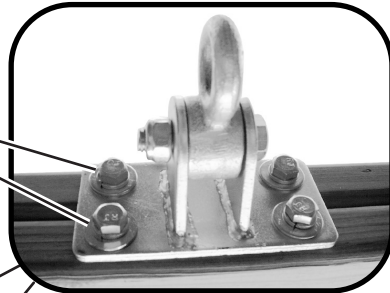
SWING HANGERS

3" Lag Bolt (x24)

Lock Washer (x24)

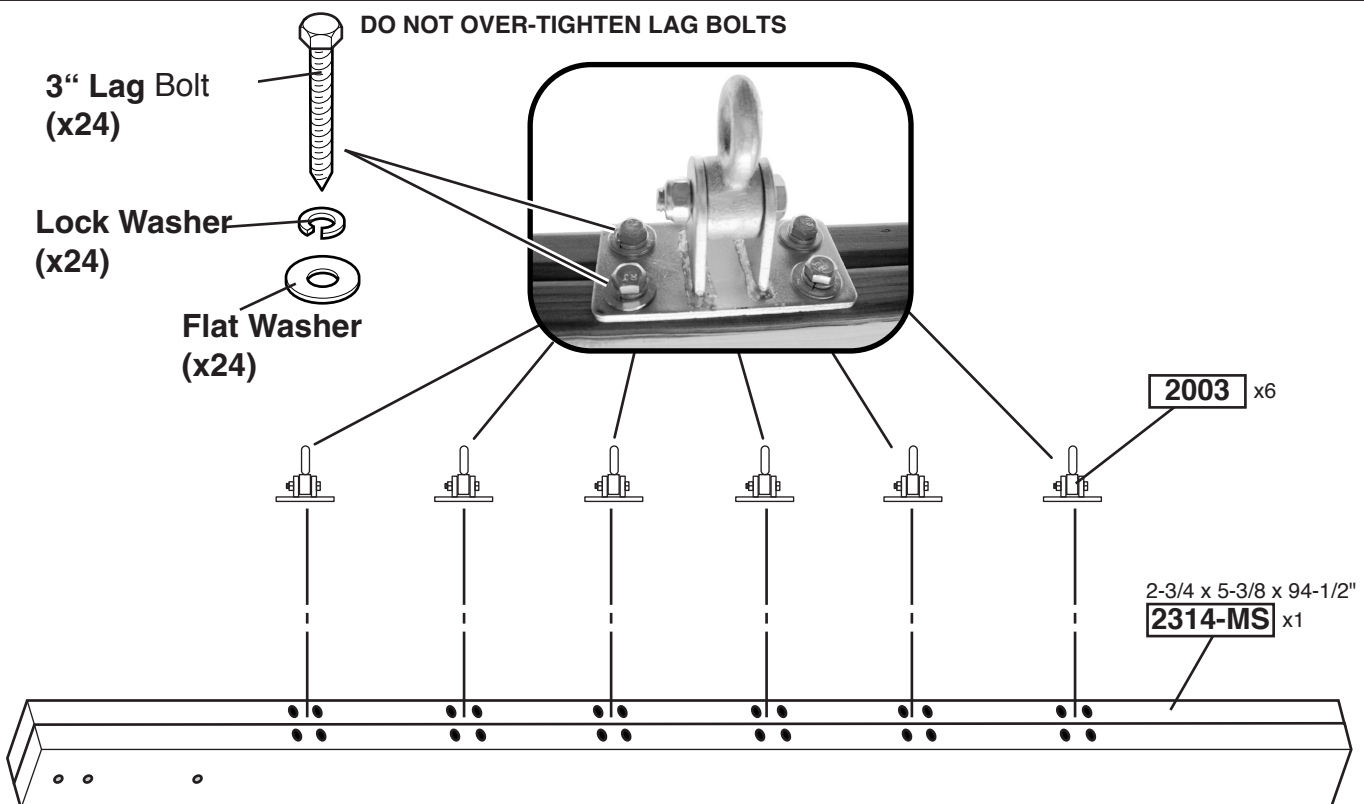
Flat Washer (x24)

DO NOT OVER-TIGHTEN LAG BOLTS



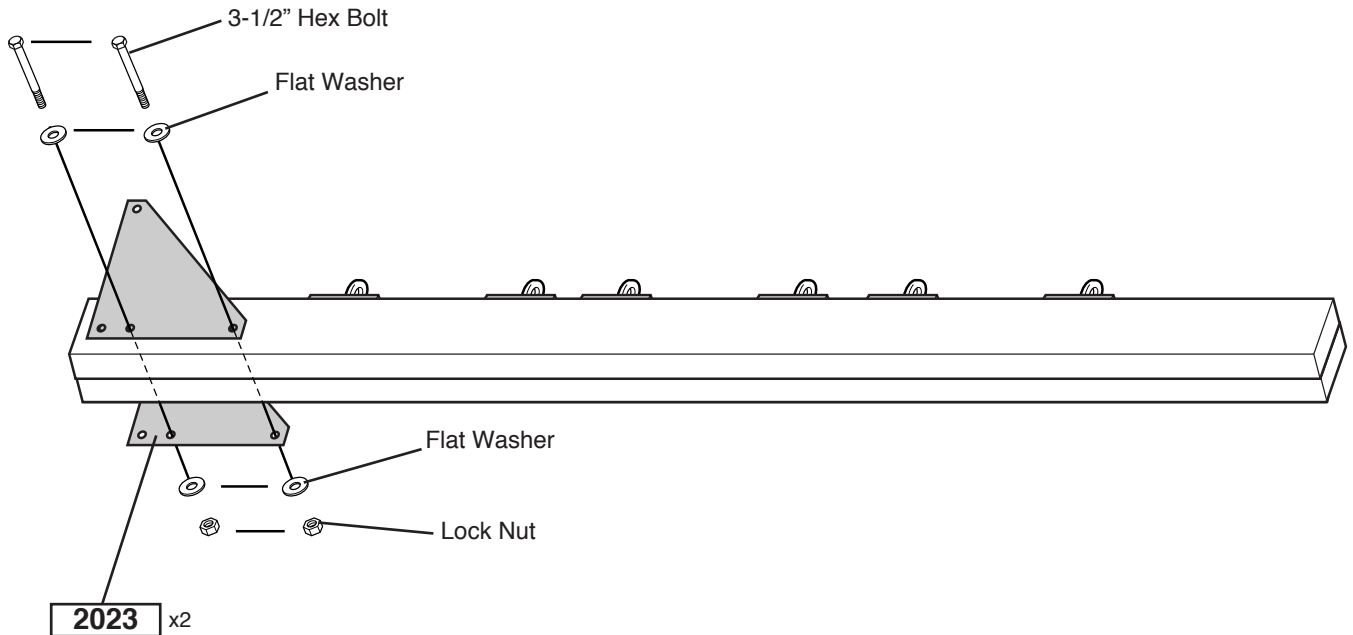
2003 x6

2-3/4 x 5-3/8 x 94-1/2" 2314-MS x1



SWING BEAM

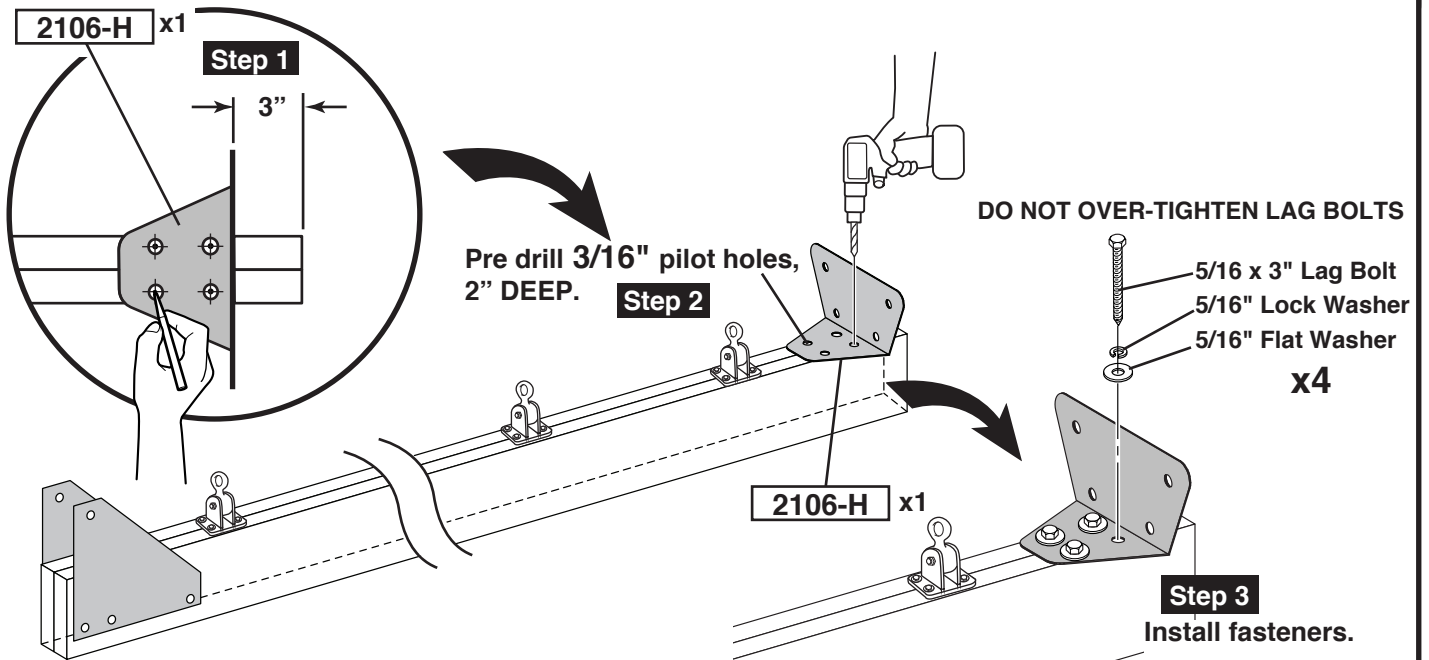
ANGLE BRACKETS



SWING BEAM

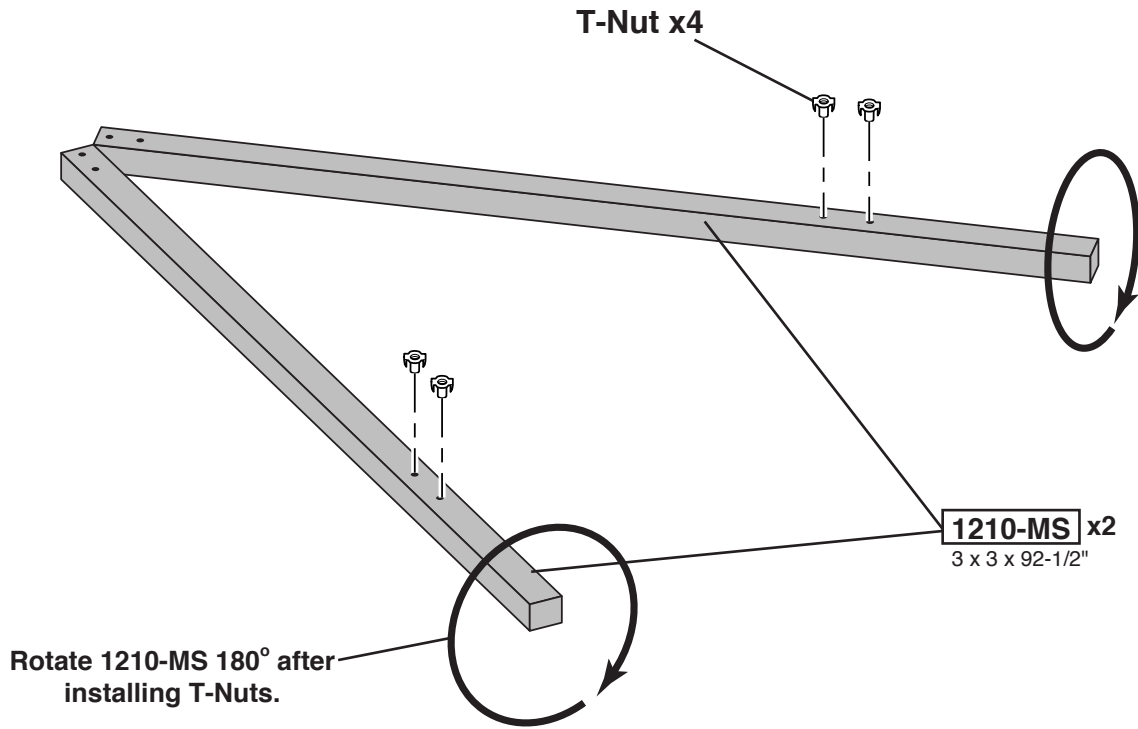
A-FRAME L-BRACKET

Orient swing beam as shown.



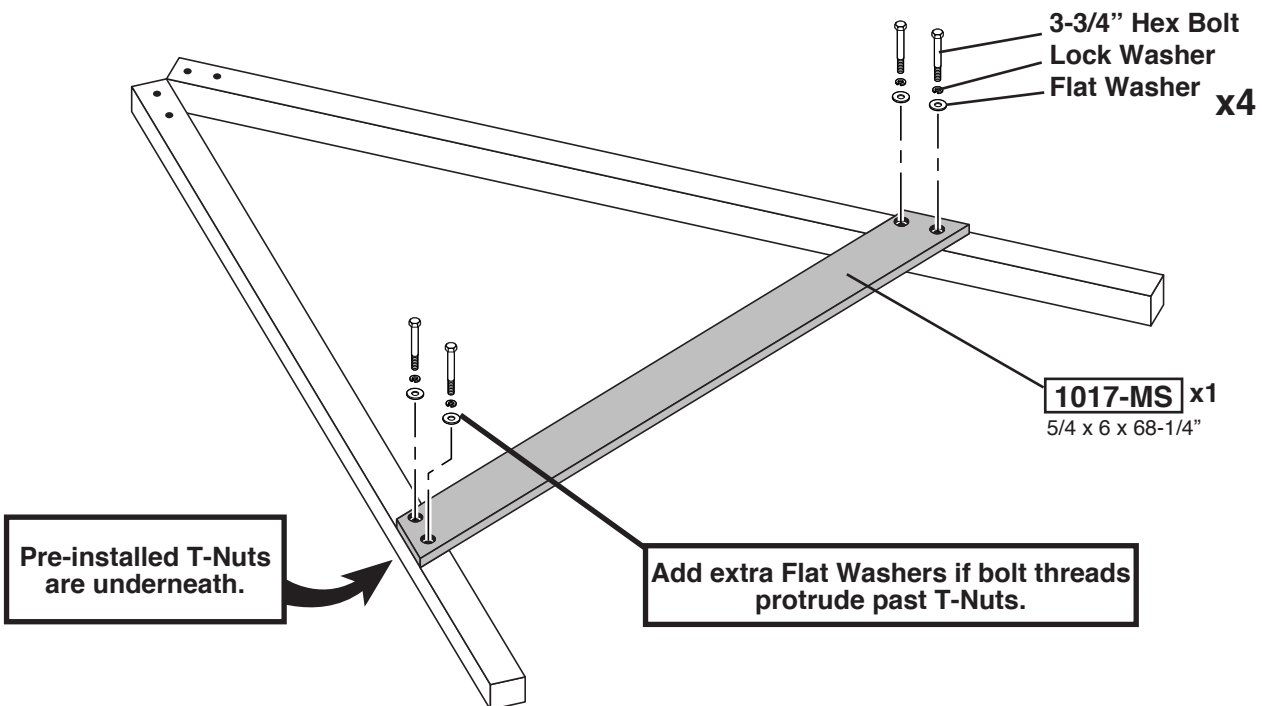
A - FRAME

ASSEMBLE



A - FRAME

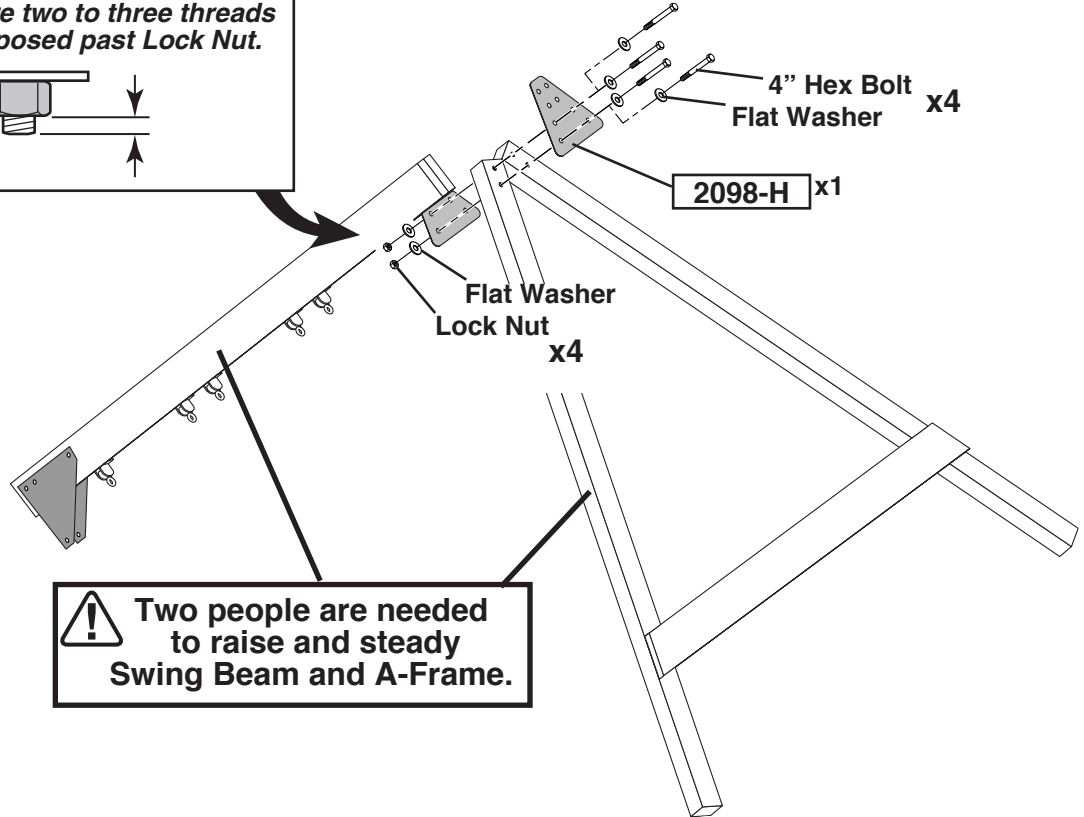
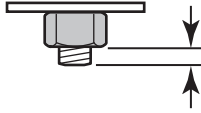
ASSEMBLE



A - FRAME

INSTALL

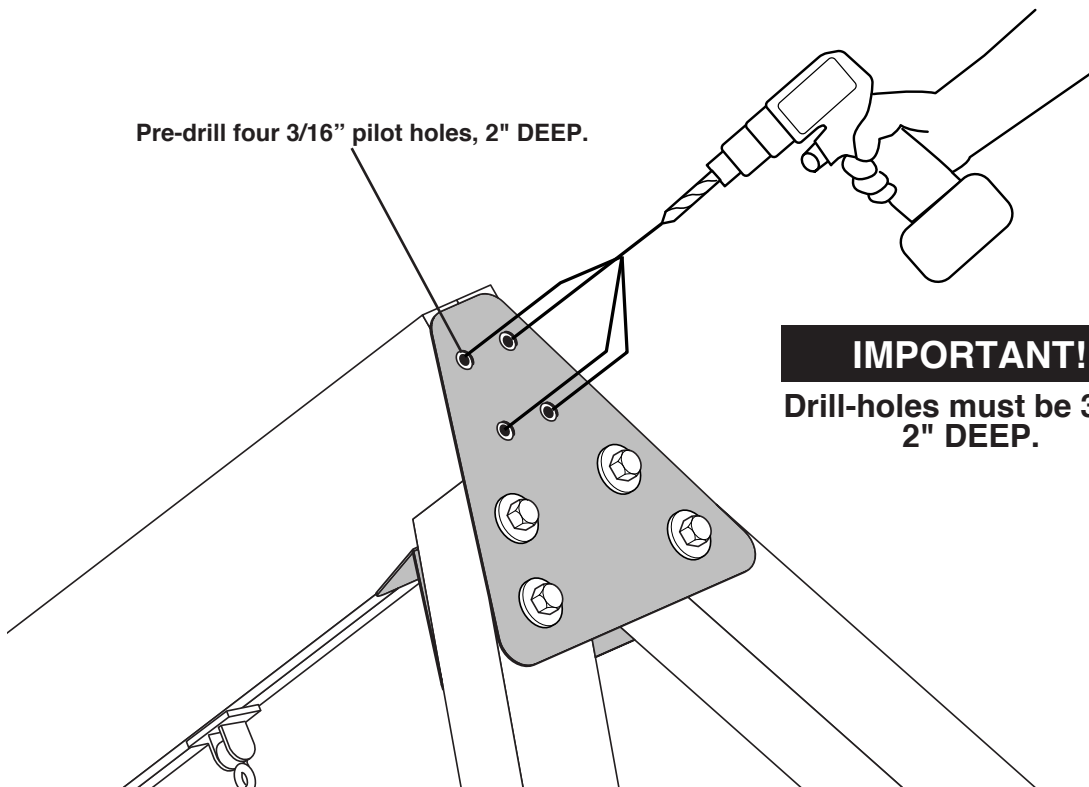
NOTE: Ensure two to three threads are exposed past Lock Nut.



A - FRAME

INSTALL

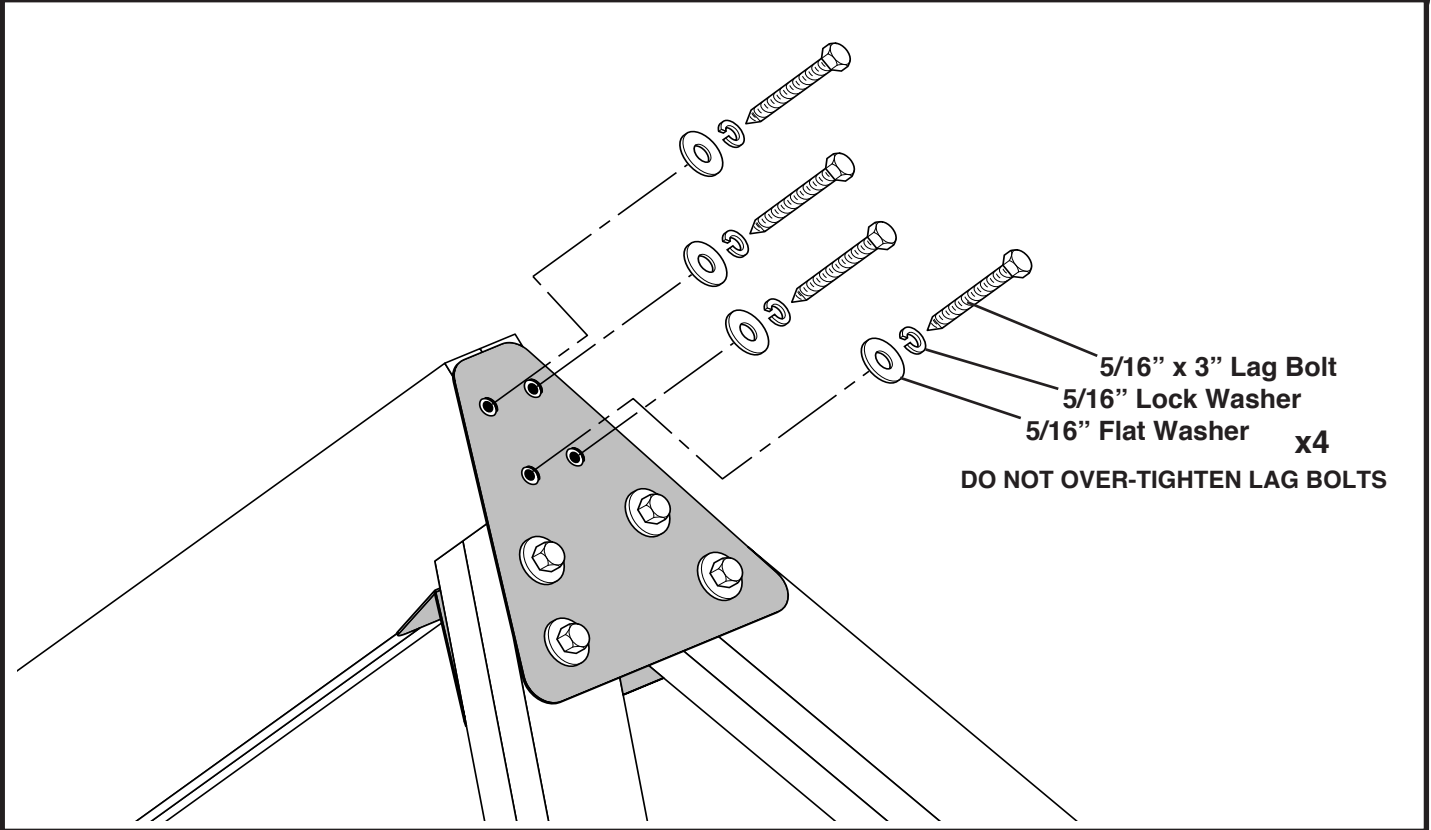
Pre-drill four 3/16" pilot holes, 2" DEEP.



IMPORTANT!
Drill-holes must be 3/16" 2" DEEP.

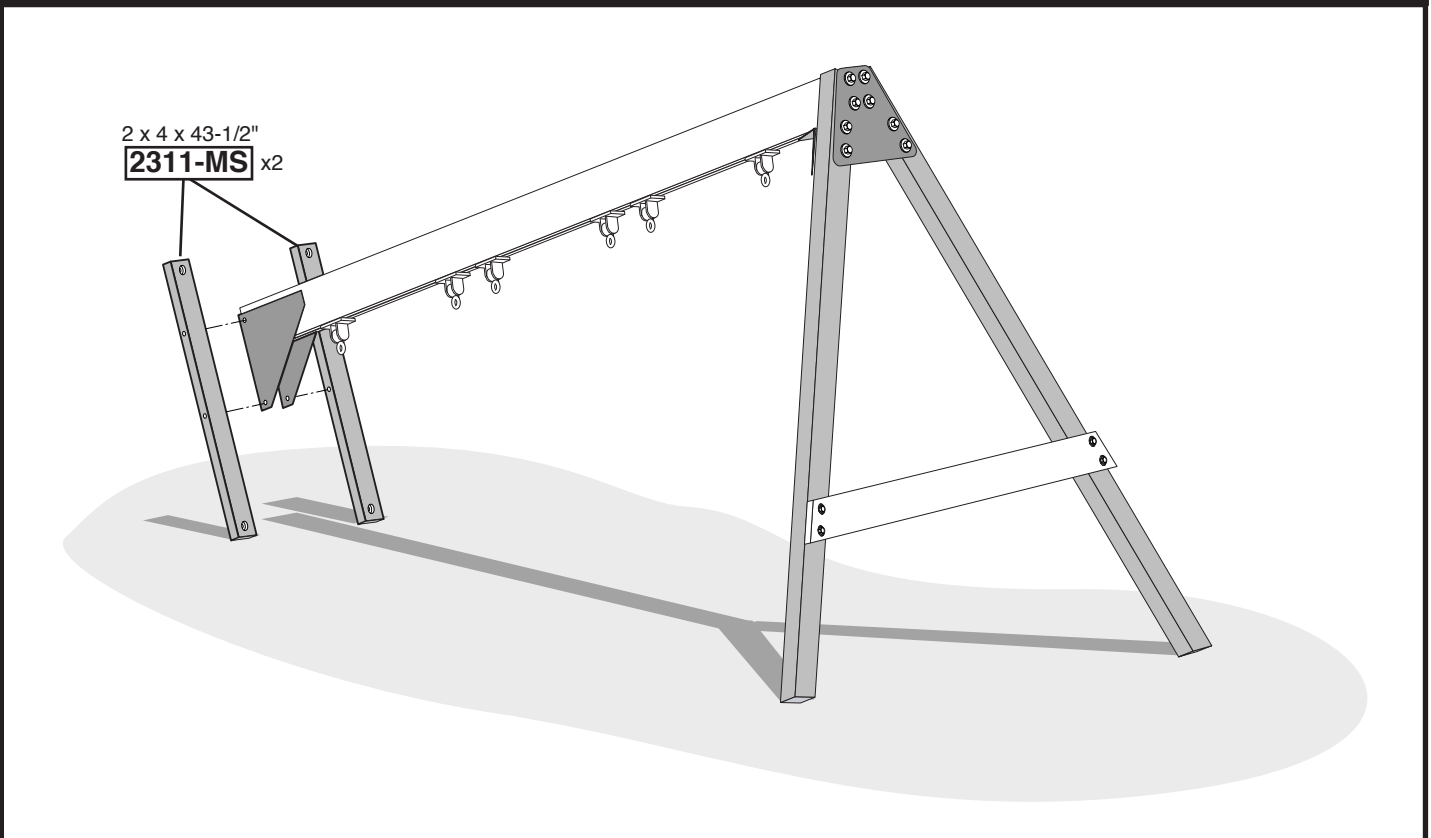
A - FRAME

INSTALL



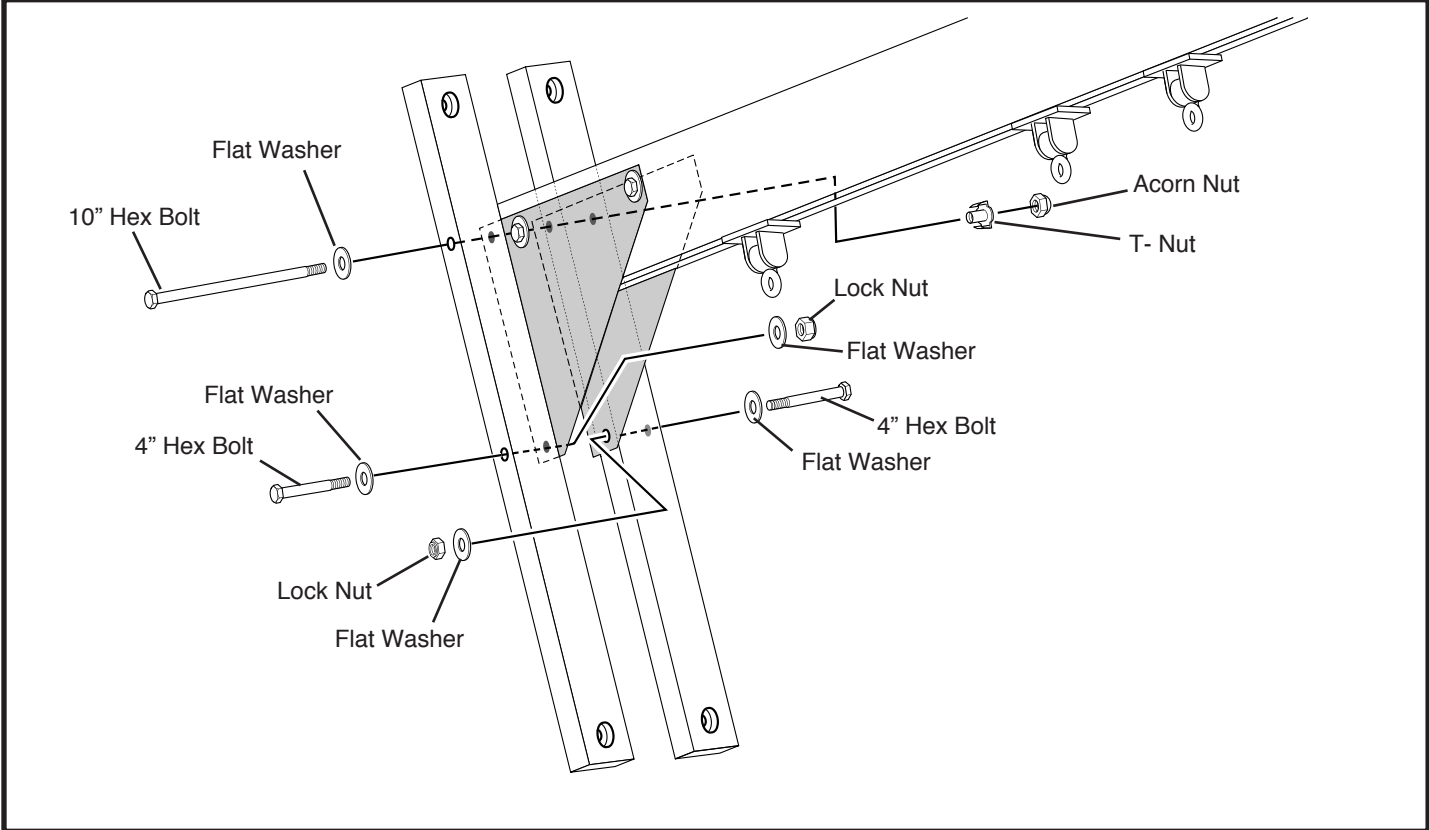
SWING BEAM SUPPORT

ASSEMBLE



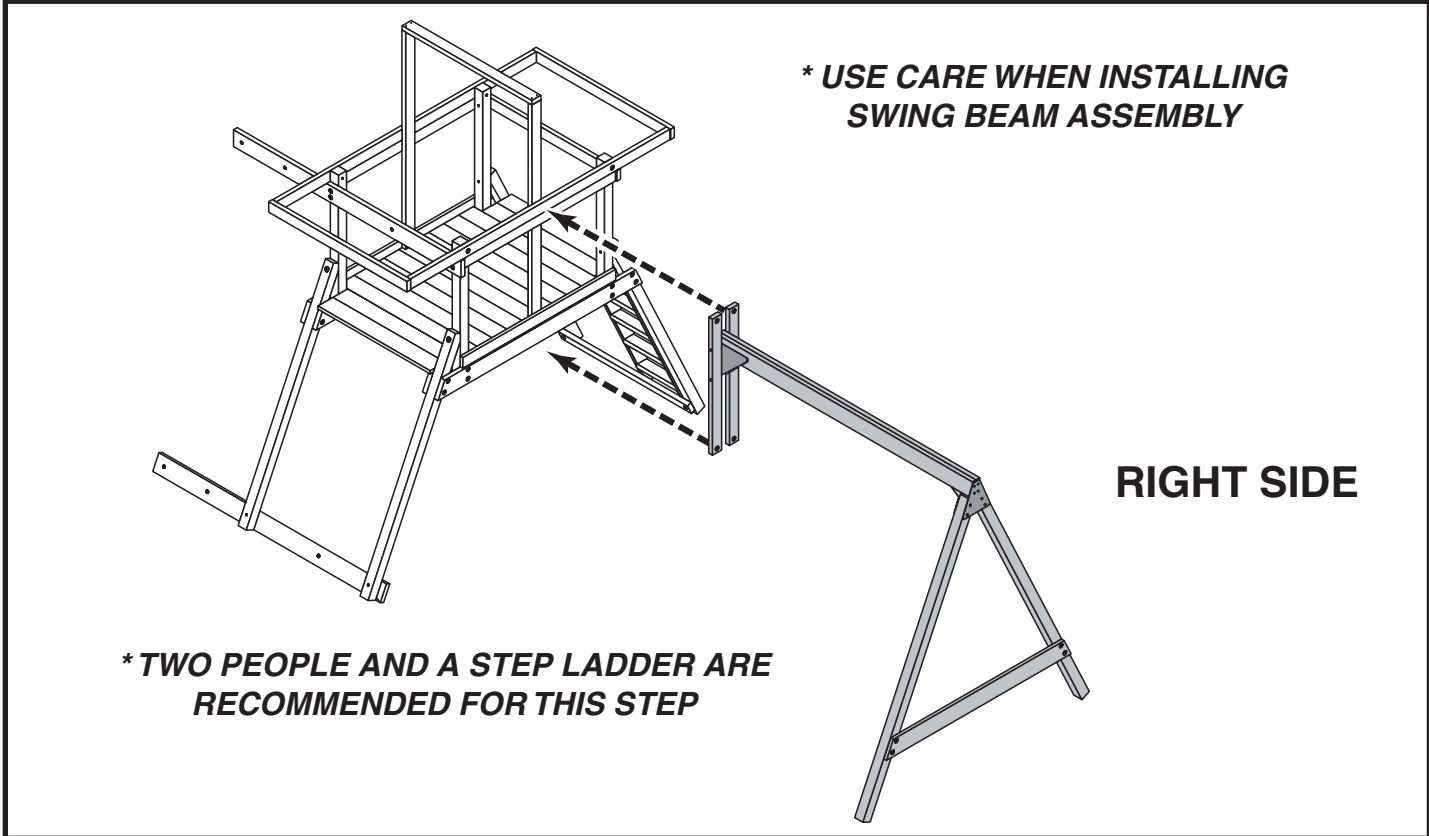
SWING BEAM SUPPORT

INSTALL TO BEAM



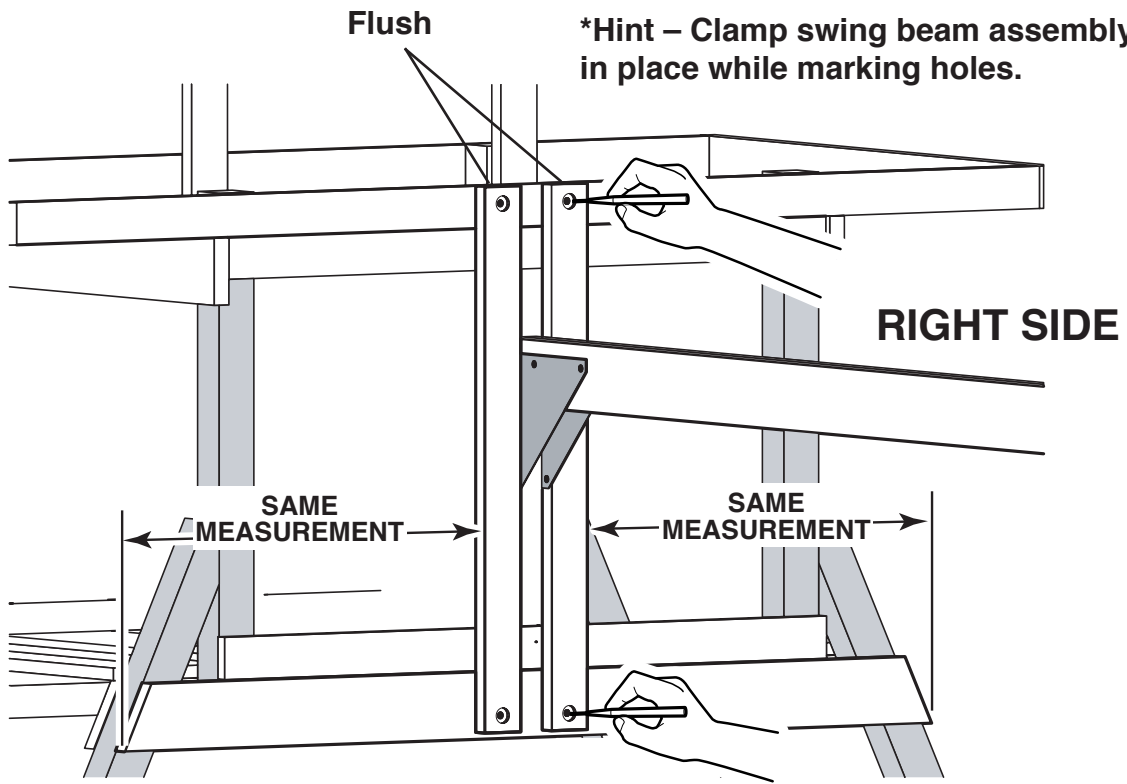
SWING BEAM ASSEMBLY

INSTALL



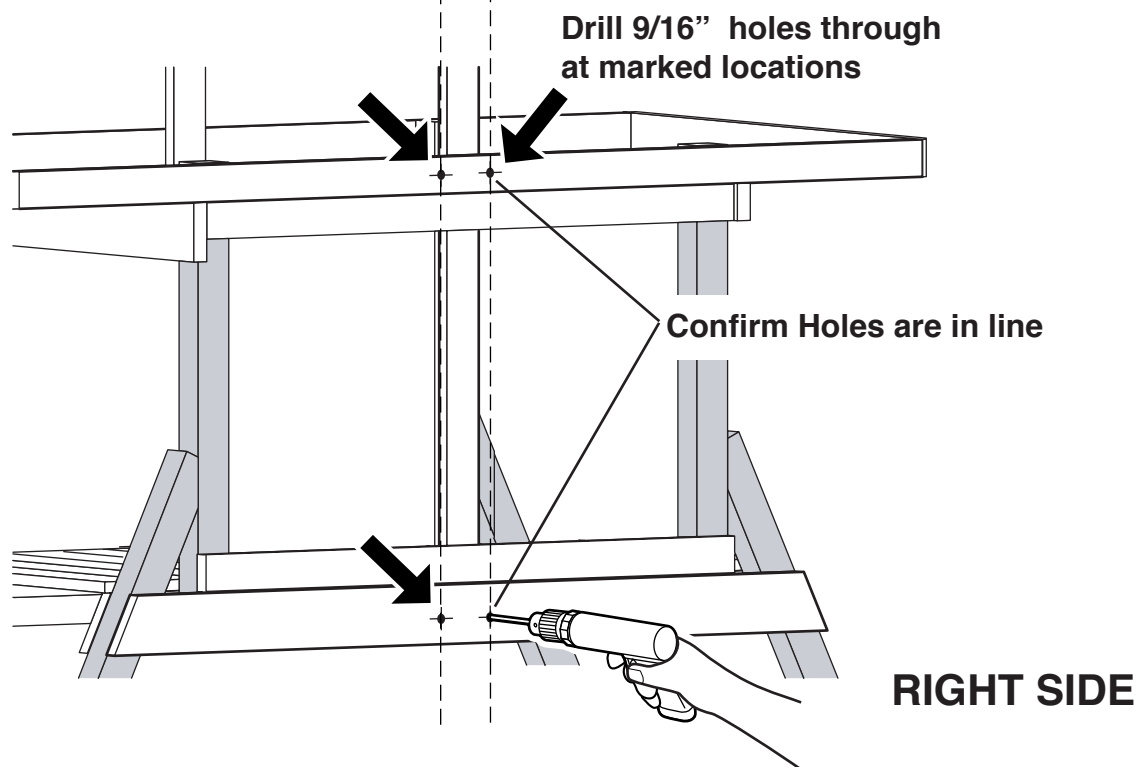
SWING BEAM ASSEMBLY

INSTALL - STEP 1



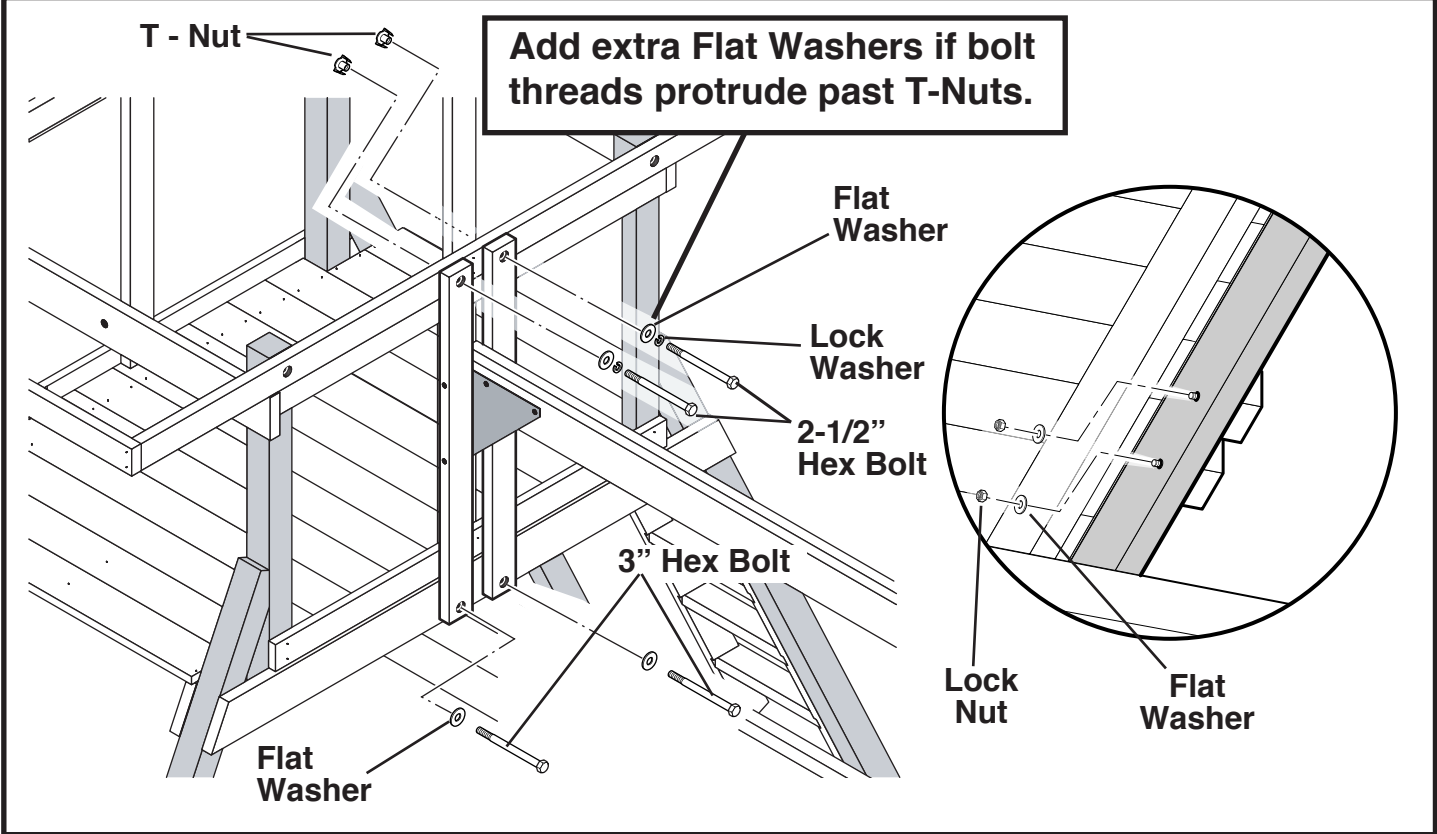
SWING BEAM ASSEMBLY

INSTALL - STEP 2



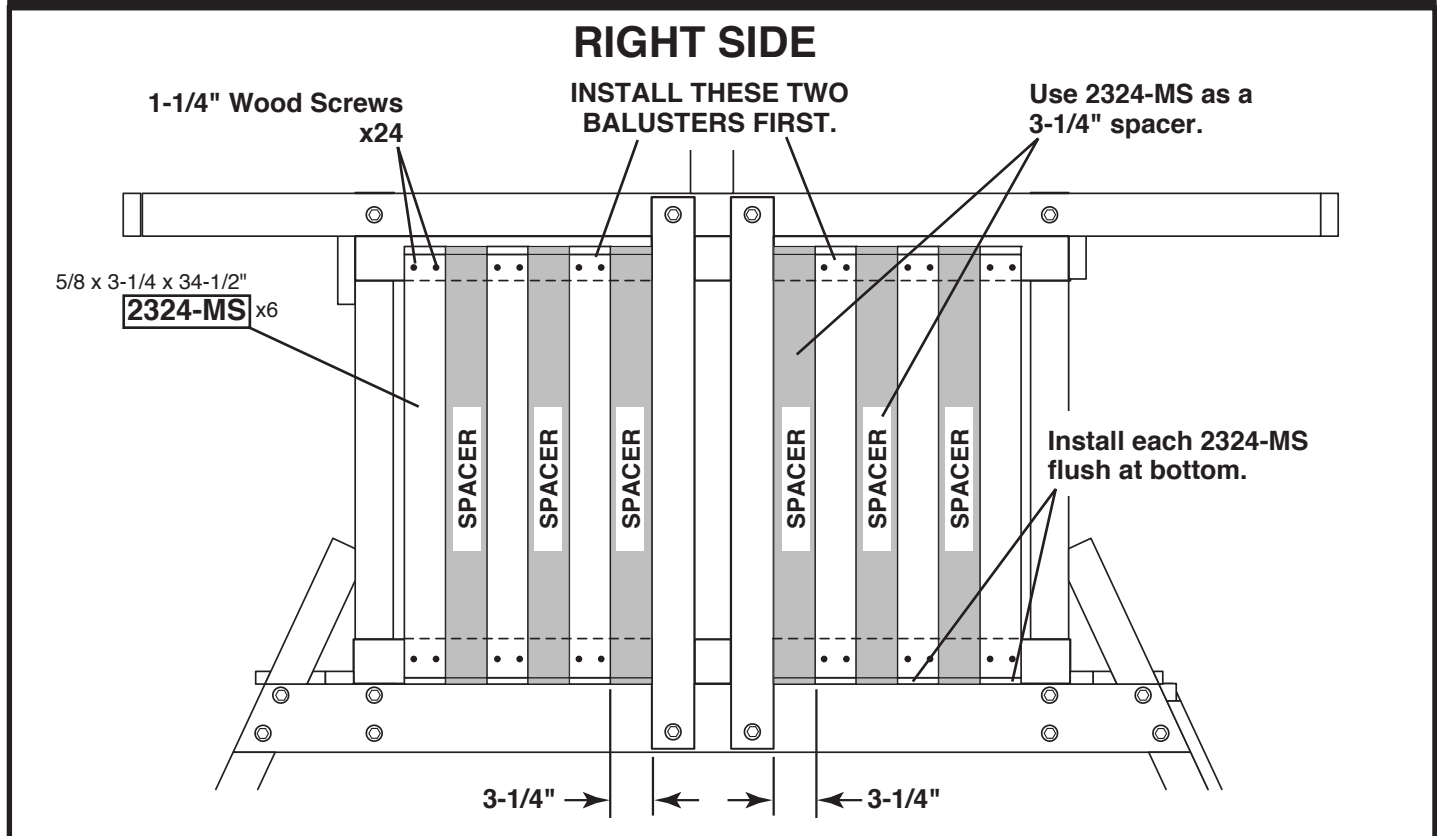
SWING BEAM ASSEMBLY

INSTALL - STEP 3



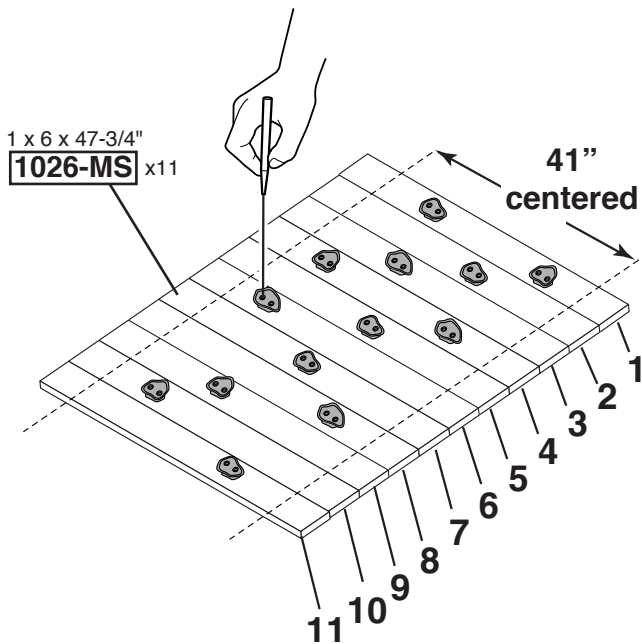
FORT

SWING SIDE WALL



ROCK WALL

LAY OUT PARTS - ROCK LOCATIONS



Place and align parts 1026-MS parallel on ground.

*Hint: Number the order of each part (1026-MS) for correct re-orientation, top to bottom. Mark parts on back side or use masking tape.

Lay Out the Climbing Rocks (x13) in an attractive and practical fashion.

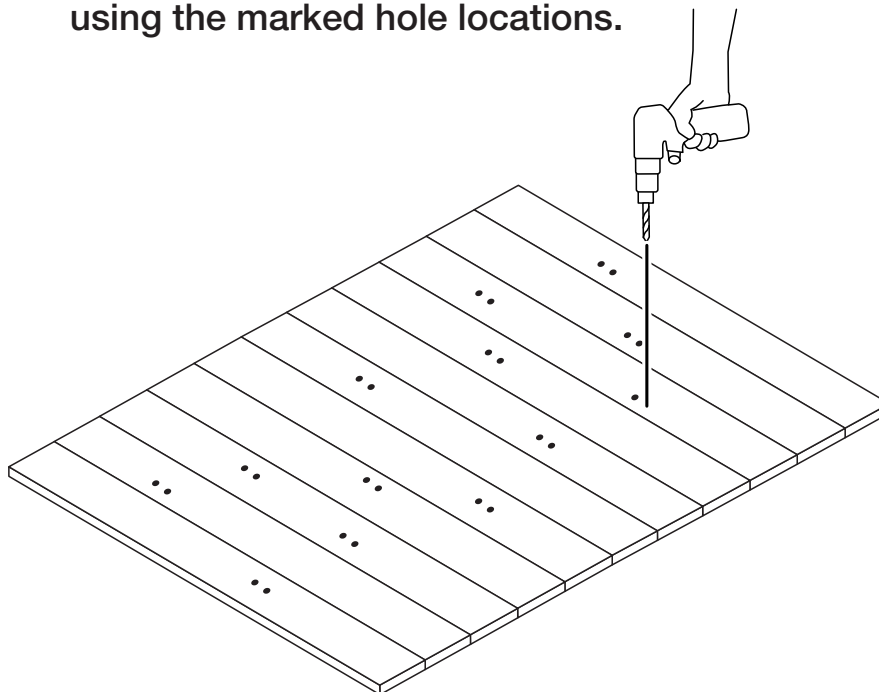
DO NOT position Rocks outside the 41" dimension.

Mark position of each Rock in final decided position.

ROCK WALL

LAY OUT PARTS - ROCK LOCATIONS

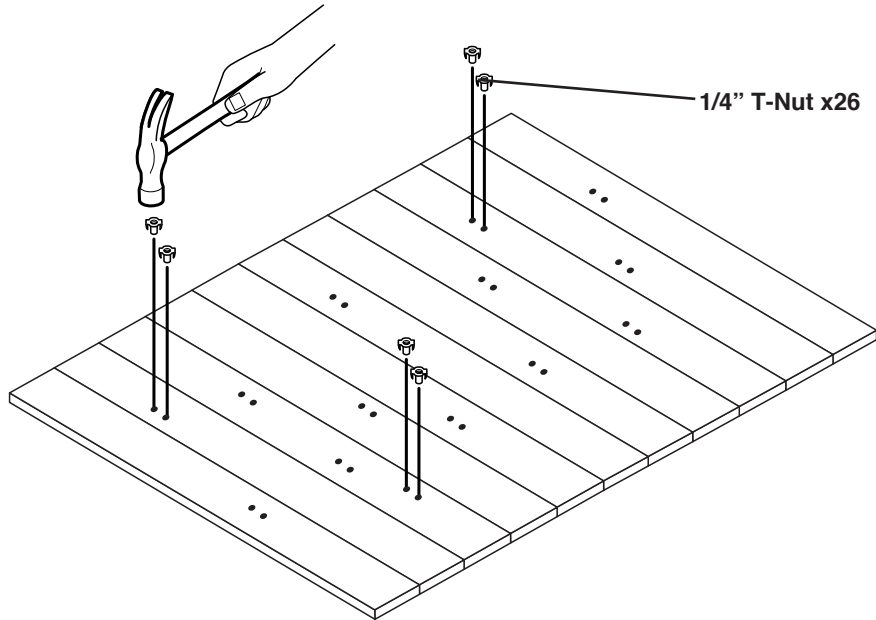
After marking Rock positions, remove Rocks and drill 1/4" holes through Rock Wall Deck Boards using the marked hole locations.



ROCK WALL

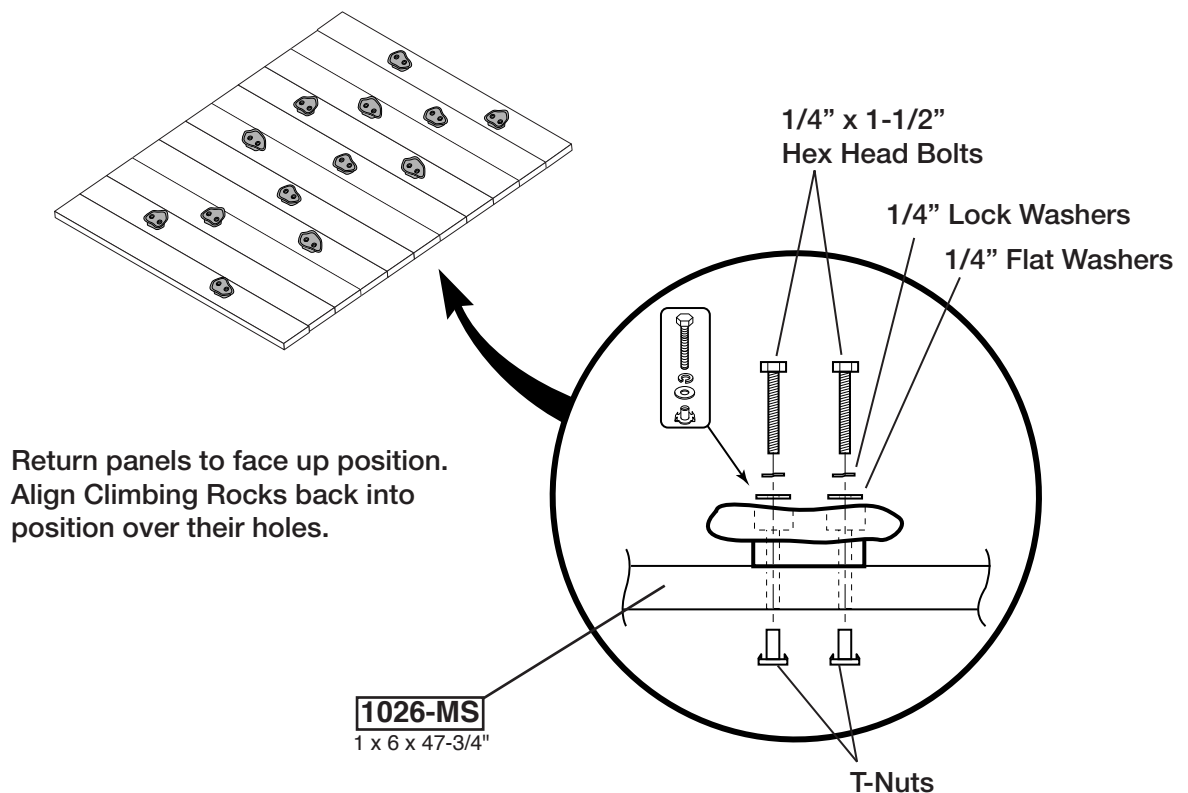
INSTALL T-NUTS

Turn all eleven 1026-MS panels over (lay on a soft but firm surface).
Pound in 1/4" T-Nuts (Included in Climbing Rock Bag) at each hole location.

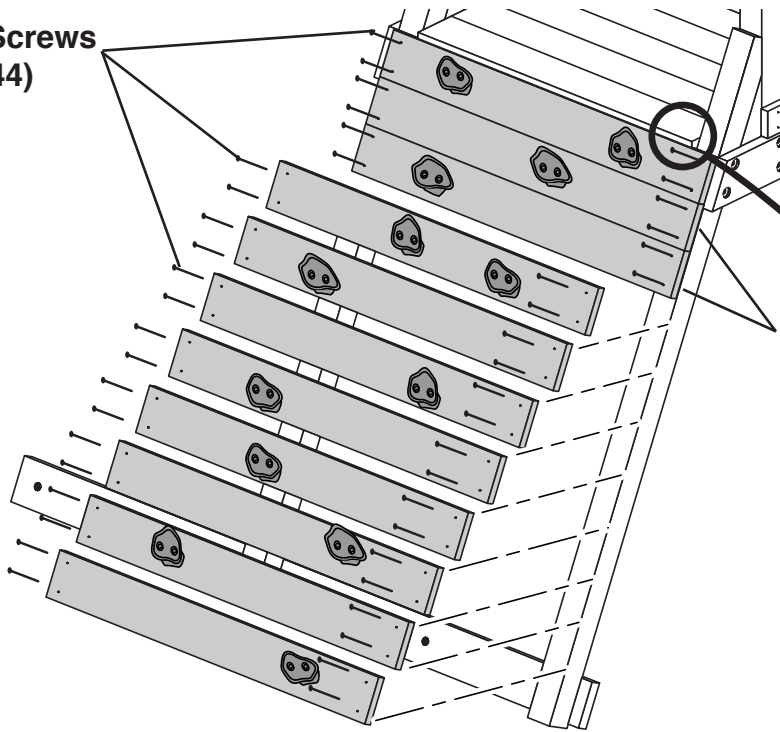


ROCK WALL

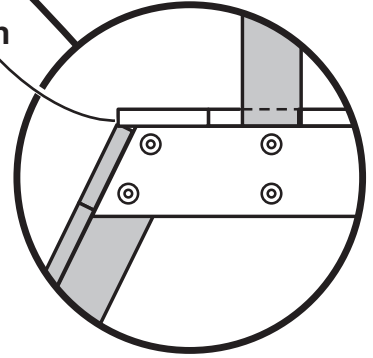
INSTALL ROCKS



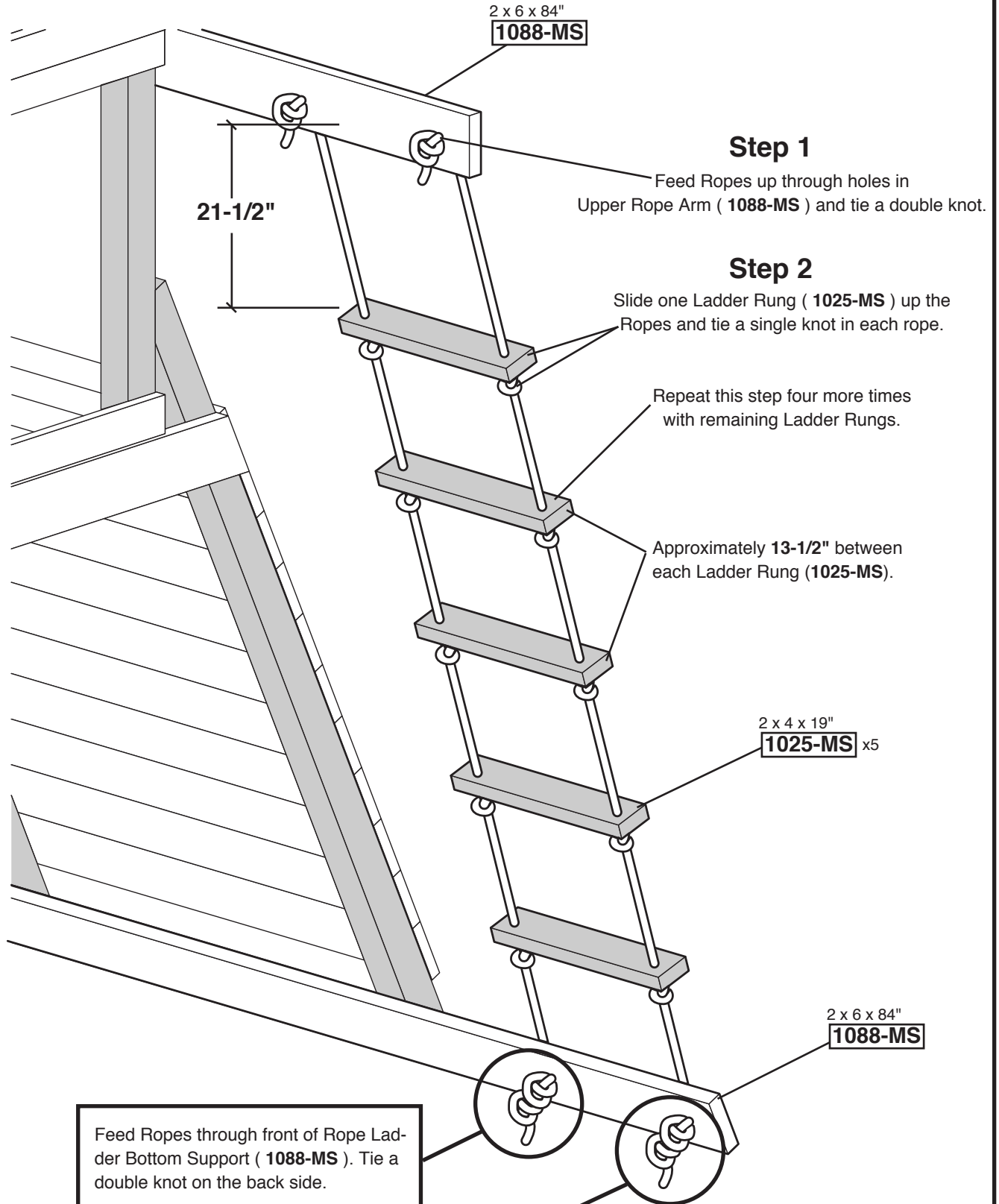
**2-1/2" Screws
(x 44)**



Flush



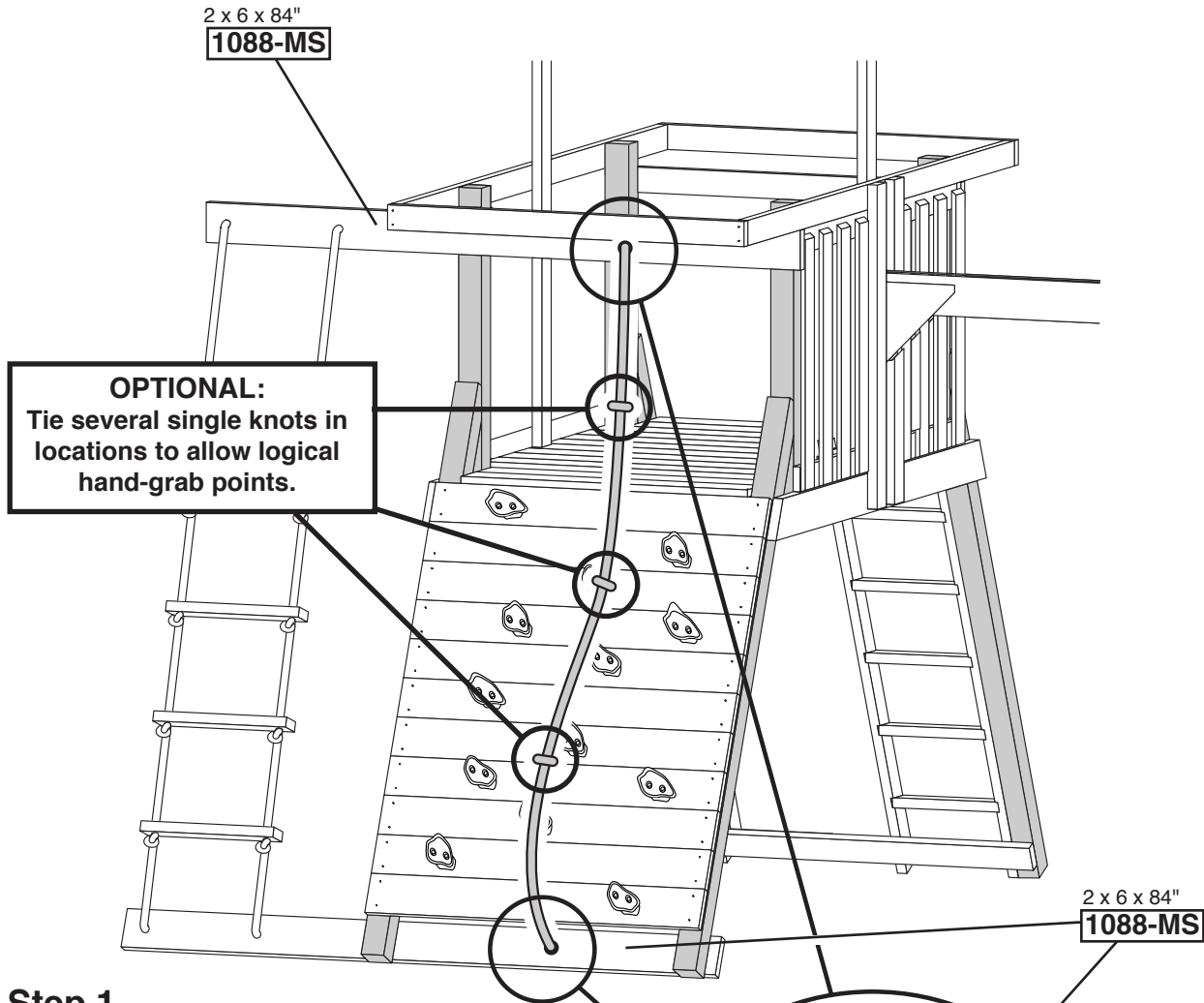
This space intentionally left blank.



Feed Ropes through front of Rope Ladder Bottom Support (**1088-MS**). Tie a double knot on the back side.

For Safety, keep tying double knots until there is no remaining loose rope.

Do not cut ends of rope.



Step 1

Feed top of Climbing Rope through front of Upper Rope Arm (**1088-MS**) and tie a double knot on the back side (**Fig. 1**).

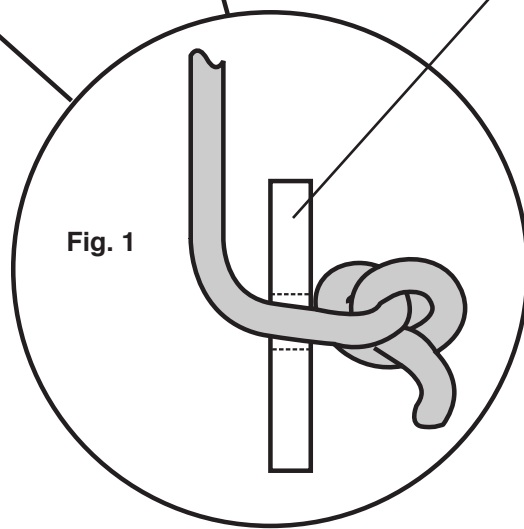
Step 2

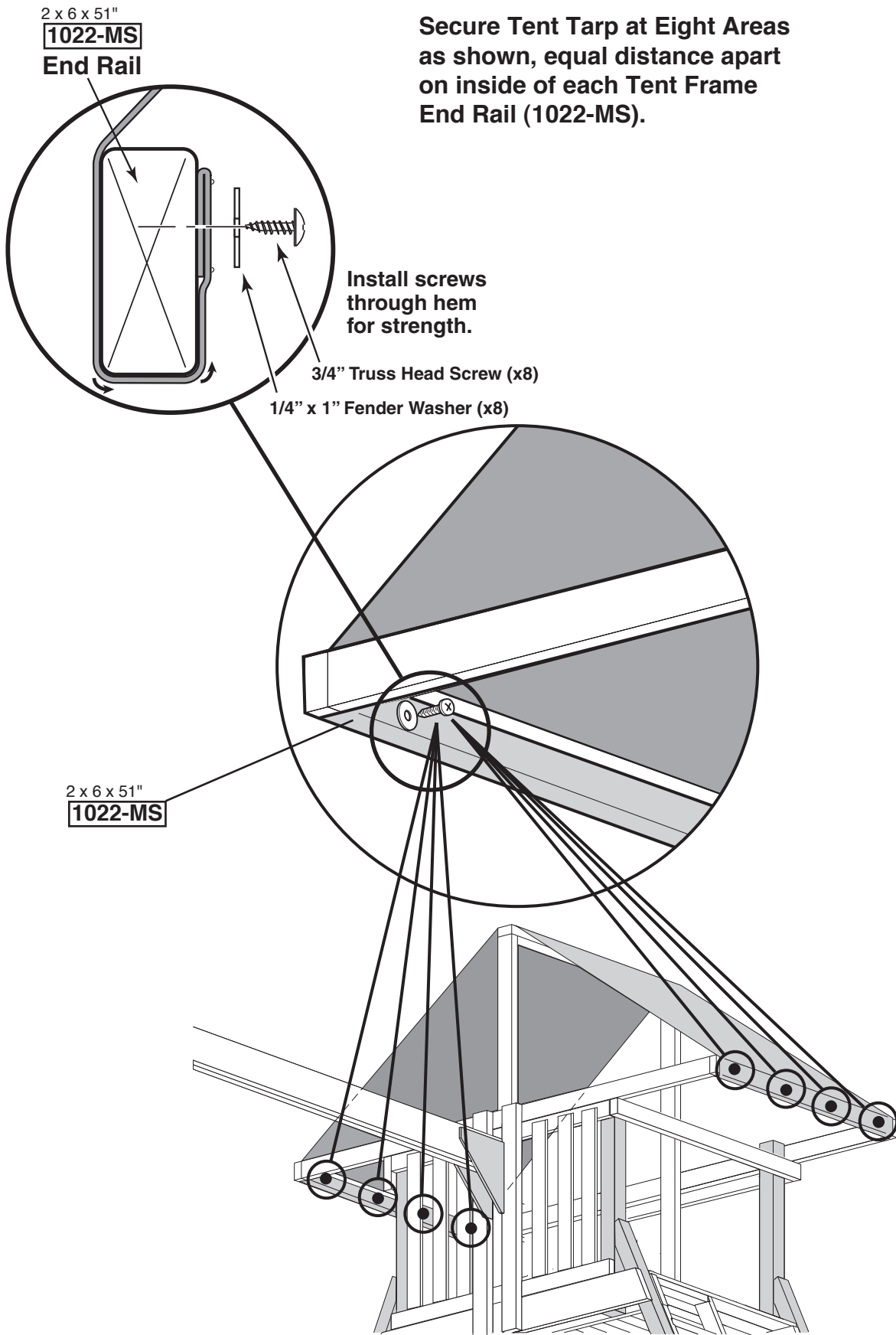
Feed lower end of Climbing Rope through hole in Lower Rail (**1088-MS**) and tie a double knot on the back side (**Fig. 1**).

For Safety, insure that the rope is tight enough so that it can not be looped back on itself.

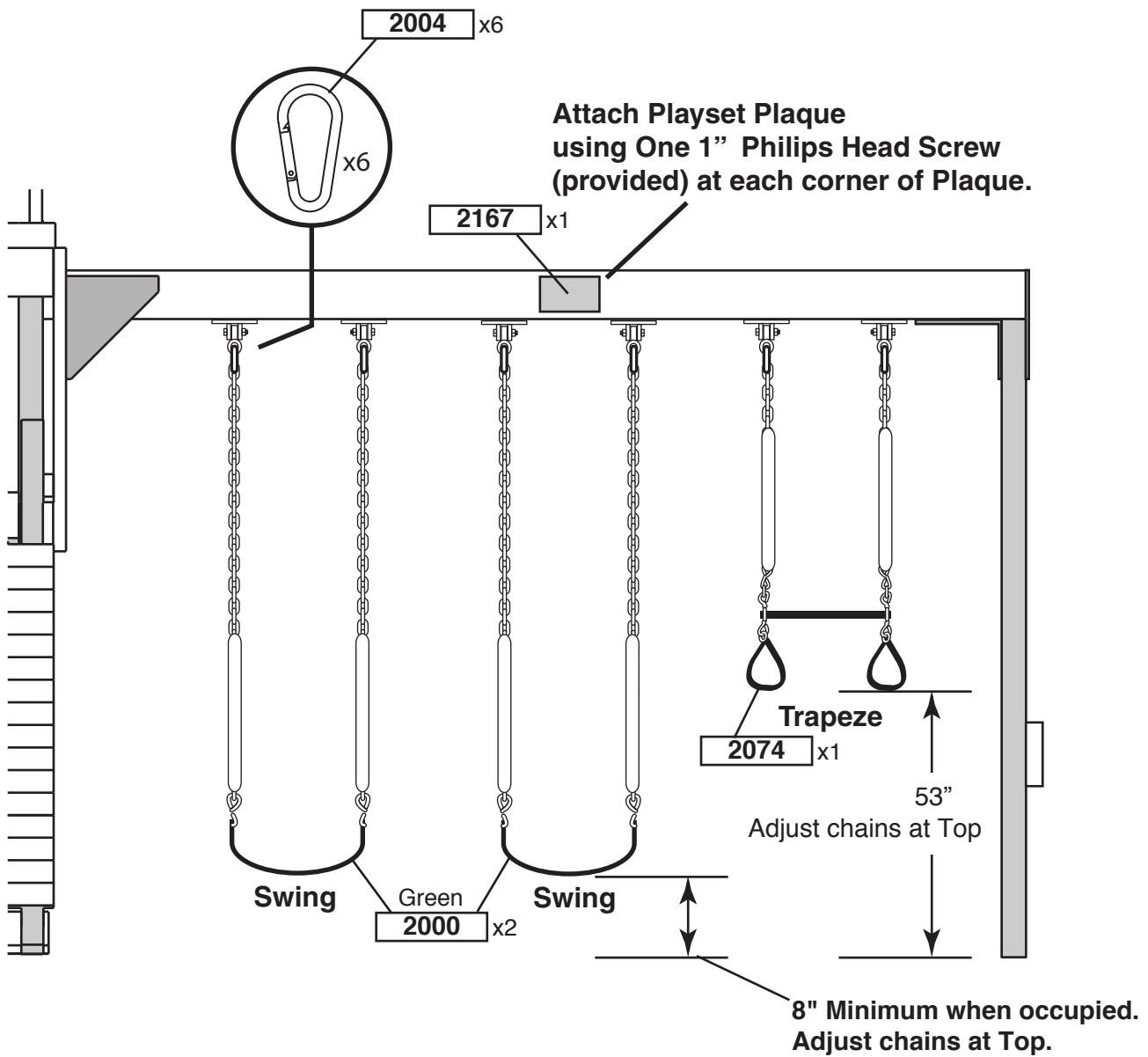
Keep tying double knots at the bottom end of rope until there is no remaining loose rope.

Do not cut ends of rope.



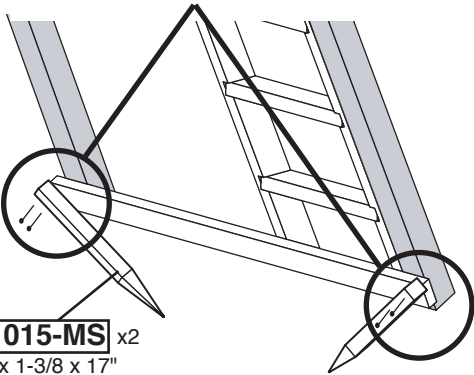


Clip a Spring Clip at the end of each Swing and Trapeze chain. Then, using the Spring Clips, attach the Swings and Trapeze to the swing brackets on the swing beam, as shown below.



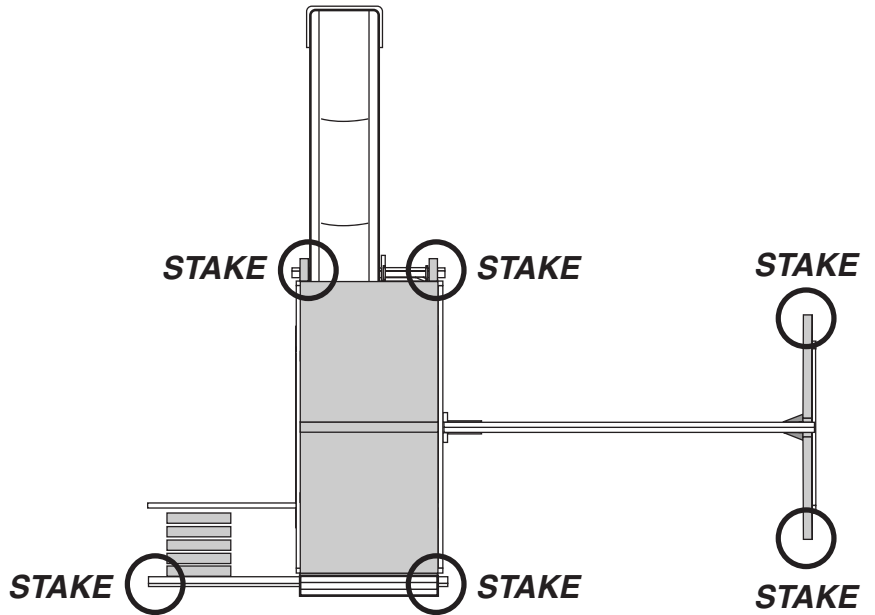
STAKES

Stakes Flush with TOP.

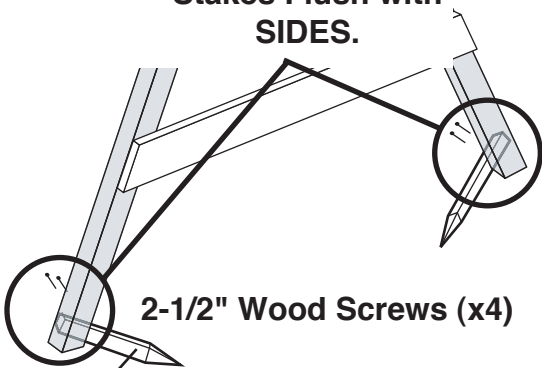


1015-MS x2
1 x 1-3/8 x 17"

2-1/2" Wood Screws (x4)



Stakes Flush with SIDES.



2-1/2" Wood Screws (x4)

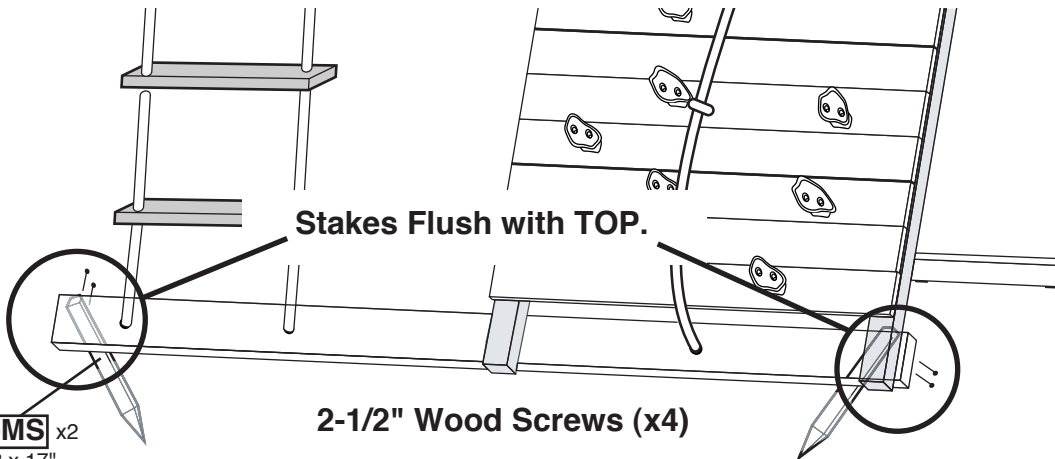
1015-MS x2
1 x 1-3/8 x 17"

Pound in Stakes (1015-MS) at 45 degree angle.

Make sure all base pieces, uprights and slide are resting flat on the ground.

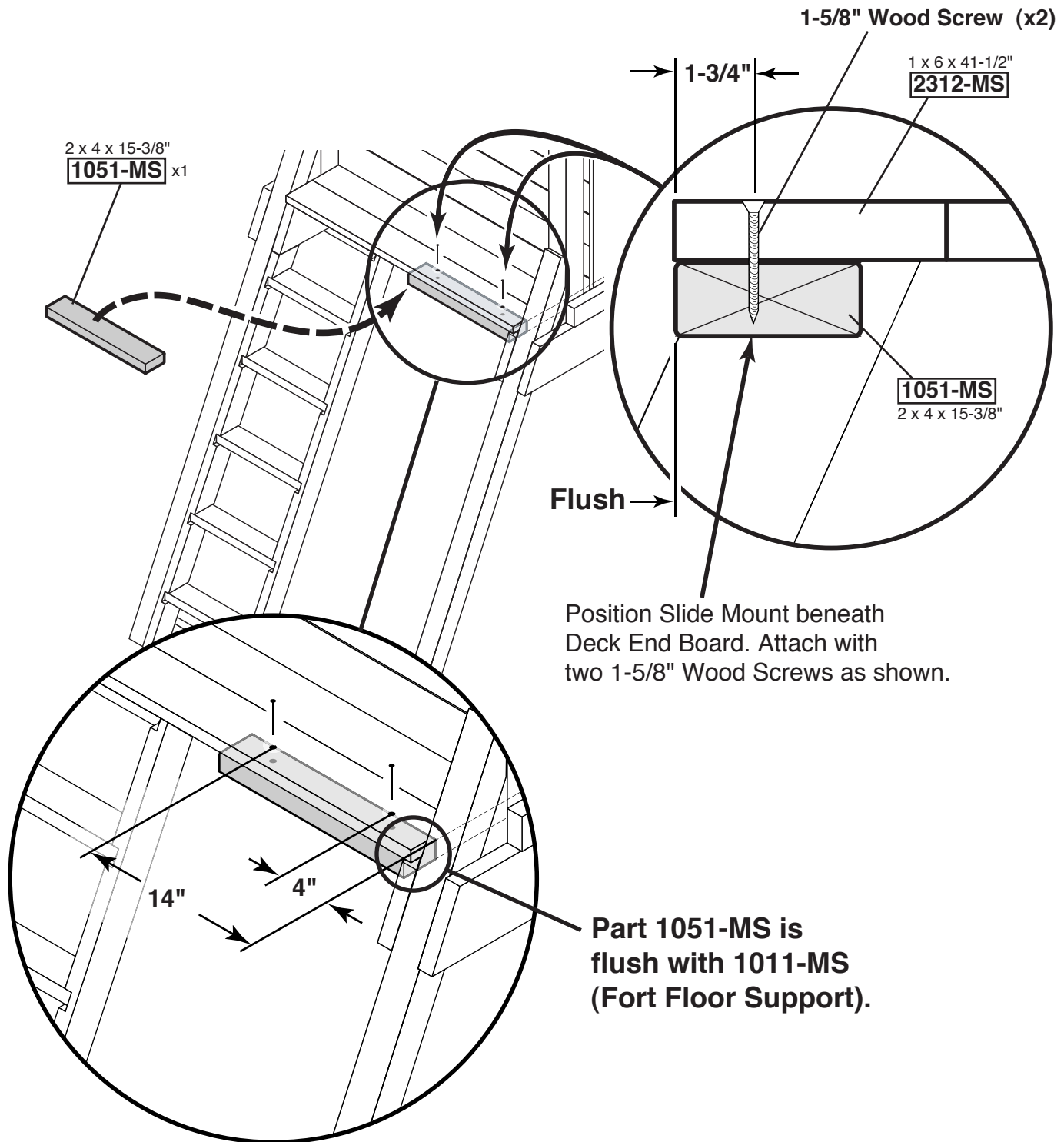
It may be necessary to loosen the soil beneath Playset to make everything level.

Stakes Flush with TOP.



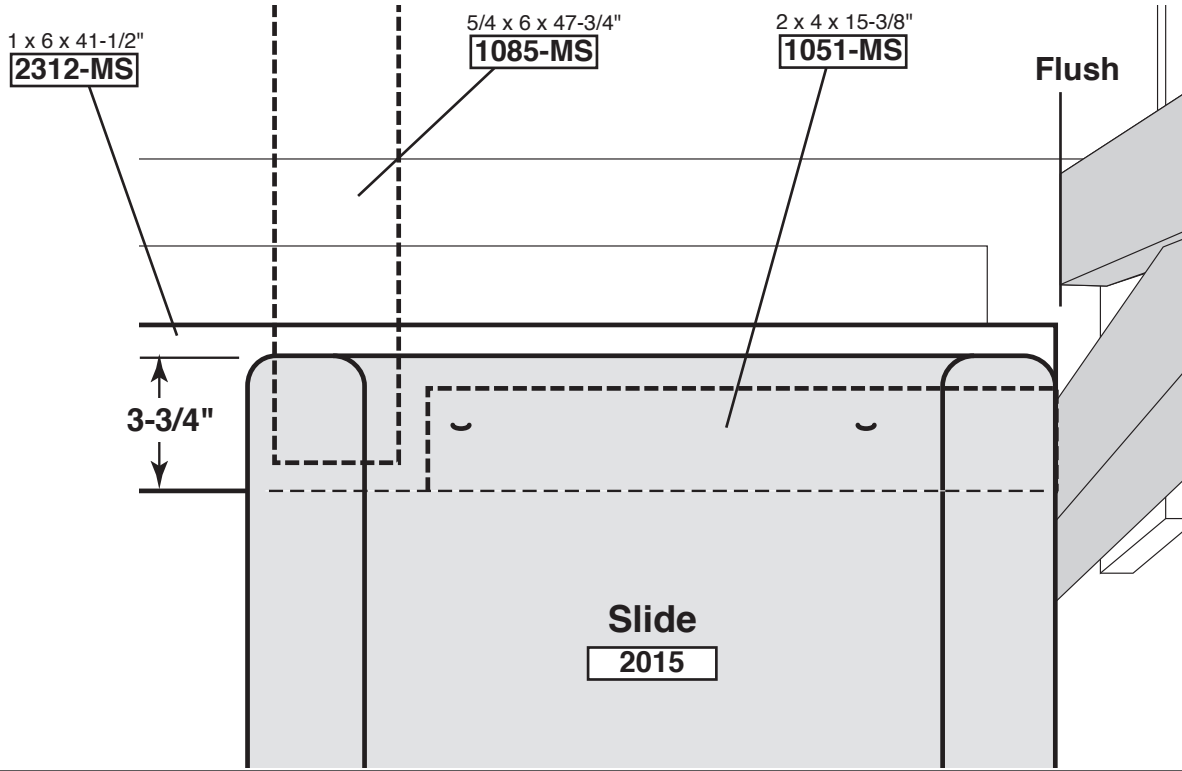
2-1/2" Wood Screws (x4)

1015-MS x2
1 x 1-3/8 x 17"



SLIDE

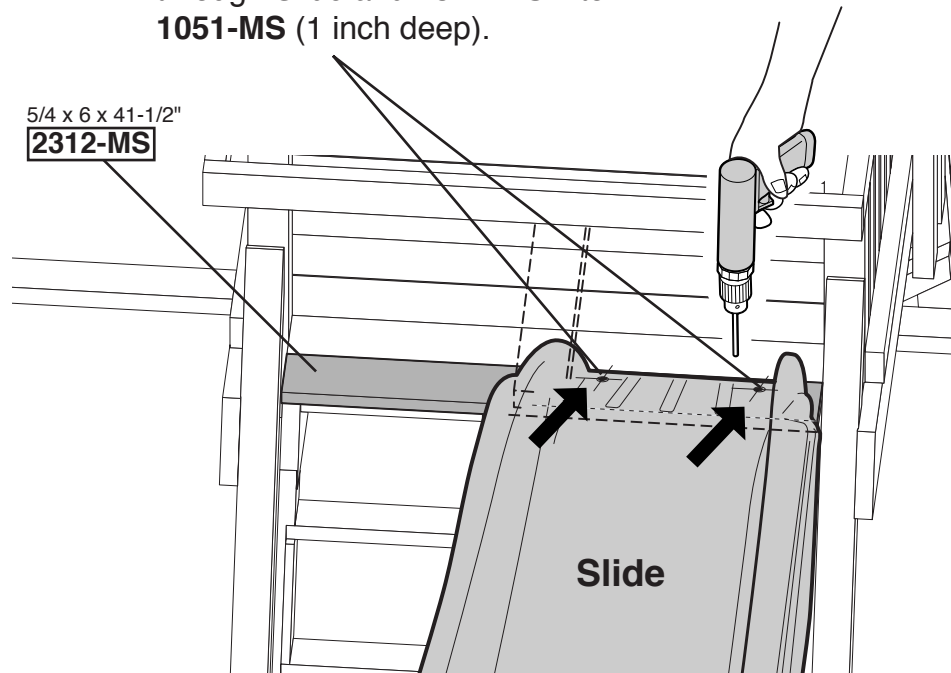
MEASURE



SLIDE

DRILL

Drill 1/8" holes at both dimples through Slide and **2312-MS** into **1051-MS** (1 inch deep).



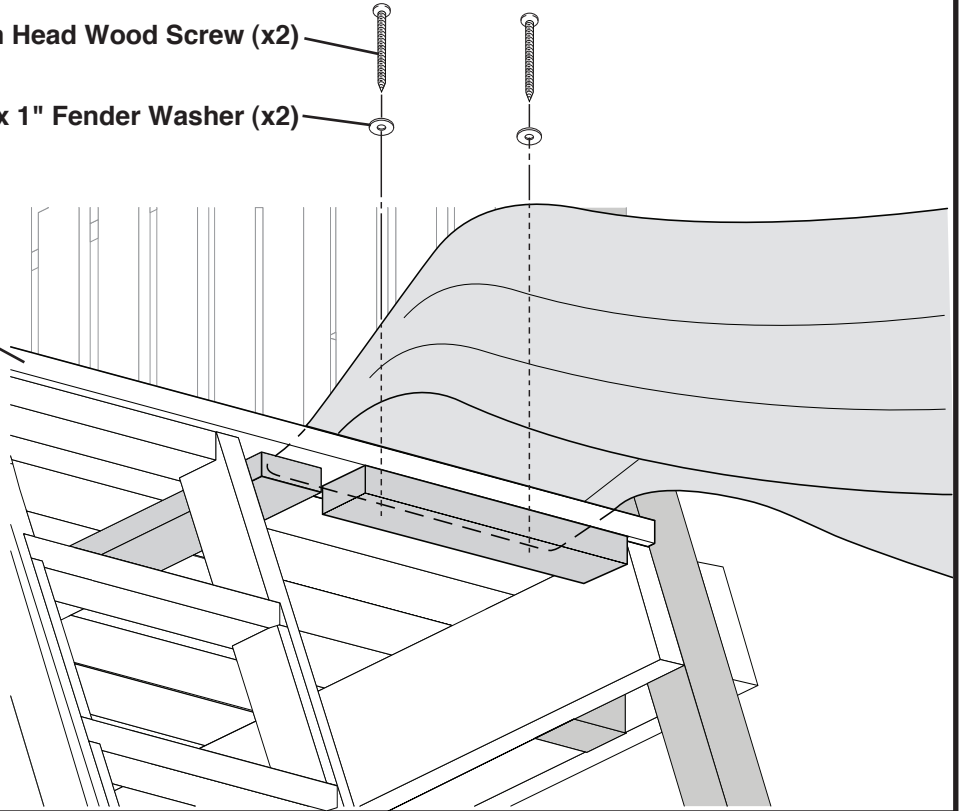
SLIDE

MOUNTING SCREWS

2-1/2" Pan Head Wood Screw (x2)

1/4" x 1" Fender Washer (x2)

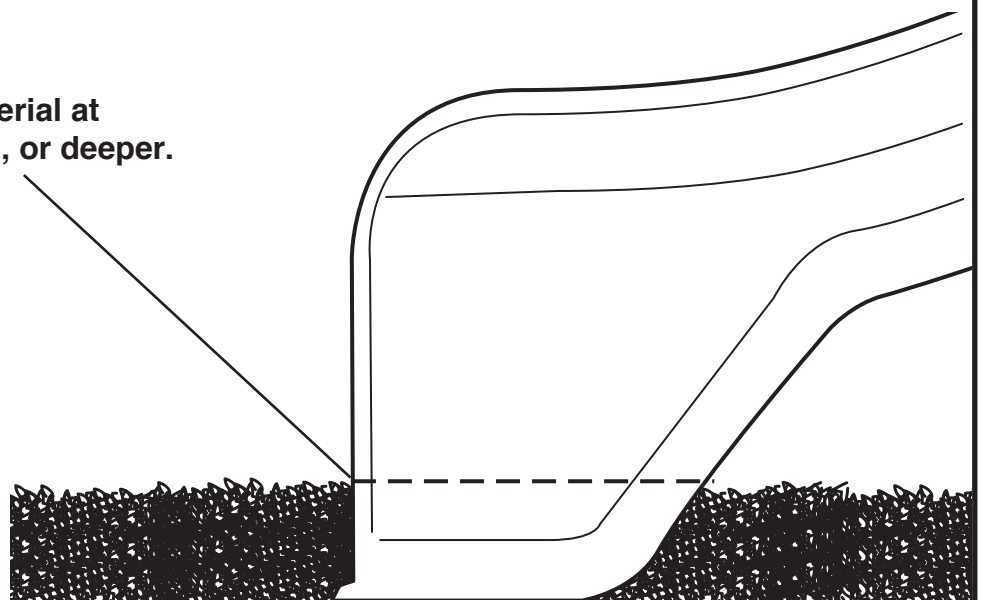
5/4 x 6 x 41-1/2"
2312-MS



SLIDE

SURFACING MATERIAL

Apply Surfacing Material at recommended depth, or deeper.

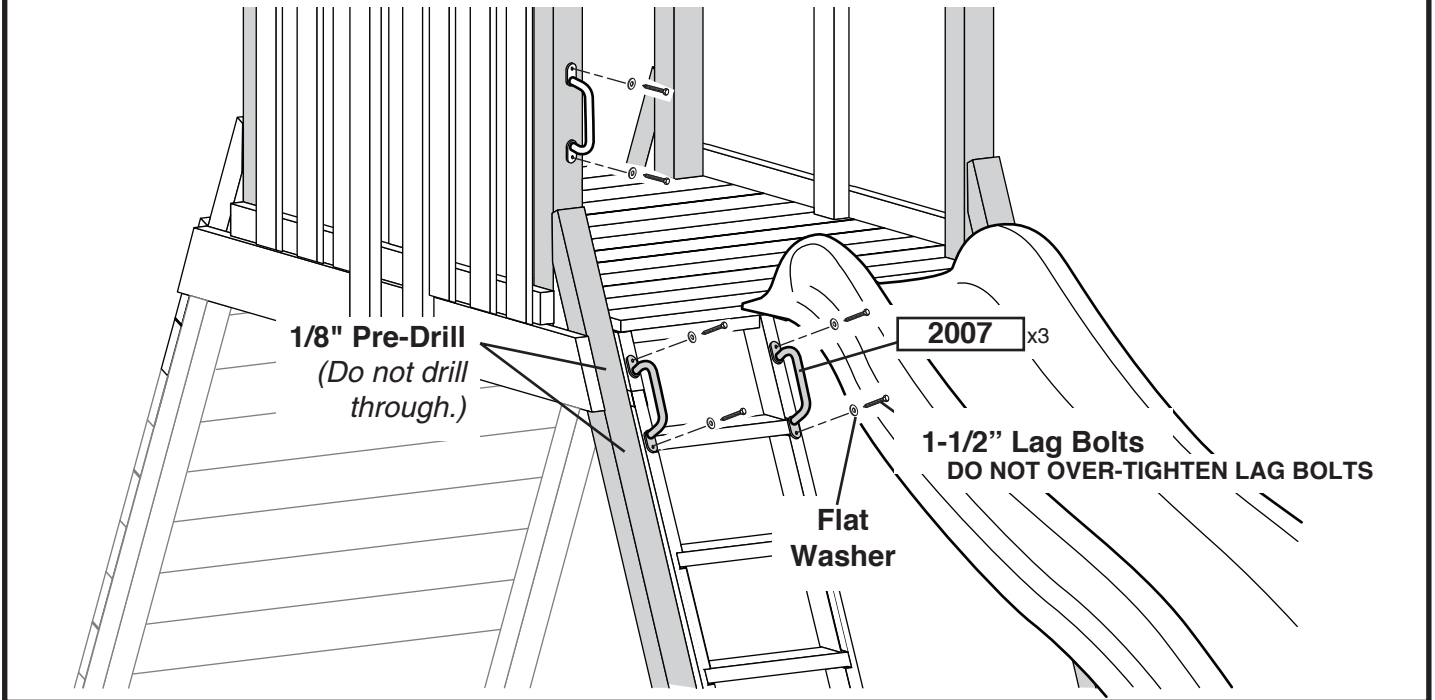


SAFETY HANDLES

INSTALL

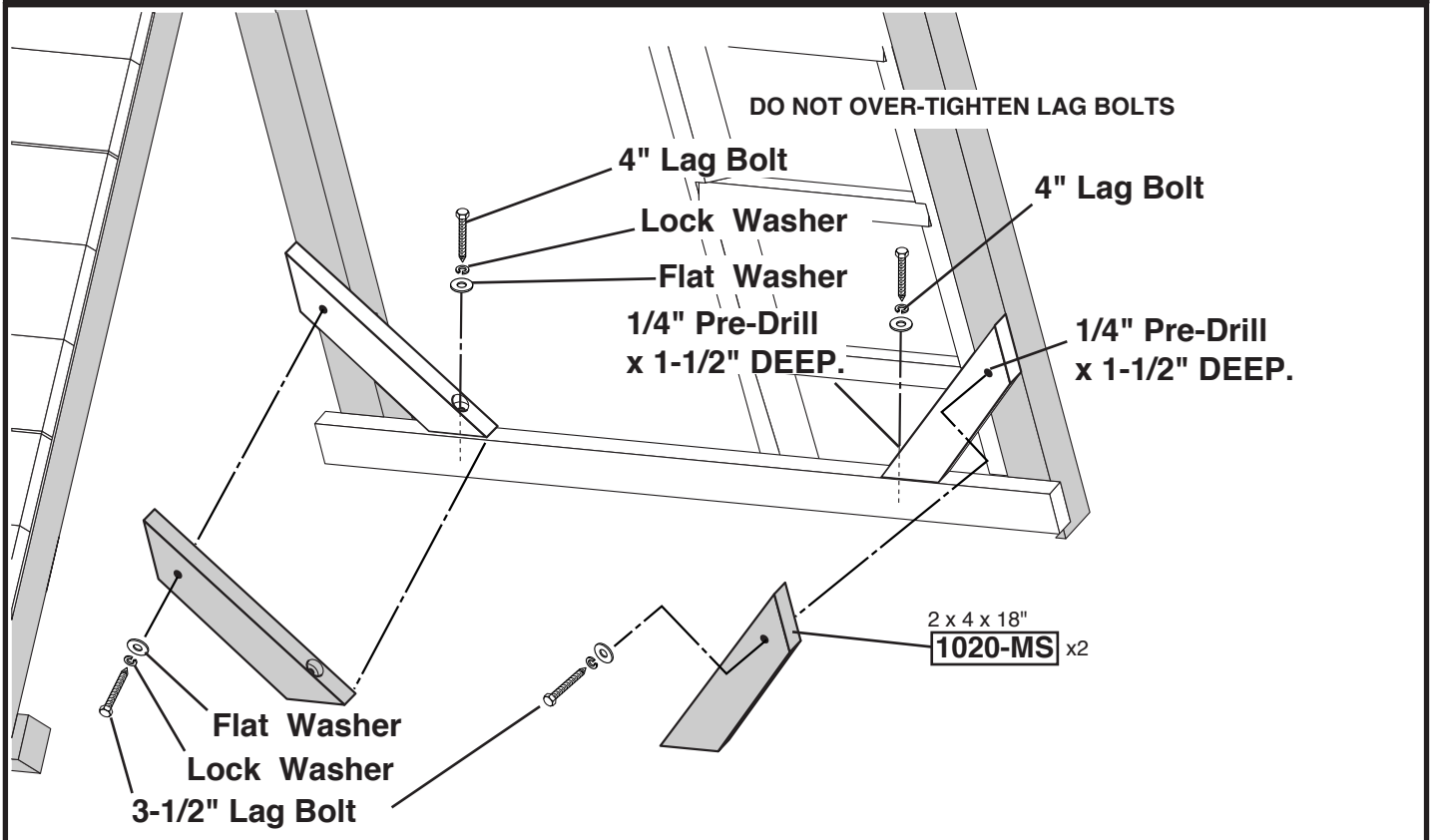
Attach Left and Right Safety Handles to the Step Ladder Rails with two 1/4" x 1-1/2" Lag Bolts through 1/4" Flat Washers. Attach third Safety Handle as shown.

The height of the handles is to be determined by the customer - depending on the age of the child, etc.



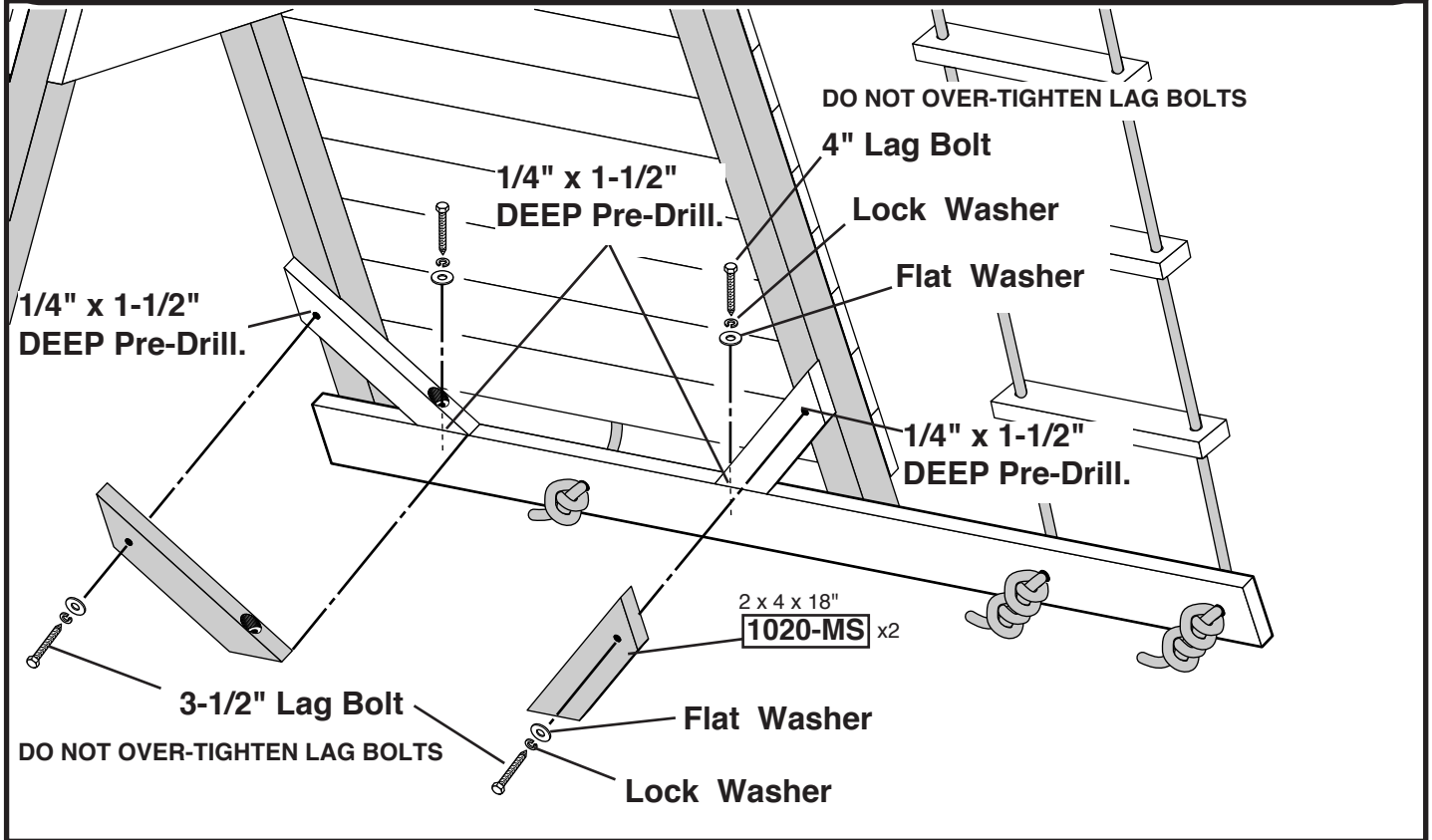
BACK BOTTOM END RAIL GUSSETS

INSTALL



ROPE LADDER BOTTOM SUPPORT GUSSETS

INSTALL



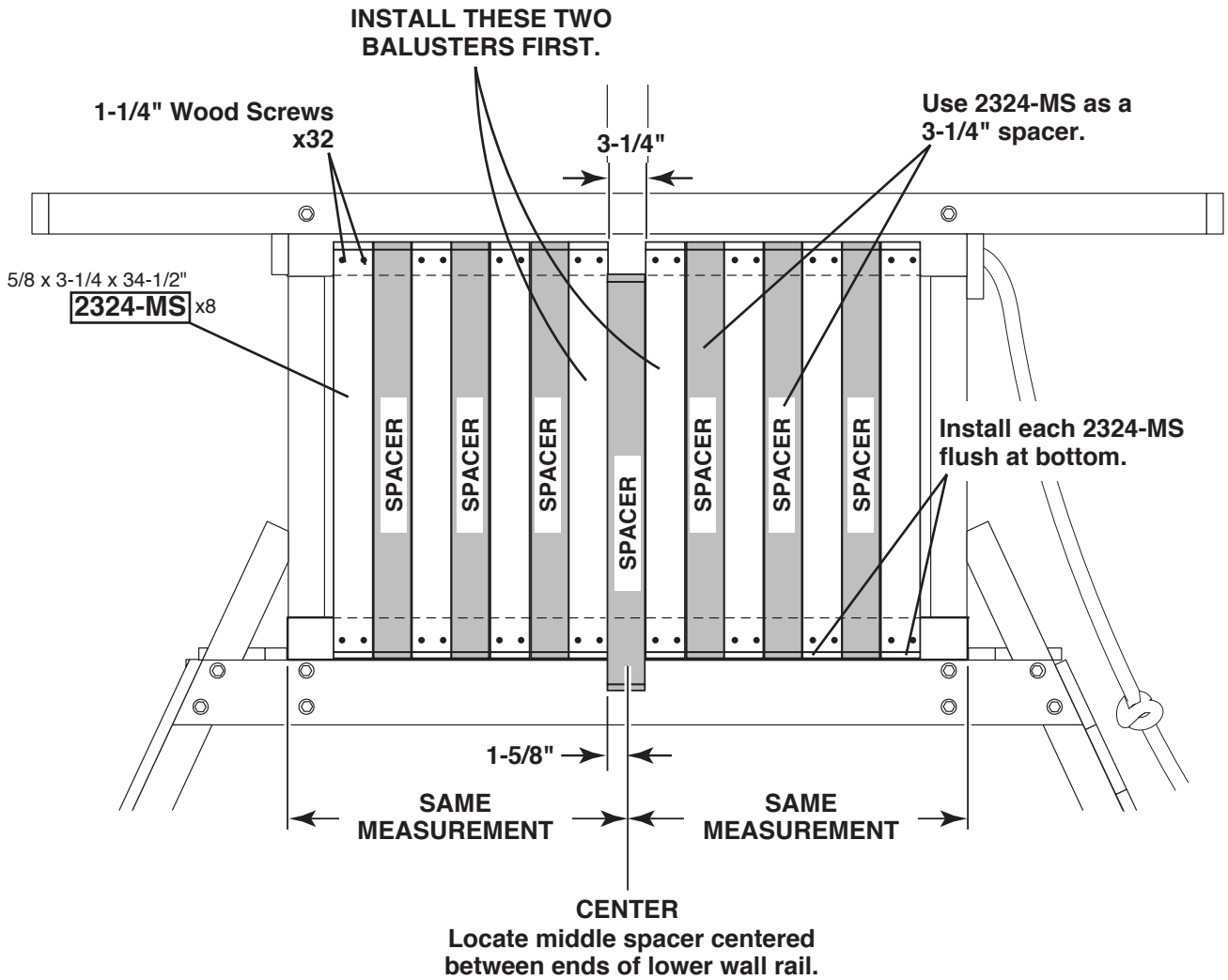
This space intentionally left blank.



**IF YOU DO NOT HAVE MONKEY BARS PROCEED
TO NEXT PAGE.**

IF YOU HAVE MONKEY BARS PROCEED TO PAGE 47.

LEFT SIDE





YOU HAVE FINISHED YOUR BASE PLAYSET.

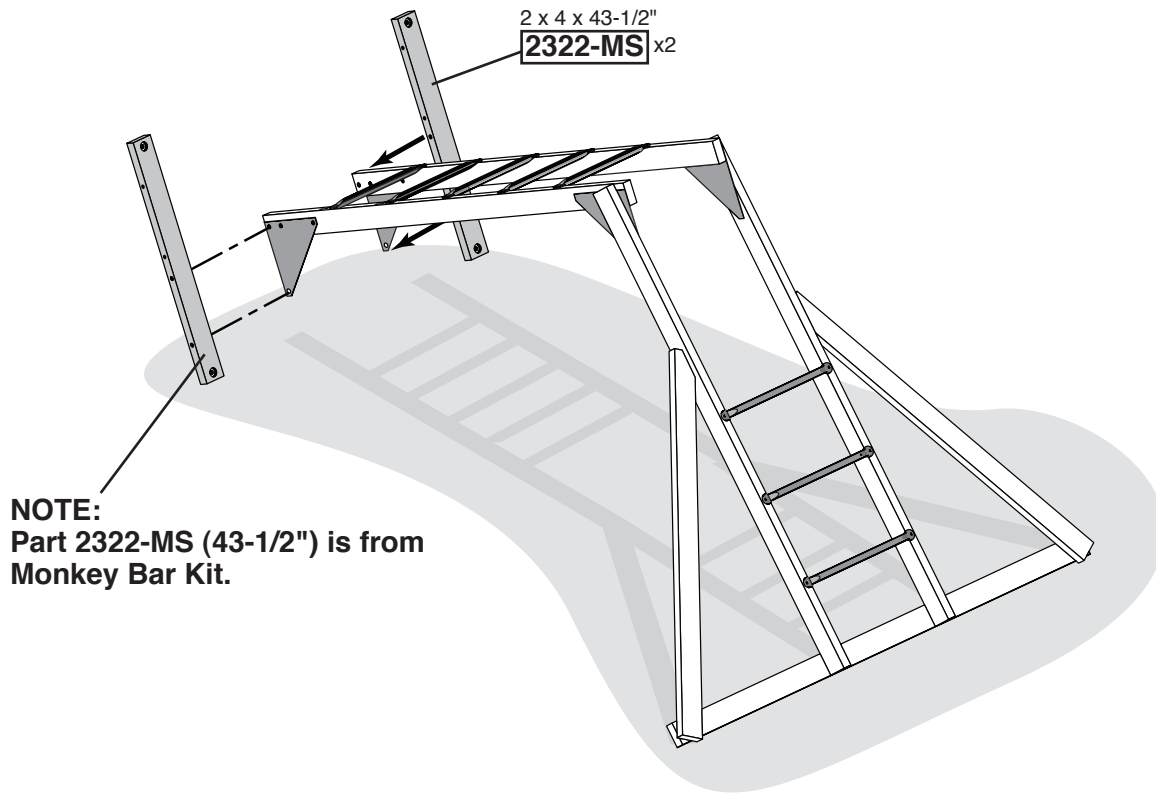
IF YOU HAVE MONKEY BARS PROCEED TO NEXT PAGE.

**THE TIRE SWING KIT MAY BE INSTALLED NOW.
REFER TO THE TIRE SWING INSTALLATION MANUAL.**

**TIRE SWING SAFETY BARRIER INSTALLATION
BEGINS ON PAGE 51.**

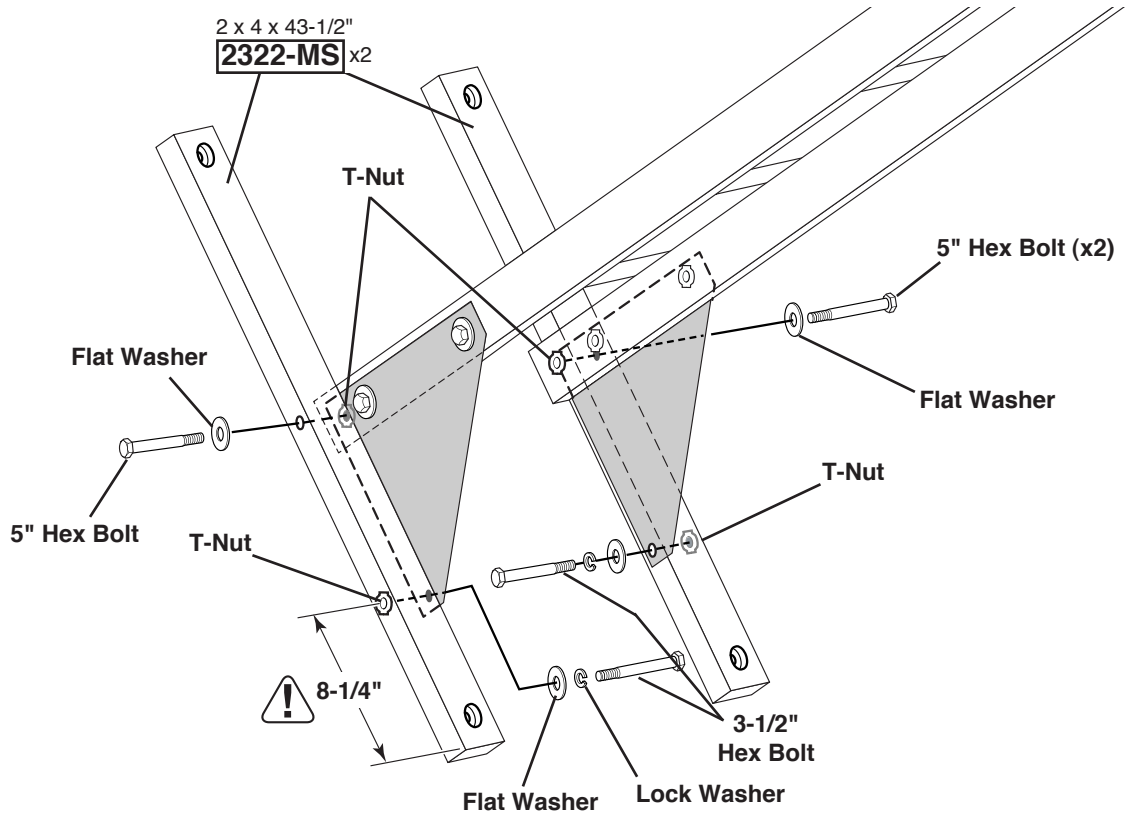
TOP LADDER SUPPORTS

INSTALL



TOP LADDER SUPPORTS

INSTALL



MONKEY BAR

INSTALL POSITION

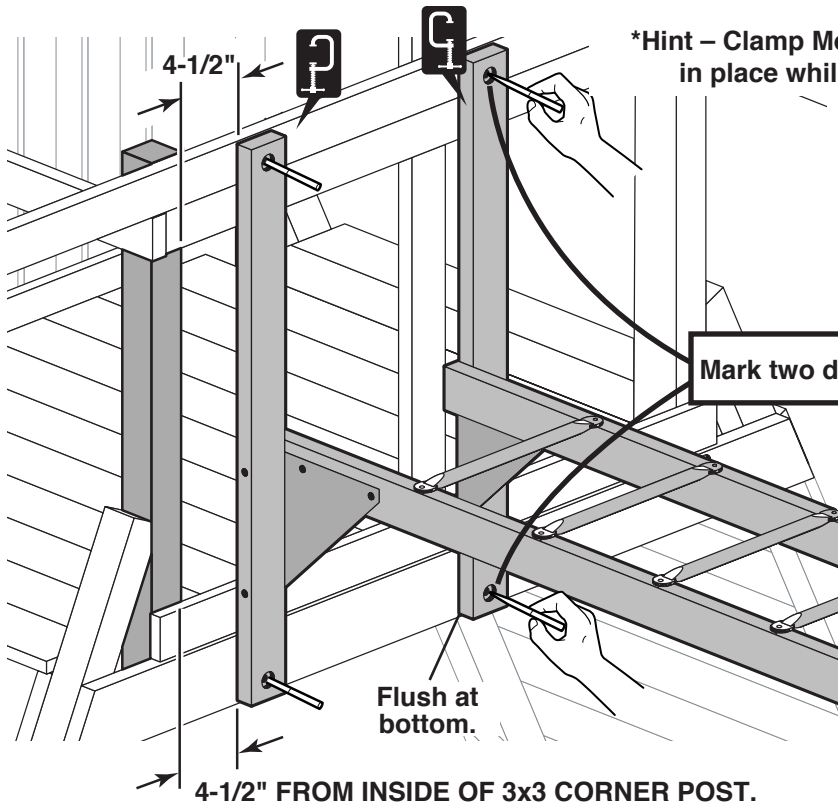


LEFT SIDE

** TWO PEOPLE AND A STEP LADDER ARE RECOMMENDED FOR THIS STEP*

MONKEY BAR

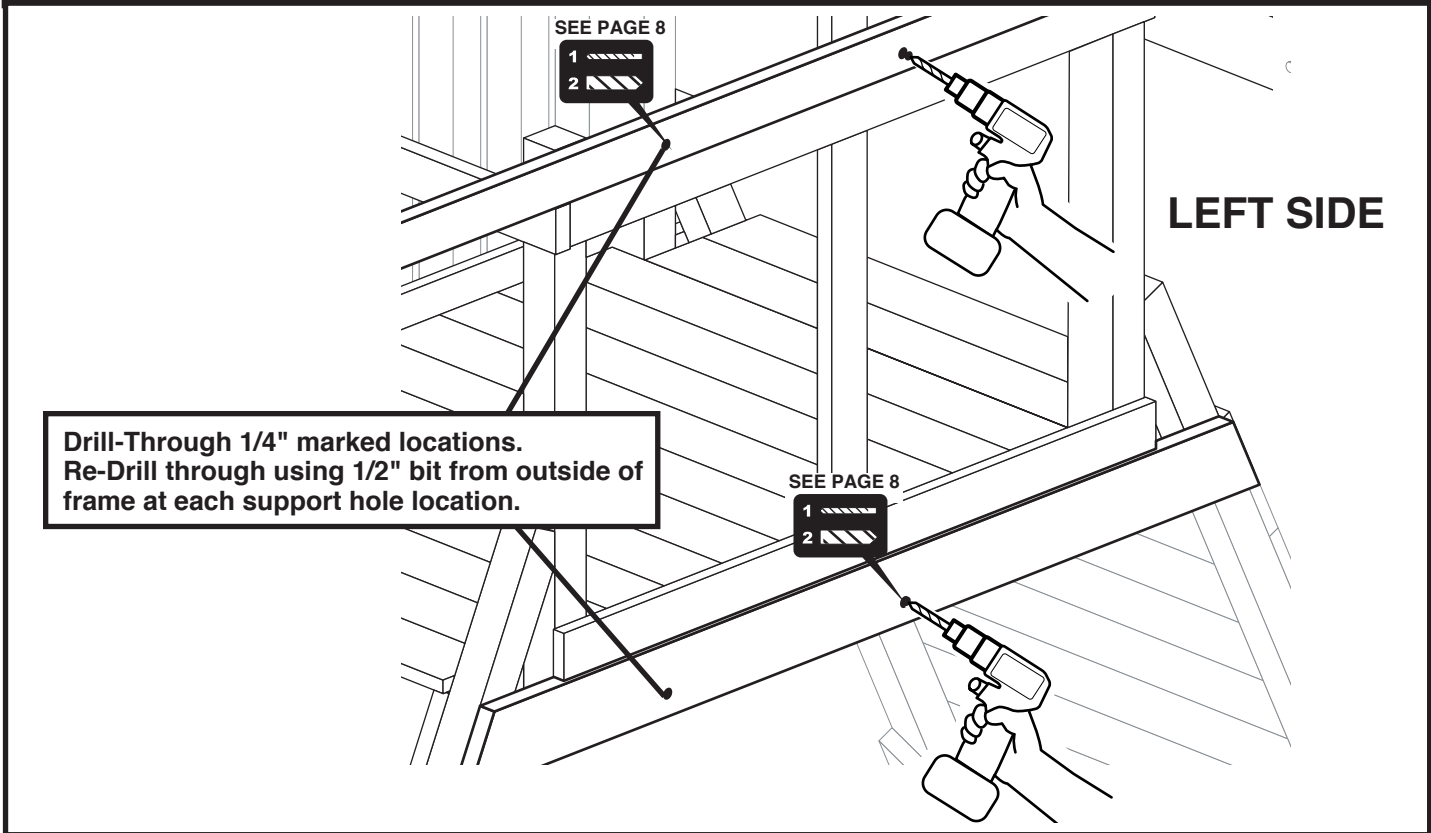
INSTALL - STEP 1



LEFT SIDE

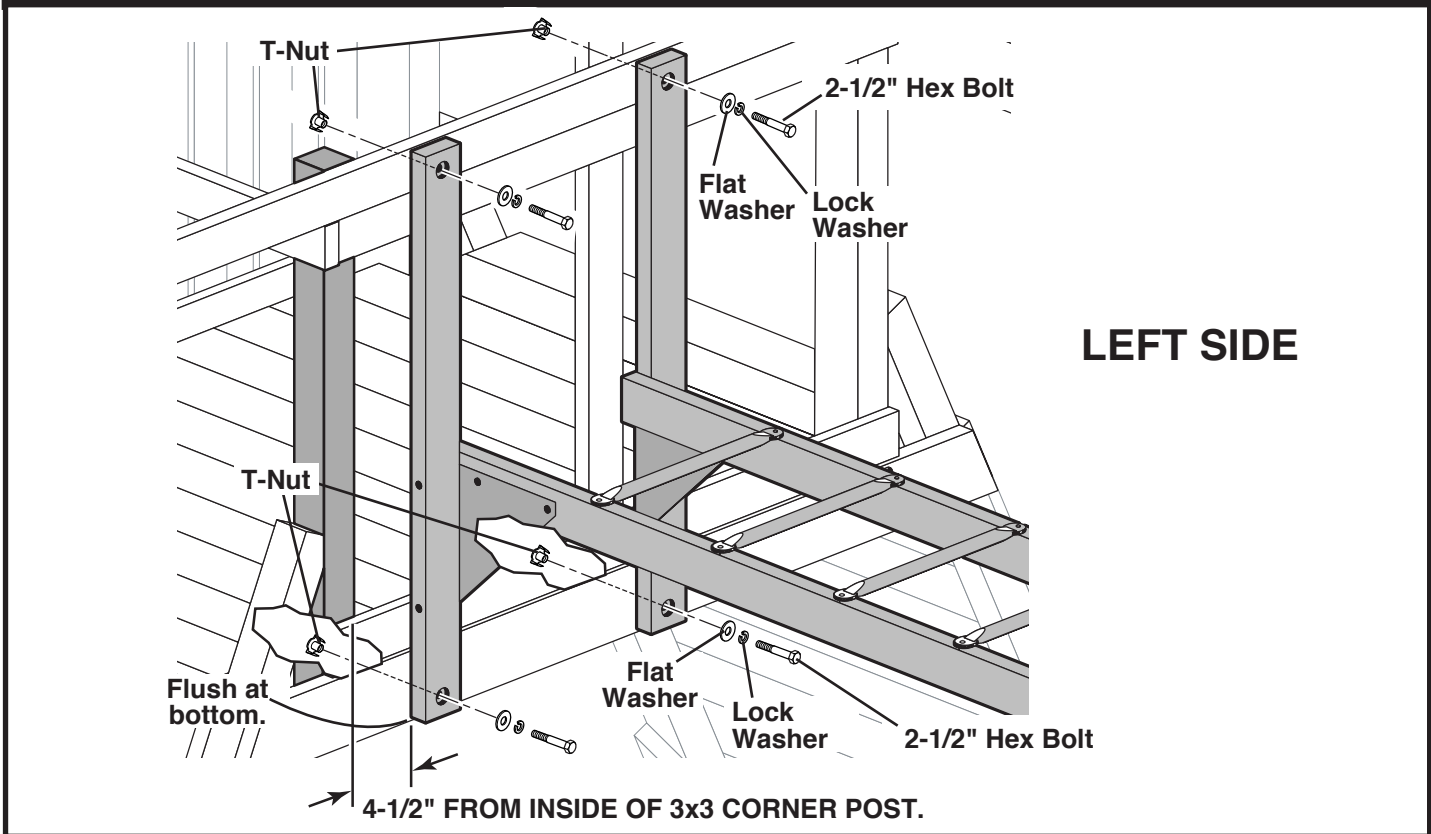
MONKEY BAR

INSTALL - STEP 2

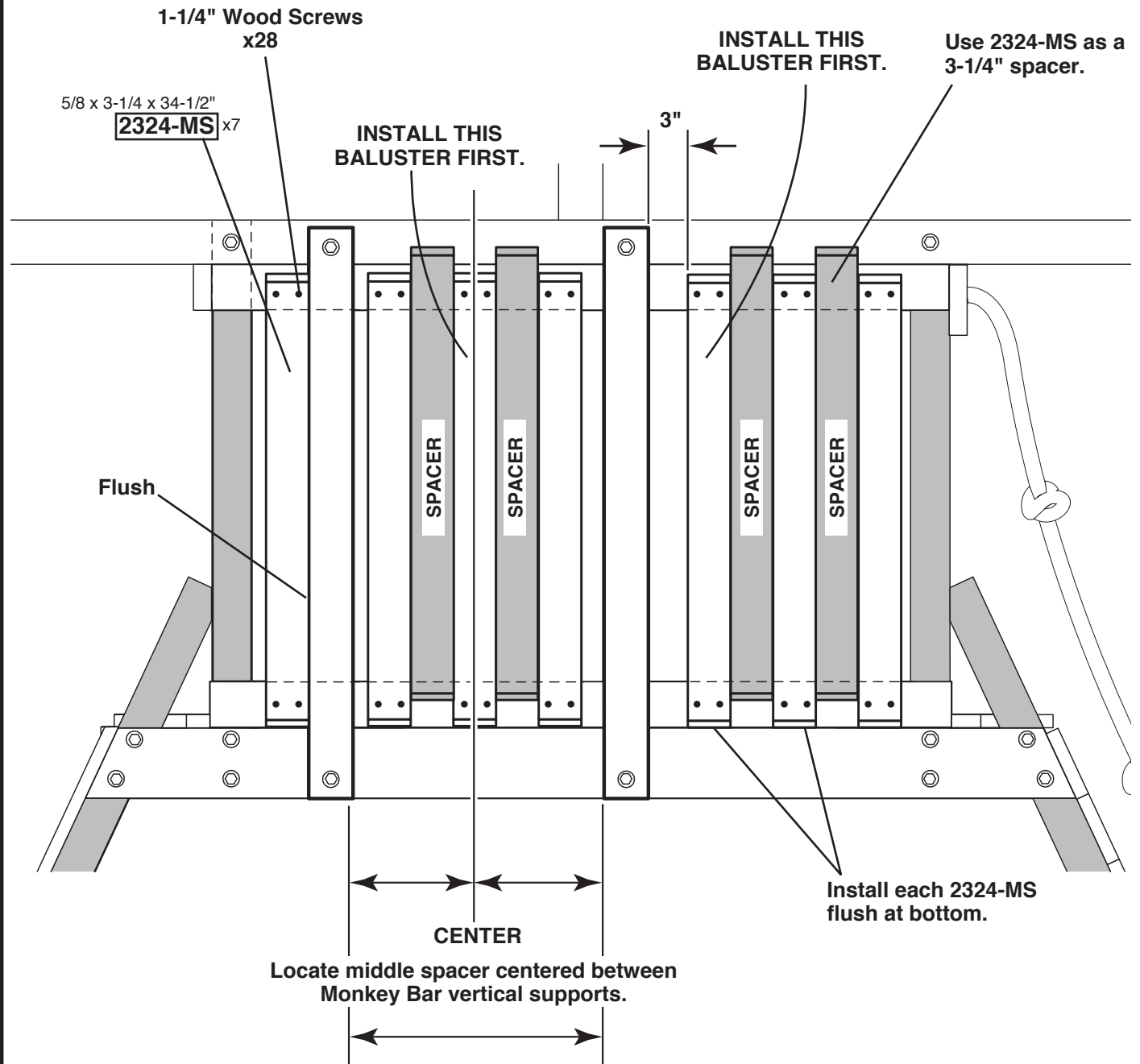


MONKEY BAR

INSTALL - STEP 3

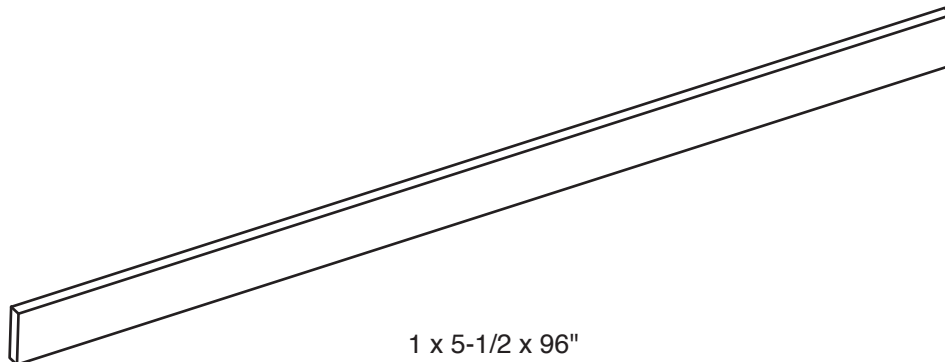


LEFT SIDE

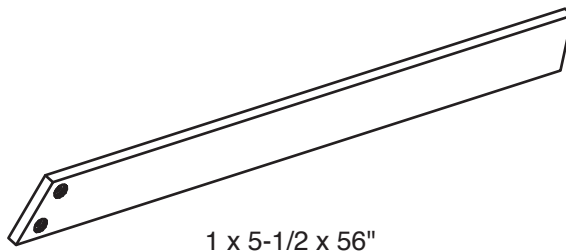


BARRIER FOR THE TIRE SWING ACCESSORY

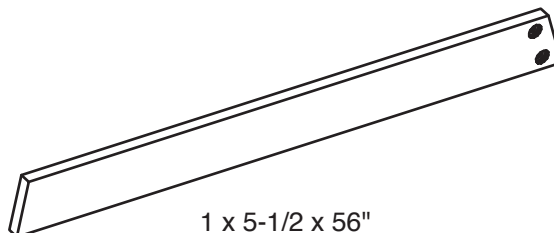
IF YOUR PLAYSET HAS THE TIRE SWING ACCESSORY
INSTALL THIS BARRIER



1221-MS x1



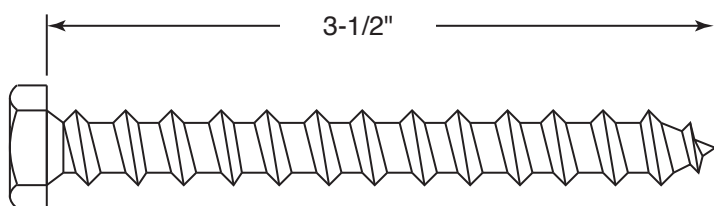
2332-MS x1



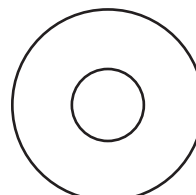
2333-MS x1

HARDWARE BAG 2191

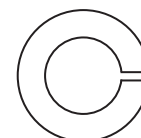
ACTUAL SIZE



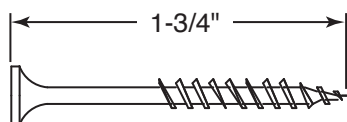
3/8" LAG BOLT x4



3/8" FLAT WASHER x4

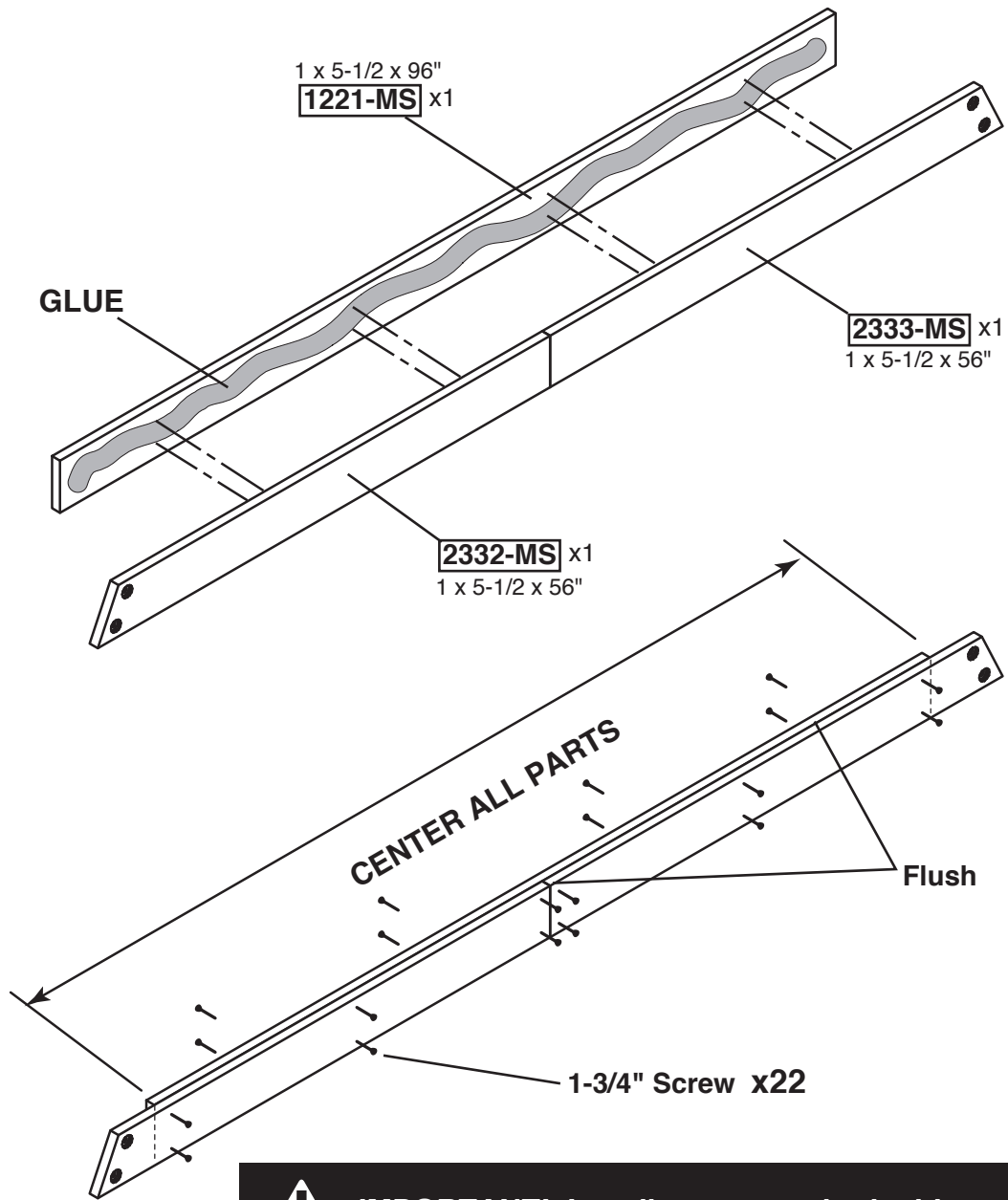


3/8" LOCK WASHER x4

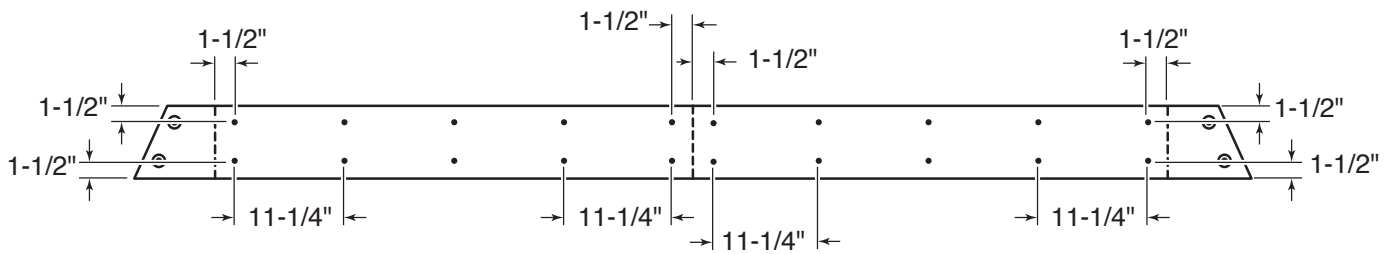


1-3/4" WOOD SCREW x 22

TIRE SWING BARRIER



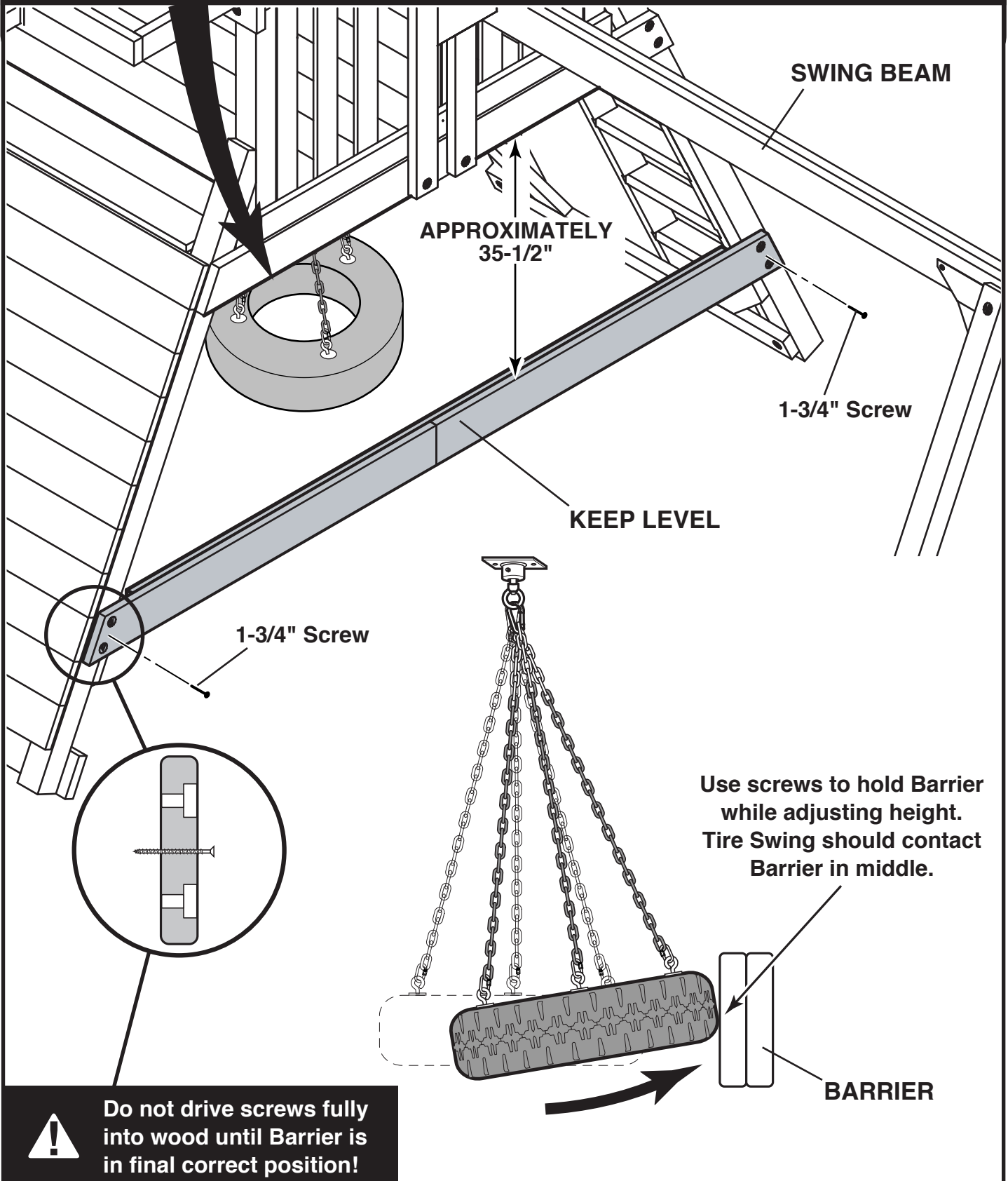
IMPORTANT! Install screws on both sides as shown.



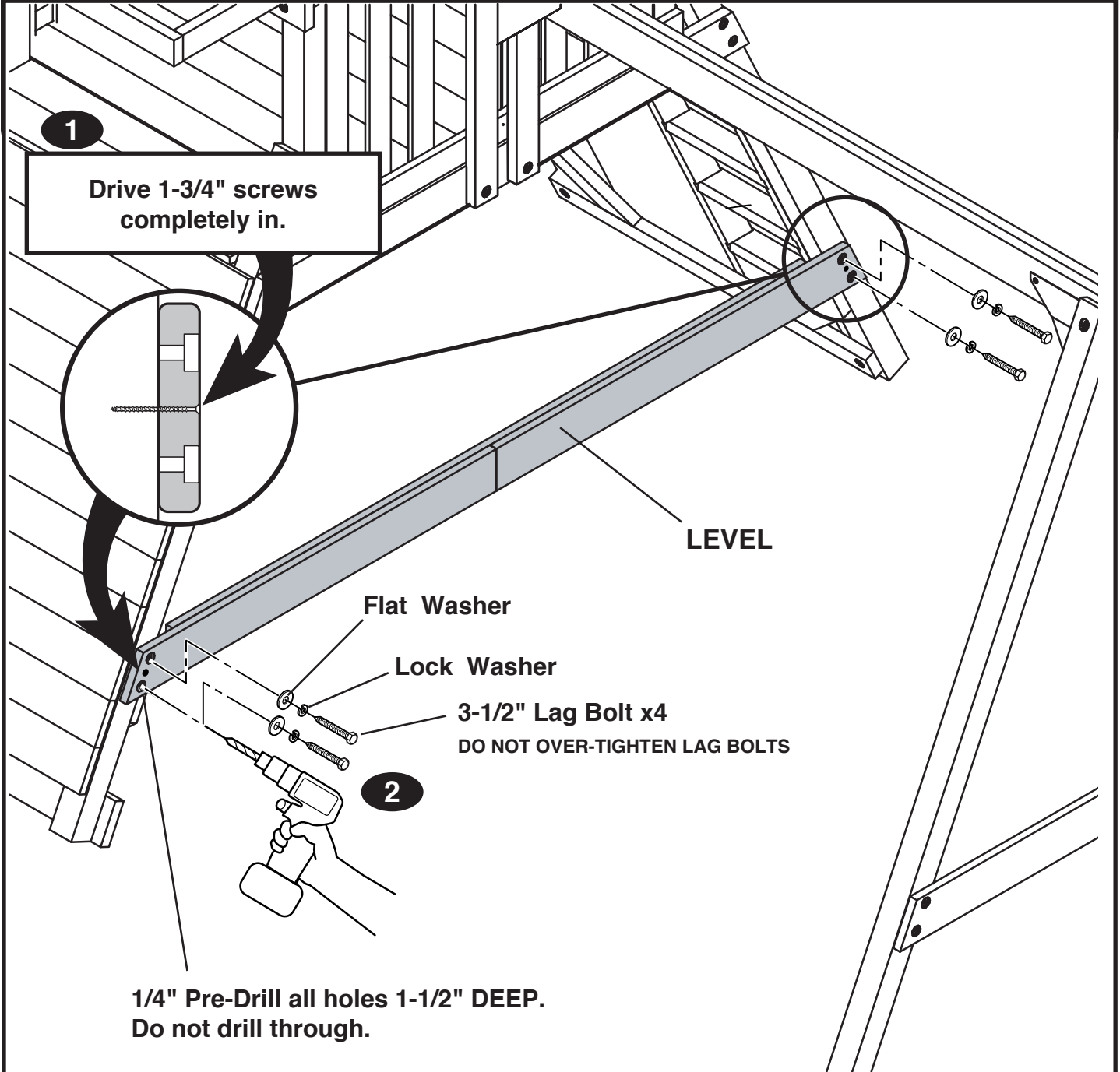
TIRE SWING BARRIER



IMPORTANT! YOU MUST INSTALL TIRE SWING BEFORE INSTALLING THIS BARRIER.



TIRE SWING BARRIER



WARRANTY

Backyard Play Systems warrants the following:

1. All wood and plastic (polymer) coated wood components have a Limited Lifetime Warranty.
 - Treated Wood - Backyard Play Systems will replace treated wood which becomes structurally unfit due solely to damage caused by fungal decay or termites.
 - Plastic (Polymer) Coated Woodguard TM – Backyard Play Systems will replace Woodguard TM components which become structurally unfit due solely to damage caused by fungal decay or termites. The plastic coating color can fade naturally over time. This warranty excludes color fading.
2. All non-wood components* have a three year Limited Warranty.
 - *Ropes carry a one year Limited Warranty.
3. MicroShades Stain Fade Resistance has a two year Limited Warranty.
Backyard Play Systems will replace any wood that has been treated with the MicroShades pigment color system which sustains “significant color changes”.
4. Installation labor has a three year Limited Warranty applicable on playsets installed by Backyard Play Systems. Labor warranty does NOT apply to Do-it-Yourself playset kits or kits installed by a third party.

Backyard Play Systems will repair, replace or pay for the affected part at our discretion. In no event shall Backyard Play Systems pay the cost of labor or installation or any other costs related thereto.

Non-residential use of the system is prohibited and will void this warranty as the system is designed for residential use only.

Conditions

The warranty is effective only when:

1. The unit has been erected in accordance with the assembly instructions.
 - Plastic end caps and hole plugs have been properly installed on plastic coated wood.
2. The unit has been regularly and properly maintained and inspected.
3. The failure occurs when the unit is owned by the original purchaser.
4. This warranty is non-transferable
5. Backyard Play Systems has received a copy of your original proof of purchase with any claims in writing.
6. Backyard Play Systems has had reasonable opportunity during the sixty (60) days following the receipt of notification to inspect and verify the failure prior to commencement of any repair work.
7. “Significant color changes” to wood components is at the discretion of Backyard Products and require proof in the form of photographs or inspection by Backyard Play Systems.

Wooden components may have imperfections such as checks and knots. These are natural blemishes and imperfections which are inherent to wood. The imperfections not resulting in structural failure are not covered under this warranty.

Requirements

To validate your warranty it is necessary to fill out and mail in the enclosed warranty card. And also to maintain and inspect your playset regularly. Regularly is defined as once per start and end of season.

Claim Procedure

To make a claim under this warranty, you can either call 1-866-890-2211 or prepare a letter. Please have ready the information below when you call or include the information in writing:

1. The model and size of the product.
2. A list of the part(s) for which the claim is made.
3. Proof of purchase of the Backyard Play Systems item, as shown on the original invoice.
4. Run Code, as listed on the enclosed warranty card.

Mail the above information to:

Backyard Play Systems
Attn: Customer Service
1000 Ternes Dr.
Monroe, MI 48162

WARRANTY

Please feel free to call our Consumer Help Line Toll Free

1-866-890-2211

April through October M - F 8:00 AM to 7:00 PM EST

Saturday 8:30 AM to 4:30 PM EST

November through March M - F 8:00 AM to 5:00 PM EST

No warranty is offered on the following: (1) equipment subject to abuse, negligence, improper installation, vandalism, acts of God, unauthorized alteration or attachment to equipment other than our own: or (2) equipment subjected to improper use, service or repair by customer or any third party.

To the maximum extent permitted by law, this warranty and the remedies set forth herein are exclusive and expressly in lieu of all other warranties, expressed or implied, including warranties of merchantability or fitness for a particular purpose. If Backyard Play Systems cannot disclaim or exclude implied warranties under applicable law, then to the extent possible any claims under any such implied warranties shall expire on expiration of the applicable warranty period. Some states do not allow limitations on how long an implied warranty lasts, so the above limitation may or may not apply to you. Backyard Play Systems does not assume, or authorize any person to assume for us, any other liability in connection with the sale of our products.

To the maximum extent of the law, Backyard Play Systems assumes no responsibility for incidental or consequential damages which may arise from the purchase or use of our playset or equipment. Some states do not allow the exclusion or limitation of incidental or consequential damages, so the above limitation or exclusion may not apply to you.

If any provision of this limited warranty is invalid, void or unenforceable in any instance or respect, the unenforceable provision will be severed and reformed to effect the intent of this limited warranty to the maximum extent possible, and the remaining provisions shall continue in full force and effect and shall be enforced to the full extent permitted by law.

This warranty gives you specific legal rights, and you may also have other rights which vary from state to state.

- WARRANTY TERMS MAY VARY OUTSIDE THE U.S.A.**
- This manual is your warranty certificate. Please retain your original proof of purchase and this manual for any warranty claims.