



PLAYGROUND

MODEL N° 90045

*OWNER'S MANUAL*

COPY

Keep this Product ID Number and use when contacting Customer Service:

## REGISTER YOUR LIFETIME PRODUCT TODAY!

There are benefits to registering your Lifetime product. With our new online product registration form, it's fast and easy! Register with us at [www.lifetime.com](http://www.lifetime.com) and enjoy these great benefits:

- Receive exclusive money-saving offers from BuyLifetime.com, our online store, as well as NEW product notifications and special closeout promotions!
- In the unlikely event of a product recall or safety modification, we will notify you.
- Registering your product guarantees you warranty service. If you do not register your product, your warranty rights will not be diminished. But you will need to provide a sales receipt to verify your product purchase date before warranty service will be provided.

### LIFETIME'S PROMISE TO YOU:

*Maintaining your privacy is our long-standing policy at Lifetime. And you can rest assured that Lifetime will not sell or provide your personal data to other third parties, or allow them to use your personal data for their own purposes.*

We invite you to read our privacy policy at [www.lifetime.com](http://www.lifetime.com)

**REGISTER today!**

**Save this owner's manual for future reference and in the event that the manufacturer has to be contacted.**

**\*\*U.S. and Canada customers ONLY\*\***

IF ASSISTANCE IS NEEDED,

**DO NOT CONTACT THE STORE!**

**CALL OUR CUSTOMER SERVICE DEPARTMENT at 1 (800) 225-3865**

HOURS: 7:00 a.m. to 5:00 p.m. Monday through Friday (Mountain Standard Time)

\*\*Call, or visit our Web site for Saturday hours\*\*

Lifetime Products, Inc.

PO Box 160010 • Freeport Center, Bldg. D-11 Clearfield, Utah 84016-0010

\*\*For customers outside the U.S. or Canada, please visit our web site at [www.lifetime.com](http://www.lifetime.com)\*\*



## SAFETY INSTRUCTIONS



**FAILURE TO FOLLOW THESE WARNINGS MAY RESULT IN SERIOUS INJURY OR PROPERTY DAMAGE AND WILL VOID WARRANTY.**

To ensure safety, do not attempt to assemble this system without following the instructions carefully. Check entire box and inside all packing material for parts and/or additional instruction material. Before beginning assembly, read the instructions and identify parts using the hardware identifier and parts list in this document. Proper and complete assembly, use and supervision are essential for proper orientation and to reduce the risk of accident or injury. A high probability of serious injury exists if this system is not installed, maintained, and/or operated properly.

*Most injuries are caused by misuse and/or not following instructions. Use caution when using this system.*

***This product is intended for use by children ages 3 to 10, and is for outdoor residential use only.***

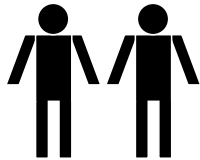


## WARNING

To ensure your safety, do not attempt to assemble this system without reading and following all instructions carefully. Identify and inventory the parts using the Parts List. Failure to comply with any of the warnings in these instructions may result in serious personal injuries such as cuts, broken bones, nerve damage, paralysis, brain injury, or death. Failure to comply may also result in property damage. Please heed all warnings and cautions.

## BEFORE BEGINNING ASSEMBLY

- A. Keep the hardware bags and their contents separate. If any parts are missing, call our Customer Service Department.
- B. Test fit all Bolts by inserting them into their respective holes. If necessary, carefully scrape away any excess powder coating buildup from inside the holes. Do not scrape away all of the powder coating. Bare metal may rust. You may need to pound some Bolts into place with a hammer or mallet.

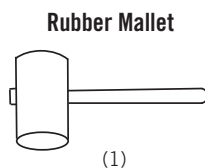
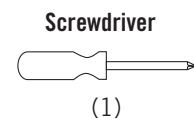
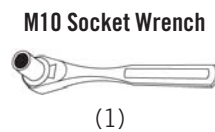
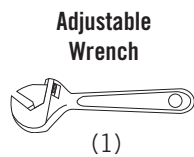
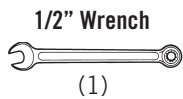


***\*Two adults required to complete assembly\****

**Only adults should set up the play equipment. Do not allow children in the setup area until assembly is complete.**



## TOOLS AND PARTS REQUIRED FOR THIS ASSEMBLY



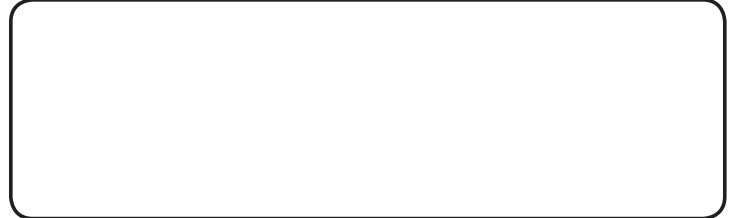
## ASSEMBLY GUIDES

*Refer to the following areas throughout the instructions to assist in the assembly process:*

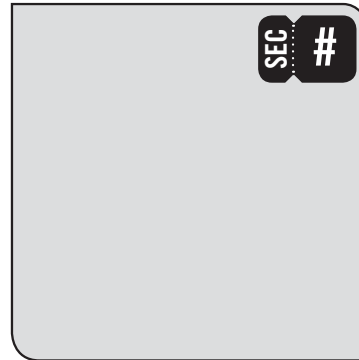
This area is located at the top, left-hand corner of the page and indicates which tools and hardware are needed to complete the assembly steps on a page.



TOOLS AND HARDWARE REQUIRED FOR THIS PAGE



This area is located at the top, right-hand corner of the page and shows an image of the product with shaded parts indicating which section is being assembled.



This area is usually located in the bottom, left-hand corner of a step and indicates that special attention is needed to perform a particular part of a step.



Note:

These areas are usually located in the bottom, right-hand corner of a step and indicate that damage to the product or serious injury may occur if the caution or warning is not heeded.



**CAUTION**



**WARNING**

## **\*\*IMPORTANT SAFETY INFORMATION\*\***

### **PLEASE READ BEFORE BEGINNING ASSEMBLY:**

#### ***INSTALLATION & GROUND PREPARATION INSTRUCTIONS***

- Place the equipment on a level, well-drained ground, not less than 6 ft (1.8 m) from any structure or obstruction such as a fence, garage, or house.
- Provide enough room so that children can use the equipment safely. For example, for structures with multiple play activities, a slide should not exit in front of a swing.
- Separate active and quiet activities from each other. For example, locate sandboxes away from swings or use a guardrail or barrier to separate the sandbox from the movement of the swings.
- Do not install home playground equipment over concrete, asphalt, packed earth, grass, carpet, or any other hard surface. A fall onto a hard surface can result in serious injury to the equipment user (see page 7).
- To prevent serious injury, warn children that they must not use the equipment until properly installed.
- Create a site free of obstacles that could cause injuries – such as low overhanging tree branches, overhead wires, tree stumps and/or roots, large rocks, bricks, and concrete.
- Choose a level location for the equipment. This can reduce the likelihood of the play set tipping over and loose-fill surfacing materials washing away during heavy rains
- For any questions call our Customer Service Department at 1-800-225-3865 for more information.

#### ***PLAYGROUND AND SURFACE MATERIALS INSTRUCTIONS***

- Use containment, such as digging out around the perimeter and/or lining the perimeter with landscape edging.
- Do not install loose fill surfacing over hard surfaces such as concrete or asphalt.
- Installations of rubber tiles or poured-in-place surfaces (other than loose-fill materials) generally require a professional and are not “do-it yourself” projects.
- Use Playground Surfacing Materials (other than loose-fill material) which comply to the safety standard ASTM F1292 Standard Specification for Impact Attenuation of Surfacing Materials within the Use Zone of Playground Equipment.

## ***OPERATING INSTRUCTIONS***

Observing the following instructions and warnings reduces the likelihood of serious or fatal injury:

- The maximum number of occupants that may safely use the entire play set including all components is four with a maximum weight of 350 pounds (159 kg).
- On-site adult supervision should be provided for children of all ages.
- Keep hands and feet clear of the rocking mechanism.
- Stay clear of the propellers when in motion.
- Instruct children not to walk close to, in front of, behind, or between moving items.
- Instruct children to sit only on the seats.
- Instruct children not to use the equipment in a manner other than intended.
- Instruct children not to get off the equipment while it is in motion.
- To prevent entanglement and strangulation, dress children appropriately using well-fitting shoes and avoiding ponchos, scarves, jackets with neck drawstrings, helmets with straps, and other loose-fitting clothing that is potentially hazardous while using equipment.
- Instruct children not to play when the equipment is wet.
- Instruct children not to attach items to the playground equipment that are not specifically designed for use with the equipment, such as, but not limited to, jump ropes, clothesline, pet leashes, cables and chain as they may cause a strangulation hazard.
- Do not move the equipment while it is in use.

## ***MAINTENANCE INSTRUCTIONS***

- If routine checks and maintenance procedures are not done, the equipment could overturn and/or become a hazard.
- Check surfacing material and replenish as necessary to maintain proper depth (see page 7).
- Rake surfacing periodically to prevent compaction and maintain appropriate depths.
- Remove any tripping hazards, such as exposed concrete footings, tree stumps, or rocks.
- Check all nuts and bolts twice monthly during the usage season for tightness and tighten as required. It is particularly important that this procedure be followed at the beginning of each season.
- Check all coverings for bolts and sharp edges twice monthly during usage season to be certain they are in place. Replace when necessary. It is especially important to do this at the beginning of each new season.
- Oil all metallic moving parts monthly during the usage period.
- Do not use the equipment when the temperature drops below 32°F (0°C).
- Sand rusted areas on tubular members and repaint using a nonlead-based paint meeting the requirements of Title 16 CFR Part 1303.
- If the warning sticker is illegible, destroyed, or removed contact the Customer Service Department at 1-800-342-3865 for a replacement.

***Disposal Instructions:*** Disassemble and dispose of the playground equipment in such a way that no unreasonable hazards will exist at the time the equipment is discarded. Follow all local disposal requirements.

## CONSUMER INFORMATION SHEET FOR PLAYGROUND SURFACING MATERIALS\*

The U.S. Consumer Product Safety Commission (CPSC) estimates that about 100,000 playground equipment related injuries resulting from falls to the ground surface are treated annually in U.S. hospital emergency rooms. Injuries involving this hazard pattern tend to be among the most serious of all playground injuries, and have the potential to be fatal, particularly when the injury is to the head. The surface under and around playground equipment can be a major factor in determining the injury causing potential of a fall. It is self evident that a fall onto a shock-absorbing surface is less likely to cause a serious injury than a fall onto a hard surface. Playground equipment should never be placed on hard surfaces such as concrete or asphalt and while grass may appear to be acceptable, it may quickly turn to hard packed earth in areas of high traffic. Shredded bark mulch, wood chips, fine sand or fine gravel are considered to be acceptable shock-absorbing surfaces when installed and maintained at a sufficient depth under and around playground equipment.

Table 1 lists the maximum height from which a child would not be expected to sustain a life-threatening head injury in a fall onto different loose-fill surfacing materials if they are

installed and maintained at depths of 6, 9, and 12 inches. However, it should be recognized that all injuries due to falls cannot be prevented no matter what surfacing material is used.

It is recommended that a shock-absorbing material should extend a minimum of 6 ft. in all directions from the perimeter of stationary equipment such as climbers and slides. However, because children may deliberately jump from a moving swing, the shock absorbing material should extend in the front and rear of a swing a minimum distance of 2 times the height of the pivot point measured from a point directly beneath the pivot on the supporting structure.

This information is intended to assist in comparing the relative shock-absorbing properties of various materials. No particular material is recommended over another. However, each material is only effective when properly maintained. Materials should be checked periodically and replenished to maintain correct depth as determined necessary for your equipment. The choice of a material depends on the type and height of the playground equipment, the availability of the material in your area, and its cost.

***\*\*The maximum fall height for this product is 32 in (81 cm).  
We recommend using 6 in (15 cm) of Double Shredded Bark Mulch.\*\****

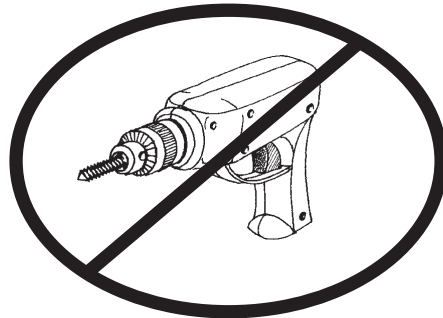
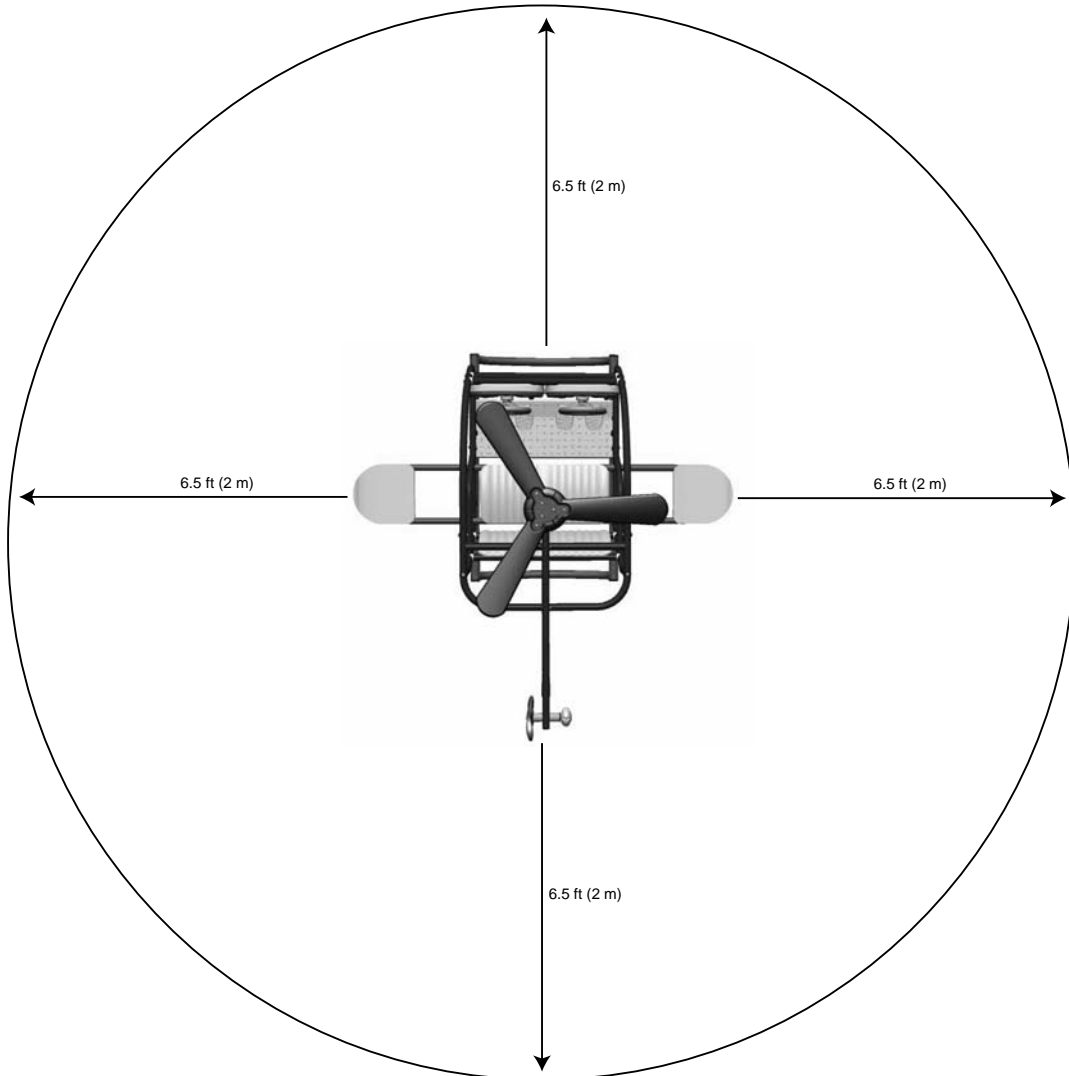
**TABLE 1 — Depth of Surfacing Material Required Based on Fall Heights**

Material / Fall Height	5 ft (152 cm)	6 ft (183 cm)	7 ft (213 cm)	9 ft (274 cm)	10 ft (305 cm)	11 ft (335 cm)	12 ft (366 cm)
Double Shredded Bark Mulch	--	6 in (15 cm)	--	--	9 in (23 cm)	12 in (30 cm)	--
Wood Chips	--	6 in (15 cm)	9 in (23 cm)	--	--	--	12 in (30 cm)
Fine Sand	6 in (15 cm)	--	9 in (23 cm)	12 in (30 cm)	--	--	--
Fine Gravel	--	6 in (15 cm)	9 in (23 cm)	--	12 in (30 cm)	--	--
Shredded Tires***	--	--	--	--	6 in (15 cm)	--	--

\*This information has been extracted from the CPSC publications "Playground Surfacing--Technical Information Guide" and "Handbook for Public Playground Safety." Copies of these reports can be obtained by sending a postcard to the: Office of Public Affairs, U.S. Consumer Product Safety Commission, Washington, D.C., 20207 or call the toll-free hotline: 1-800-638-2772.

\*\*\*This data is from tests conducted by independent testing laboratories on a 6-inch depth of uncompressed shredded tire samples produced by four manufacturers. It is recommended that persons seeking to install shredded tires as a protective surface request test data from the supplier showing the critical height of the material when it was tested in accordance with ASTM F1292.

# Safety Zone for the Helicopter



**USE AT YOUR OWN RISK!**

***USING A DRILL IS NOT RECOMMENDED  
FOR DRIVING BOLTS.***

*A cordless drill can be used for driving screws;  
however, care should be taken not to over-tighten or strip screws.*

## PARTS LIST

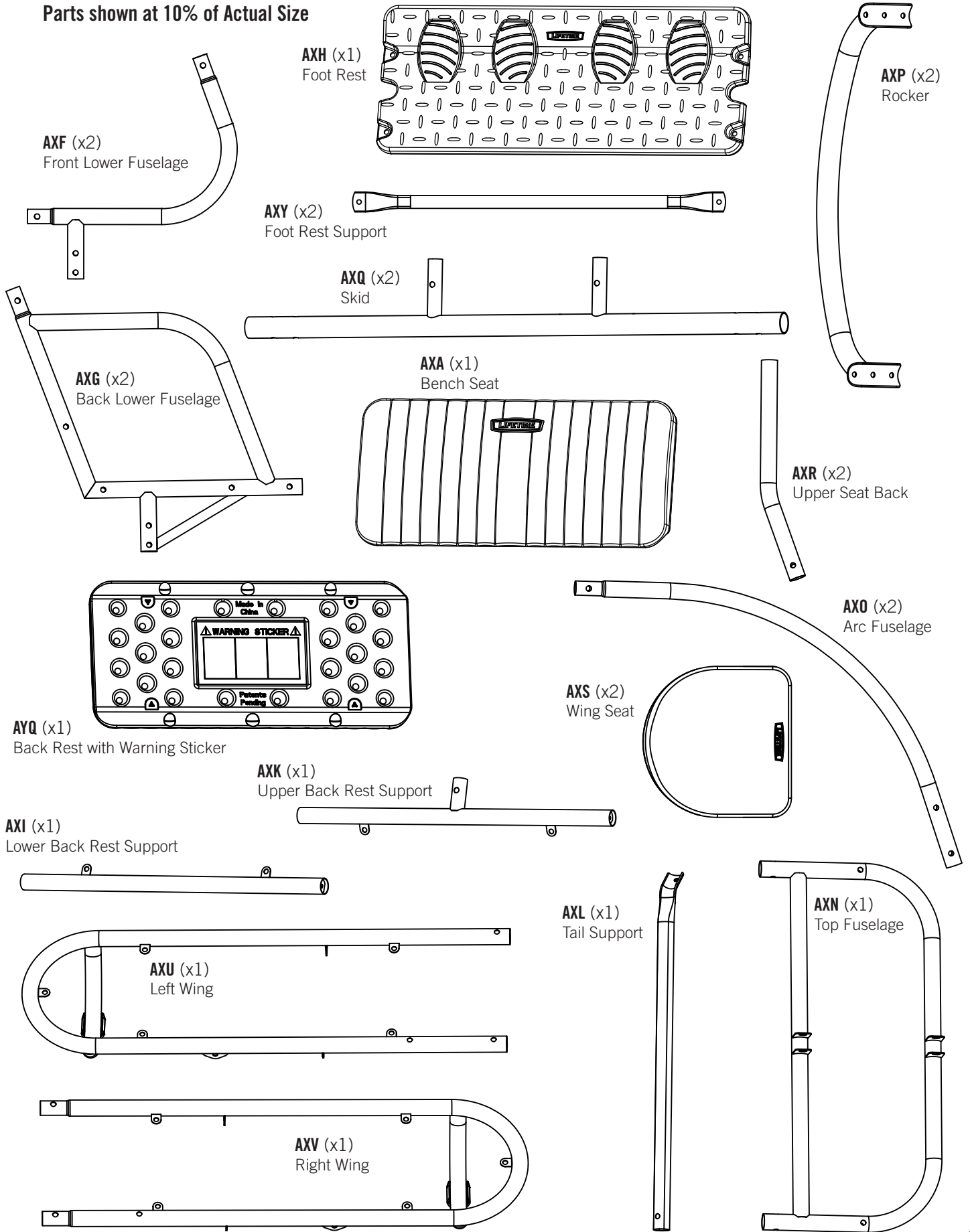
ID	Item Description	Qty	✓	ID	Item Description	Qty	✓
AXQ	Skid	2	<input type="checkbox"/>	AXD	Dashboard Mount	2	<input type="checkbox"/>
AXP	Rocker	2	<input type="checkbox"/>	AXU	Left Wing	1	<input type="checkbox"/>
AXY	Foot Rest Support	2	<input type="checkbox"/>	AXV	Right Wing	1	<input type="checkbox"/>
AXH	Foot Rest	1	<input type="checkbox"/>	AXS	Wing Seat	2	<input type="checkbox"/>
AXF	Front Lower Fuselage	2	<input type="checkbox"/>	AXT	Wing Support	1	<input type="checkbox"/>
AXG	Back Lower Fuselage	2	<input type="checkbox"/>	AXL	Tail Support	1	<input type="checkbox"/>
AXR	Upper Seat Back	2	<input type="checkbox"/>	AXM	Tail Section	1	<input type="checkbox"/>
AYS	Back Rest with Warning Sticker	1	<input type="checkbox"/>	AXJ	Tail Propeller	1	<input type="checkbox"/>
AXA	Bench Seat	1	<input type="checkbox"/>	AYA	Main Propeller Shaft	1	<input type="checkbox"/>
AXK	Upper Back Rest Support	1	<input type="checkbox"/>	AXB	Propeller Blade	3	<input type="checkbox"/>
AXI	Lower Back Rest Support	1	<input type="checkbox"/>	AXE	Dashboard Base	2	<input type="checkbox"/>
AXN	Top Fuselage	1	<input type="checkbox"/>	AXC	Dashboard	2	<input type="checkbox"/>
AXO	Arc Fuselage	2	<input type="checkbox"/>	AXW	Steering Wheel	2	<input type="checkbox"/>

## HARDWARE LIST

ID	Item Description	Qty	✓	ID	Item Description	Qty	✓
<b>Base Assembly Hardware (1046727)</b>				<b>Tail Assembly Hardware (1047243)</b>			
AYQ	1/4"-20 x 1 5/8" Long Bolt	8	<input type="checkbox"/>	ATF	1/4"-20 x 1.15" Long Bolt	3	<input type="checkbox"/>
AWP	Washer	17	<input type="checkbox"/>	AWR	#14 x 1 1/4" Screw	1	<input type="checkbox"/>
AWQ	5/16" Barrel Nut	10	<input type="checkbox"/>	AWP	Washer	18	<input type="checkbox"/>
AWR	#14 x 1 1/4" Screw	4	<input type="checkbox"/>	AWU	5/16" x 3/4" Button Head Bolt	8	<input type="checkbox"/>
AYD	Base Cap	4	<input type="checkbox"/>	AWV	5/16" Nylock Nut	6	<input type="checkbox"/>
ASN	3/16" Allen Wrench	2	<input type="checkbox"/>	AWW	#10-24 x 2.40" Phillips Pan Head Bolt	2	<input type="checkbox"/>
<b>Fuselage Assembly Hardware (1046728)</b>				<b>Dashboard Assembly Hardware (1047643)</b>			
AWQ	5/16" Barrel Nut	8	<input type="checkbox"/>	AWX	#10-24 Nylock Nut	2	<input type="checkbox"/>
AWP	Washer	18	<input type="checkbox"/>	AWY	Bushing	2	<input type="checkbox"/>
ATF	1/4"-20 x 1.15" Long Bolt	10	<input type="checkbox"/>	AWZ	Clicker	2	<input type="checkbox"/>
AWS	1 1/4" Coped Cap	10	<input type="checkbox"/>	AWQ	5/16" Barrel Nut	3	<input type="checkbox"/>
ATG	Plastic Attachment Screw	4	<input type="checkbox"/>	AXZ	Tail Propeller Shaft	1	<input type="checkbox"/>
AWT	5/16" x 2" Button Head Bolt	10	<input type="checkbox"/>	AYB	Propeller Handle	4	<input type="checkbox"/>
<b>Wing Assembly Hardware (1046729)</b>				<b>ATJ #14 x 2" Screw</b>			
AWQ	5/16" Barrel Nut	6	<input type="checkbox"/>	AYE	5/16" x 1 1/4" Bolt	2	<input type="checkbox"/>
AWP	Washer	12	<input type="checkbox"/>	AWP	Washer	6	<input type="checkbox"/>
ATF	1/4"-20 x 1.15" Long Bolt	6	<input type="checkbox"/>	AWZ	Clicker	2	<input type="checkbox"/>
ATG	Plastic Attachment Screw	10	<input type="checkbox"/>	AWY	Bushing	4	<input type="checkbox"/>
AWU	5/16" x 3/4" Button Head Bolt	2	<input type="checkbox"/>	ATK	Formed Washer	2	<input type="checkbox"/>
AWV	5/16" Nylock Nut	2	<input type="checkbox"/>	AYR	#8 x 1" Screw	8	<input type="checkbox"/>
AWT	5/16" x 2" Button Head Bolt	2	<input type="checkbox"/>	AYC	Steering Wheel Shaft	2	<input type="checkbox"/>
AWS	1 1/4" Coped Cap	2	<input type="checkbox"/>	BAJ	M6 x 45 Bolt	4	<input type="checkbox"/>
BAI	Lock Washer	2	<input type="checkbox"/>	BAK	M6 Nut	4	<input type="checkbox"/>

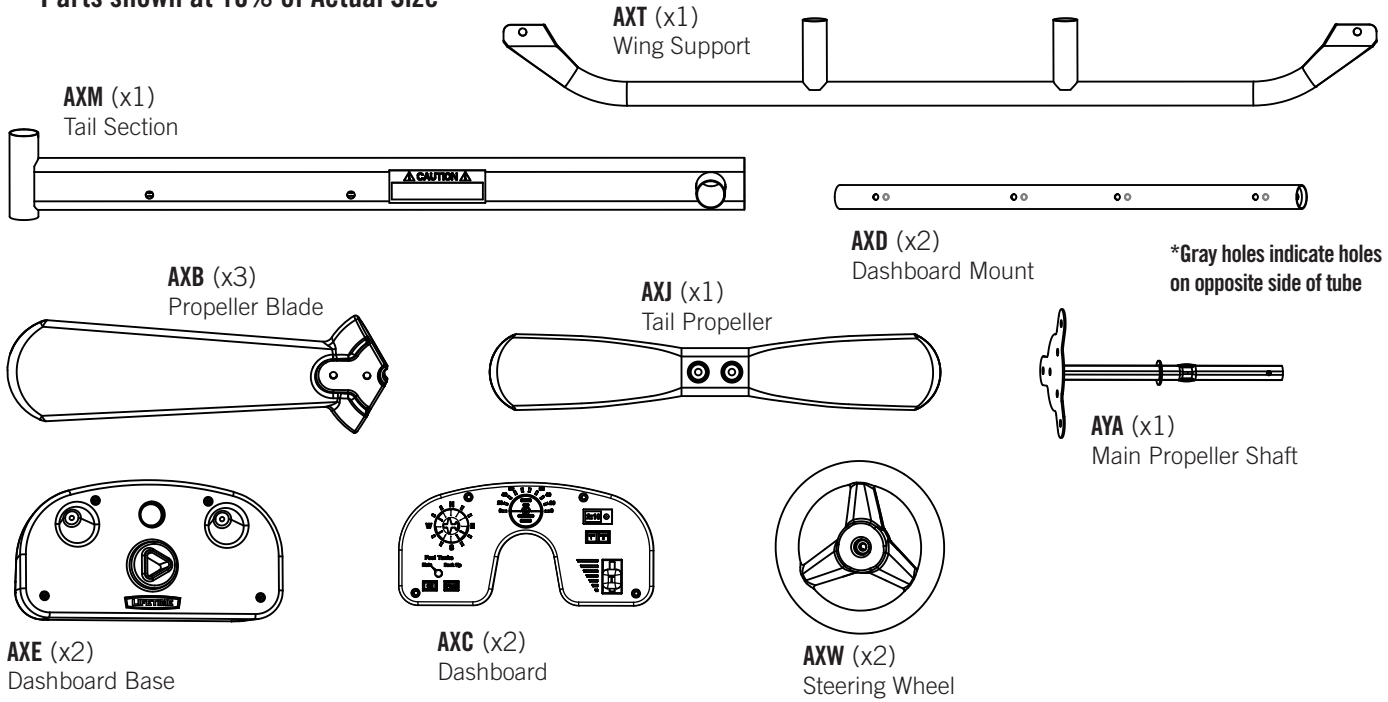
# PARTS IDENTIFIER

Parts shown at 10% of Actual Size



# PARTS IDENTIFIER

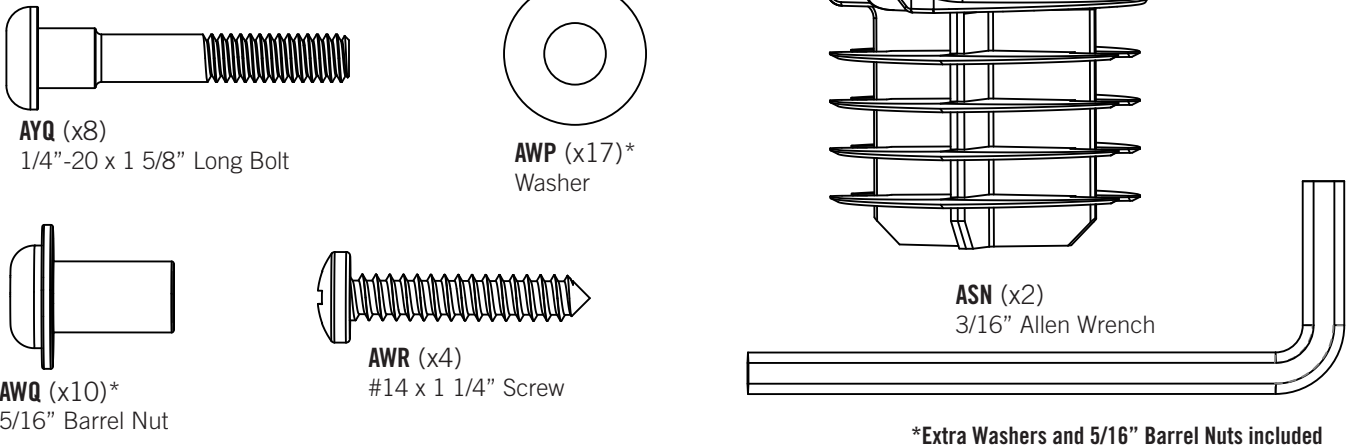
Parts shown at 10% of Actual Size



# HARDWARE IDENTIFIER

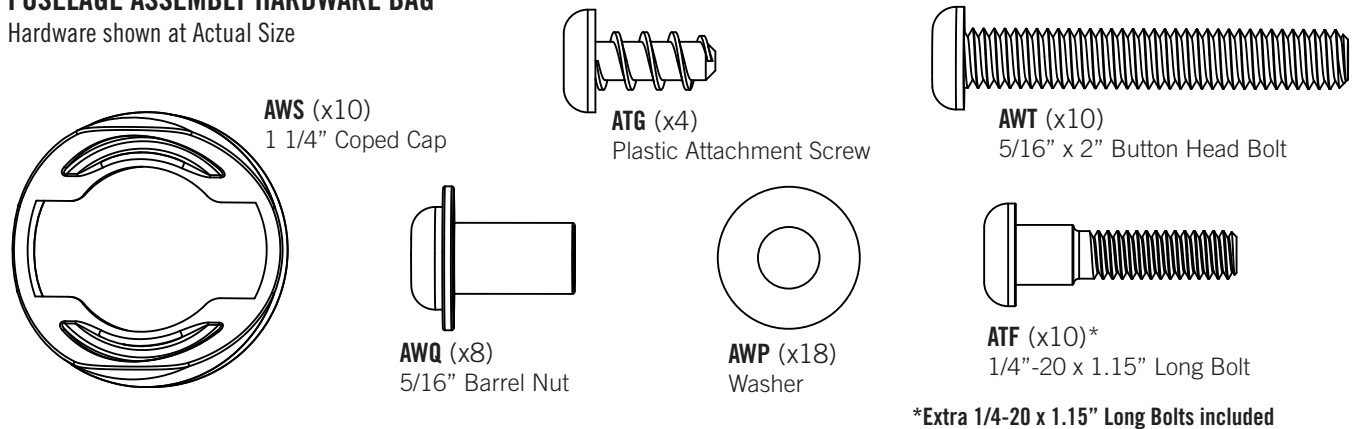
## BASE ASSEMBLY HARDWARE BAG

Hardware shown at Actual Size



## FUSELAGE ASSEMBLY HARDWARE BAG

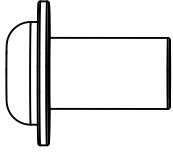
Hardware shown at Actual Size



# HARDWARE IDENTIFIER

## WING ASSEMBLY HARDWARE BAG

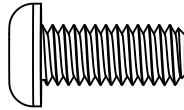
Hardware shown at Actual Size



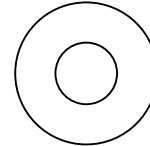
**AWQ (x6)**  
5/16" Barrel Nut



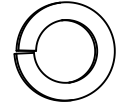
**AWV (x2)**  
5/16" Nylock Nut



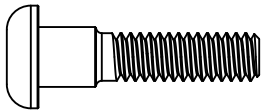
**AWU (x2)**  
5/16" x 3/4" Button Head Bolt



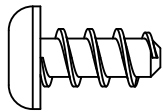
**AWP (x12)**  
Washer



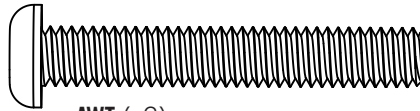
**BAI (x2)**  
Lock Washer



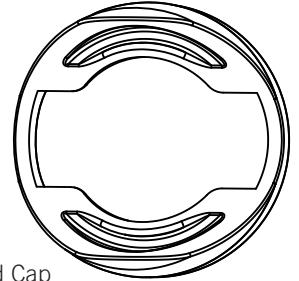
**ATF (x6)**  
1/4"-20 x 1.15" Long Bolt



**ATG (x10)**  
Plastic Attachment Screw



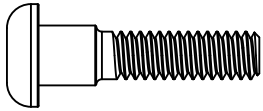
**AWT (x2)**  
5/16" x 2" Button Head Bolt



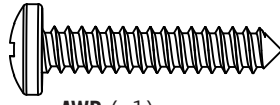
**AWS (x2)**  
1 1/4" Coped Cap

## TAIL ASSEMBLY HARDWARE BAG

Hardware shown at Actual Size

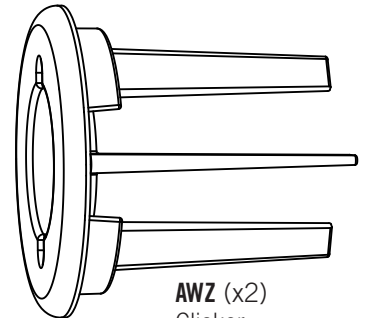
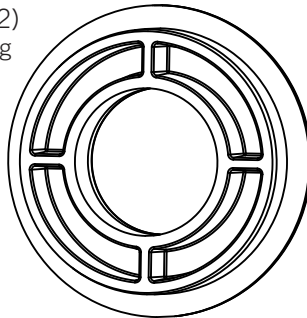


**ATF (x3)**  
1/4"-20 x 1.15" Long Bolt

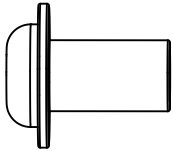


**AWR (x1)**  
#14 x 1 1/4" Screw

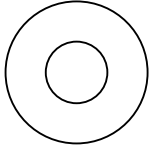
**AWY (x2)**  
Bushing



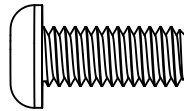
**AWZ (x2)**  
Clicker



**AWQ (x3)**  
5/16" Barrel Nut



**AWP (x18)**  
Washer



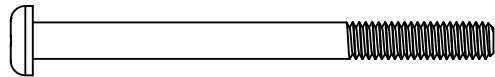
**AWU (x8)**  
5/16" x 3/4" Button Head Bolt



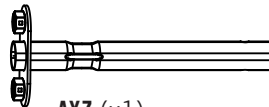
**AWV (x6)**  
5/16" Nylock Nut



**AWX (x2)**  
#10-24 Nylock Nut



**AWW (x2)**  
#10-24 x 2.40" Phillips Pan Head Bolt



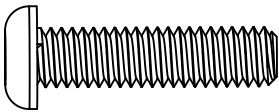
**AXZ (x1)**  
Tail Propeller Shaft  
(20% of Actual Size)



**AYB (x4)**  
Propeller Handle  
(20% of Actual Size)

## DASH ASSEMBLY HARDWARE BAG

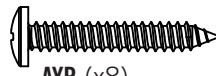
Hardware shown at Actual Size



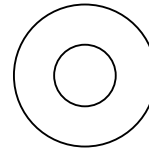
**AYE (x2)**  
5/16" x 1 1/4" Bolt



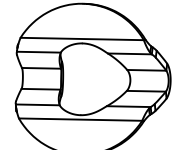
**ATJ (x4)**  
#14 x 2" Screw



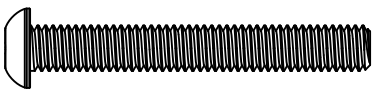
**AYR (x8)**  
#8 x 1" Screw



**AWP (x6)**  
Washer



**ATK (x2)**  
Formed Washer

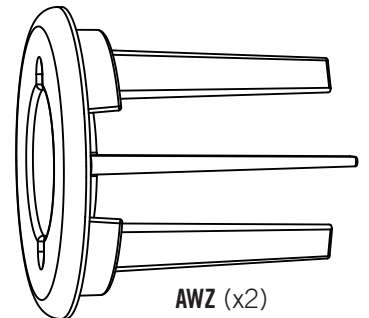
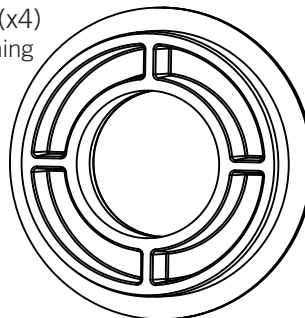


**BAJ (x4)**  
M6 x 45 Bolt

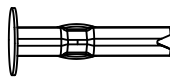


**BAK (x4)**  
M6 Nut

**AWY (x4)**  
Bushing



**AWZ (x2)**  
Clicker



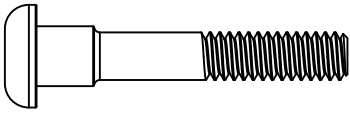
**AYC (x2)**  
Steering Wheel Shaft  
(20% of Actual Size)

# SEC 1 BASE ASSEMBLY

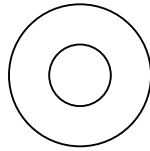
1.

## HARDWARE REQUIRED

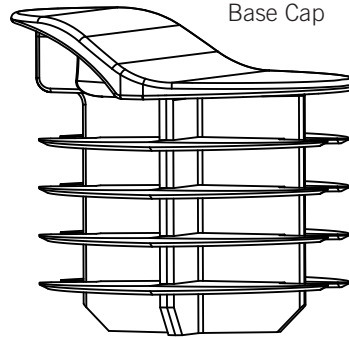
Hardware shown at Actual Size



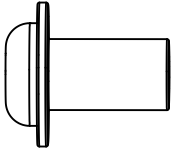
**AYQ (x8)**  
1/4"-20 x 1 5/8" Long Bolt



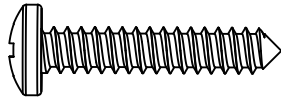
**AWP (x12)**  
Washer



**AYD (x4)**  
Base Cap



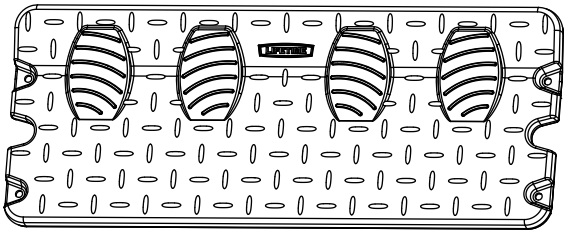
**AWQ (x8)**  
5/16" Barrel Nut



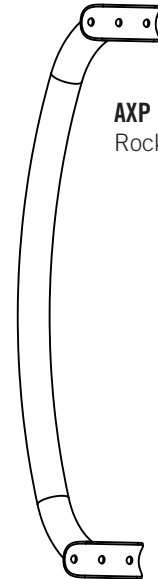
**AWR (x4)**  
#14 x 1 1/4" Screw

## PARTS REQUIRED

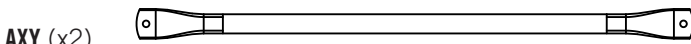
Parts shown at 10% of Actual Size



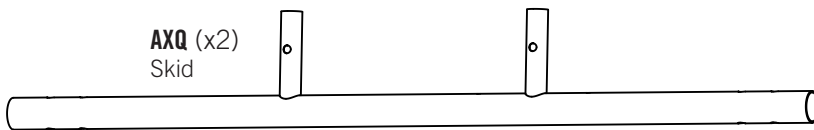
**AXH (x1)**  
Foot Rest



**AXP (x2)**  
Rocker

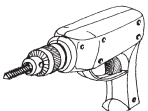


**AXY (x2)**  
Foot Rest Support

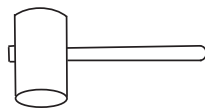


**AXQ (x2)**  
Skid

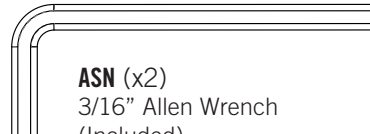
## TOOLS USED



Power Drill



Rubber Mallet



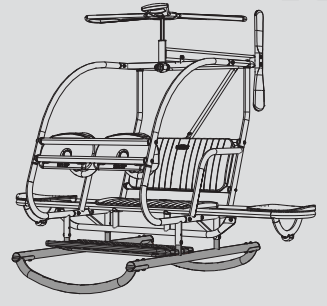
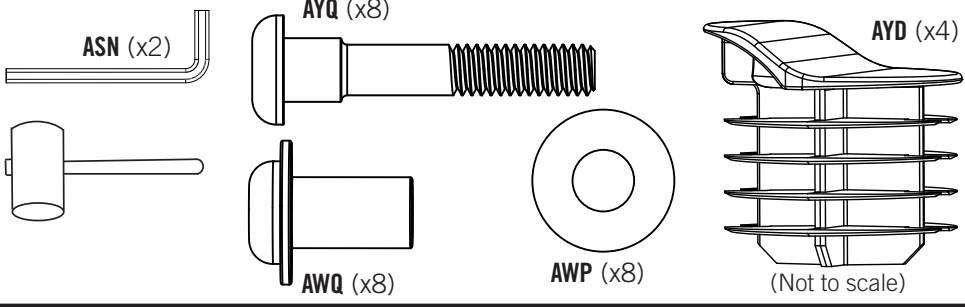
**ASN (x2)**  
3/16" Allen Wrench  
(Included)

1.



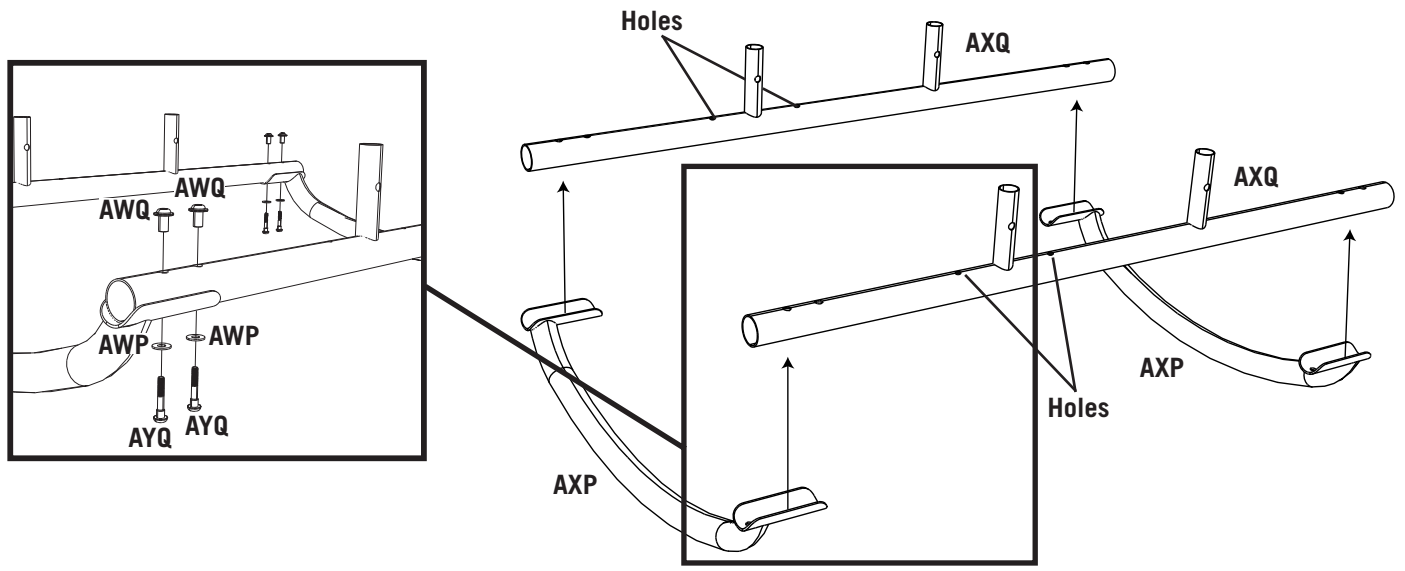
### TOOLS AND HARDWARE REQUIRED FOR THIS PAGE

SEC 1



SEC 1.1

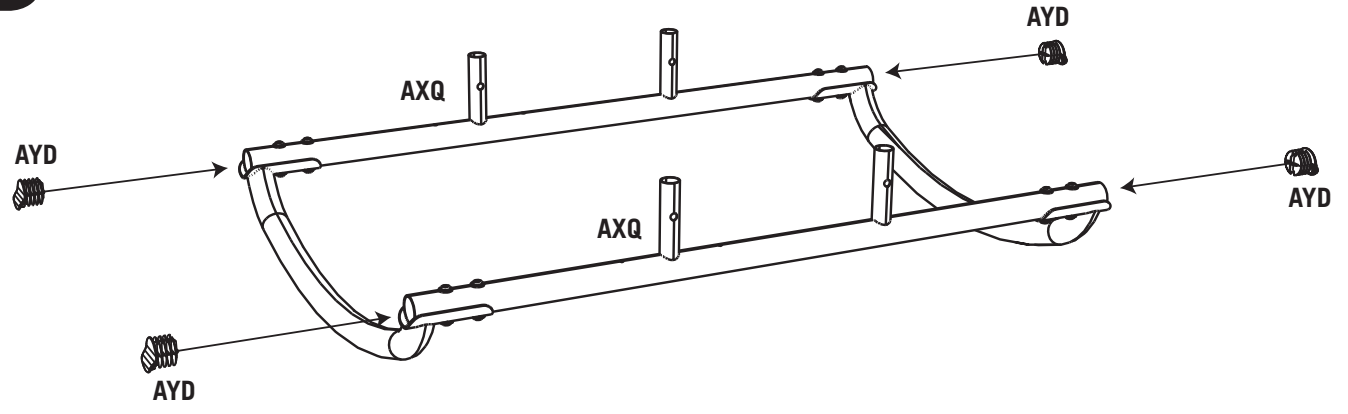
Attach the **Skids (AXQ)** to the **Rockers (AXP)** with the hardware shown. Make sure the holes on the skids are parallel to each other as illustrated.



**!** Note: Do not tighten the hardware in this step until instructed.

SEC 1.2

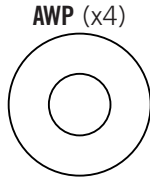
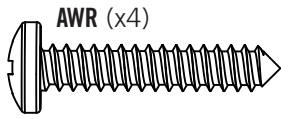
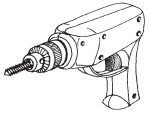
Place four **Base Caps (AYD)** into the ends of the **Skids (AXQ)** as shown.



**!** Note: Make sure the lips of the Base Caps face down so that they cover the Skids.

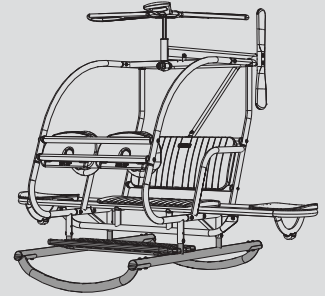


## TOOLS AND HARDWARE REQUIRED FOR THIS PAGE



SEC 1

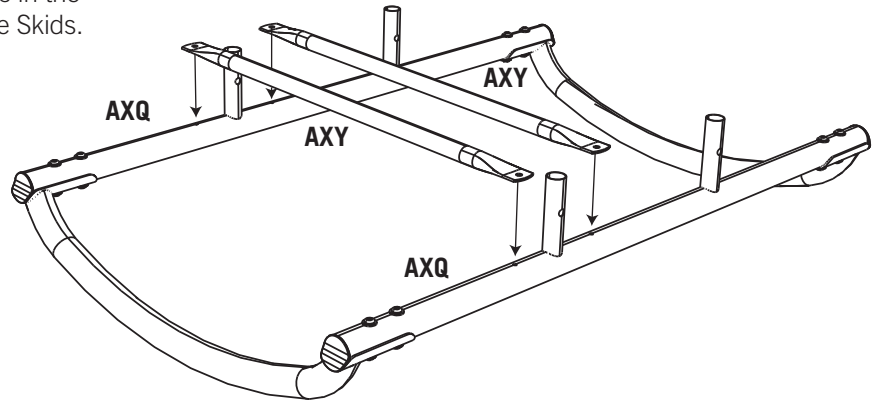
1.



SEC

1.3

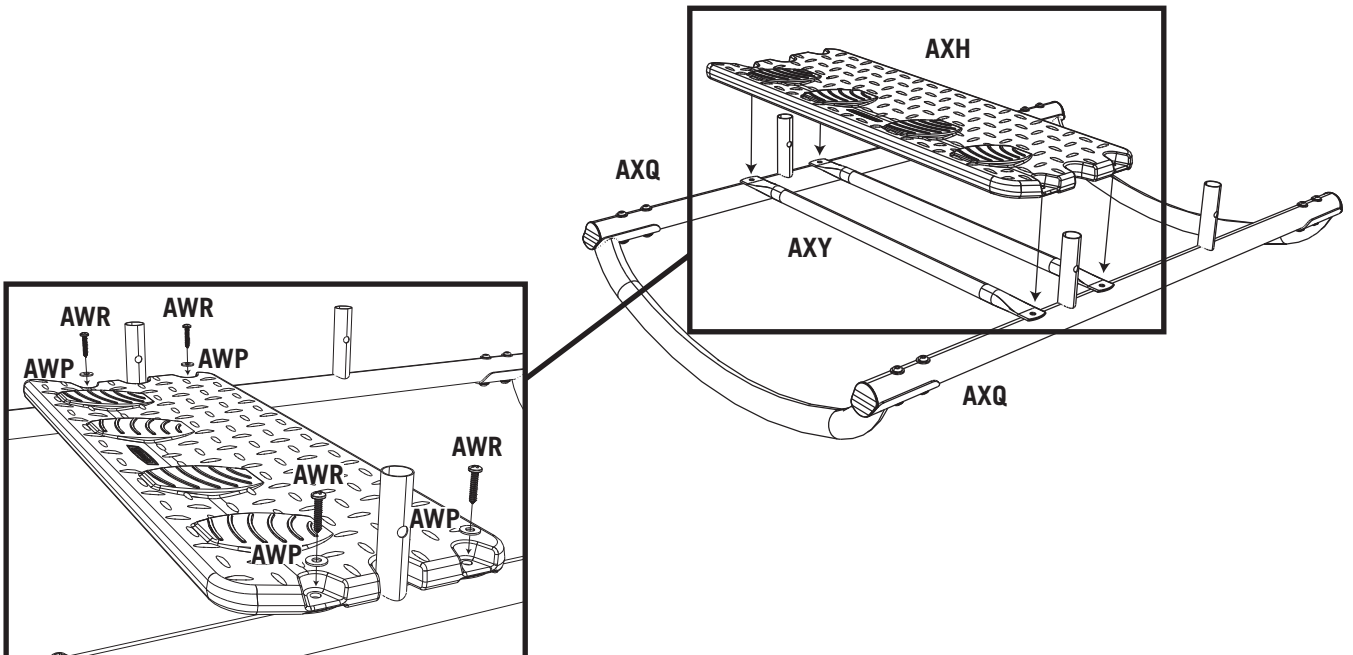
Position the **Foot Rest Supports (AXY)** on top of the **Skids (AXQ)** as shown, and align the holes in the Foot Rest Supports with the holes in the Skids.



SEC

1.4

Place the **Foot Rest (AXH)** on top of the **Foot Rest Supports (AXY)** as shown. With the holes aligned, attach the Foot Rest and the Foot Rest Supports to the **Skids (AXQ)** with the hardware shown.

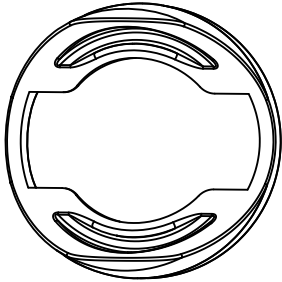


*Note: Make sure all of the Screws fit before tightening. Securely tighten all Base Assembly hardware before moving to the next section.*

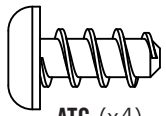
## SEC 2 FUSELAGE ASSEMBLY

### HARDWARE REQUIRED

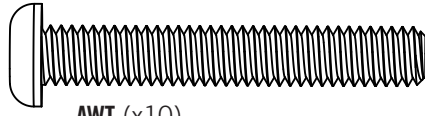
Hardware shown at Actual Size



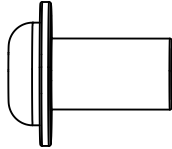
**AWS (x10)**  
1 1/4" Coped Cap



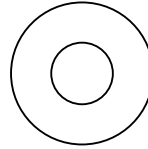
**ATG (x4)**  
Plastic Attachment Screw



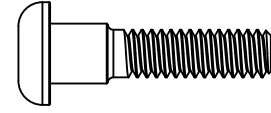
**AWT (x10)**  
5/16" x 2" Button Head Bolt



**AWQ (x8)**  
5/16" Barrel Nut



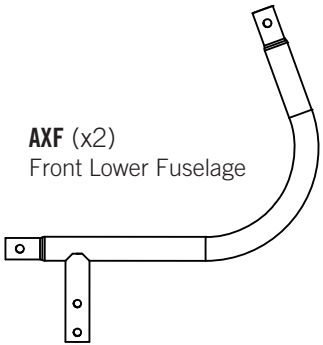
**AWP (x18)**  
Washer



**ATF (x8)**  
1/4"-20 x 1.15" Long Bolt

### PARTS REQUIRED

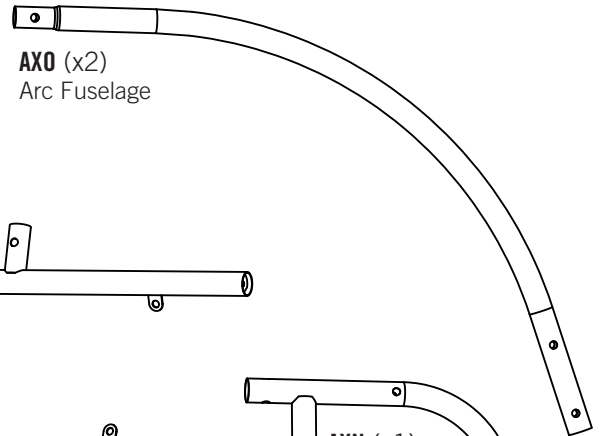
Parts shown at 10% of Actual Size



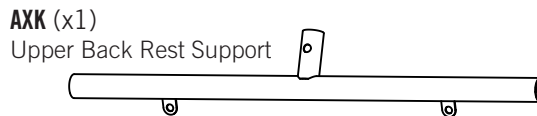
**AXF (x2)**  
Front Lower Fuselage



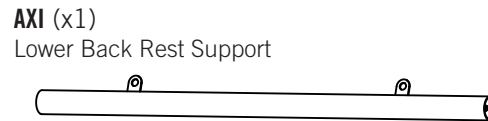
**AXR (x2)**  
Upper Seat Back



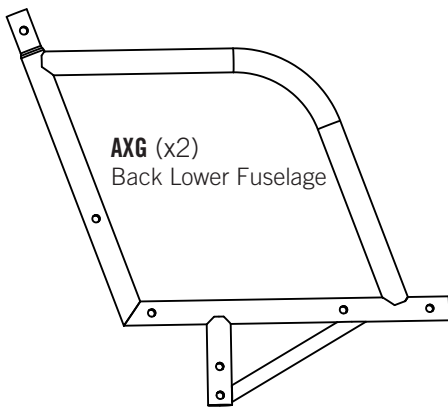
**AXO (x2)**  
Arc Fuselage



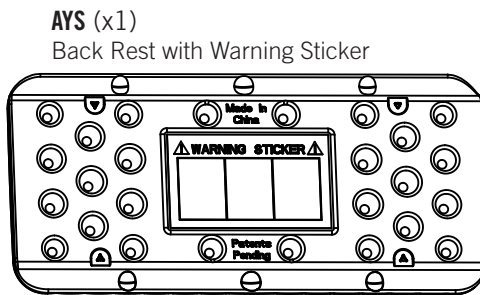
**AXK (x1)**  
Upper Back Rest Support



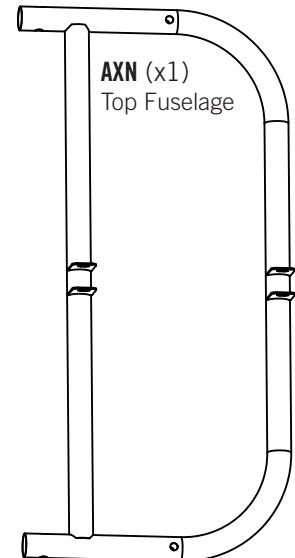
**AXI (x1)**  
Lower Back Rest Support



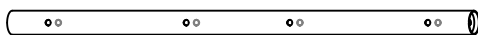
**AXG (x2)**  
Back Lower Fuselage



**AYS (x1)**  
Back Rest with Warning Sticker



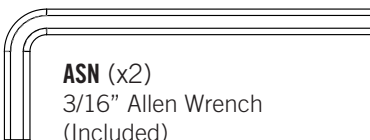
**AXN (x1)**  
Top Fuselage



**AXD (x2)**  
Dashboard Mount

\*Gray holes indicate holes on opposite side of tube

### TOOLS USED

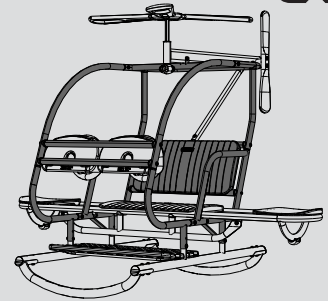
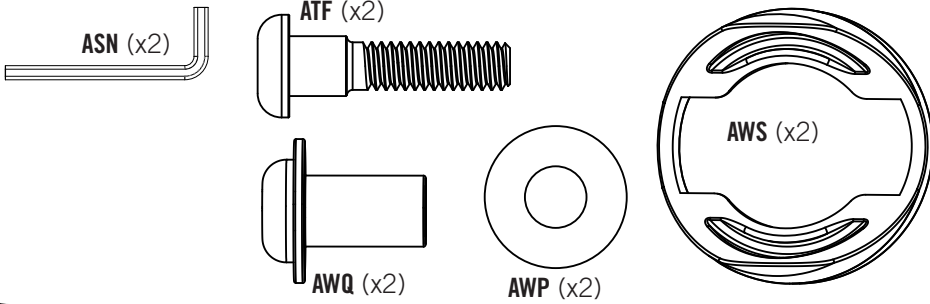


**ASN (x2)**  
3/16" Allen Wrench  
(Included)



## TOOLS AND HARDWARE REQUIRED FOR THIS PAGE

SEC 2

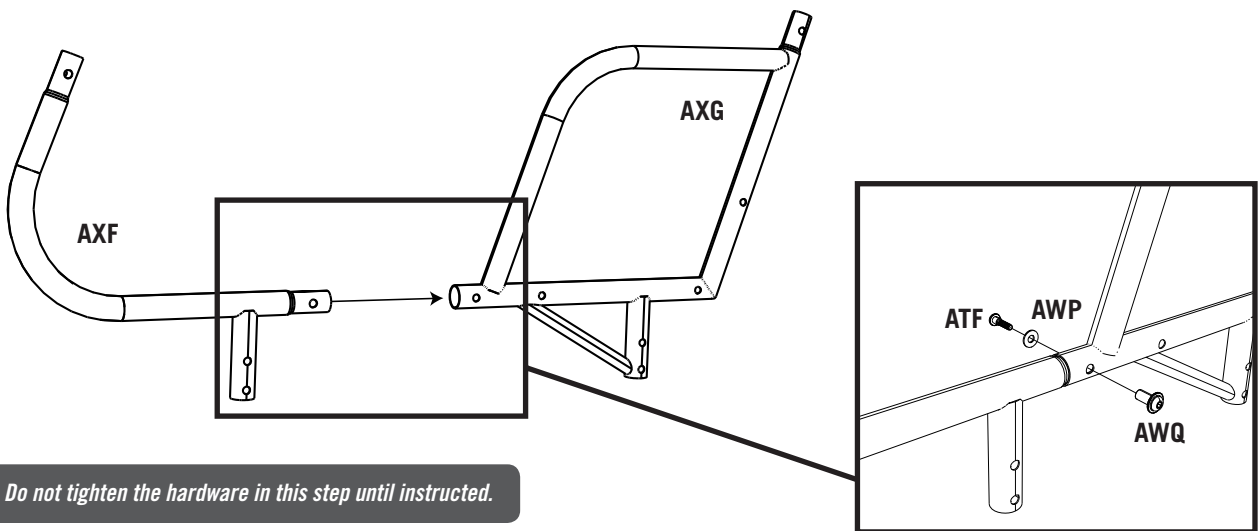


2.

SEC

2.1

Attach the **Front Lower Fuselage (AXF)** to the **Back Lower Fuselage (AXG)** with the hardware shown.

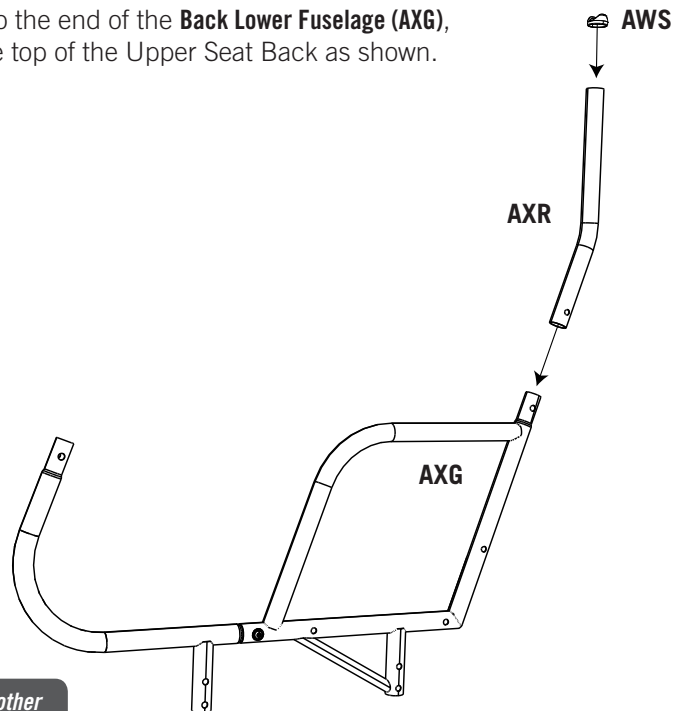


*Note: Do not tighten the hardware in this step until instructed.*

SEC

2.2

Place the **Upper Seat Back (AXR)** onto the end of the **Back Lower Fuselage (AXG)**, and attach a **Coped Cap (AWS)** to the top of the Upper Seat Back as shown.



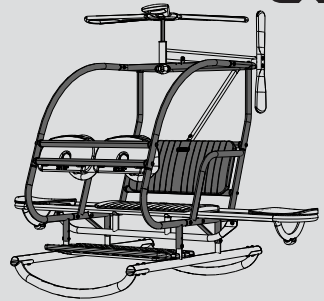
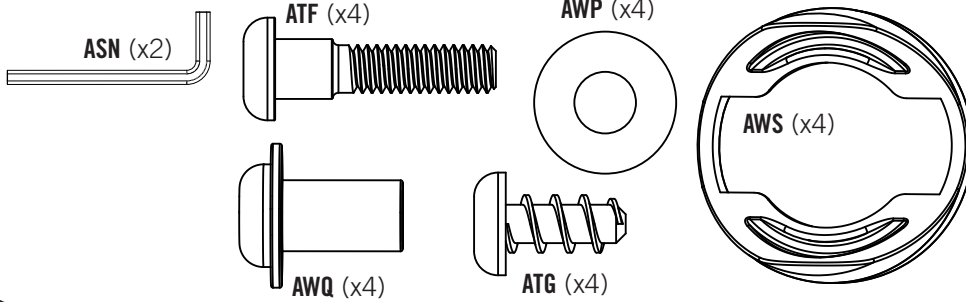
*Note: Repeat steps 2.1 and 2.2 to assemble the other side of the Helicopter.*



## TOOLS AND HARDWARE REQUIRED FOR THIS PAGE

SEC 2

2.



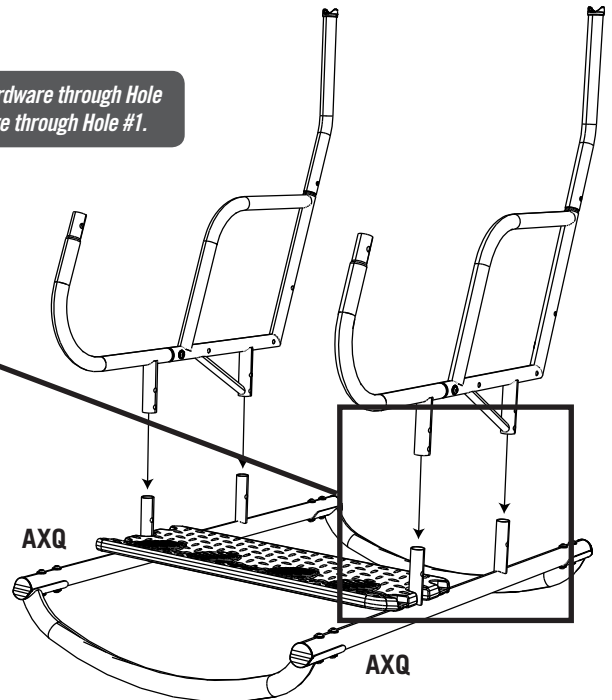
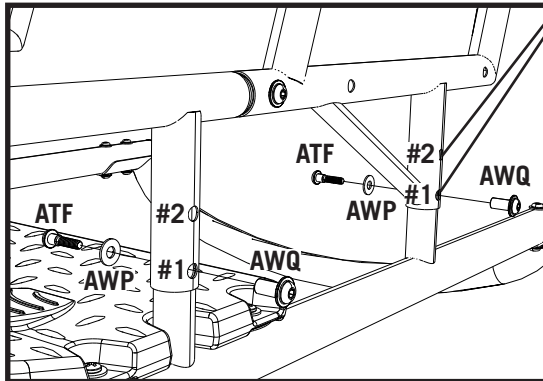
SEC

2.3

Attach the Side Fuselages assembled in Sec 2.1 and 2.2 to the **Skids (AXQ)** with the hardware shown.



*Note: For younger children, insert the hardware through Hole #2. For older children, place the hardware through Hole #1.*

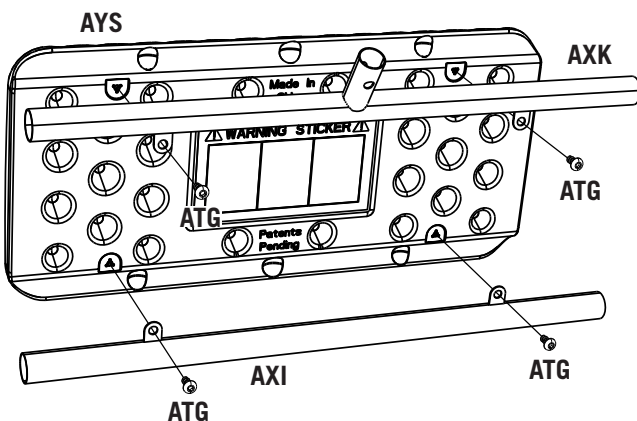


*Note: Do not tighten the hardware in this step until instructed.*

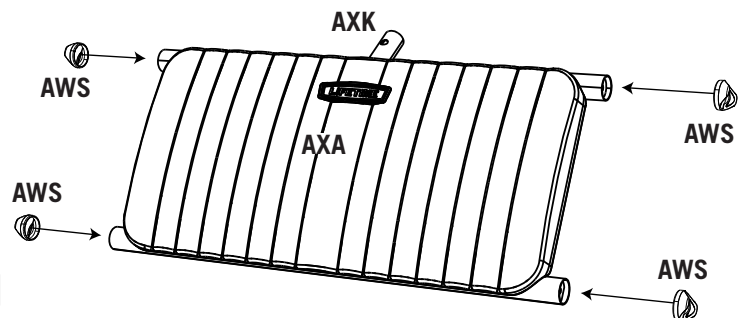
SEC

2.4

Secure the **Back Rest with Warning Sticker (AYS)** to the **Upper Back Rest Support (AXK)** and the **Lower Back Rest Support (AXI)** with the hardware shown. Also place four **Coped Caps (AWS)** on the ends of the Back Rest Supports as shown.



*Note: Make sure that the Warning Sticker on the back of the Back Rest is oriented in the right direction.*

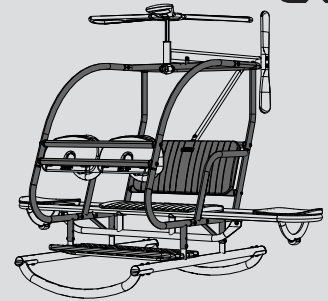
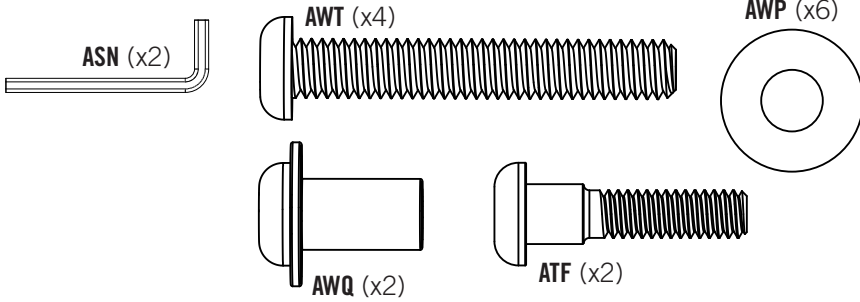


*Note: Do not tighten the hardware in this step until instructed.*



## TOOLS AND HARDWARE REQUIRED FOR THIS PAGE

SEC 2

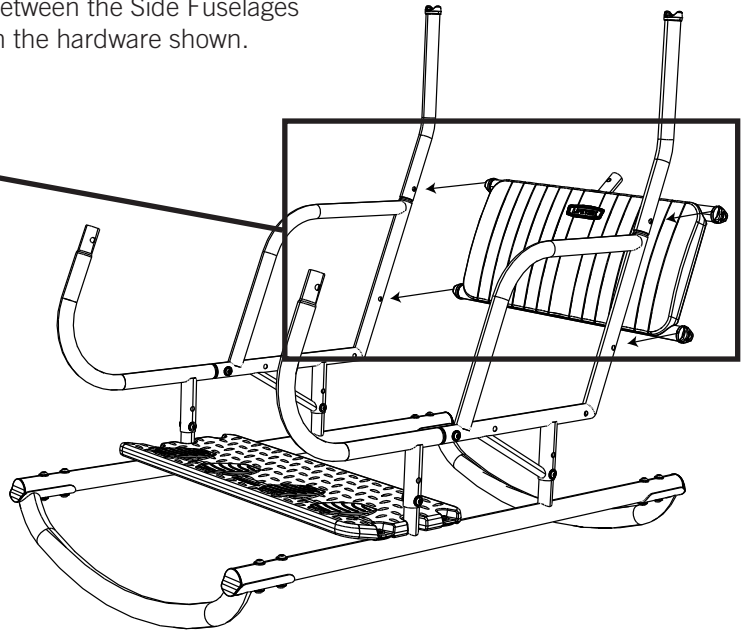
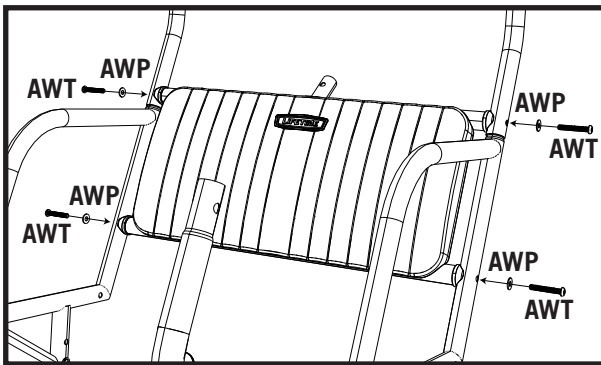


2.

SEC

2.5

Position the Back Rest assembled in Sec 2.4 in between the Side Fuselages as shown, and attach it to the Side Fuselages with the hardware shown.

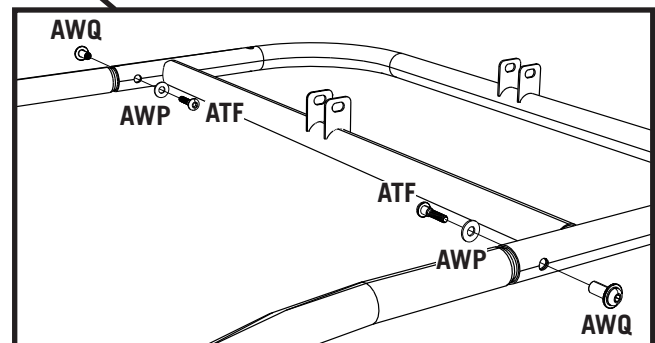
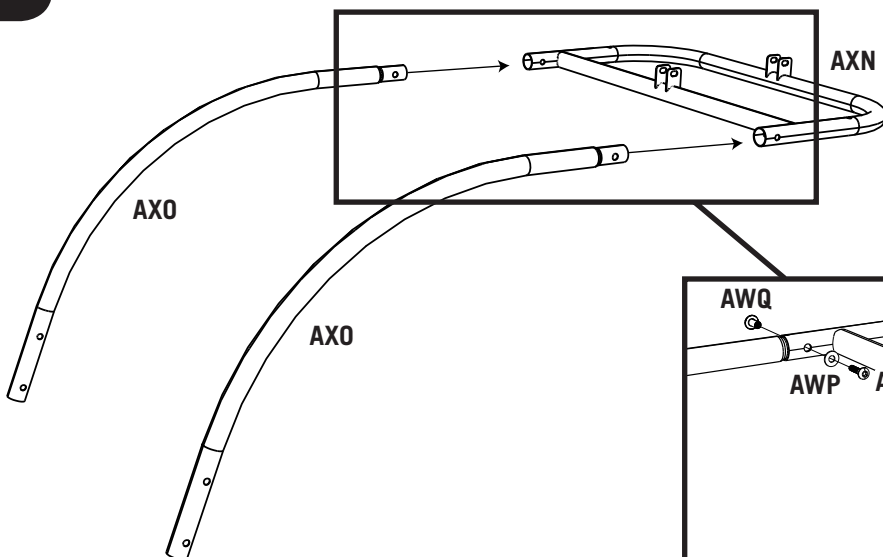


*Note: Do not tighten the hardware in this step until instructed.*

SEC

2.6

Attach the two Arc Fuselages (AXO) to the Top Fuselage (AXN) with the hardware shown.



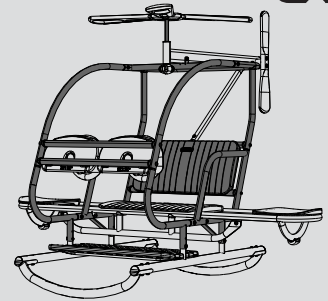
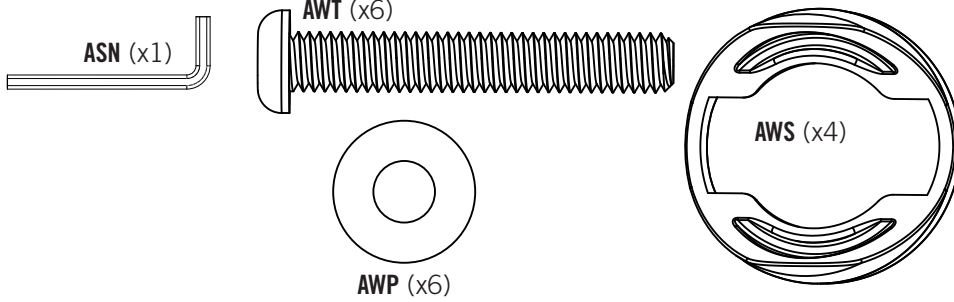
*Note: Do not tighten the hardware in this step until instructed.*



## TOOLS AND HARDWARE REQUIRED FOR THIS PAGE

SEC 2

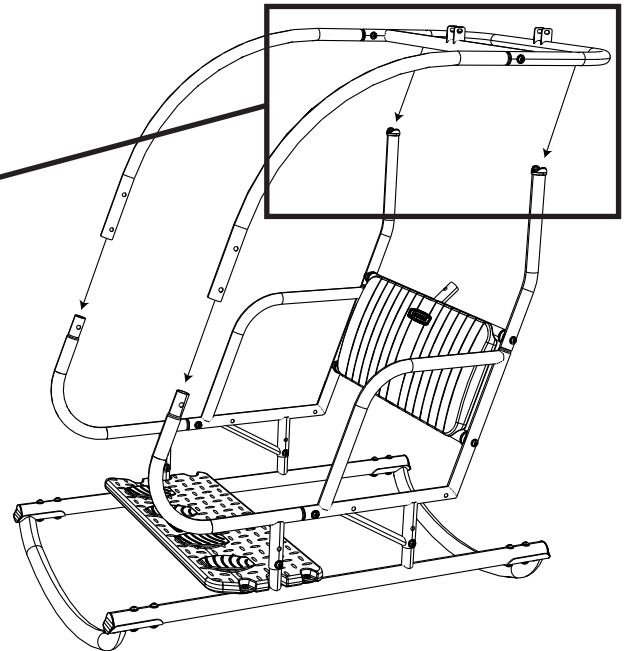
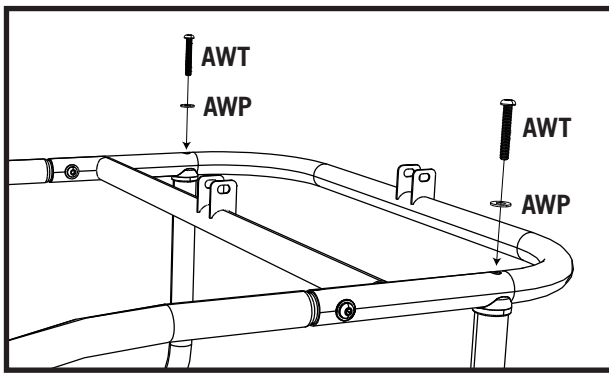
2.



SEC

2.7

Attach the Top Fuselage assembled in Sec 2.6 to the Side Fuselages with the hardware shown.

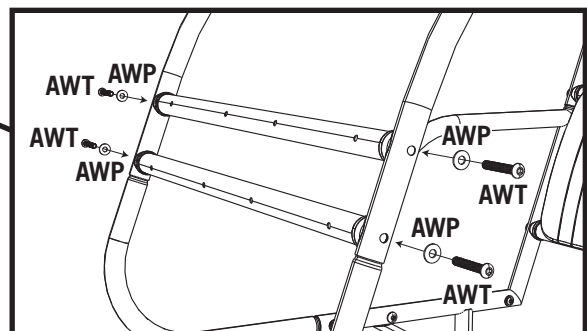
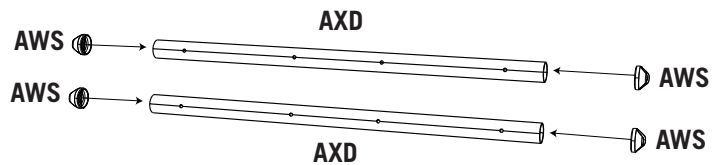
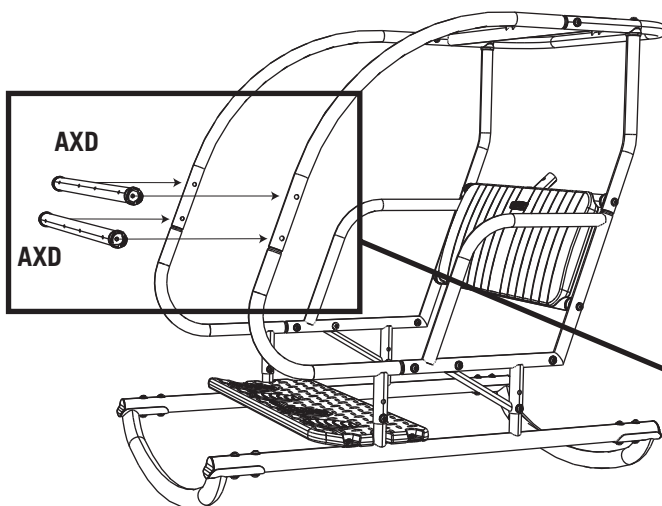


Note: Do not tighten the hardware in this step until instructed.

SEC

2.8

Place four **Coped Caps (AWS)** on the ends of the **Dashboard Mounts (AXD)** as shown. Position the Dashboard Mounts in between the Side Fuselages as shown, and attach them to the Side Fuselages with the hardware shown.

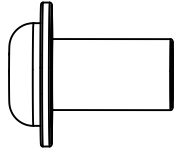


Note: Do not tighten the hardware in this step until instructed.

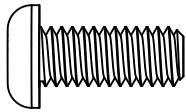
# SEC 3 WING ASSEMBLY

## HARDWARE REQUIRED

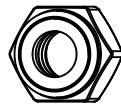
Hardware shown at Actual Size



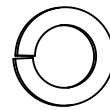
**AWQ** (x6)  
5/16" Barrel Nut



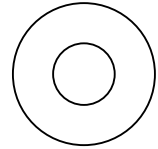
**AWU** (x2)  
5/16" x 3/4" Button Head Bolt



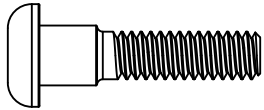
**AWV** (x2)  
5/16" Nylock Nut



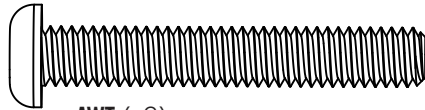
**BAI** (x2)  
Lock Washer



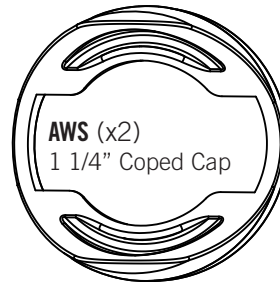
**AWP** (x12)  
Washer



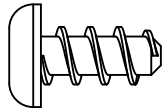
**ATF** (x6)  
1/4"-20 x 1.15" Long Bolt



**AWT** (x2)  
5/16" x 2" Button Head Bolt



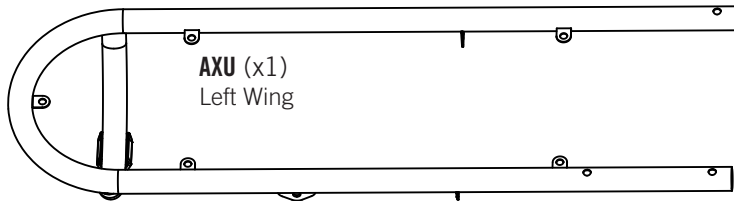
**AWS** (x2)  
1 1/4" Coped Cap



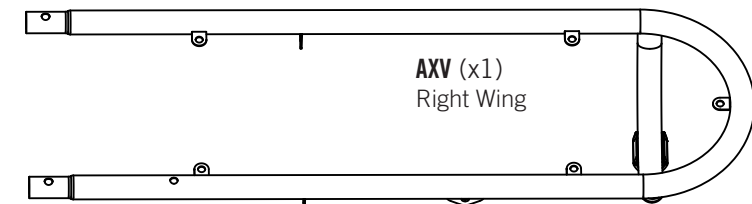
**ATG** (x10)  
Plastic Attachment Screw

## PARTS REQUIRED

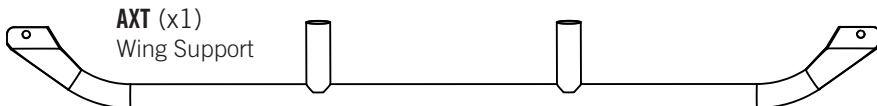
Parts shown at 10% of Actual Size



**AXU** (x1)  
Left Wing

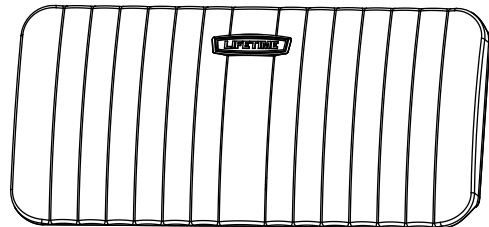


**AXV** (x1)  
Right Wing

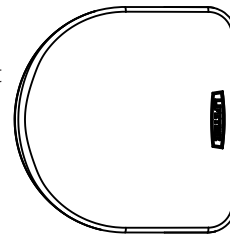


**AXT** (x1)  
Wing Support

**AXA** (x1)  
Bench Seat



**AXS** (x2)  
Wing Seat



## TOOLS USED (NOT INCLUDED)

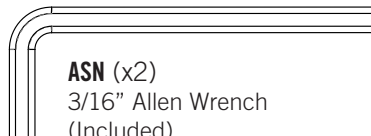


Adjustable  
Wrench

or



1/2" Wrench

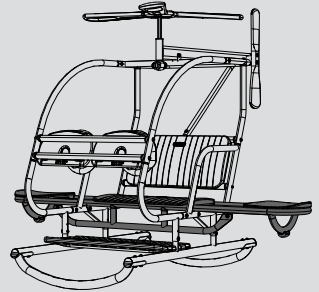
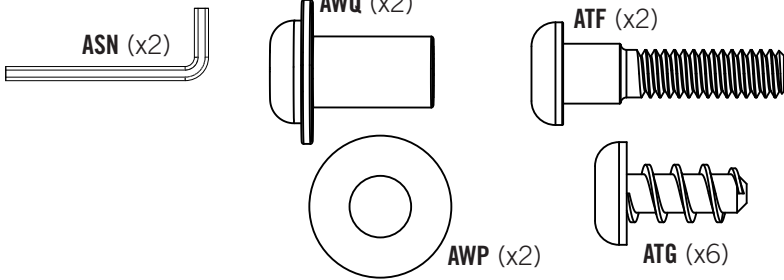


**ASN** (x2)  
3/16" Allen Wrench  
(Included)



# TOOLS AND HARDWARE REQUIRED FOR THIS PAGE

SEC 3

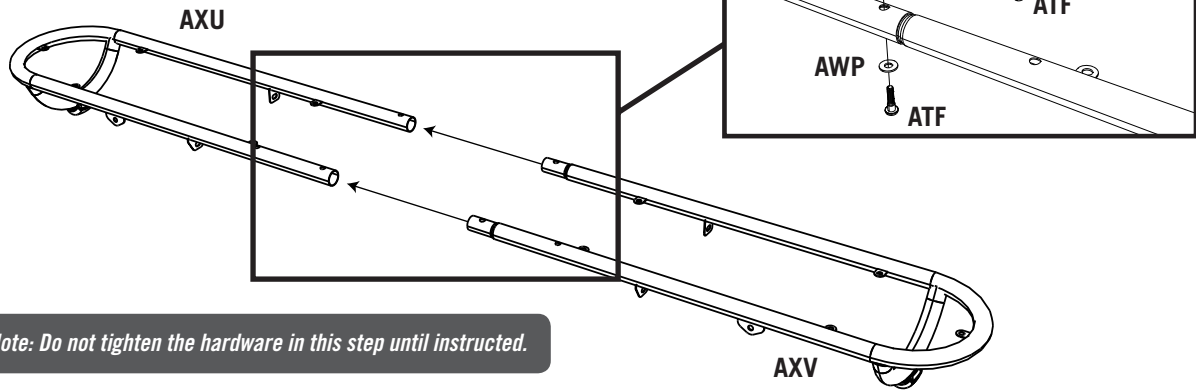


3.

## SEC

### 3.1

Attach the **Left Wing (AXU)** to the **Right Wing (AXV)** with the hardware shown.

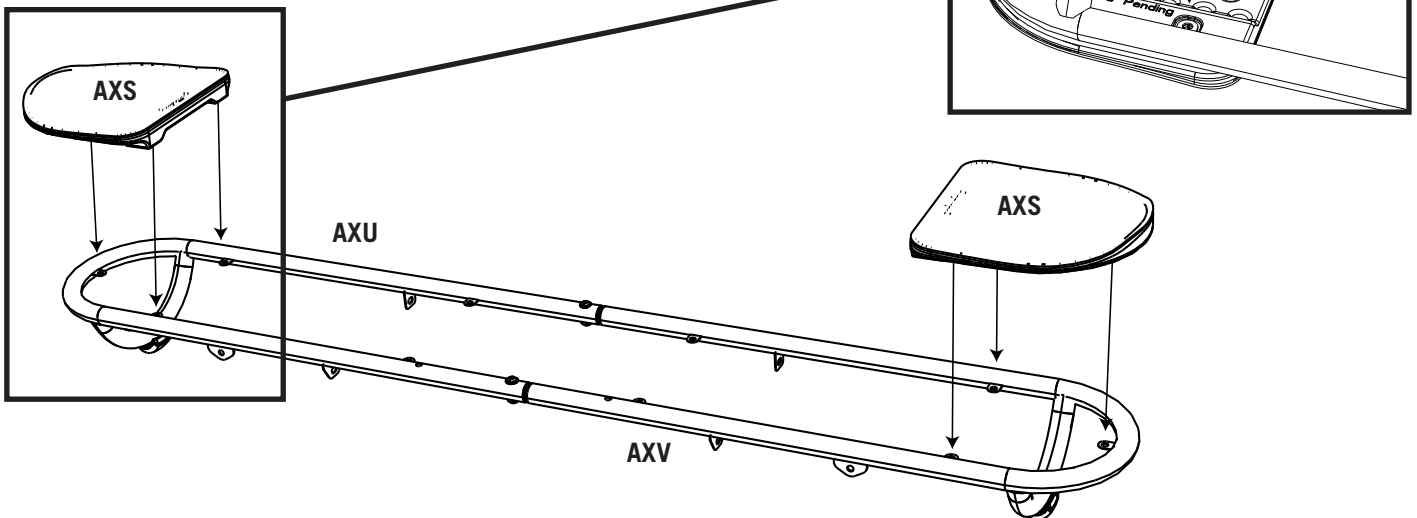


*Note: Do not tighten the hardware in this step until instructed.*

## SEC

### 3.2

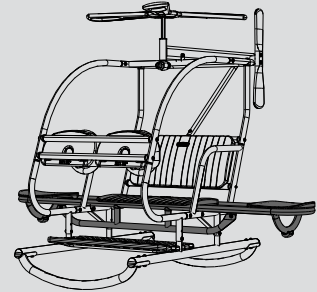
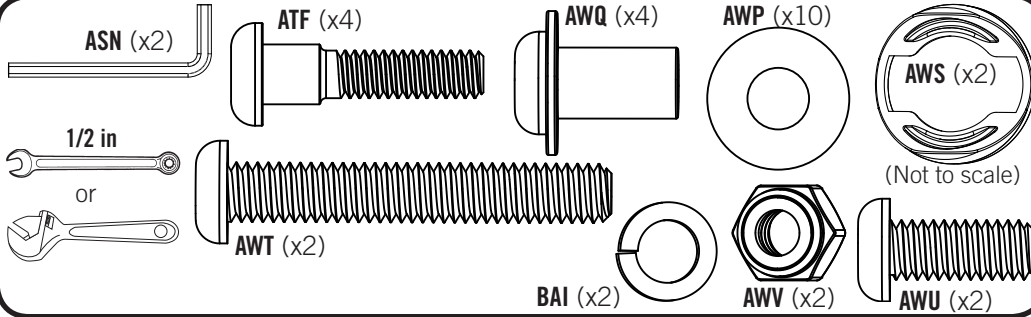
Secure the **Wing Seats (AXS)** to the ends of the **Left and Right Wings (AXU, AXV)** with the hardware shown.





## TOOLS AND HARDWARE REQUIRED FOR THIS PAGE

SEC 3

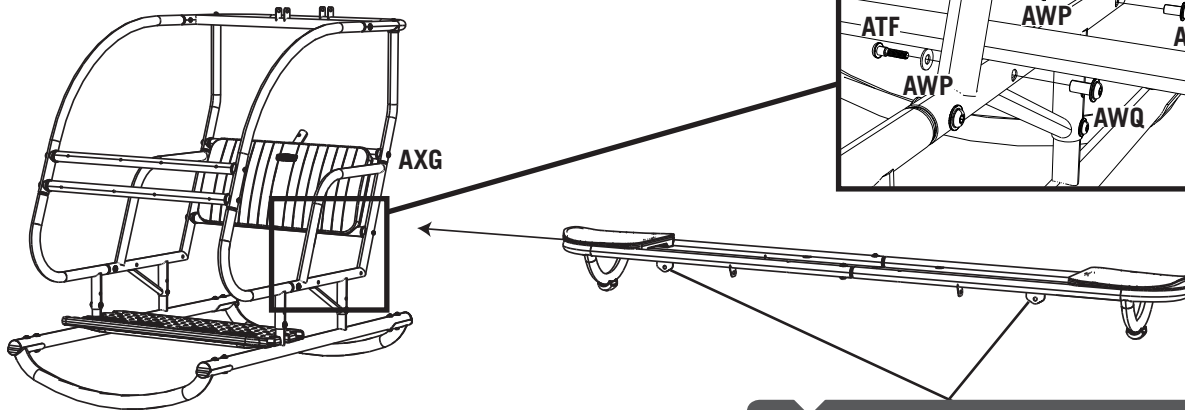


3.

SEC

3.3

Slide the Left and Right Wings assembled in Sec 3.1 and 3.2 through the **Back Lower Fuselages (AXG)** as shown. Attach the Wing assembly to the Back Lower Fuselages with the hardware shown.



*Note: Do not tighten the hardware in this step until instructed.*

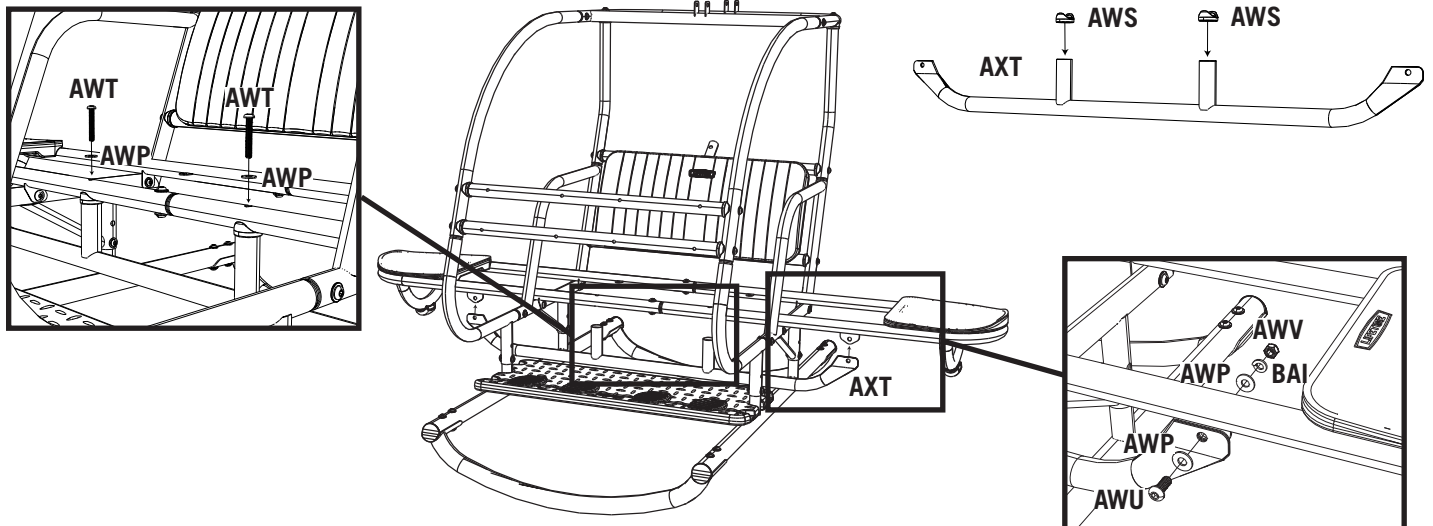


*Note: Make sure that the tabs on the Wings face towards the front of the Helicopter.*

SEC

3.4

Place two **Coped Caps (AWS)** on the tubes of the **Wing Support (AXT)** as shown. Attach the Wing Support to the tabs on the Wing Assembly with the hardware shown. Then attach the Wing Support to the middle of the Wing assembly with the hardware shown.



*Note: Before moving to the next step, make sure to securely tighten all Fuselage and Wing Assembly hardware except for the hardware connecting the Dashboard Mounts (AXD) to the Side Fuselages in Sec 2.8.*

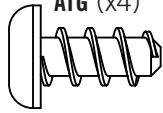


## TOOLS AND HARDWARE REQUIRED FOR THIS PAGE

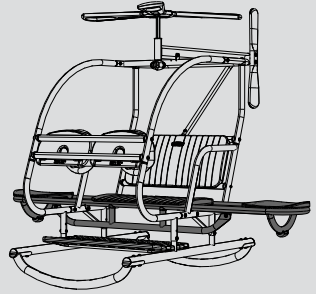
ASN (x1)



ATG (x4)



SEC 3



3.

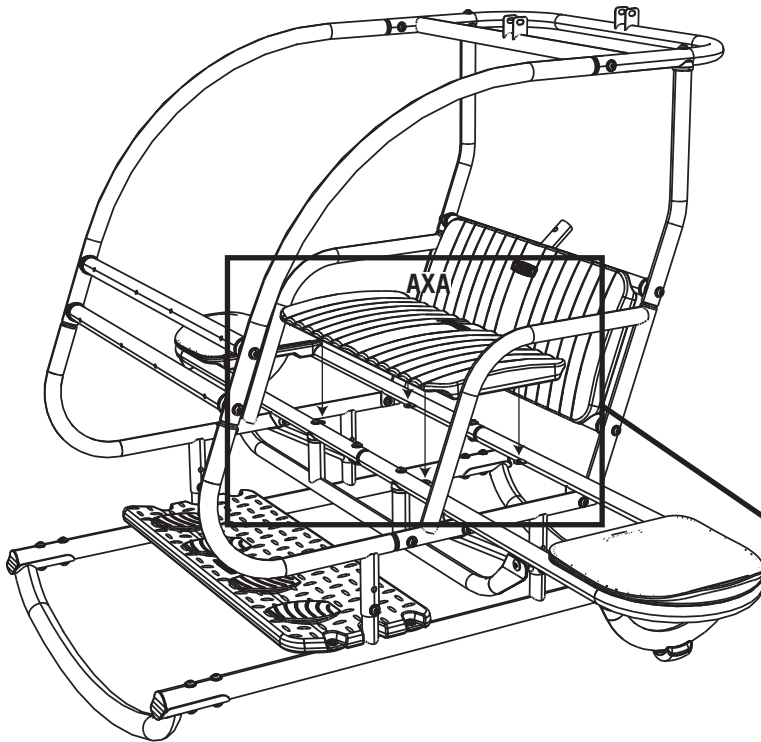
SEC

3.4

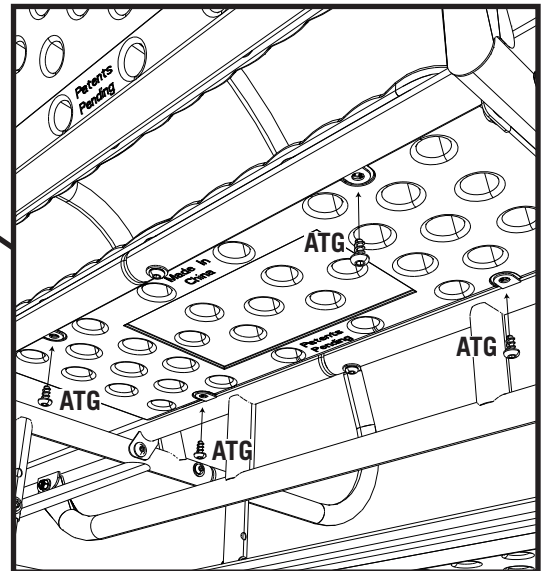
Secure the **Bench Seat (AXA)** to the Wing Assembly with the hardware shown.



*Note: Make sure that the Lifetime Logo on the Bench Seat is oriented towards the back of the Helicopter as shown.*



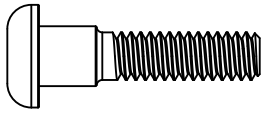
*Note: The Helicopter Assembly may need to be tipped on its back to perform this step.*



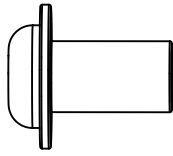
# SEC 4 TAIL ASSEMBLY

## HARDWARE REQUIRED

Hardware shown at Actual Size

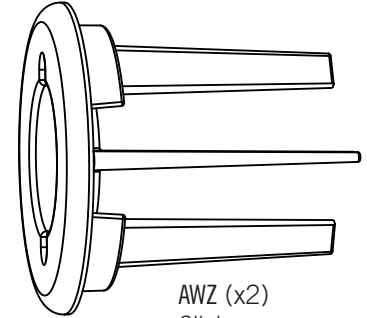
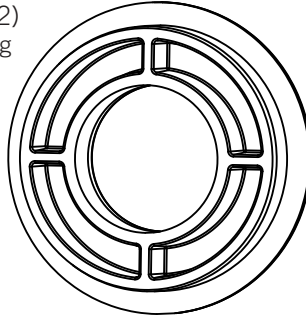


**ATF (x3)**  
1/4"-20 x 1.15" Long Bolt

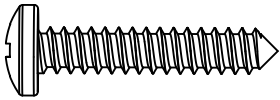


**AWQ (x3)**  
5/16" Barrel Nut

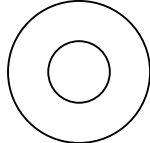
**AWY (x2)**  
Bushing



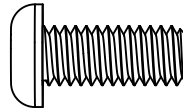
**AWZ (x2)**  
Clicker



**AWR (x1)**  
#14 x 1 1/4" Screw



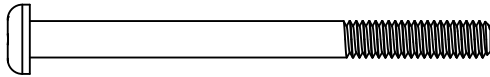
**AWP (x18)**  
Washer



**AWU (x8)**  
5/16" x 3/4" Button Head Bolt



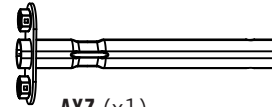
**AWV (x6)**  
5/16" Nylock Nut



**AWW (x2)**  
#10-24 x 2.40" Phillips Pan Head Bolt



**AWX (x2)**  
#10-24 Nylock Nut



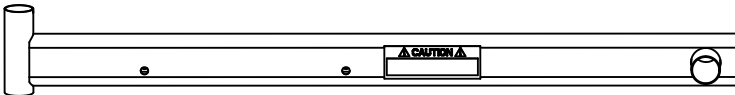
**AXZ (x1)**  
Tail Propeller Shaft  
(20% of Actual Size)



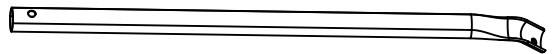
**AYB (x4)**  
Propeller Handle  
(20% of Actual Size)

## PARTS REQUIRED

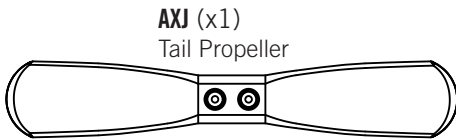
Parts shown at 10% of Actual Size



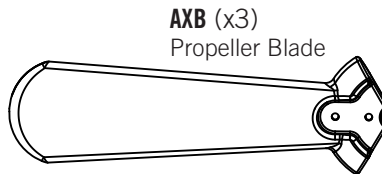
**AXM (x1)**  
Tail Section



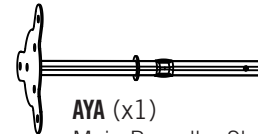
**AXL (x1)**  
Tail Support



**AXJ (x1)**  
Tail Propeller

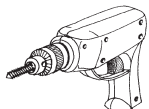


**AXB (x3)**  
Propeller Blade

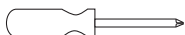


**AYA (x1)**  
Main Propeller Shaft

## TOOLS USED (NOT INCLUDED)



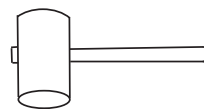
Power Drill



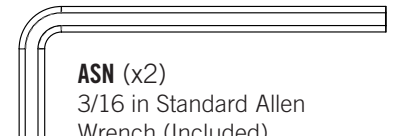
Screwdriver



1/2 in Wrench



Rubber Mallet



**ASN (x2)**  
3/16 in Standard Allen  
Wrench (Included)

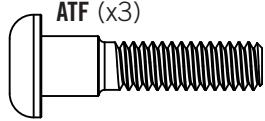


## TOOLS AND HARDWARE REQUIRED FOR THIS PAGE

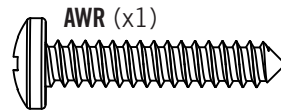
SEC 4



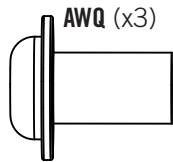
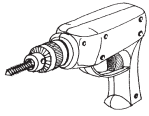
ASN (x2)



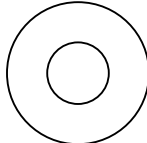
ATF (x3)



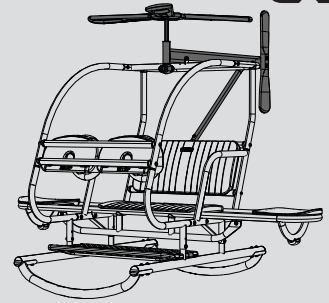
AWR (x1)



AWQ (x3)



AWP (x4)

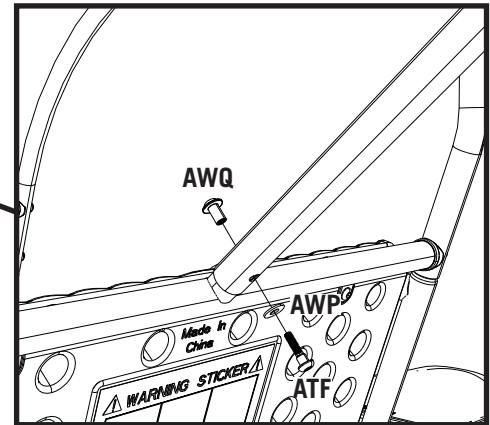
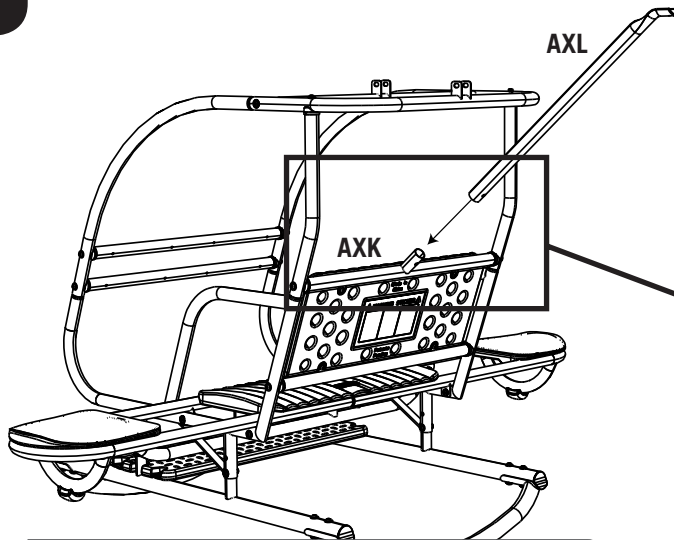


4.

SEC

4.1

Attach the **Tail Support (AXL)** to the **Upper Back Rest Support (AXK)** with the hardware shown.

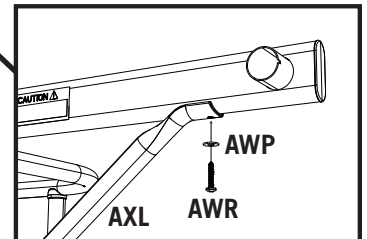
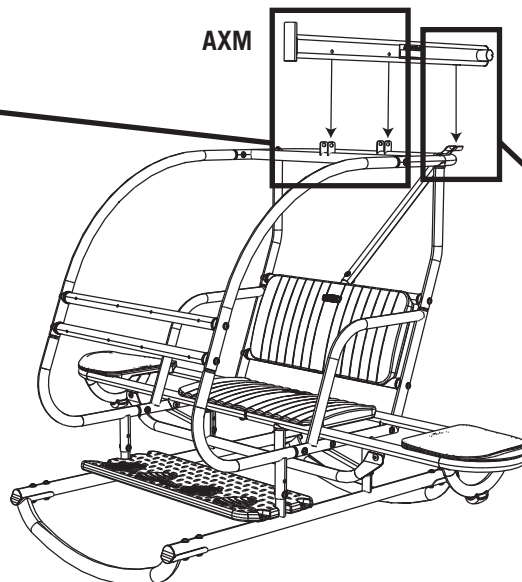
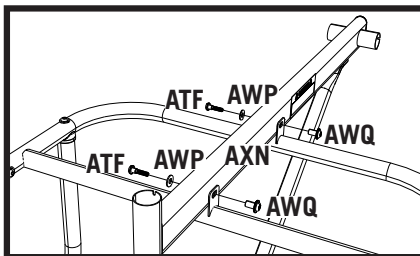


*Note: Do not tighten the hardware in this step until instructed.*

SEC

4.2

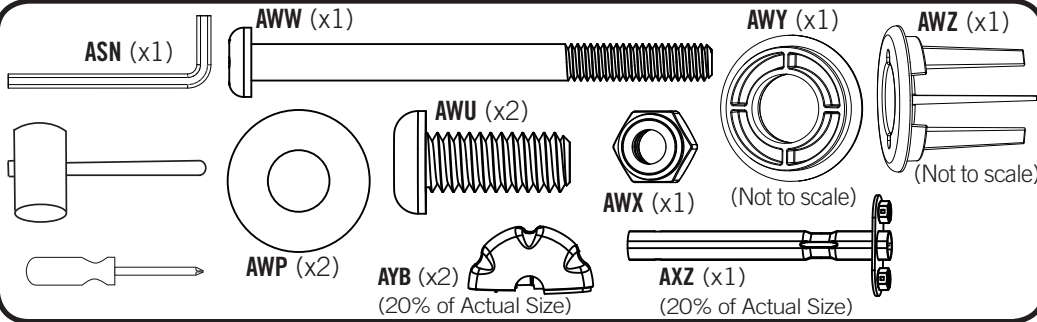
Attach the **Tail Section (AXM)** to the tabs on the **Top Fuselage (AXN)** with the hardware shown. Then attach the Tail Section to the **Tail Support (AXL)** with the hardware shown.



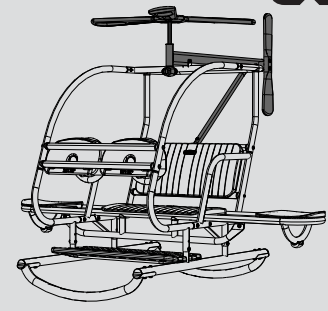
*Note: Securely tighten all of the hardware in this step and Sec 4.1 after all of the parts in this step have been attached.*



# TOOLS AND HARDWARE REQUIRED FOR THIS PAGE

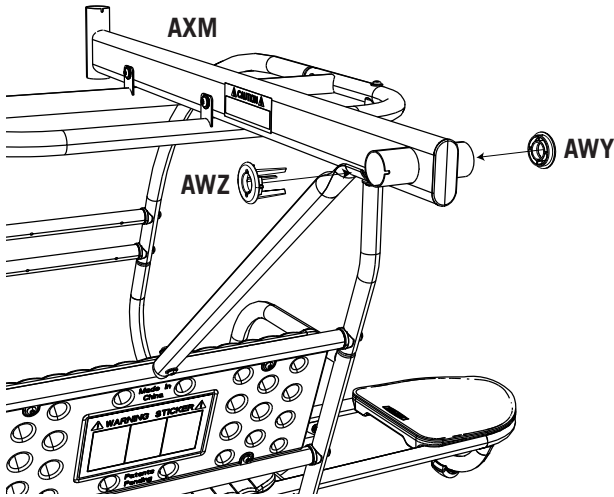


## SEC 4



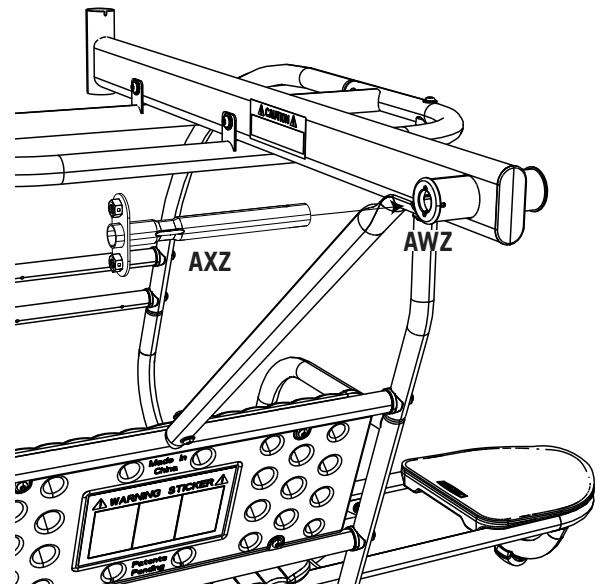
### SEC 4.3

Align the tab on the **Clicker (AWZ)** with the notch on the Propeller Mount of the **Tail Section (AXM)**, and insert the Clicker into the Propeller Mount as shown. Insert the **Bushing (AWY)** into the opposite side of the Propeller Mount as shown.



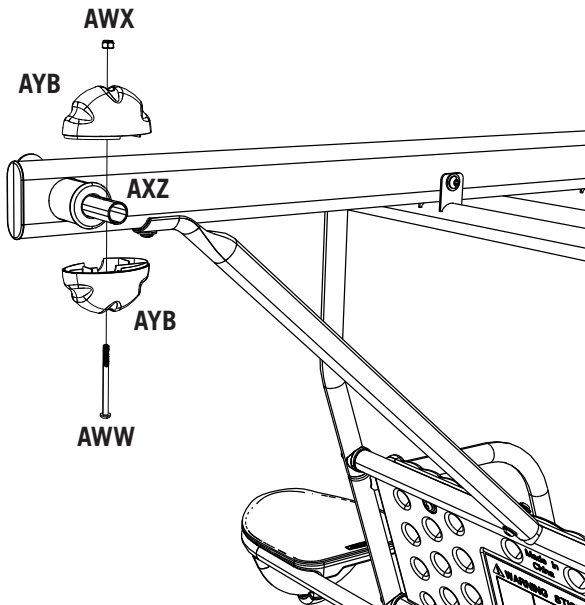
### SEC 4.4

Slide the **Tail Propeller Shaft (AXZ)** into the Propeller Mount on the same side as the **Clicker (AWZ)** as shown.



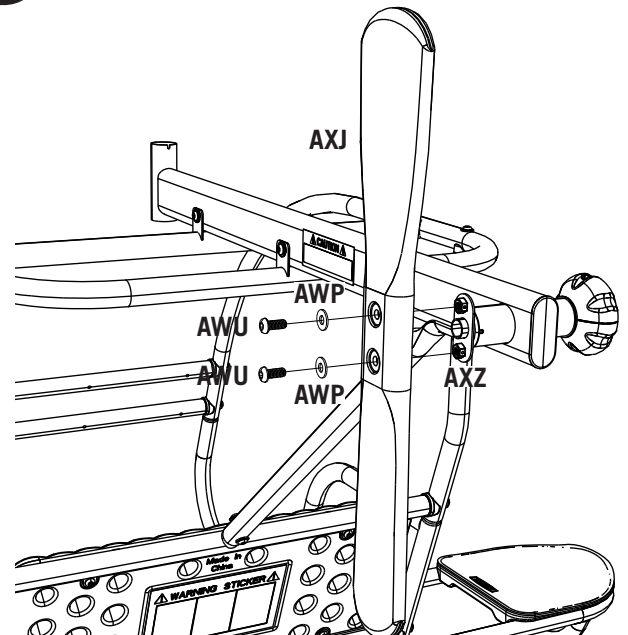
### SEC 4.5

Secure two halves of the **Propeller Handle (AYB)** on to the **Tail Propeller Shaft (AXZ)** with the hardware shown.



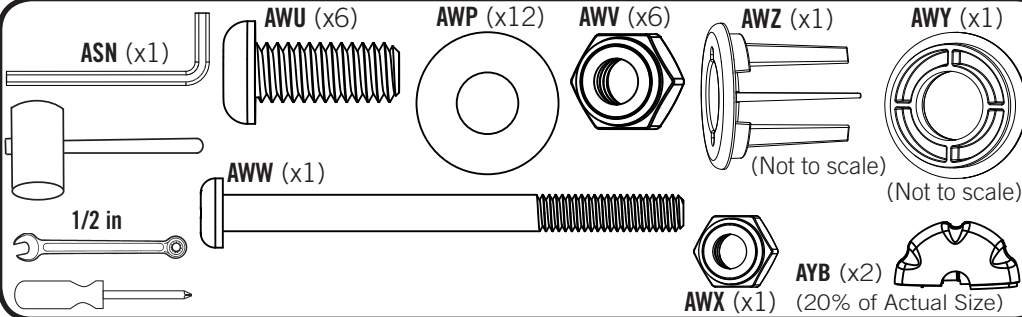
### SEC 4.6

Attach the **Tail Propeller (AXJ)** to the **Tail Propeller Shaft (AXZ)** with the hardware shown.

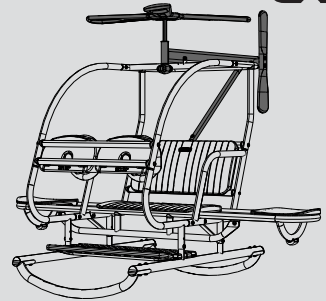




## TOOLS AND HARDWARE REQUIRED FOR THIS PAGE



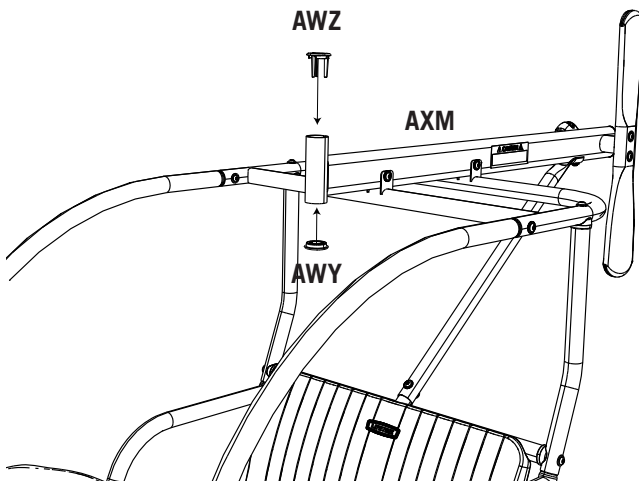
SEC 4



4.

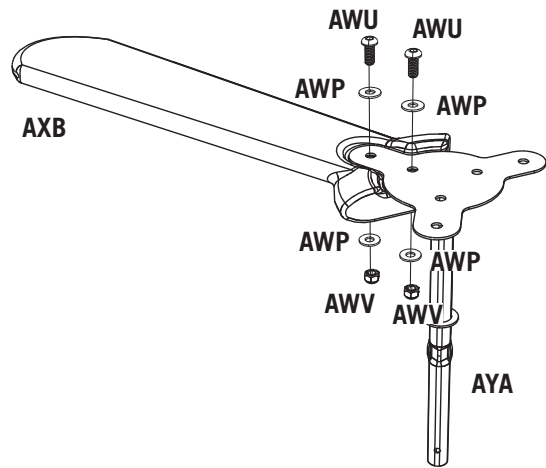
### SEC 4.7

Align the tab on the **Clicker (AWZ)** with the notch on the Main Propeller Mount of the **Tail Section (AXM)**, and insert the Clicker into the Propeller Mount as shown. Insert the **Bushing (AWY)** into the opposite side of the Main Propeller Mount as shown.



### SEC 4.8

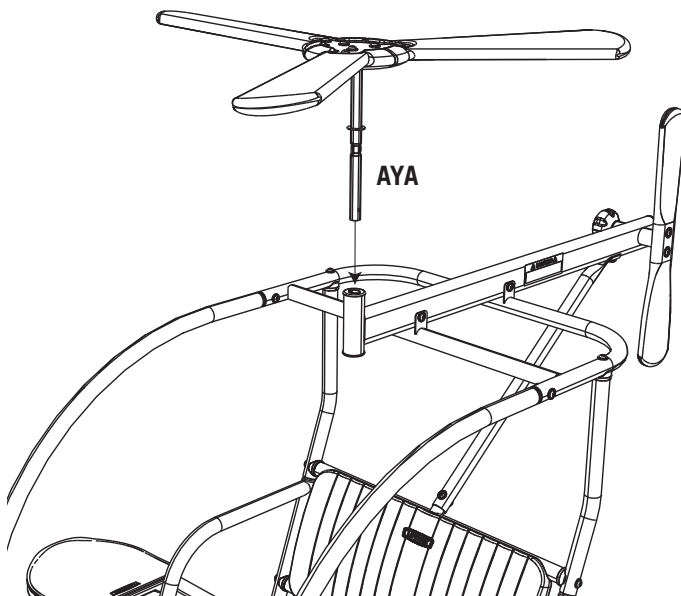
Attach a **Propeller Blade (AXB)** to the **Main Propeller Shaft (AYA)** with the hardware shown.



**!** Note: Repeat this step to assemble the remaining Propeller Blades to the Main Propeller Shaft.

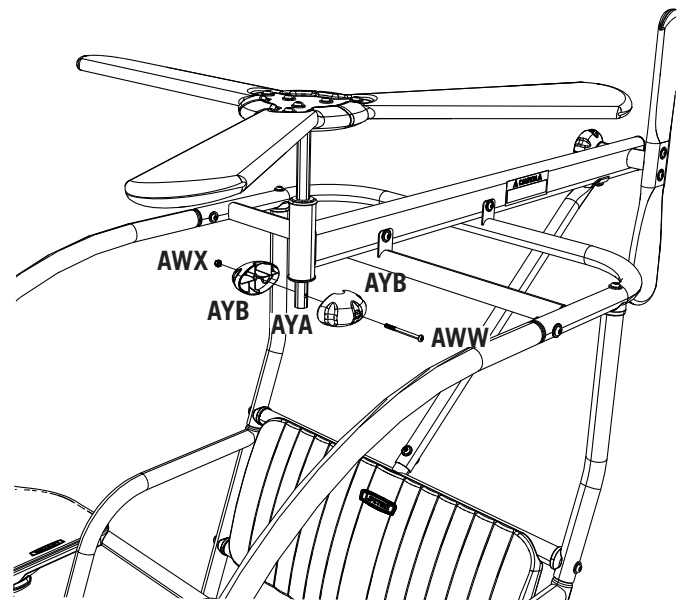
### SEC 4.9

Slide the **Main Propeller Shaft (AYA)** into the Main Propeller Mount as shown.



### SEC 4.10

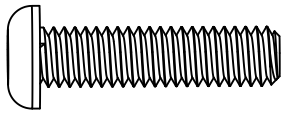
Secure two halves of the **Propeller Handle (AYB)** on to the **Main Propeller Shaft (AYA)** with the hardware shown.



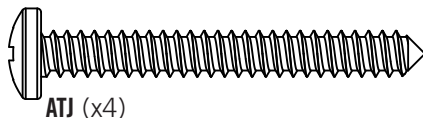
# 5 DASHBOARD ASSEMBLY

## HARDWARE REQUIRED

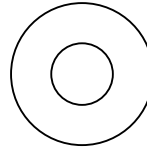
Hardware shown at Actual Size



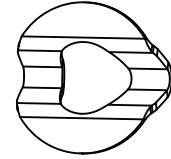
**AYE** (x2)  
5/16" x 1 1/4" Bolt



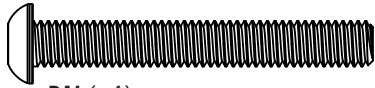
**ATJ** (x4)  
#14 x 2" Screw



**AWP** (x6)  
Washer



**ATK** (x2)  
Formed Washer

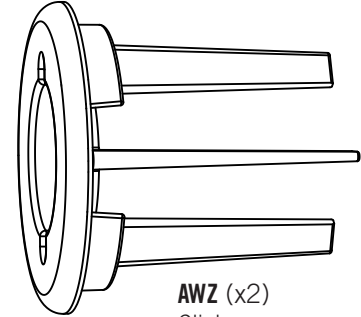
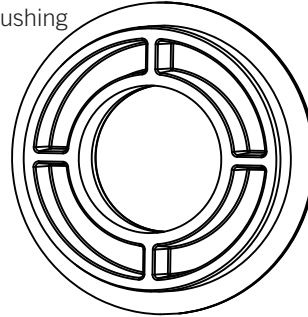


**BAJ** (x4)  
M6 x 45 Bolt

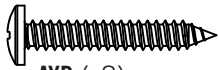


**BAK** (x4)  
M6 Nut

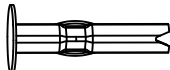
**AWY** (x4)  
Bushing



**AWZ** (x2)  
Clicker



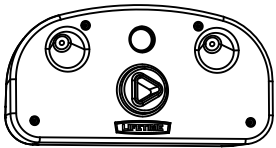
**AYR** (x8)  
#8 x 1" Screw



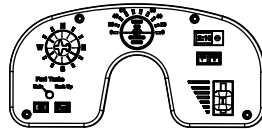
**AYC** (x2)  
Steering Wheel Shaft  
(20% of Actual Size)

## PARTS REQUIRED

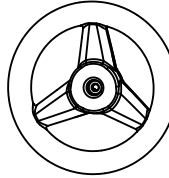
Parts shown at 10% of Actual Size



**AXE** (x2)  
Dashboard Base

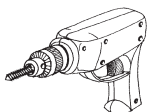


**AXC** (x2)  
Dashboard

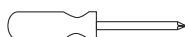


**AXW** (x2)  
Steering Wheel

## TOOLS USED (NOT INCLUDED)



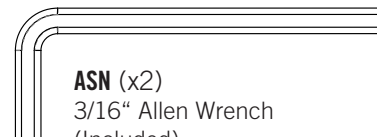
**Power Drill**



**Screwdriver**



**M10 Socket Wrench**

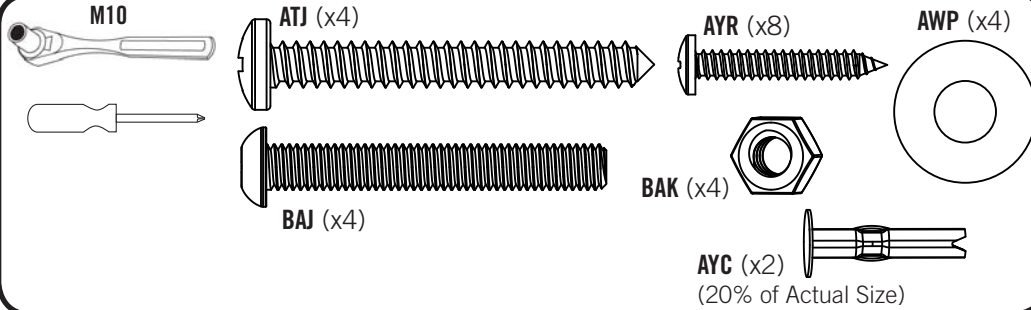


**ASN** (x2)  
3/16" Allen Wrench  
(Included)

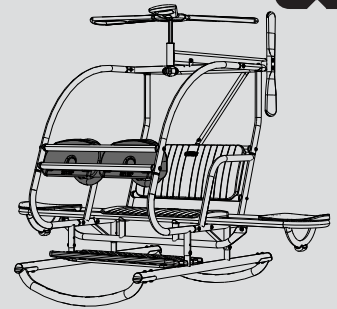
5.



## TOOLS AND HARDWARE REQUIRED FOR THIS PAGE



SEC 5

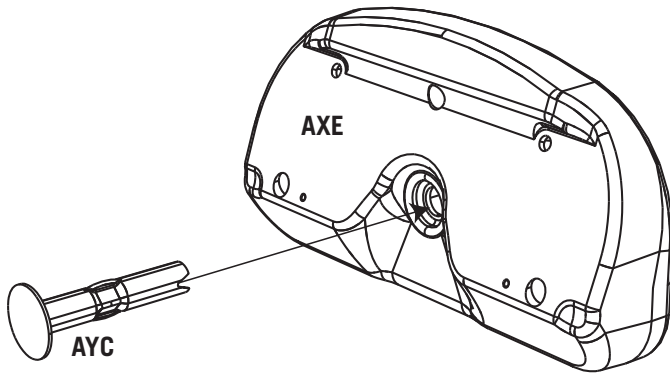


5.

SEC

5.1

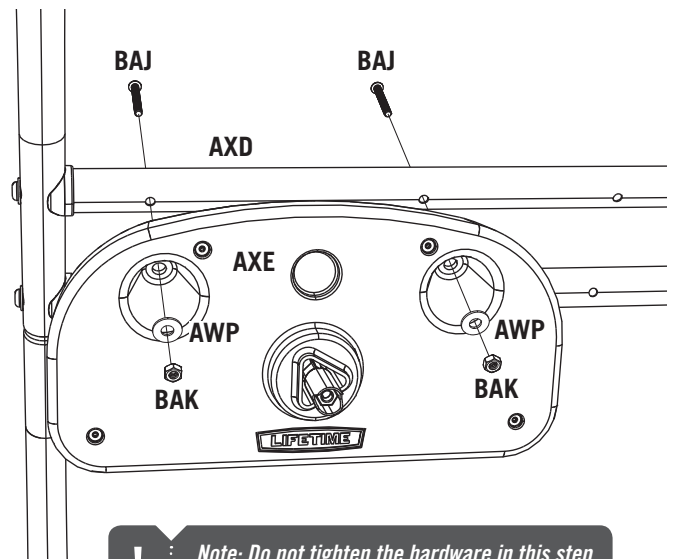
Insert the **Steering Wheel Shaft (AYC)** into the **Dashboard Base (AXE)** as shown.



SEC

5.2

Attach the **Dashboard Base (AXE)** to the top **Dashboard Mount (AXD)** with the hardware shown.

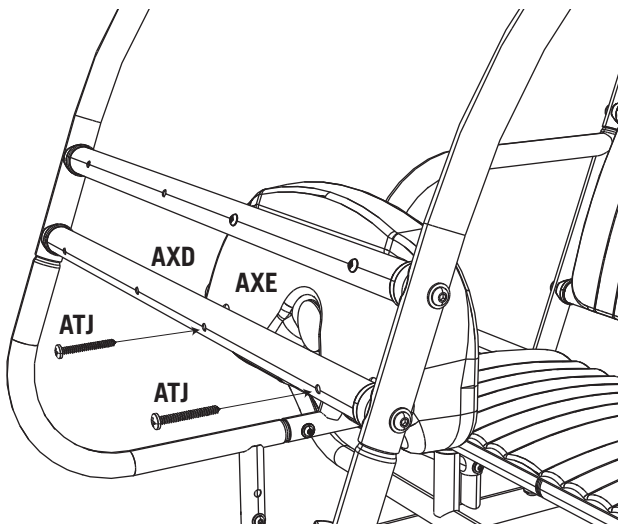


*Note: Do not tighten the hardware in this step until instructed.*

SEC

5.3

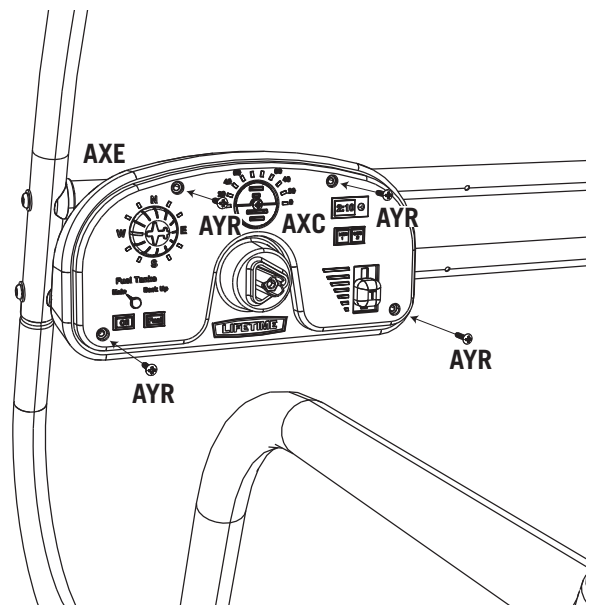
Secure the **Dashboard Base (AXE)** to the bottom **Dashboard Mount (AXD)** with the hardware shown.



SEC

5.4

Secure the **Dashboard (AXC)** to the **Dashboard Base (AXE)** with the hardware shown.



*Note: Only use a Screwdriver when attaching the Dashboard Base to the bottom Dashboard Mount. Tighten the hardware in Sec 5.2 before moving to the next step.*

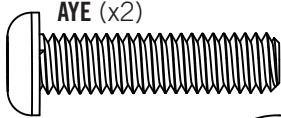


## TOOLS AND HARDWARE REQUIRED FOR THIS PAGE

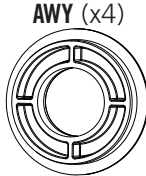
SEC 5



ASN (x1)

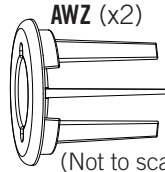


AYE (x2)



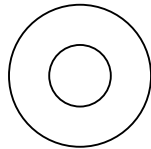
AWY (x4)

(Not to scale)

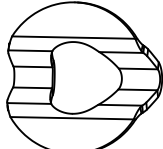


AWZ (x2)

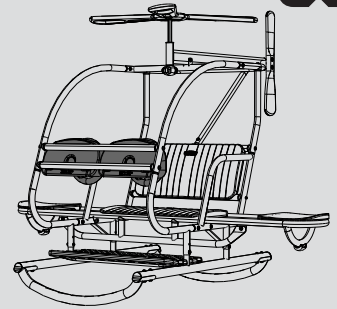
(Not to scale)



AWP (x2)



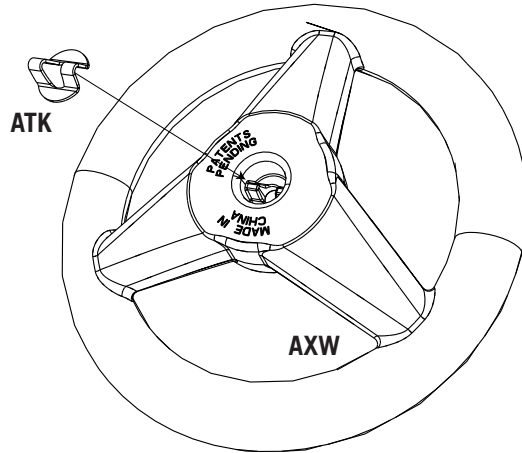
ATK (x2)



SEC

5.5

Place the **Formed Washer (ATK)** into the hole on the backside of the **Steering Wheel (AXW)** as shown.



5.

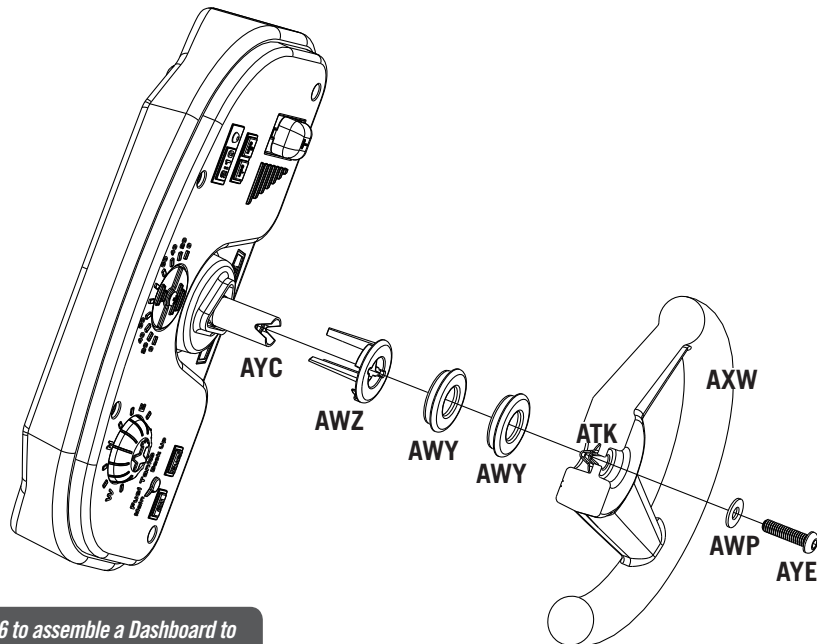


*Note: Make sure the Formed Washer is aligned over the nubs, and fits tight enough in the Steering Wheel that it will not fall out.*

SEC

5.6

Attach the **Steering Wheel (AXW)** to the **Steering Wheel Shaft (AYC)** with the hardware shown. Have one adult hold the Steering Wheel Shaft and Steering Wheel, while the other adult tightens the hardware. Make sure to align the notch of the **Formed Washer (ATK)** with the notch on the Steering Wheel Shaft as shown below.



*Note: Repeat Sec 5.1 through 5.6 to assemble a Dashboard to the other side of the Dashboard Mounts (AXD).*



*Note: Make sure all hardware has been securely tightened once the assembly process has been completed.*

***If the warning stickers are illegible, destroyed, or removed, contact Customer Service for a replacement.***



Part #1045438



**WARNING**



**ADVERTENCIA**



**AVERTISSEMENT**



This product is intended for use by children ages 3 to 10. Do not install over concrete, asphalt, packed earth, or any other hard surface. A fall onto a hard surface can result in serious injury.

*Observing the following statements and warnings reduces the likelihood of serious or fatal injury:*

- On-site adult supervision should be provided for children of all ages.
- Children should not walk close to, in front of, behind, or between moving items.
- Do not use the equipment in a manner other than intended.
- Do not get off equipment while it is in motion.
- To prevent entanglement and strangulation, use well-fitting shoes and avoid ponchos, scarves, jackets with neck drawstrings, helmets with straps, and other loose-fitting clothing that is potentially hazardous while using equipment.
- Do not climb when the equipment is wet.
- Do not attach items to the playground equipment that are not specifically designed for use with the equipment, such as, but not limited to, jump ropes, clothesline, pet leashes, cables and chain as they may cause a strangulation hazard.

Este producto es para niños de 3 a 10 años de edad. No lo instale sobre concreto, asfalto, tierra empaquetada o cualquier otra superficie dura. La caída sobre una superficie dura podría ocasionar serias lesiones.

*Si se presta atención a los siguientes enunciados y avisos de advertencia se reduce la probabilidad de producirse lesiones serias o mortales:*

- Los niños de todas las edades deben estar bajo la supervisión de un adulto en el lugar.
- Los niños no deben caminar junto, en frente, detrás de o entre las piezas móviles.
- No use el equipo de una forma distinta para la cual está diseñado.
- No se baje del equipo en movimiento.
- Para prevenir enredos y estrangulación, vista a los niños correctamente con calzado adecuado y evite el uso de ponchos, bufandas, chaquetas con cordeles para el cuello, cascos con correas y otro tipo de ropa holgada que sea potencialmente peligrosa durante el uso del equipo.
- No se suba al equipo cuando éste mojado.
- No fije al equipo de patio de juegos elementos que no estén específicamente diseñados para ello, como por ejemplo cuerdas para saltar, tendedores para ropa, correas de mascotas, cables y cadenas, etc., pues revisten un peligro de estrangulación.

Ce produit est conçu pour un usage par des enfants âgés de 3 à 10 ans. Ne pas installer sur du béton, de l'asphalte, de la terre compactée ou toute autre surface dure. Une chute sur une surface dure peut entraîner des blessures graves.

*L'observation des déclarations et des avertissements suivants réduit les risques de blessures graves ou fatales:*

- La présence d'un adulte surveillant les enfants de tous âges doit être assurée.
- Veiller à ce que les enfants ne marchent pas près, devant, derrière ou entre les éléments en mouvement.
- Ne pas utiliser l'équipement à d'autres fins que pour l'usage prévu.
- Ne pas descendre de l'équipement lorsqu'il est en mouvement.
- Pour éviter l'emmêlement des cordes et des chaînes et ainsi éviter tout risque d'étranglement, veillez à habiller les enfants correctement. Chaussez des souliers bien adaptés. Ne mettez pas de ponchos, de foulards / écharpes ou de blousons avec des cordons près du cou, ni de casques avec des sangles et tout autre vêtement ample pouvant potentiellement s'avérer dangereux lors de l'utilisation de l'équipement.
- Ne pas monter sur l'équipement lorsque celui-ci est mouillé.
- Ne pas attacher d'objets sur l'équipement de jeu non spécifiquement conçus pour celui-ci, tels que, mais sans s'y limiter, des cordes à sauter, des cordes à linge, des laisses d'animaux, des câbles et des chaînes. Ceux-ci posent un risque d'étranglement.

Lifetime Products, Inc. Clearfield, UT 84016

[www.lifetime.com](http://www.lifetime.com)

9/23/2008 # 1047500

Part #1047500

*NOTES:*

*NOTES:*

**ENHANCE YOUR LIFETIME® PURCHASE BY ADDING ACCESSORIES OR OTHER GREAT PRODUCTS:**

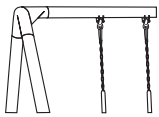
---

*To purchase accessories or other Lifetime Products, visit us at:*

***www.lifetime.com***

***Or call: 1-800-424-3865***

---



## **WARRANTY INFORMATION**

### **LIFETIME PLAYGROUND EQUIPMENT**

#### **1-YEAR LIMITED FACTORY WARRANTY\***

**THE MANUFACTURER RESERVES THE RIGHT TO MAKE SUBSTITUTIONS TO WARRANTY CLAIMS IF PARTS ARE UNAVAILABLE OR OBSOLETE.**

1. Lifetime Playground systems are warranted to the original purchaser to be free from defects in material or workmanship for a period of one year from the date of original retail purchase. The word “defects” is defined as imperfections that impair the use of the product. Defects resulting from misuse, abuse or negligence will void this warranty. This warranty does not cover defects due to improper installation, alteration or accident. This warranty does not cover damage caused by vandalism, rusting, “acts of nature” or any other event beyond the control of the manufacturer.
2. This warranty is nontransferable and is expressly limited to the repair or replacement of defective playground equipment. If the equipment is defective within the terms of this warranty, Lifetime Products, Inc. will repair or replace defective parts at no cost to the purchaser. Shipping charges to and from the factory are not covered and are the responsibility of the purchaser. Labor charges and related expenses for removal, installation or replacement of the playground system or its components are not covered under this warranty.
3. This warranty does not cover scratching or scuffing of the product that may result from normal usage. In addition, defects resulting from intentional damage, negligence, unreasonable use or hanging from the net or rim will void this warranty.
4. Liability for incidental or consequential damages is excluded to the extent permitted by law. While every attempt is made to embody the highest degree of safety in all equipment, freedom from injury cannot be guaranteed. The user assumes all risk of injury resulting from the use of this product. All merchandise is sold on this condition, and no representative of the company may waive or change this policy.
5. This product is not intended for institutional or commercial use; Lifetime Products, Inc. does not assume any liability for such use. Institutional or commercial use will void the warranty.
6. This warranty is expressly in lieu of all other warranties, expressed or implied, including warranties of merchantability or fitness for use to the extent permitted by Federal and state law. Neither Lifetime Products, Inc., nor any representative assumes any other liability in connection with this product. This warranty gives you specific legal rights, and you may also have other rights which vary from state to state.

**ALL WARRANTY CLAIMS MUST BE ACCOMPANIED BY A SALES RECEIPT.**

**REPORT PRODUCT DEFECTS IN WRITING TO:**

Lifetime Products, Inc., PO Box 160010 Clearfield, UT 84016-0010 or call (800) 225-3865 M-F 7 a.m. to 5 p.m. MST.

Please include your dated sales receipt and photographs of damaged parts.

**Save this owner’s manual for future reference and in the event that the manufacturer has to be contacted.**

To register the product, visit our Web site at [www.lifetime.com](http://www.lifetime.com)



[www.lifetime.com](http://www.lifetime.com)

\*Warranty is only valid in the United States.